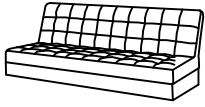

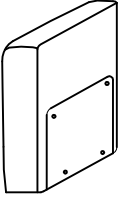
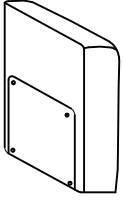
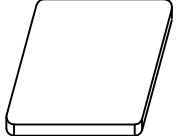
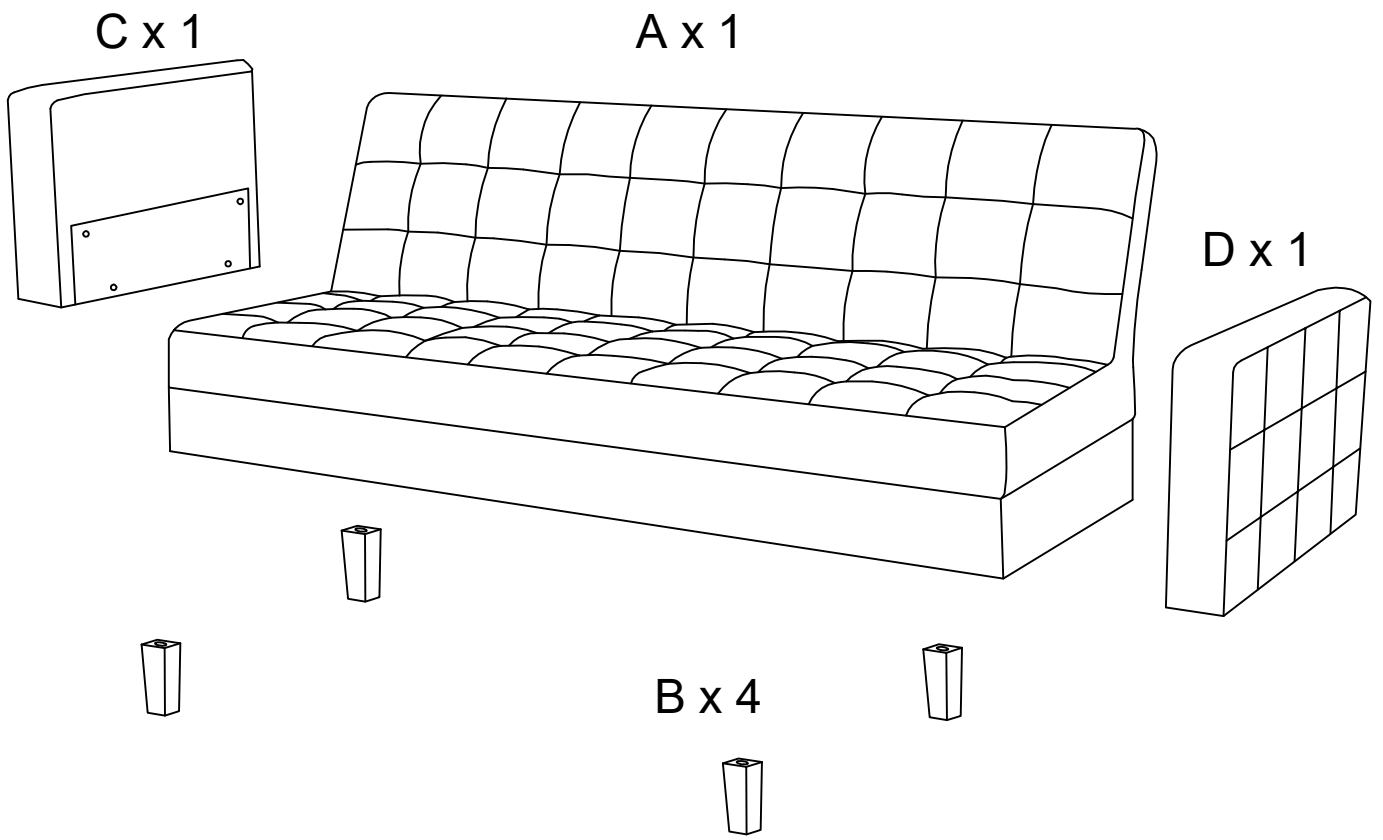
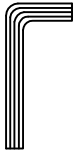
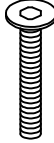
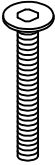
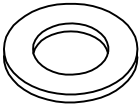
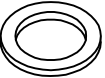


Diagram illustrating assembly instructions and safety warnings:

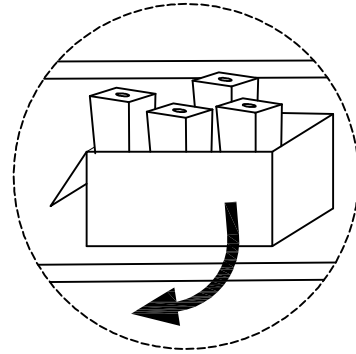
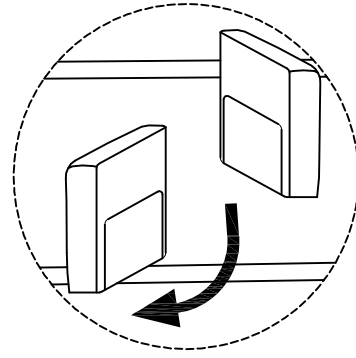
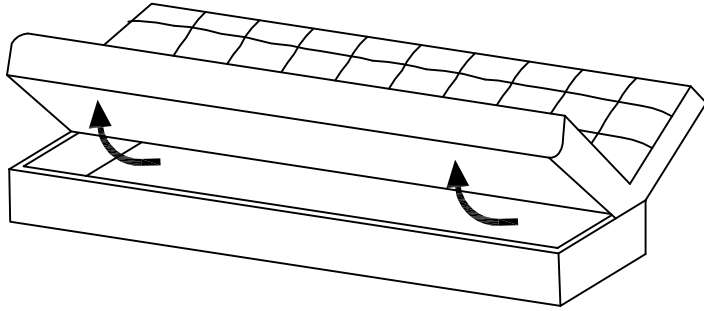
- Warning 1:** A warning triangle with an exclamation mark is positioned above a box containing:
 - A circular icon showing an L-shaped metal bracket.
 - An icon of a power drill with a diagonal line through it, indicating that a power drill should not be used.
- Warning 2:** A second warning triangle with an exclamation mark is positioned above a box containing:
 - A circular icon showing a rectangular block being placed on a textured surface.
 - An icon of a rectangular block with a diagonal line through it, indicating that the block should not be placed on a soft or uneven surface.
- Time:** A clock icon is shown next to the text "30'", indicating an estimated assembly time of 30 minutes.
- Person:** An icon of a person is shown next to the number "1", indicating that one person is required for assembly.

A	B	C	D	E
				
x 1	x 4	x 1	x 1	x 4

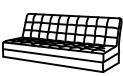
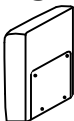


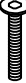
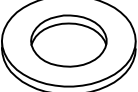


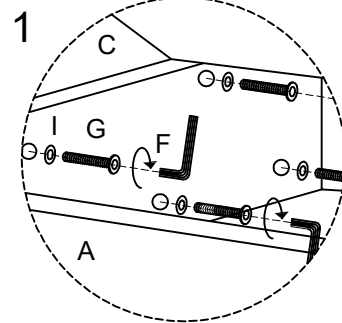
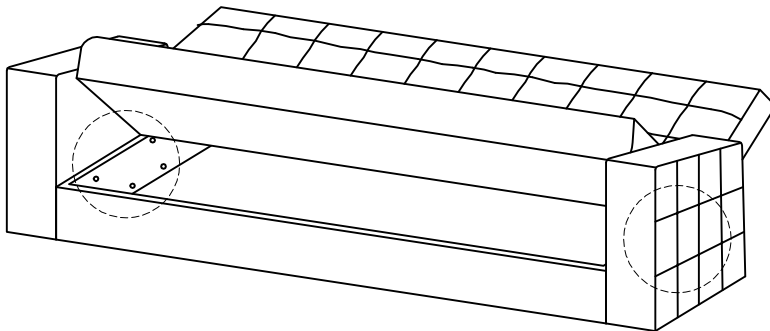
F	G	H	I	J
				
x 1	x 8	x 4	x 8	x 4

!

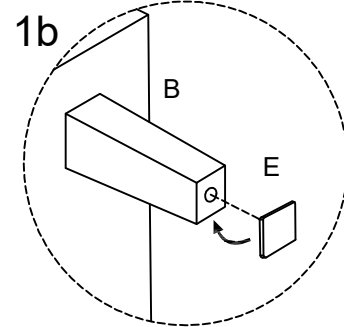
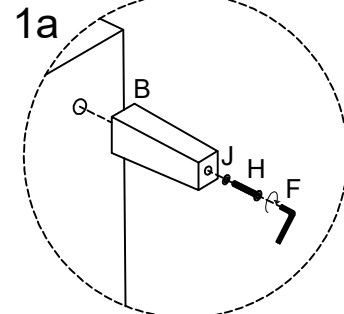
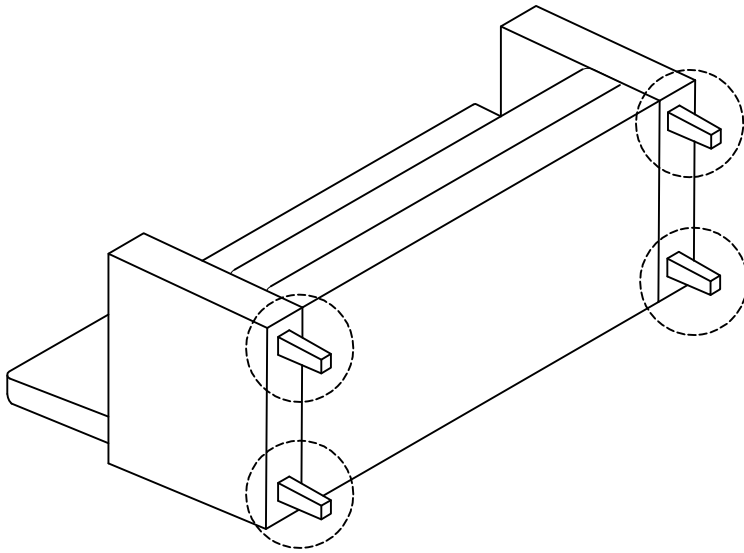
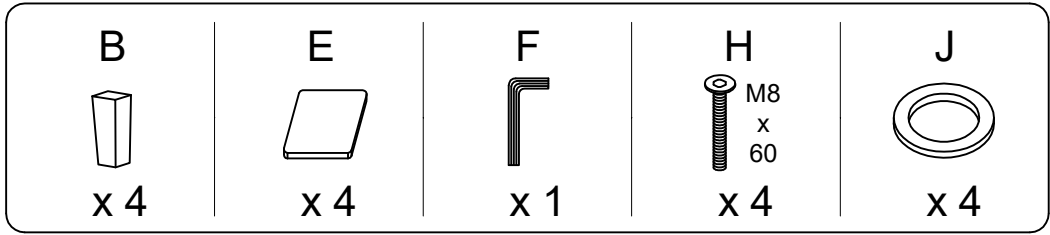


1

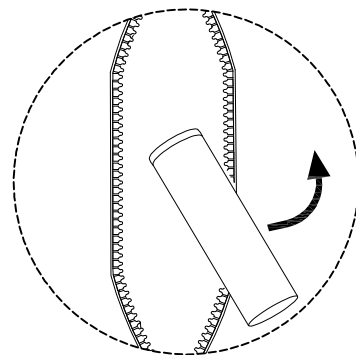
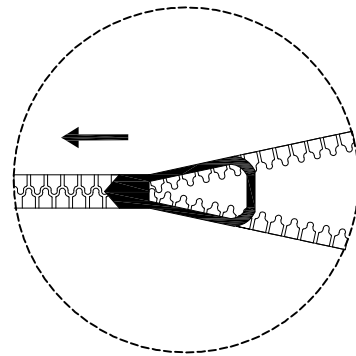
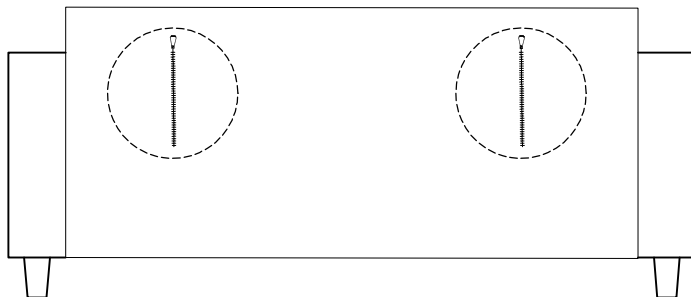
A  x 1	C  x 1	D  x 1	F  x 1	G  M8 x 45 x 8	I  x 8
--	--	--	---	---	--



2



3



4

