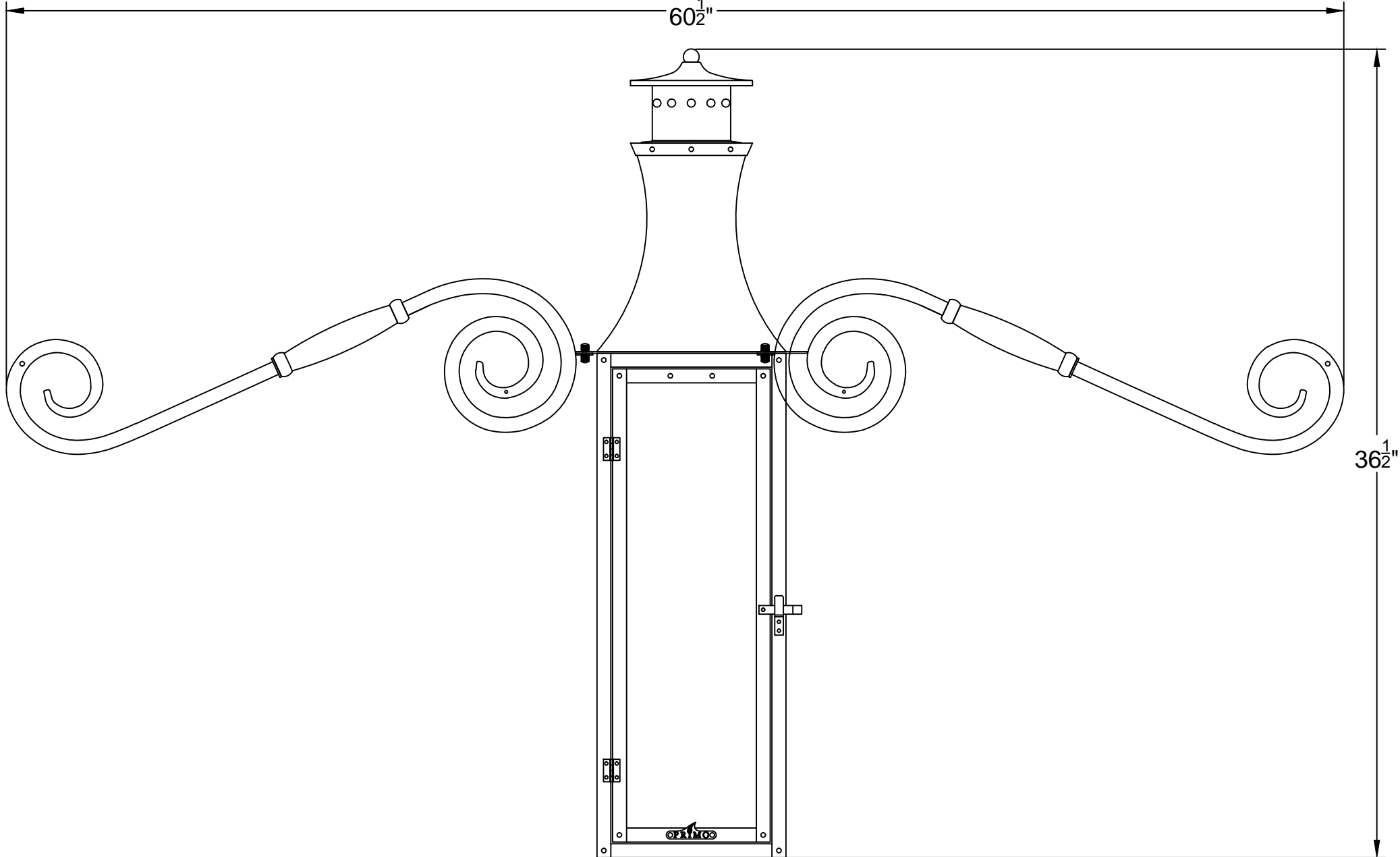


BP-36

60<sup>1</sup>/<sub>2</sub>"



36<sup>1</sup>/<sub>2</sub>"

MU