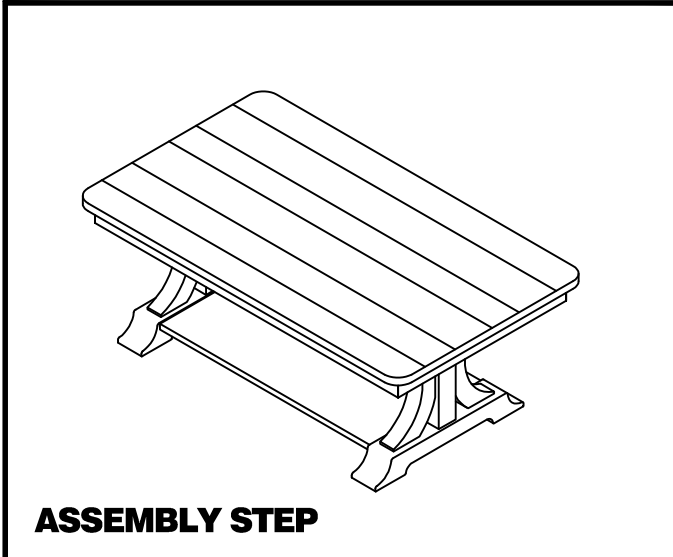


FURNITURE

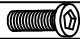



ASSEMBLY INSTRUCTION

DESCRIPTION Rectangular Cocktail Table




Thank you for purchasing this quality product. Be sure to check all packing material carefully for small parts which may have come loose inside the carton during shipment. Identify and count all parts and compare with the parts list below:

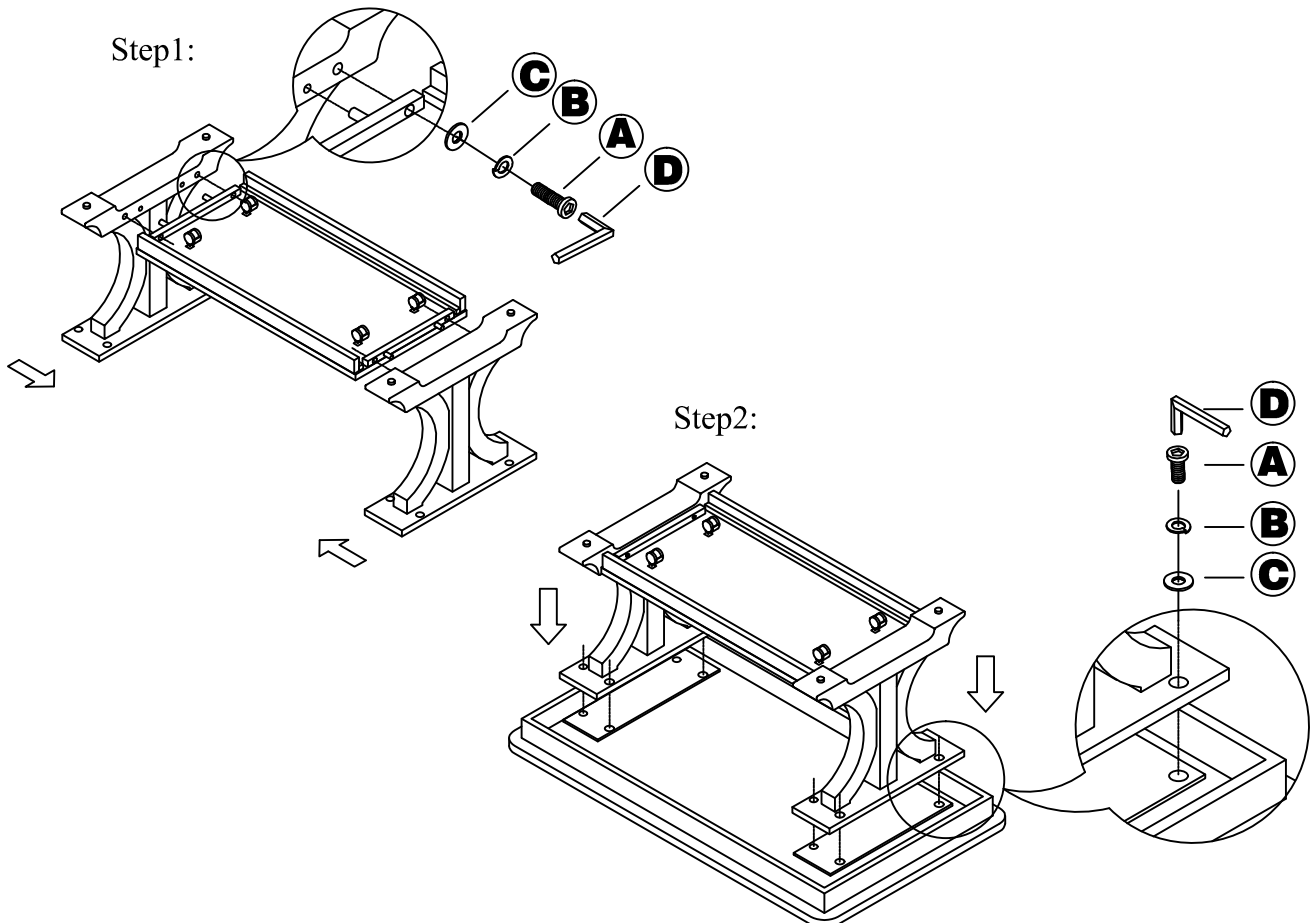


HARDWARE LIST

NO.	SKETCH	HARDWARE	Q'TY
A		Bolt 5/16" x 1-1/2"	12 pcs
B		Spring Washer 5/16"	12 pcs
C		Flat Washer 5/16" x 19mm	12 pcs
D		Allen Key 5mm	1 pc

PARTS LIST

NO.	SKETCH	PART	Q'TY
①		Top	1 pc
②		Leg Frame	2 pcs
③		Bottom panel	1 pc



NOTE: DO NOT TIGHTEN ALL THE BOLTS UNTIL THEY ARE INSTALLED IN CORRESPONDING HOLES!