

LED WALLPACK

SPEC SHEET



Catalog No. : DAWN12-PC-3K-WH

Type : Wallpack

Project Name :

Location :

Qty :

Date :



Suitable for
Wet Locations



PROBRITE'S highly-efficient, maintenance-free LED Dusk to Dawn Slim Wall Pack Light provides an evenly distributed, inviting, and secure 3000K warm white light free of unsightly glare or 'hot-spots'. This Dual-Control Enabled light allows the user to choose between two operating modes: a Dusk to Dawn (automatic nighttime 'ON' and daytime 'OFF') mode or a manual switch-controlled operation.

APPLICATIONS

Perfect for entry ways, driveways, over doors, commercial buildings, hotels and wall perimeter security lighting.

PRODUCT PERFORMANCE AT A GLANCE

SYSTEM WATTAGE	LED WATTAGE	LUMENS	LPW	CRI	REPLACES METAL HALIDE
12W	11W	900 lm	75 lm/w	≥80	100W

HOUSING

Impact resistant UV-stabilized polycarbonate housing with UV-stabilized vandal-resistant polycarbonate frosted lens.

OPTICS

Diffused wide angle with nearly zero glare.

FINISH

Commercial grade, weather-resistant and UV-stabilized polycarbonate housing. Color is white.

IP RATING & LISTINGS

LED light engine is weather proof rated IP65.

cULus, FCC Certified

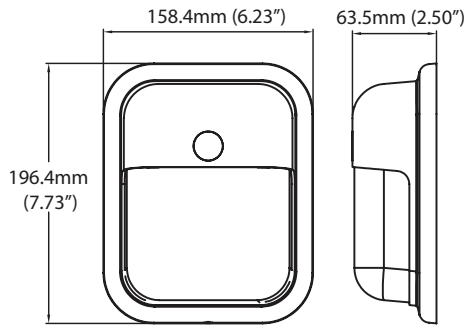
MOUNTING

Unit has a detachable mounting plate with hanging wire that allows for hands-free installation when making electrical connections.

WARRANTY

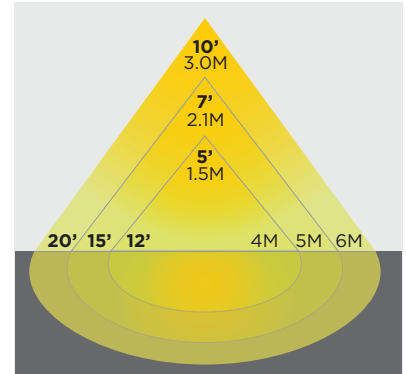
Fixture is covered by a 5-year limited warranty. See probrite.com/warranty for details.

PRODUCT LINE DRAWING



SUGGESTED MOUNTING HEIGHT:
6-12 FT.(1.8-3.7 M)

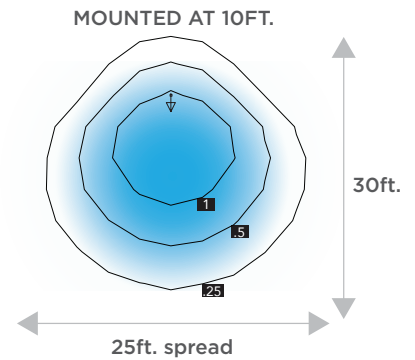
3D PHOTOMETRIC VIEW



PRODUCT SPECIFICATIONS

Product Dimensions	: 6.23" x 7.73" x 2.50"
Weight	: 1.21lbs
Lumens	: 900
System Wattage	: 12W
LED Wattage	: 11W
Efficacy	: 75
CRI	: 80
Replaces (Metal Halide)	: 100W
Replaces (Incandescent Bulb)	: 75W
Mounting	: Universal mounting plate
Frequency	: 50-60Hz
THD(Total Harmonic Distortion)	: <20%
PF(Power Factor)	: >0.9
Ambient Operating Temperature	: (-30) - 40°C
Input Voltage	: 120V
Photocell	: Yes
Driver	: Non-dimming
Standard Lifetime	: L70 >50,000hrs
Standard Warranty	: 5 Years
Water Proofing Grade	: Suitable for wet location
CCT	: 3000K
Certifications	: UL/cUL

2D PHOTOMETRIC VIEW



APPLICATION

