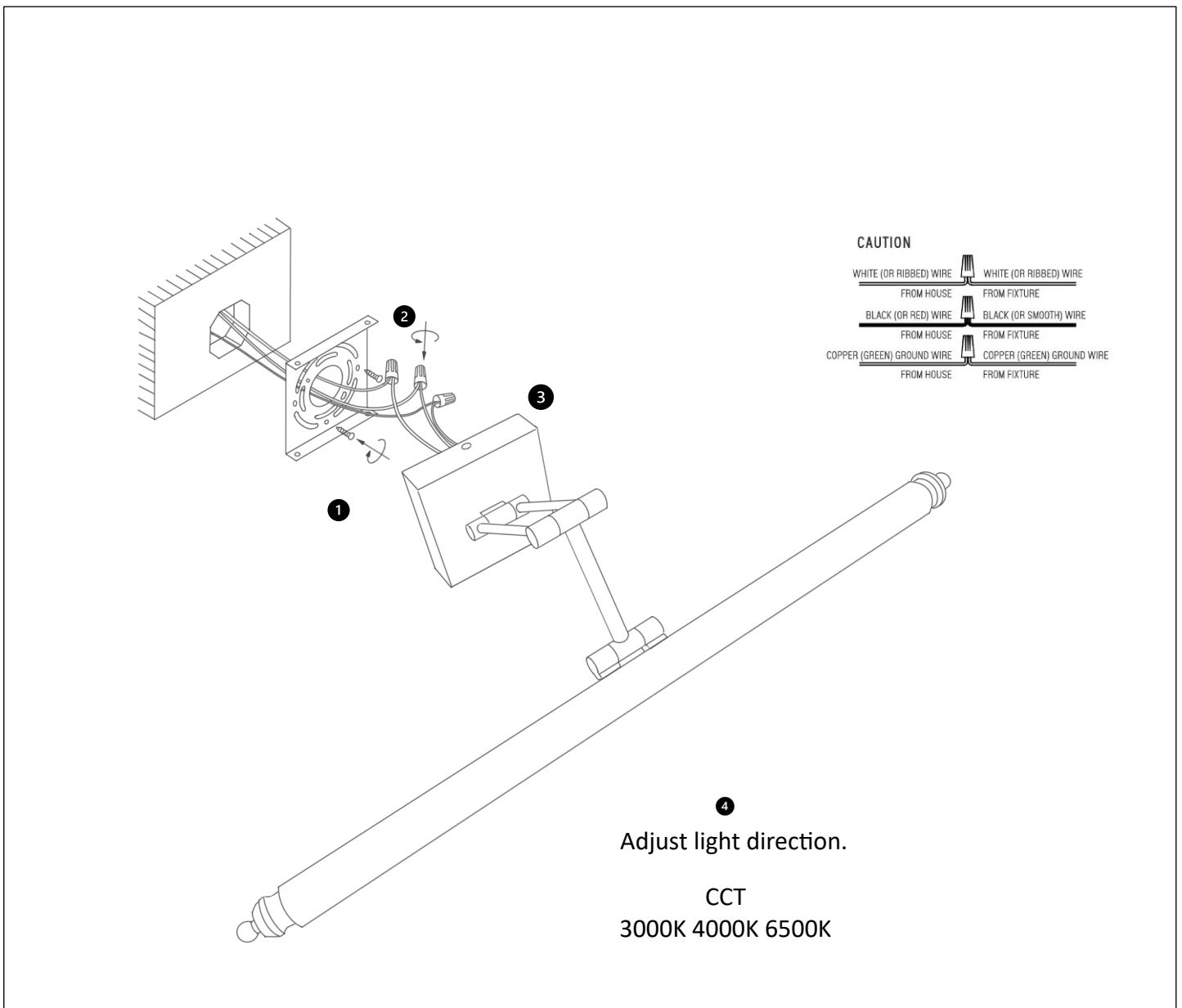


USER MANUAL

CAUTION

1. BE SURE THE ELECTRICITY TO THE WIRES YOU ARE WORKING ON IS SHUT OFF. EITHER THE FUSES IS REMOVED OR THE CIRCUIT BREAKER IS TURNED OFF. TURNING THE POWER OFF USING THE LIGHT SWITCH IS NOT SUFFICIENT TO PREVENT ELECTRICAL SHOCK.
2. DO NOT INSTALL OR USE THE LIGHT FIXTURE IF ANY PART IS MISSING OR DAMAGED. CONTACT YOUR DEALER FOR REPLACEMENT OR MISSING PARTS.
3. SOME METAL PARTS IN THE LIGHT FIXTURE MAY HAVE SHARP EDGES. TO PREVENT CUTS OR SCRAPES, WEAR GLOVES BEFORE INSTALLATION.
4. TO PROTECT THE FINISH. WEAR GLOVES BEFORE INSTALLATION. DO NOT USE CLEANSERS OR ABRASIVES DURING MAINTENANCE.
5. TO AVOID POSSIBLE FIRE OR ELECTRICAL SHOCK. MAKE SURE NO BARE WIRE STRANDS ARE EXPOSED OUTSIDE WIRE CONNECTORS.
6. IF IN DOUBT ABOUT ELECTRICAL INSTALLATION. CONSULT A LICENSED ELECTRICIAN.

INSTALLATION DIAGRAM



SPECIFICATIONS

MODEL	DIMENSION (MM)		
A	500	110	290
B	600	110	290

A

VOLTAGE	WATTAGE	LUMEN	CCT	CRI	DIMMABLE
108-135V	8W	640LM	3000K, 4000K, 6500K	>80	YES

B

VOLTAGE	WATTAGE	LUMEN	CCT	CRI	DIMMABLE
108-135V	12W	960LM	3000K, 4000K, 6500K	>80	YES

LIMITED WARRANTY

THE MANUFACTURER WARRANTS ALL ITS LIGHTNING FIXTURES AGAINST DEFECTS IN MATERIAL AND WORKMANSHIP FOR TWO YEARS FROM THE DATE OF PURCHASE. IF WITHIN THIS PERIOD, THE PRODUCT IS FOUND TO BE DEFECTIVE IN MATERIAL OR WORKMANSHIP. THE PRODUCT MUST BE RETURNED. WITH A COPY OF THE ORIGINAL SALES RECEIPT AS PROOF OF PURCHASE. THE MANUFACTURERS WILL, AT ITS OPTION, REPLACE OR REFUND THE ORIGINAL PURCHASE PRICE TO THE CONSUMER. THIS WARRANTY DOES NOT COVER FIXTURES BECOMING DEFECTIVE DUE TO MISUSE, ACCIDENTAL DAMAGE, IMPROPER HANDLING AND/OR INSTALLATION A SPECIFICALLY EXCLUDES LIABILITY FOR DIRECT, INCIDENTAL, OR CONSEQUENTIAL DAMAGES. AS SOME STATES DO NOT ALLOW EXCLUSIONS OR LIMITATIONS ON AN IMPLIED WARRANTY THE ABOVE EXCLUSION AND LIMITATION MAY NOT APPLY TO YOU. THIS WARRANTY GIVES YOU SPECIFIC LEGAL RIGHTS, AND YOU MAY HAVE THE OTHER RIGHTS THAT VARY FROM STATE TO STATE.