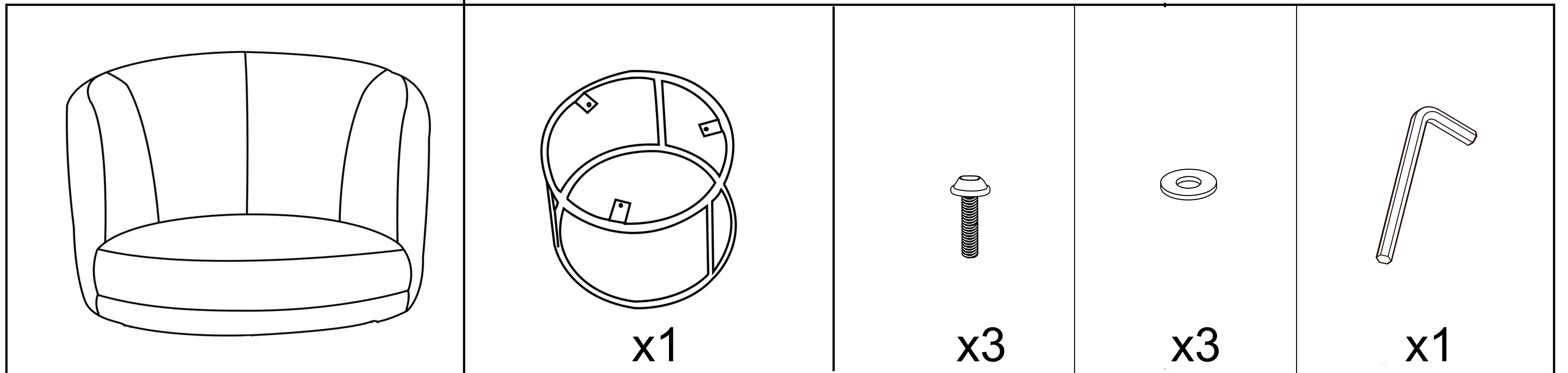
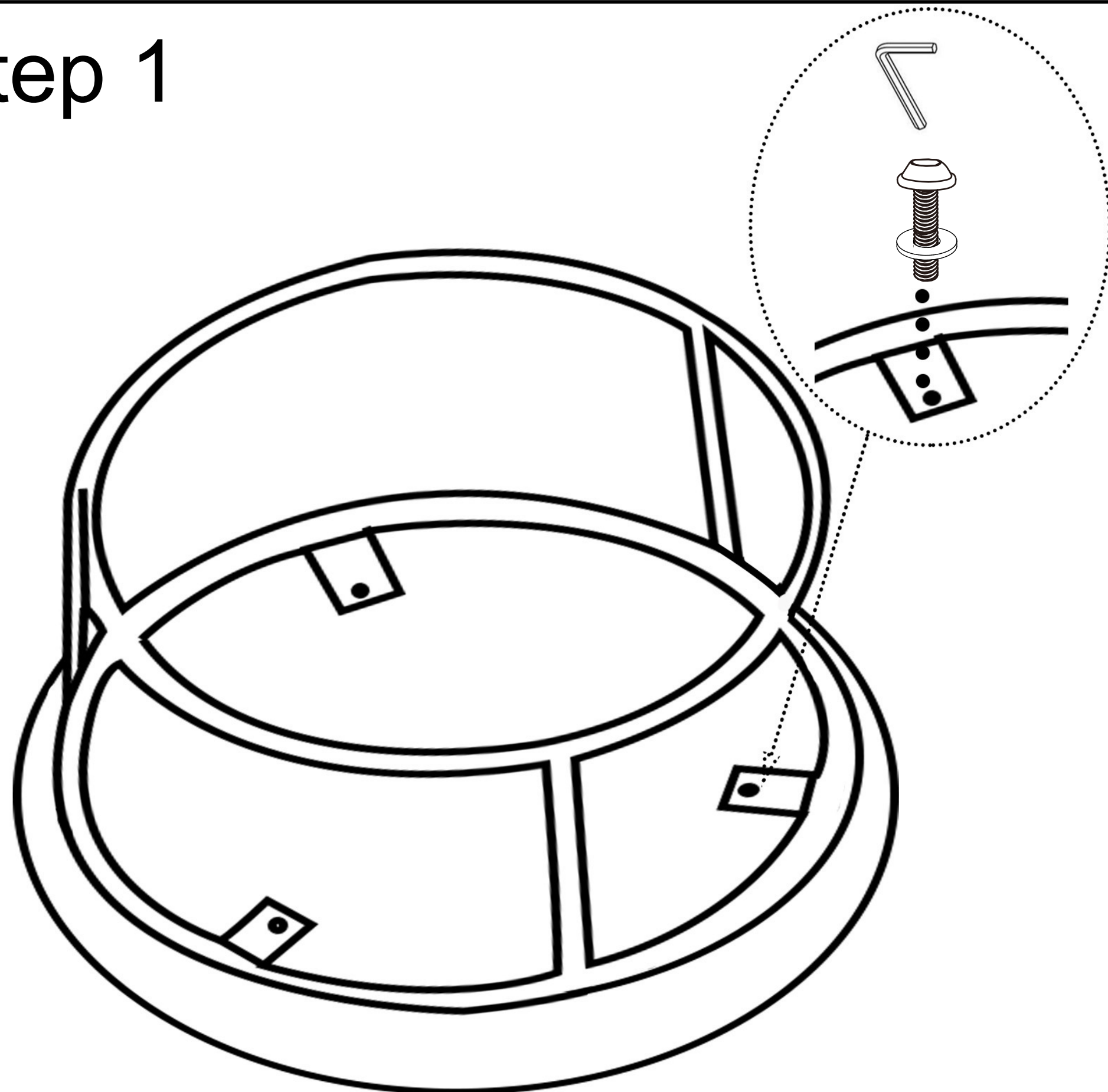


Assembly instructions



Step 1



Step 2

