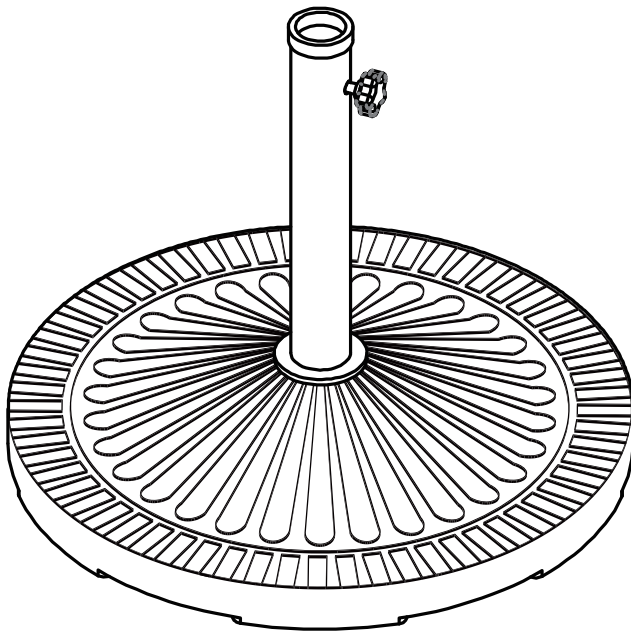


INSTRUCTION MANUAL



Umbrella Base

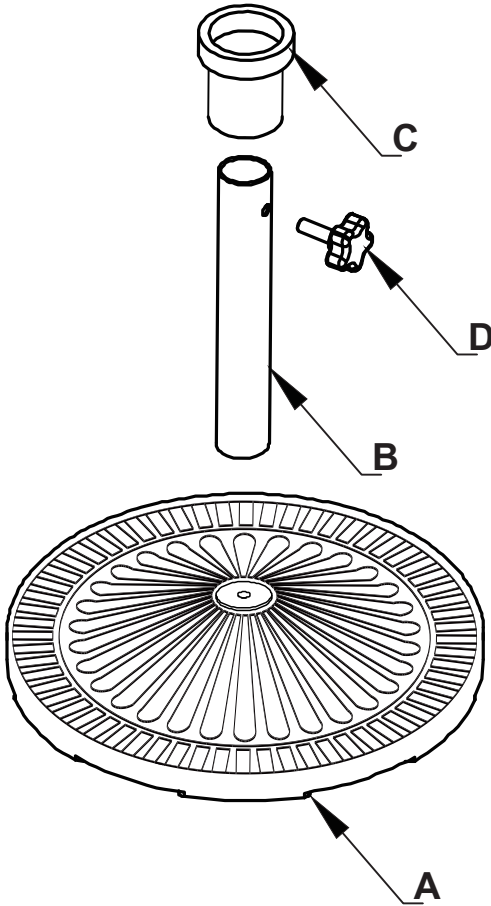
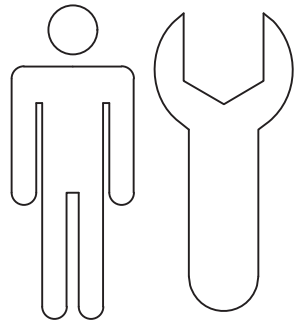
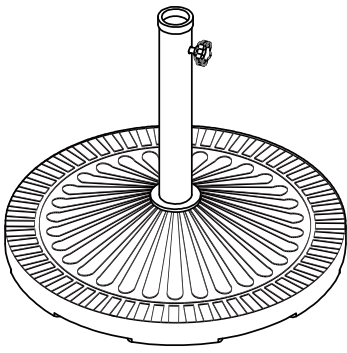
INTRODUCTION

Thank you for purchasing and trusting us with your home decorating plans. This product is a piece of furniture designed and manufactured with a focus on quality and innovation.

We are committed to research, development, and creating a diverse range of outdoor products.

After unpacking and before each use, check the item for any damage. Also ensure that all parts and hardware are included before assembly. If any parts are missing, please contact your dealer for assistance.

This furniture is intended for both indoor and outdoor use. Please take time to read and follow the instructions below, and use this item as described in this manual. We are not liable for damage caused by improper use.



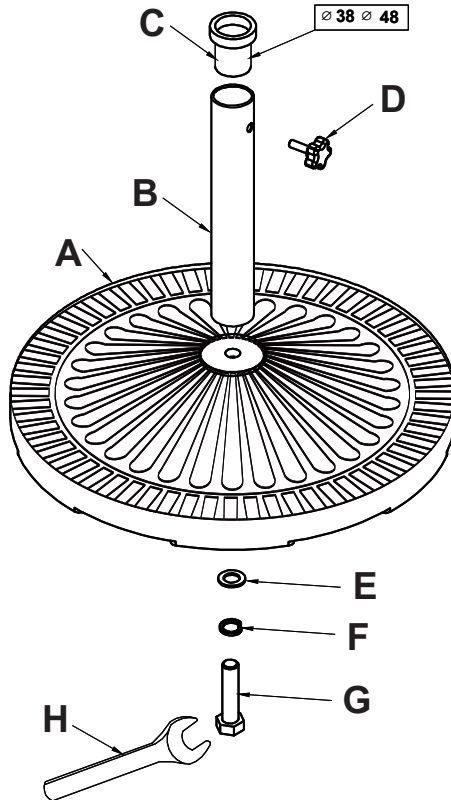
Part Number	Images and Sizes	Qty.
A		1
B		1
C		1
D		1
E		1
F		1
G		1
H		1

ASSEMBLY INSTRUCTIONS



CAVEAT

Note: Please only tighten any bolts once all bolts are placed correctly and the product is lying flat. If you tighten one bolt, it may cause other bolts to get out of position.



STEP 1

Attach the tube (B) to the base (A) using 1 screw (G), 1 spring washer (F), and 1 washer (E). Do not over-tighten the screw.

Attach (C) to (B) using 1 screw (D). Do not over-tighten.

Upon completing the entire assembly and bolting up, you can tighten down all screws.

CARE AND MAINTENANCE

Follow the instructions for the product's material to ensure it stays in the best shape as long as possible. The information below is a general guideline.

Don't hesitate to get in touch with us to learn more.

- Only rinse it thoroughly with clean water to wash away dirt and grime. Never use abrasive cleansers on the furniture since they can attack the surface and leave behind scratch marks.
- For stubborn grime and stains, use a soft sponge and mild soapy water. Then dry it with a cloth or paper towel.
- Check the stability of the screws, nuts, and nut caps before each use. Then, tighten them up after one to two months' use whenever required.
- Avoid improper use, and be careful not to scratch or damage the surface with sharp objects.
- When you move your furniture, lift it rather than pulling or pushing it to avoid damaging the floor, legs, and mounting.