

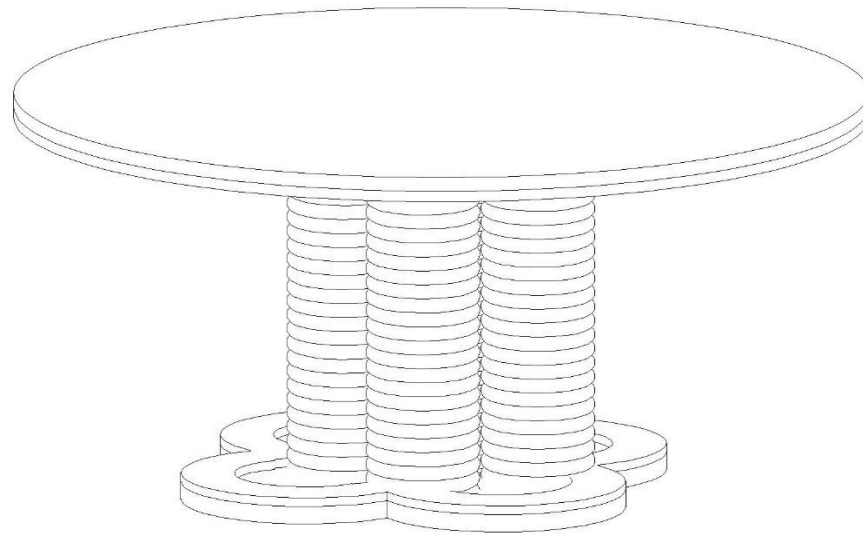
MOE'S

home collection

ASSEMBLY INSTRUCTIONS.

TRECCIA DINING TABLE OAK



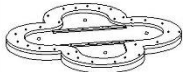
BB-1028-24-0




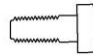

THANK YOU FOR YOUR PURCHASE!

PARTS AND HARDWARE.

PARTS LIST

No.	DESCRIPTION	IMAGE	Q'TY
P1	DINING TABLE TOP		1
P2	DINING TABLE BASE		4
P3	DINING TABLE BASE PLATE		1

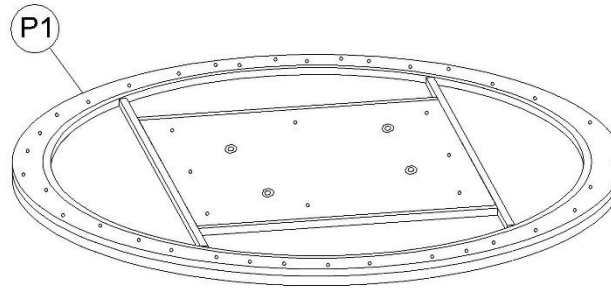
HARDWARE LIST

No.	DESCRIPTION	IMAGE	Q'TY
H1	ALLEN KEY (6mm)		1
H2	ALLEN BOLT M-8 (25mm x 8mm)		4
H3	WASHER (20mm x 3mm)		4

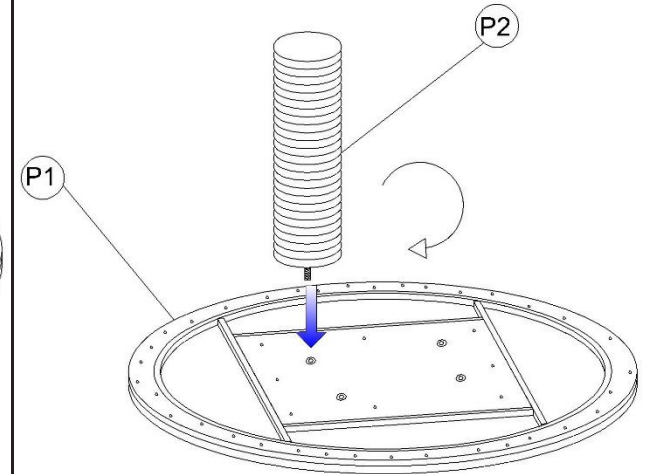
NOTES.

Thank you for purchasing this quality product! Be sure to check all packing material carefully for small parts that may have come loose inside the carton during shipping.

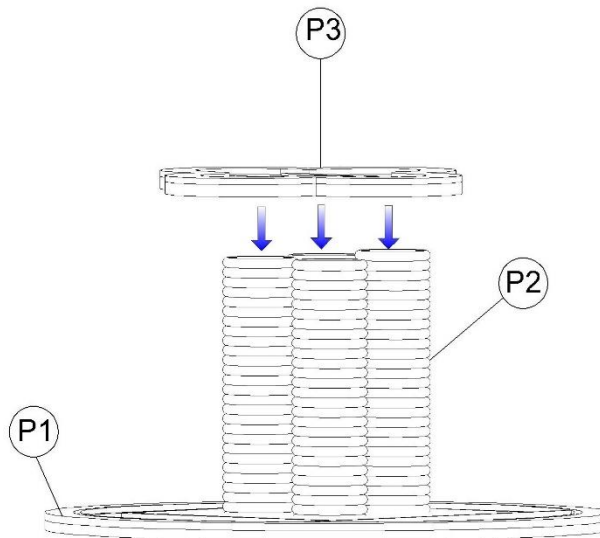
STEP 1.



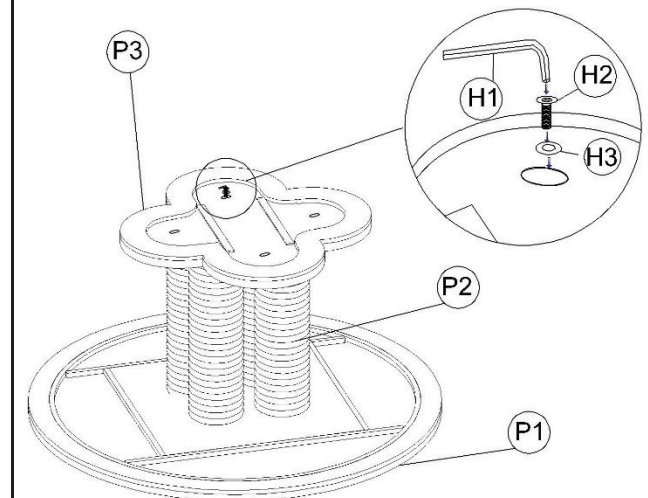
STEP 2.



STEP 3.



STEP 4.



CAUTION: Keep all packaging and instructions until assembly is complete to ensure you have all required parts and hardware.

Keep small hardware out of reach of children.

The item is heavy, take care when lifting and use two people to maneuver safely.

Assemble the product on a padded surface to reduce the risk of scratching to the product or your work surface.

STEP 5.

