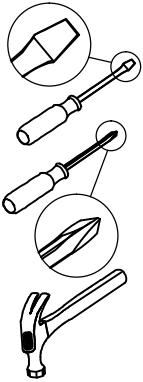


READ AND SAVE THIS INSTRUCTIONS FOR USE

ASSEMBLY & INSTRUCTION MANUAL

Before You Start



- ✓ Read through each step carefully and follow the proper order
- ✓ Separate and count all your parts and hardware
- ✓ Give yourself enough room for the assembly process
- ✓ Have the following tools: Flat Head Screwdriver, #2 Phillips Head Screwdriver and Hammer
- ✓ Caution: If using a power drill or power screwdriver for screwing, please be aware of to slow down and stop when screw is tight. Failure to do so may result in stripping the screw. (Assembly speed can be increased by using electric screwdriver)

Helpful Hints

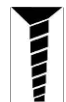
PEOPLE NEEDED FOR ASSEMBLY: 1-2

- Open your item in the area you plan to keep it to avoid excessive heavy lifting.



- Identify, sort and count the parts before attempting assembly.

- Compression dowels are lightly tapped in with a hammer.



- Slides are labeled with an **R** (right) and **L** (left) for proper placement.



- Make sure to always face the point on the top of the Cam Lock towards the outer edge.

- If there is a back panel in the package, please install it to make sure your unit is complete and sturdy.



- Please fix all the screws provided for the back panel which can enhance product stability. If it is difficult to fix it when tightening, it can be fixed with the help of a hammer and then tightened.



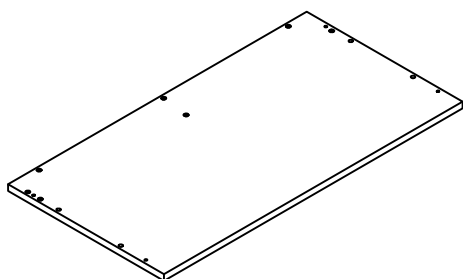
- Do NOT use harsh chemicals or abrasive cleaners on this item.



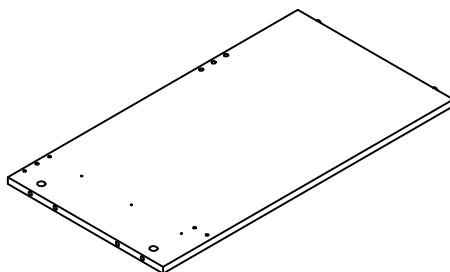
- Never push, pull, or drag your furniture.

Board Identification

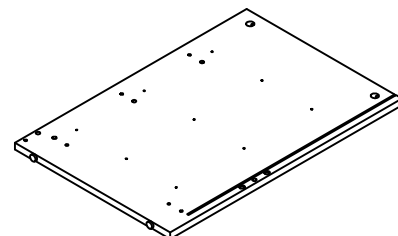
Not actual size



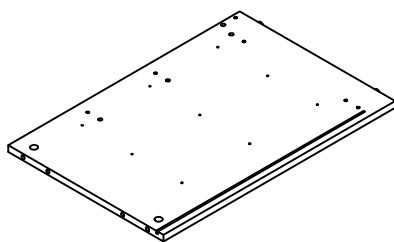
Ⓐ
TOP
Qty:1



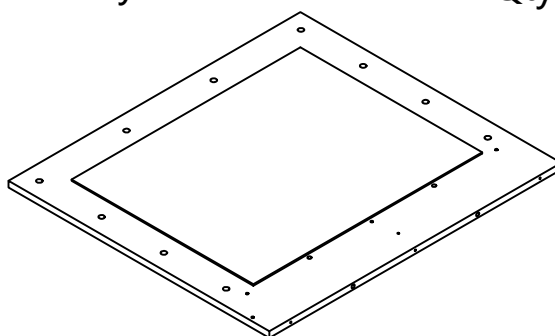
Ⓑ
LEFT SIDE PANEL
Qty:1



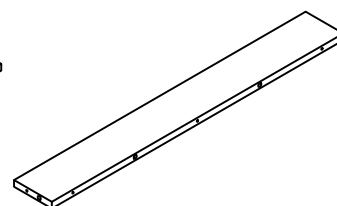
Ⓒ
CABINET LEFT SIDR PANEL
Qty:1



Ⓓ
CABINET RIGHT SIDR PANEL
Qty:1



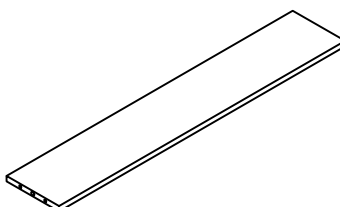
Ⓔ
DRESSING MIRROR
Qty:1



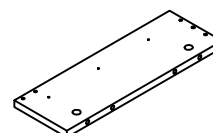
Ⓕ
TOP PANEL
Qty:1



Ⓖ
HUTCH SIDE PANEL
Qty:2



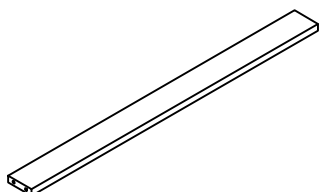
Ⓖ
DESK BACK PANEL
Qty:1



Ⓖ
RIGHT SIDE PANEL
Qty:1

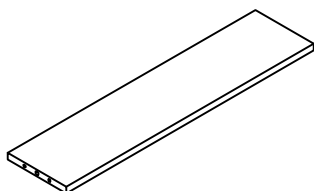
Board Identification

Not actual size



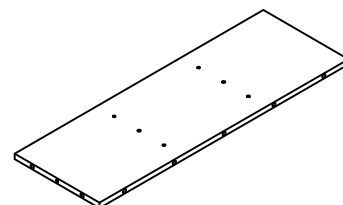
ⓐ

DESK FRONT CROSS MEMBER
Qty:1



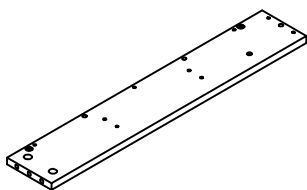
ⓑ

DESK LOWER BACK SLAT
Qty:1



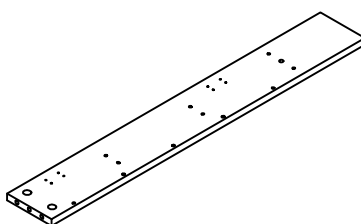
ⓒ

RIGHT UPPER BACKPLANE
Qty:1



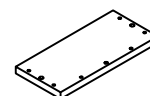
ⓓ

HUTCH LEFT SIDE PANEL
Qty:1



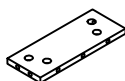
ⓔ

HUTCH RIGHT SIDE PANEL
Qty:1



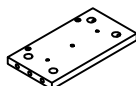
ⓕ

HUTCH TOP
Qty:1



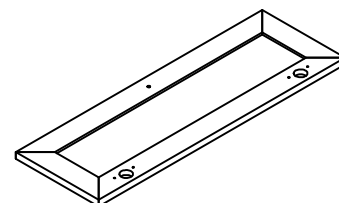
ⓖ

HUTCH FIXED SHELF
Qty:2



ⓗ

HUTCH BOTTOM
Qty:1

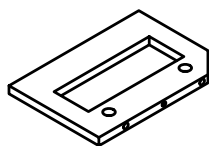


ⓓ

DOOR
Qty:1

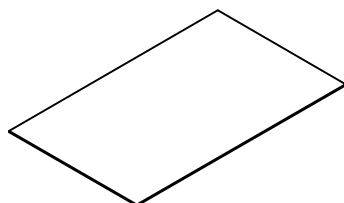
Board Identification

Not actual size



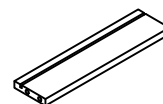
Ⓢ

LOWER RIGHT BACK PANEL
Qty:1



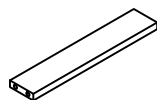
Ⓣ

CABINET BACK PANEL
Qty:1



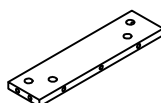
Ⓤ

CABINET BACK SLAT
Qty:1



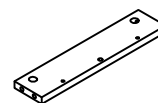
Ⓥ

CABINET FRONT SLAT
Qty:2



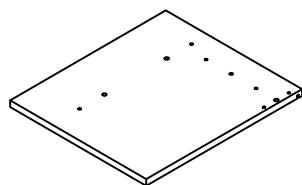
Ⓦ

CABINET FRONT SLAT
Qty:1



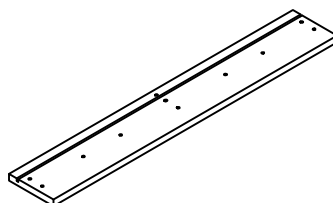
Ⓧ

BOTTOM FRONT RAIL
Qty:1



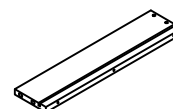
Ⓨ

CABINET TOP
Qty:1



Ⓩ

DRAWER PANEL
Qty:1

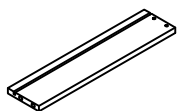


ⒶⒶ

DESK DRAWER LEFT PANE
Qty:1

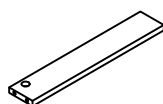
Board Identification

Not actual size



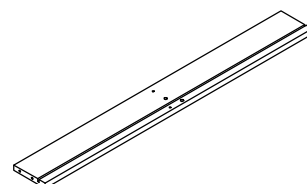
ⓑ

DESK DRAWER RIGHT PANEL
Qty:1



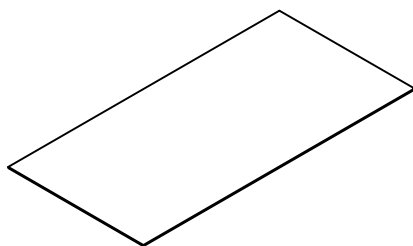
ⓒ

DRAWER PARTITION
Qty:1



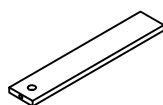
ⓓ

DESK DRAWER BACK PANEL
Qty:1



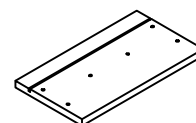
ⓔ

DESK DRAWER BOTTOM
Qty:1



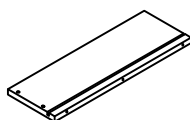
ⓕ

DRAWER SUPPORT RAIL
Qty:1



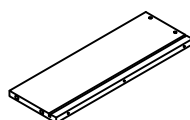
ⓖ

CABINET DRAWER FRONT
Qty:3



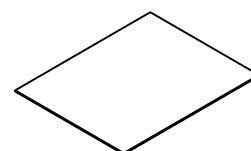
ⓓⓓ

CABINET DRAWER LEFT PANE
Qty:3



ⓓⓓ

CABINET DRAWER RIGHT PANEL
Qty:3

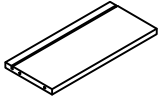


ⓓⓓ

CABINET DRAWER BOTTOM
Qty:3

Board Identification

Not actual size

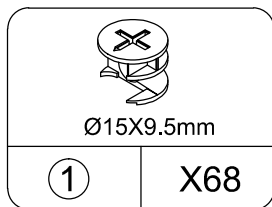


ⓀⓀ

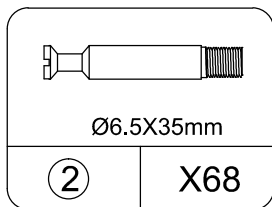
CABINET DRAWER BACK PANEL

Qty:3

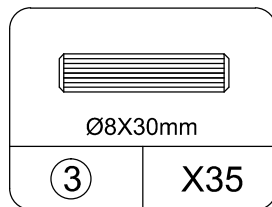
Part List



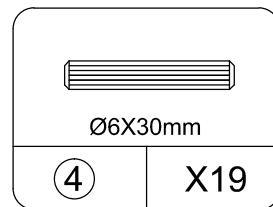
CAM LOCK
spare:3



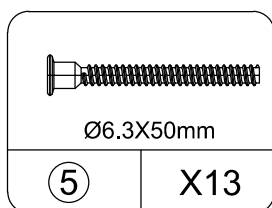
CAM BOLT
spare:3



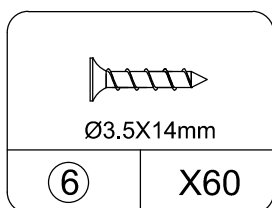
WOOD DOWEL
spare:3



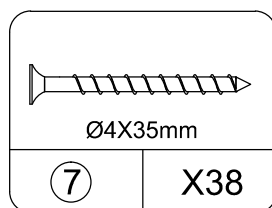
WOOD DOWEL
spare:1



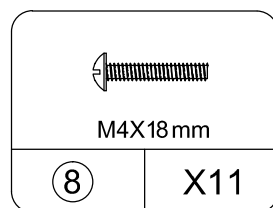
SCREW
spare:1



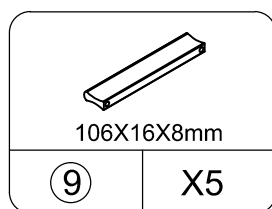
SCREW
spare:3



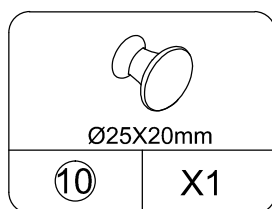
SCREW
spare:3



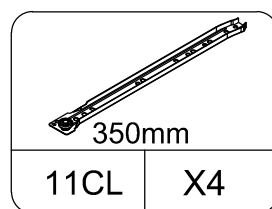
SCREW
spare:1



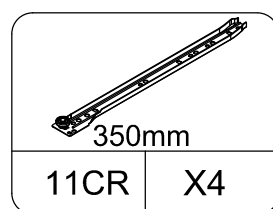
HANDLE



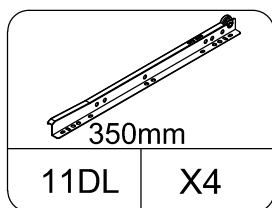
HANDLE



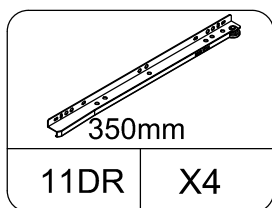
LEFT CABINET MEMBER



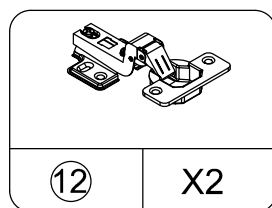
RIGHT CABINET MEMBER



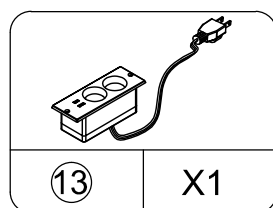
LEFT DRAWER RUNNER



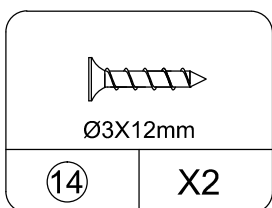
RIGHT DRAWER RUNNER



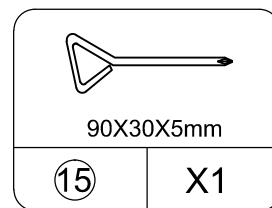
HINGE



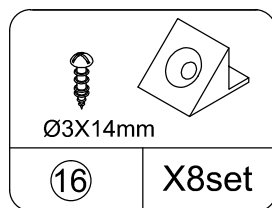
POWER STRIP



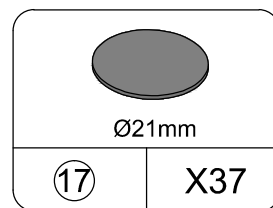
SCREW
spare:1



HEX KEY

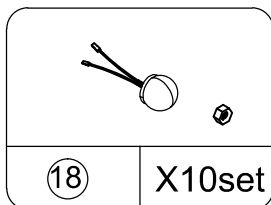


BACK PANEL BUCKLE
spare:1

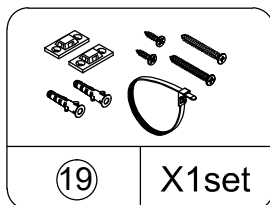


PERFECT STICKER
spare:3

Part List



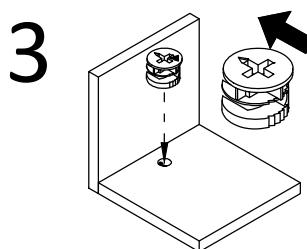
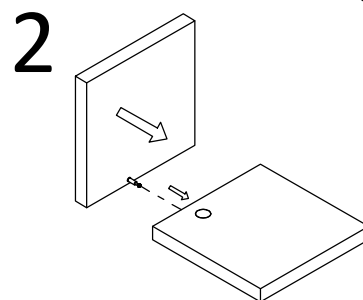
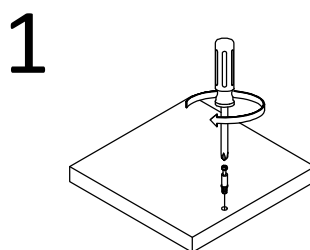
LIGHT BULB



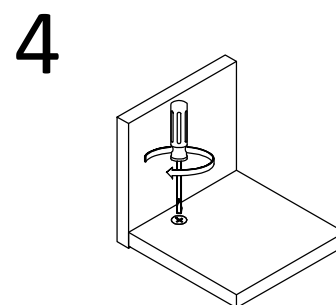
TIPPING RESTRAINT
HARDWARE KIT

Cam Lock Fastening System

Insert the cam bolt into the hole first, then insert the cam lock and lock it.

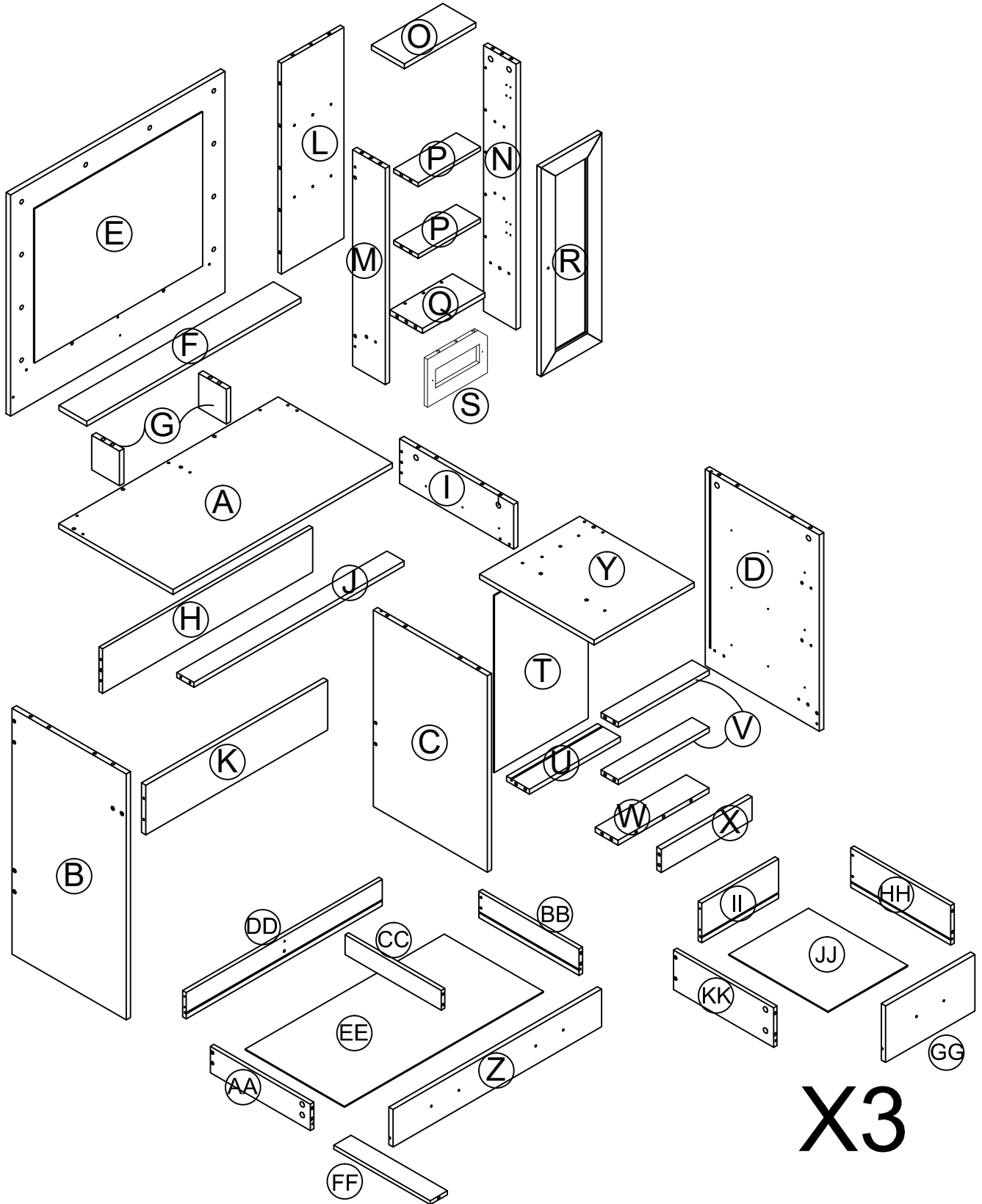


The opening must point toward the edge of the board

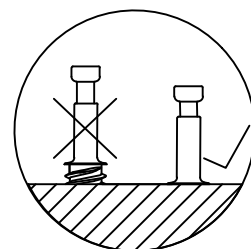
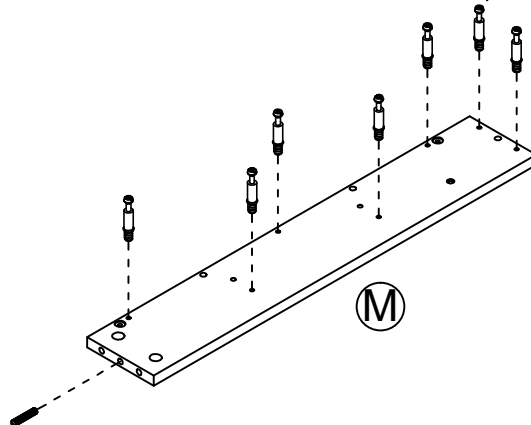
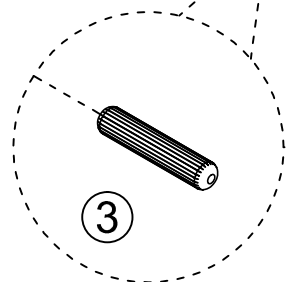
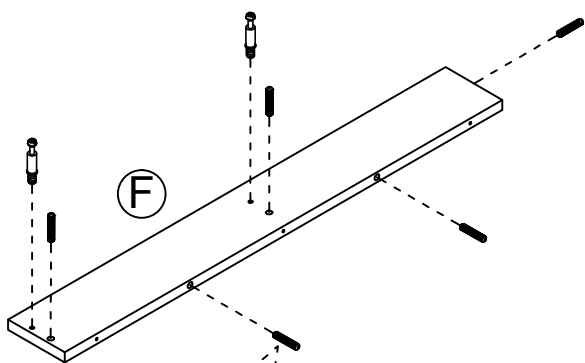
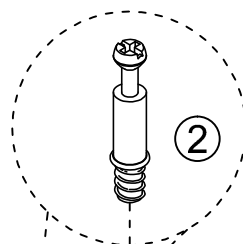
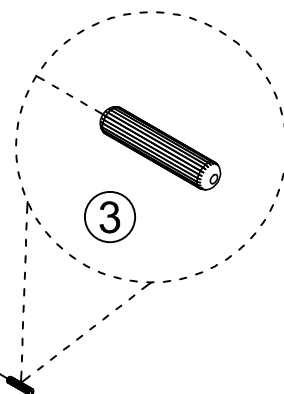
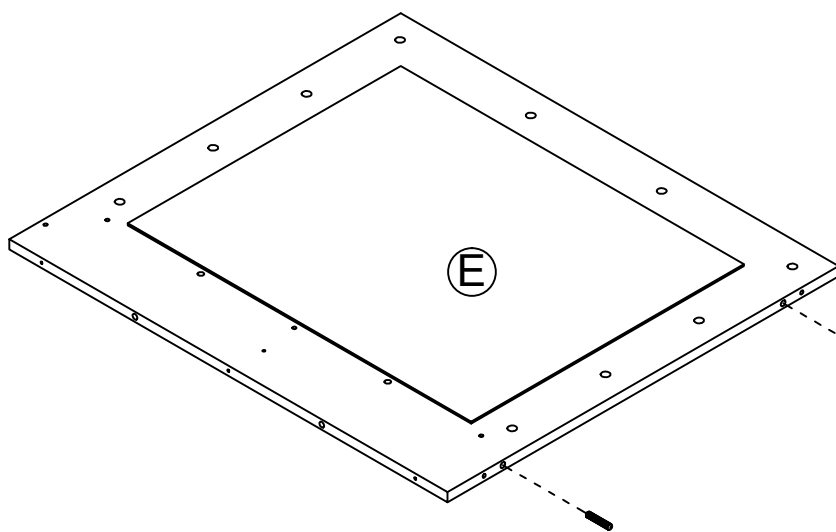
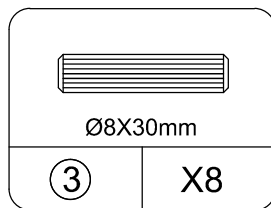
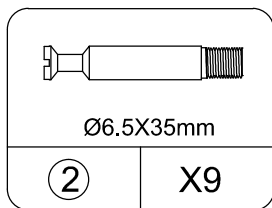
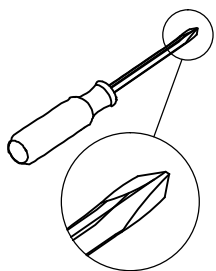


Board Identification

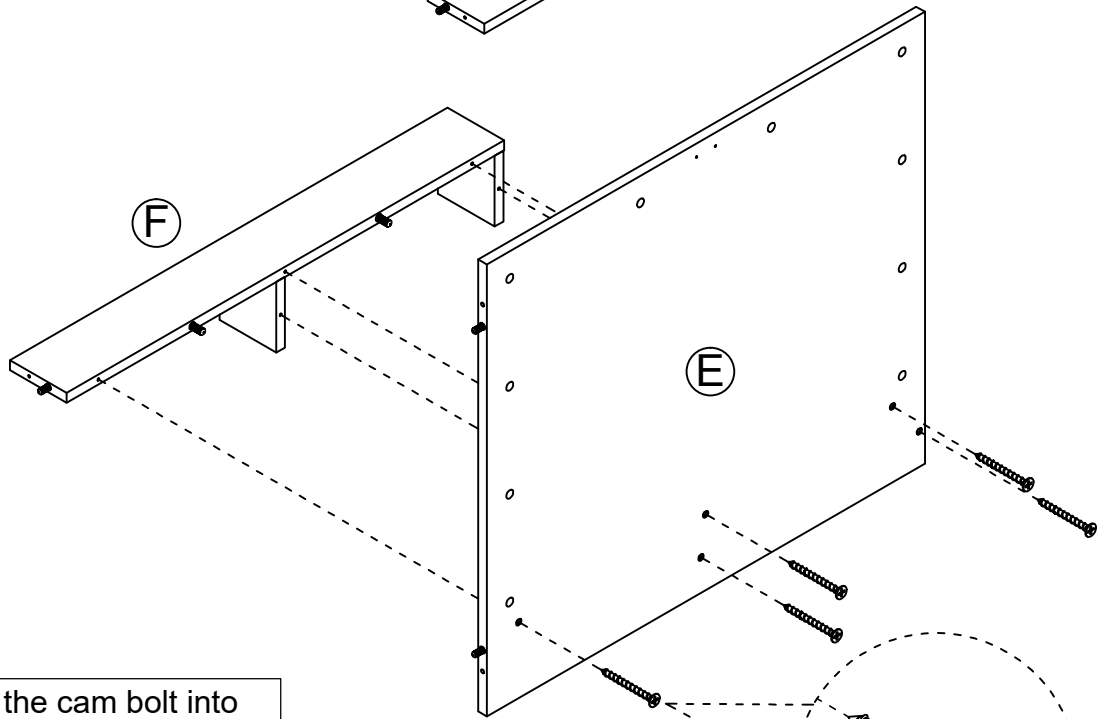
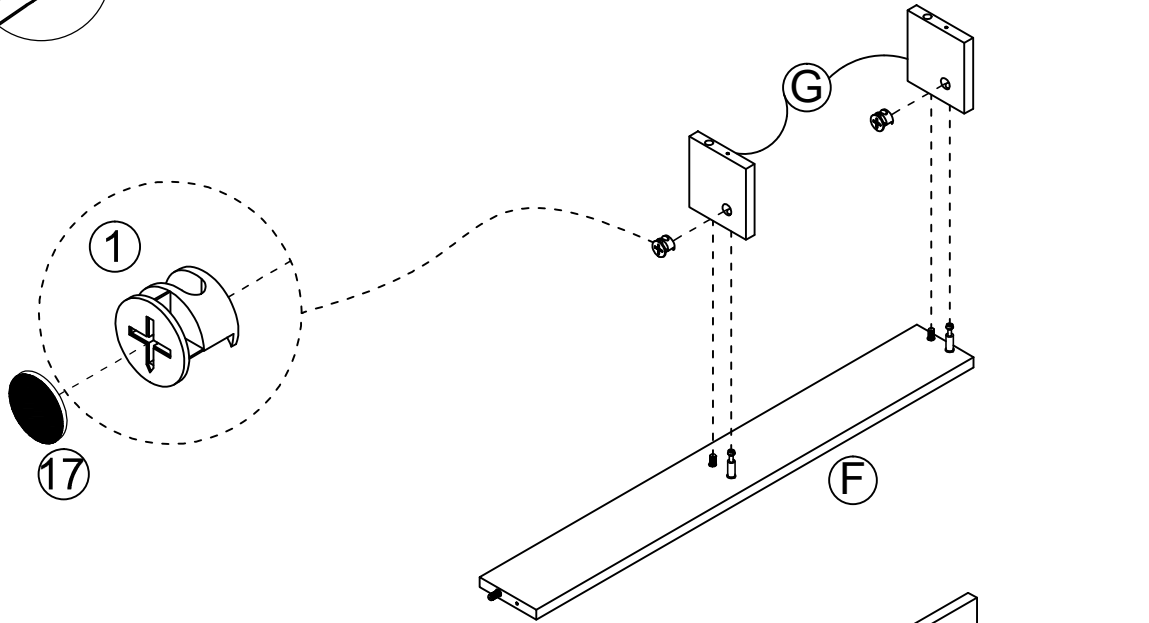
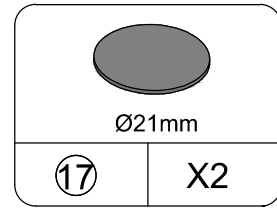
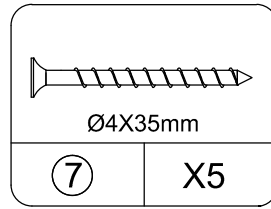
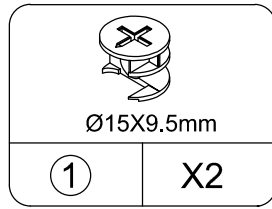
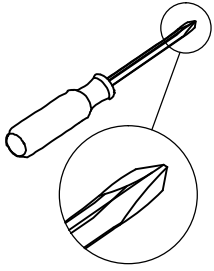
Not actual size



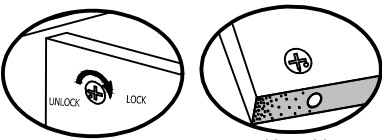
STEP 1



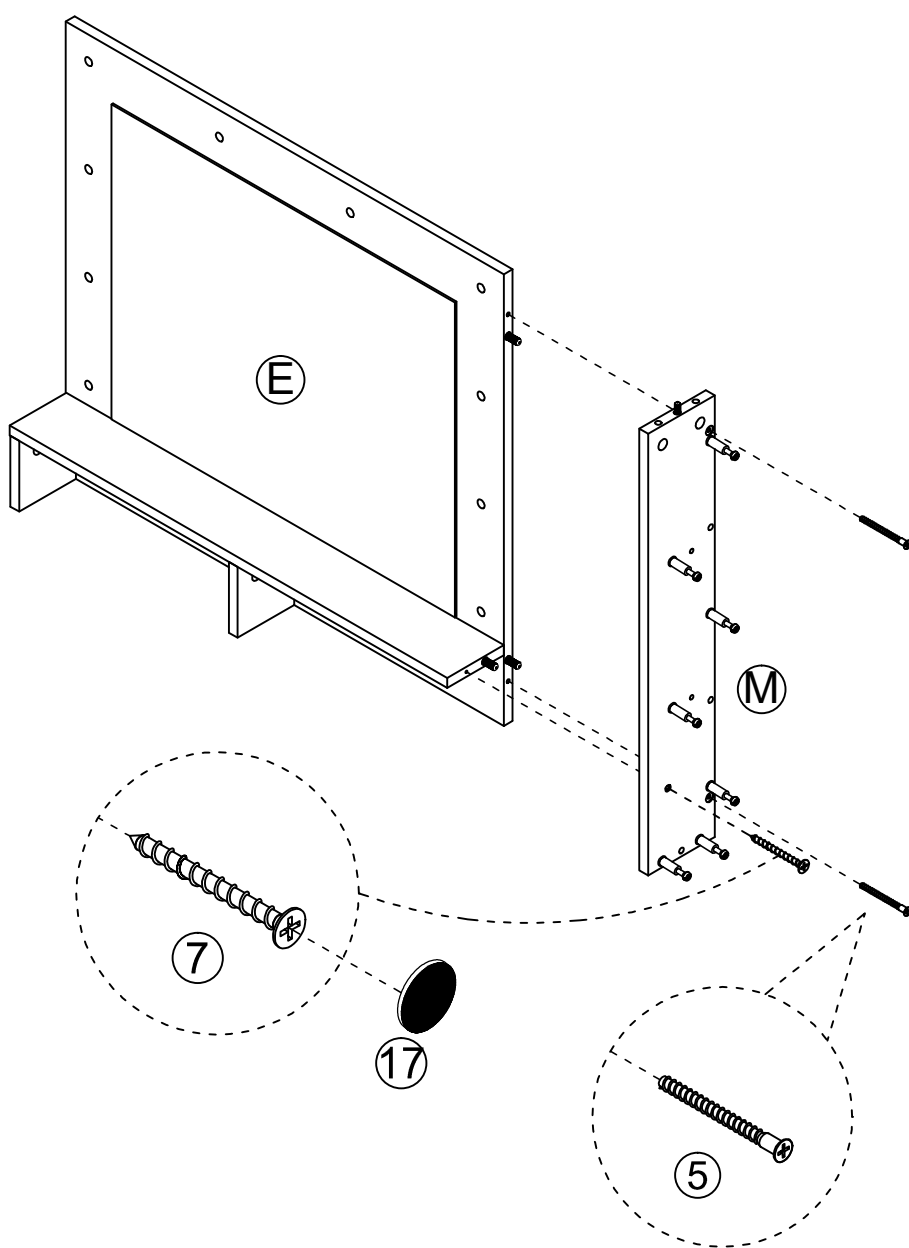
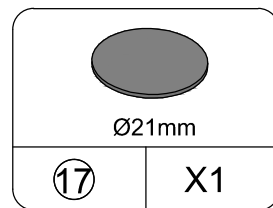
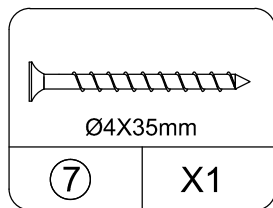
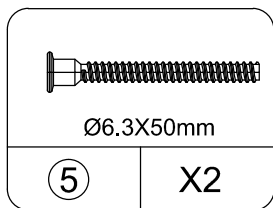
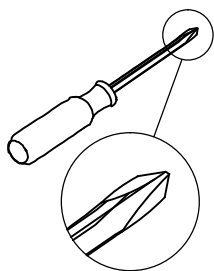
STEP 2



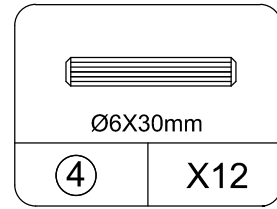
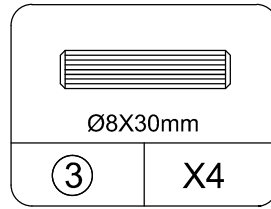
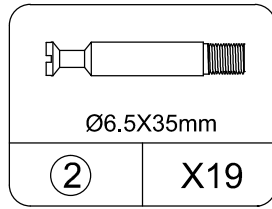
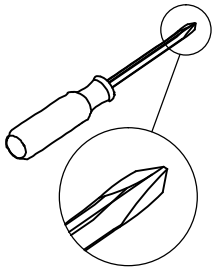
Insert the cam bolt into the hole first, then insert the cam lock and lock it.



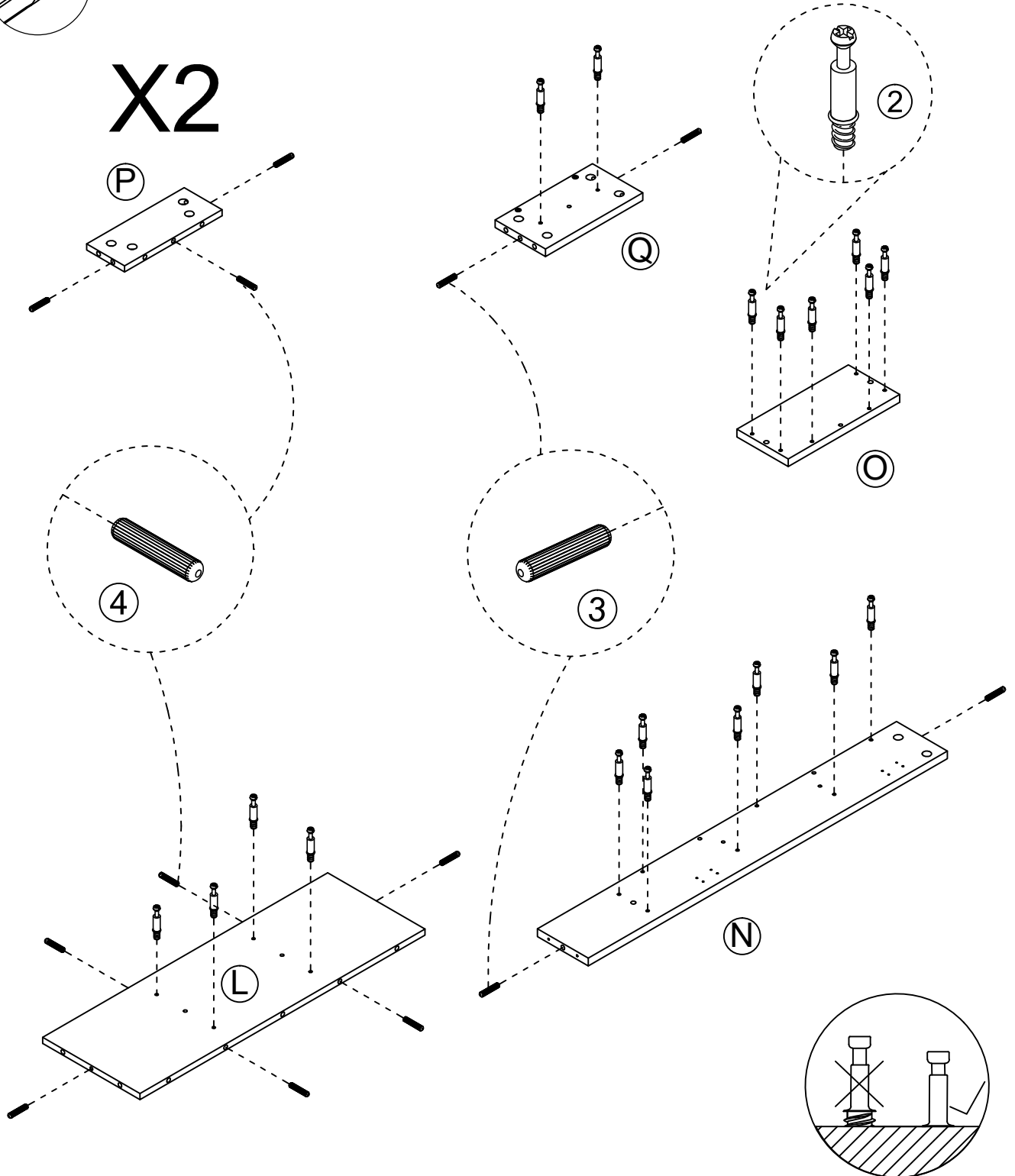
STEP3



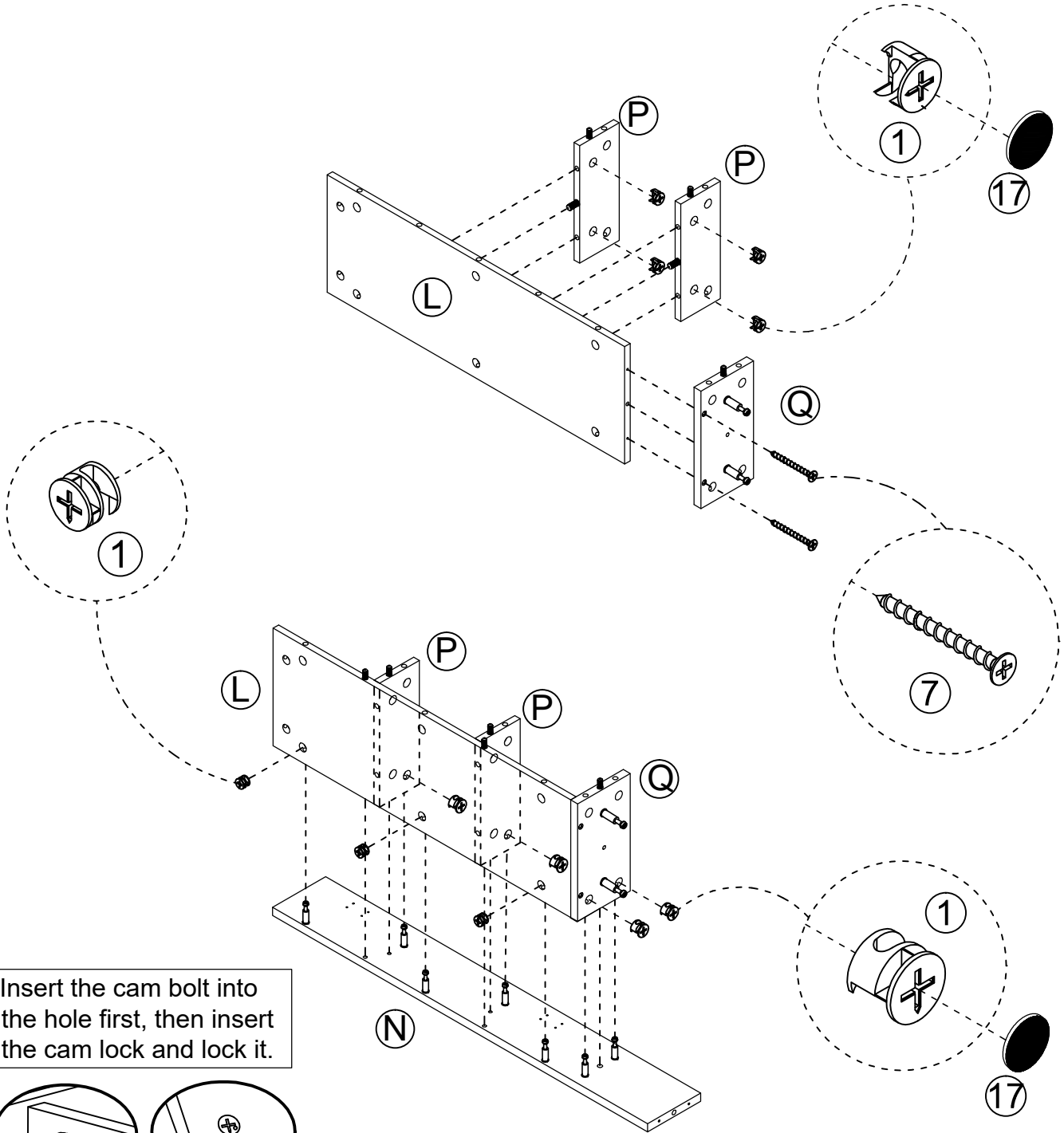
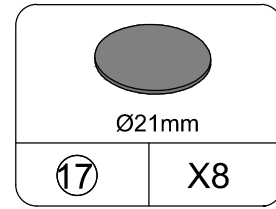
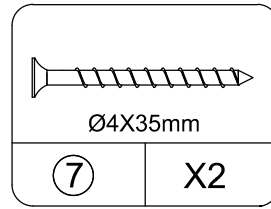
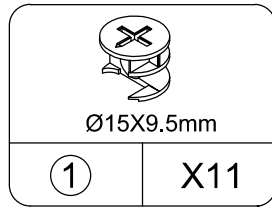
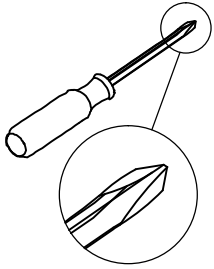
STEP 4



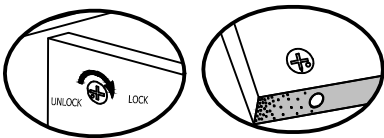
X2



STEP 5

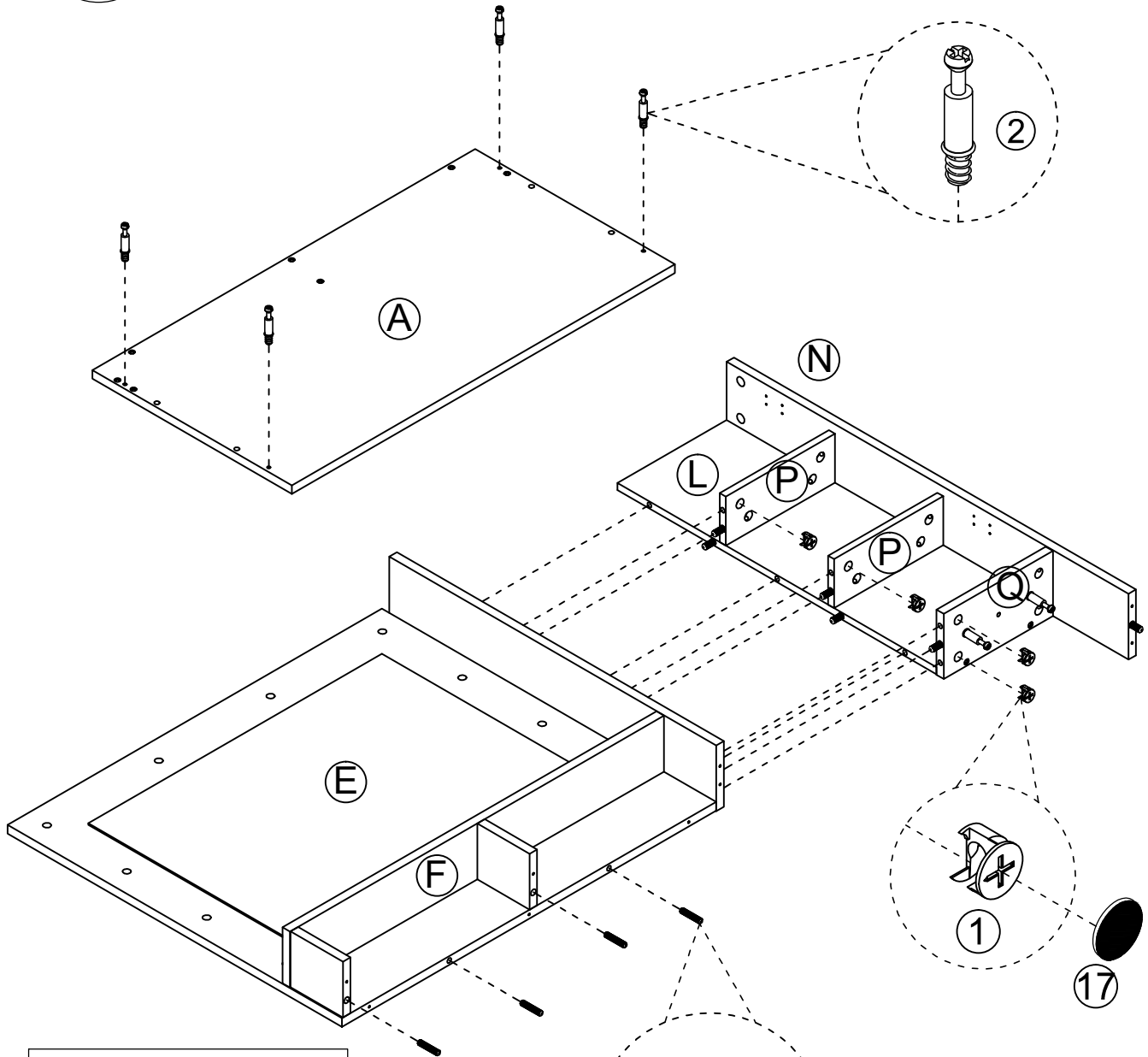
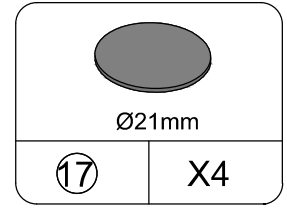
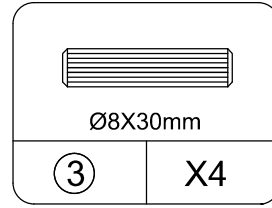
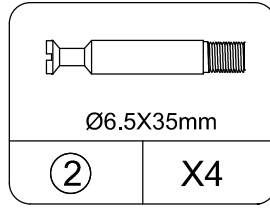
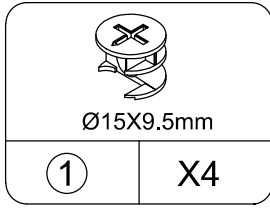
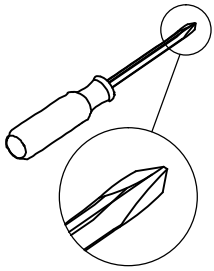


Insert the cam bolt into the hole first, then insert the cam lock and lock it.

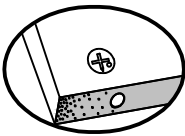


Proper orientation of CAM LOCK

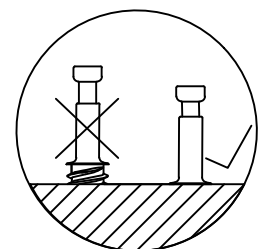
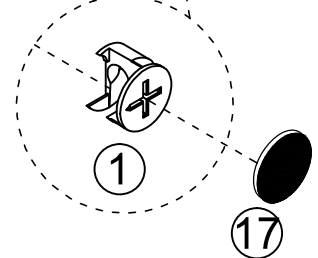
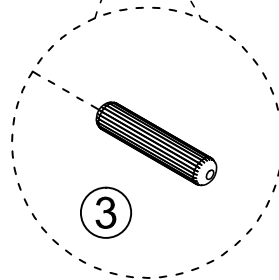
STEP 6



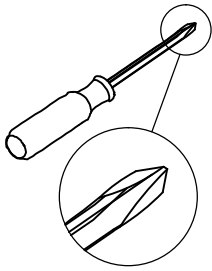
Insert the cam bolt into the hole first, then insert the cam lock and lock it.





Proper orientation of CAM LOCK

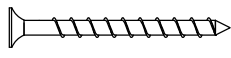


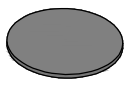
STEP 7

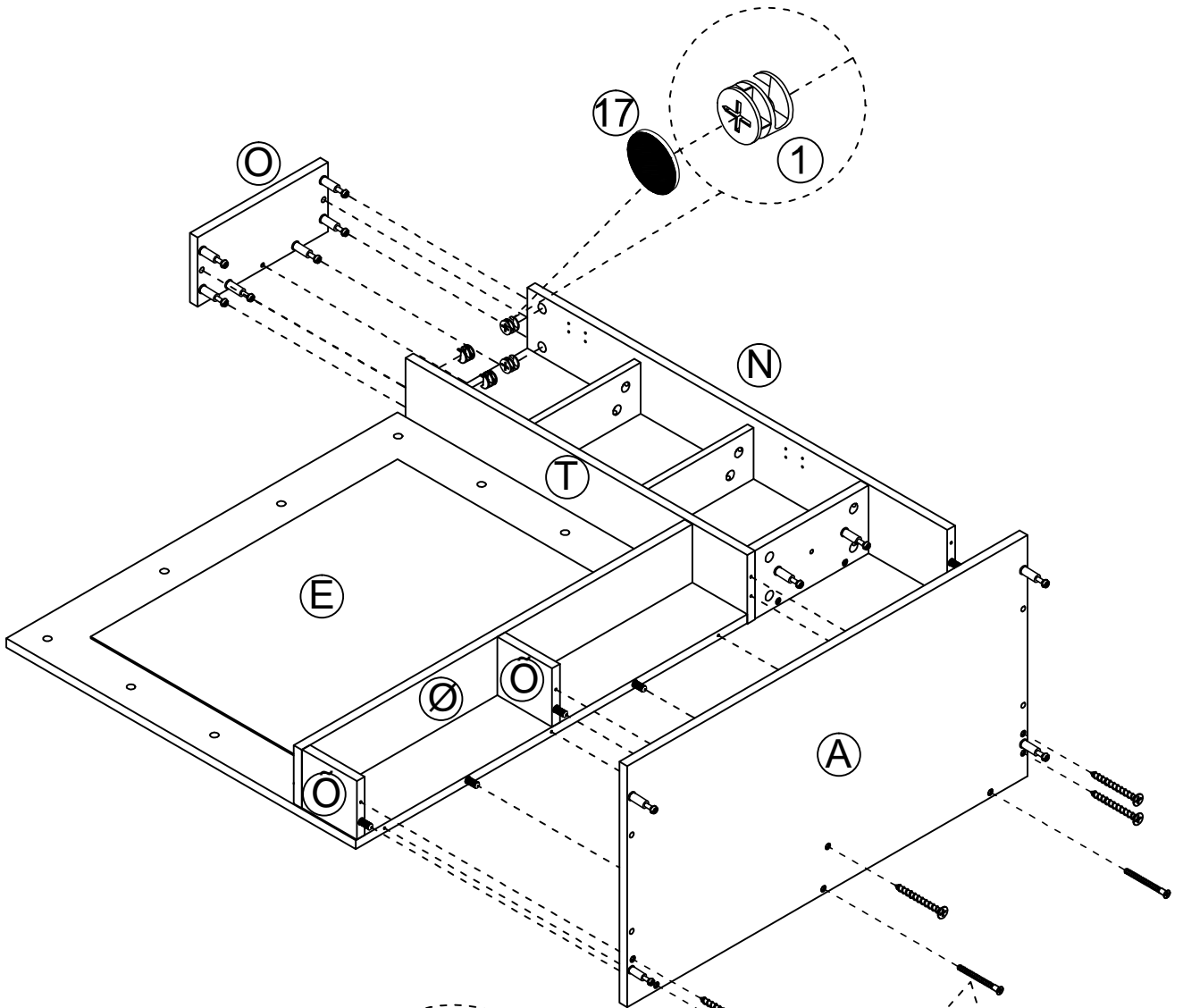


| | |
|---|----|
|  | |
| Ø15X9.5mm | |
| ① | X4 |

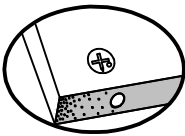
| | |
|---|----|
|  | |
| Ø6.3X50mm | |
| ⑤ | X3 |

| | |
|--|----|
|  | |
| Ø4X35mm | |
| ⑦ | X4 |

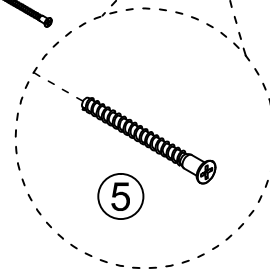
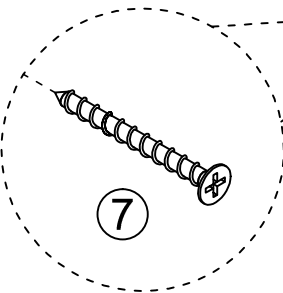
| | |
|---|----|
|  | |
| Ø21mm | |
| ⑰ | X4 |



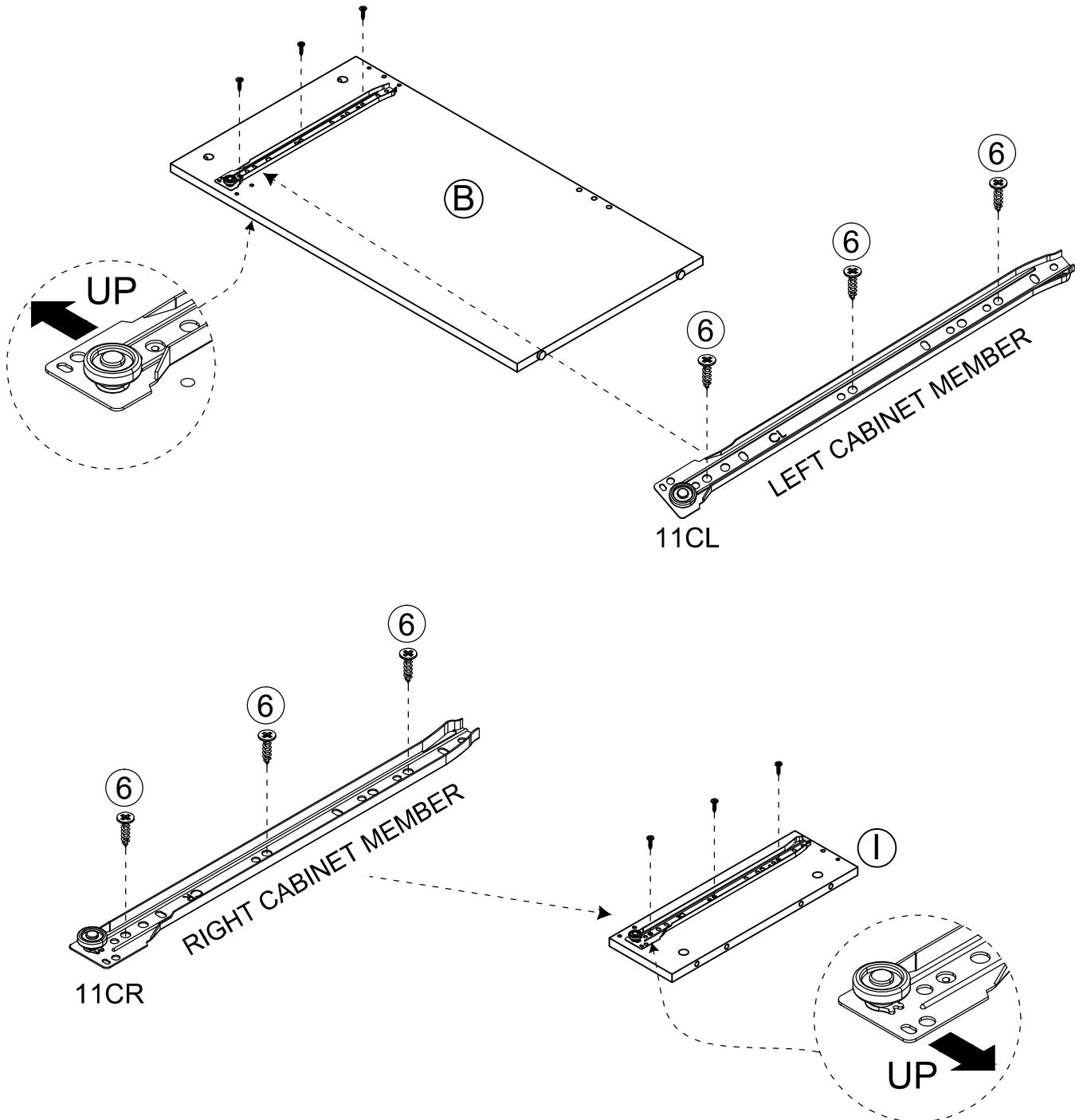
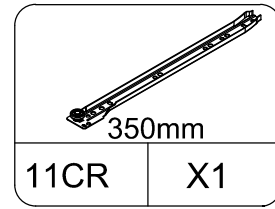
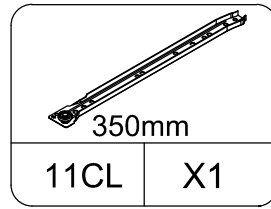
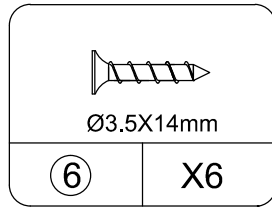
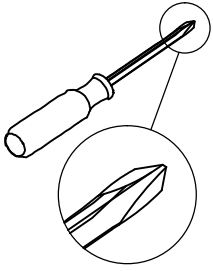
Insert the cam bolt into the hole first, then insert the cam lock and lock it.



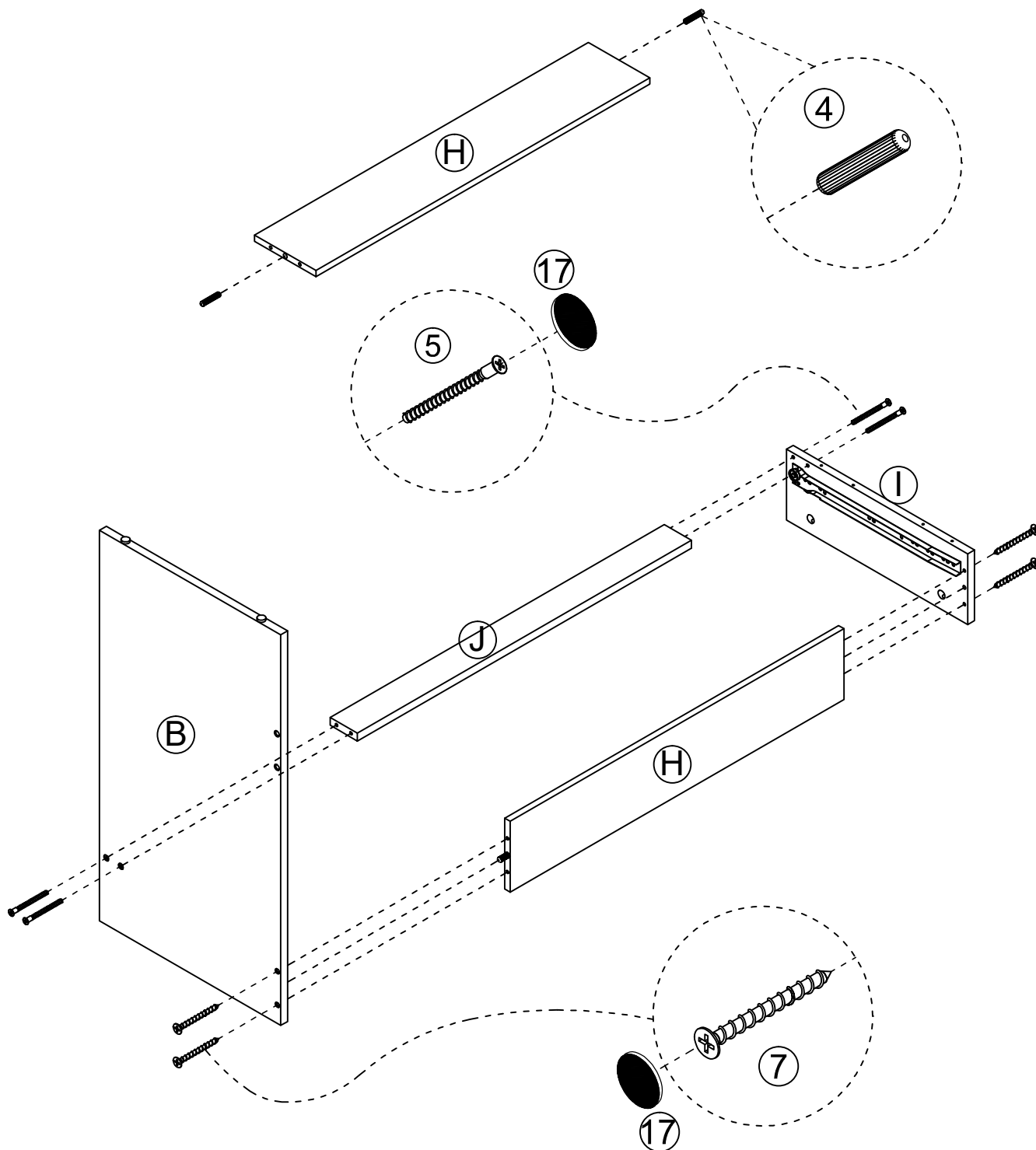
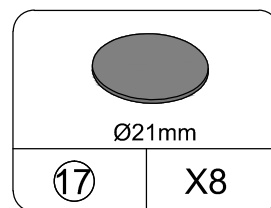
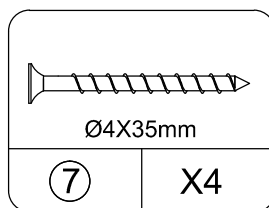
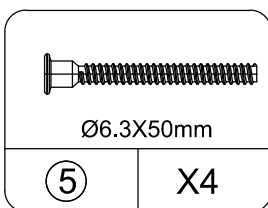
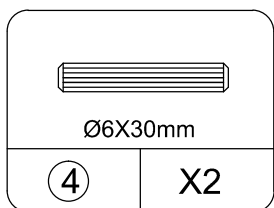
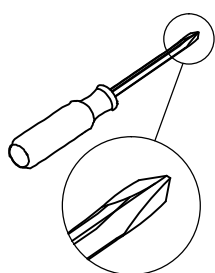
Proper orientation of CAM LOCK



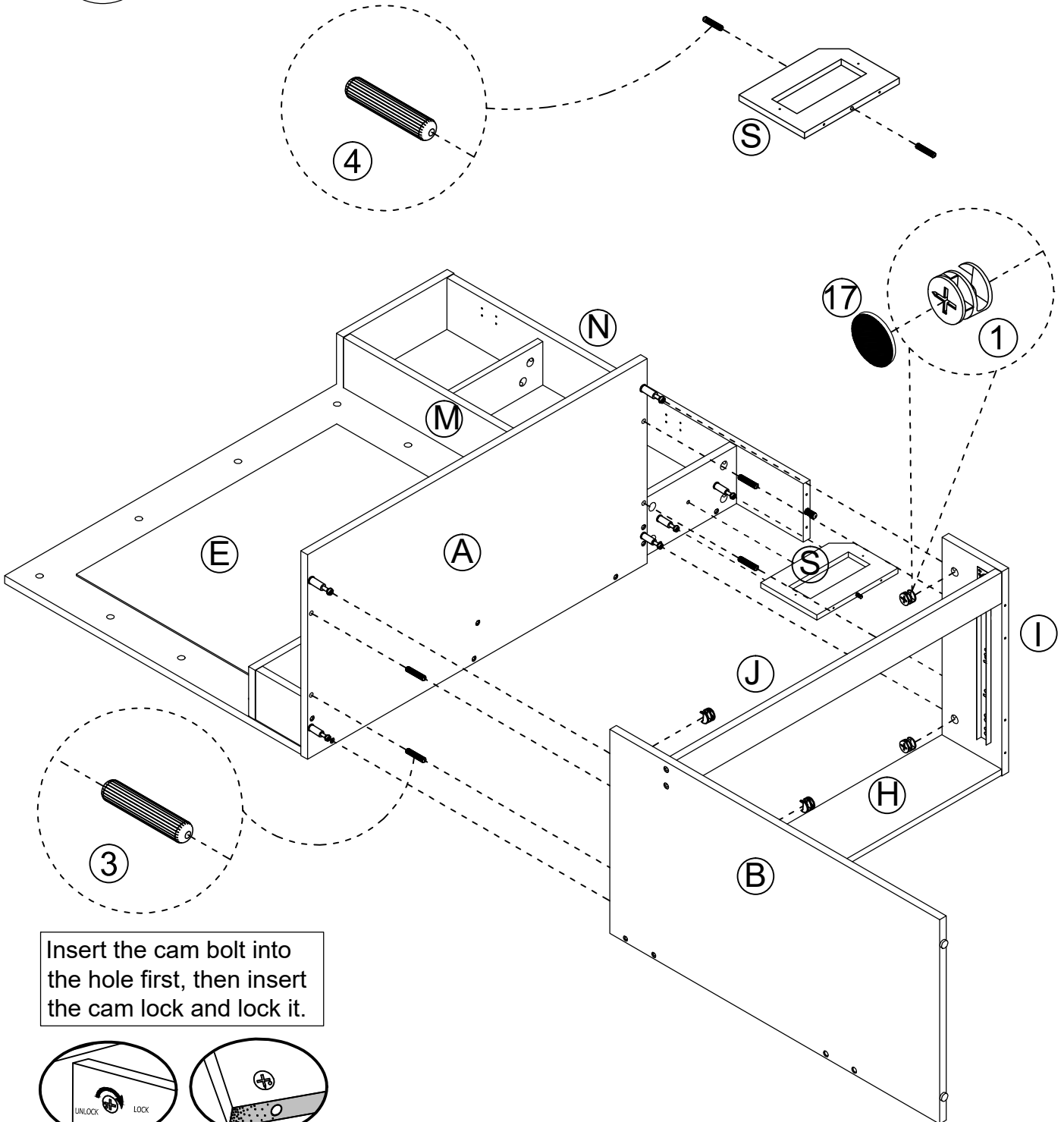
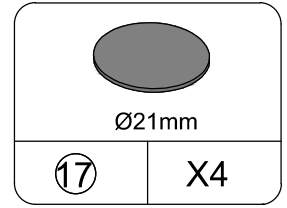
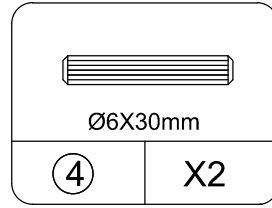
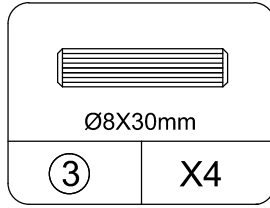
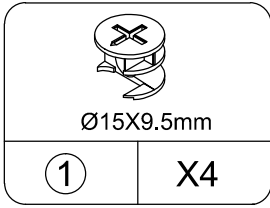
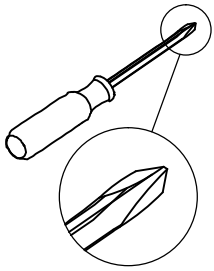
STEP 8



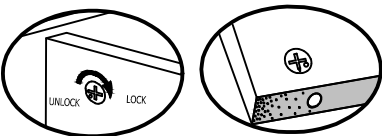
STEP 9



STEP 10

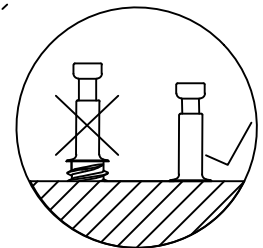
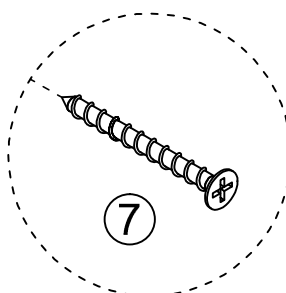
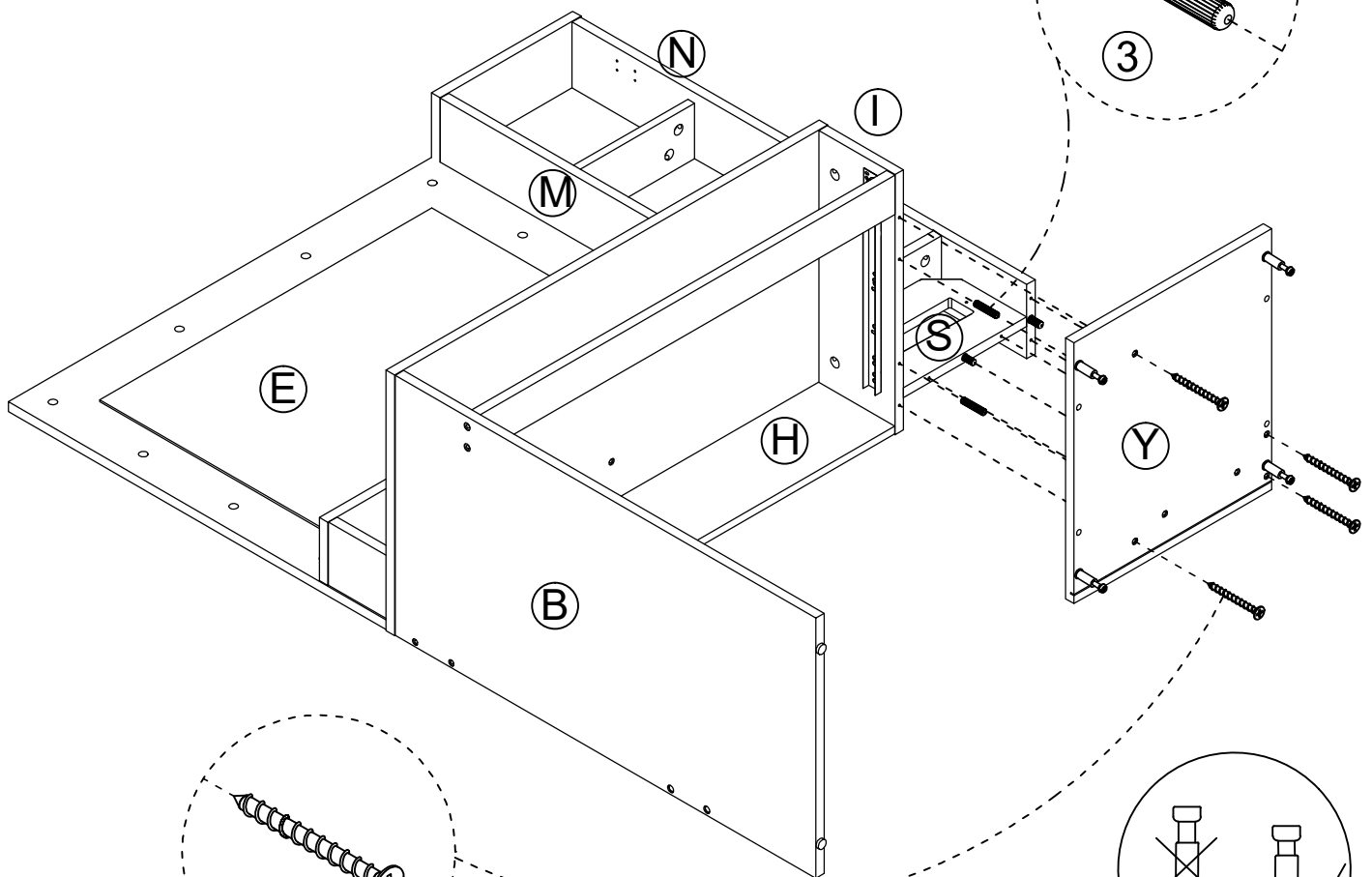
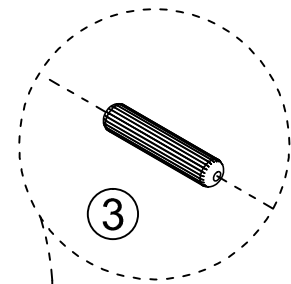
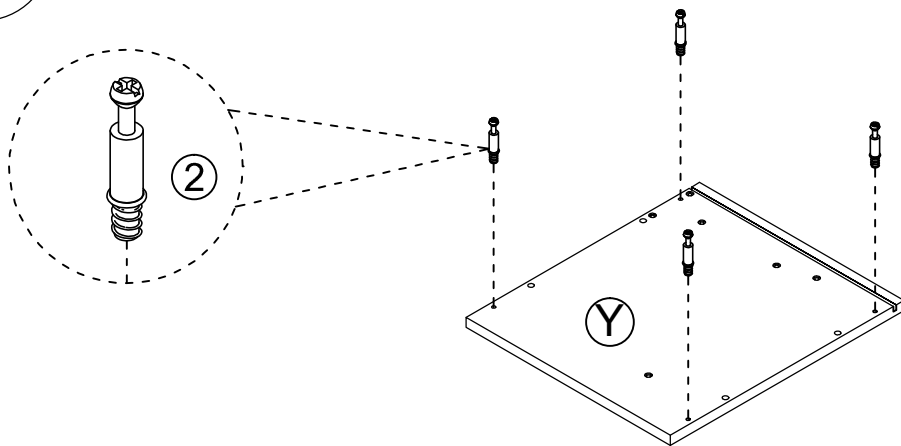
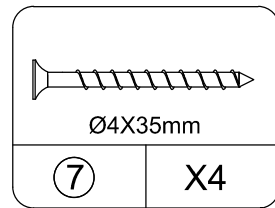
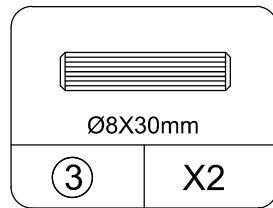
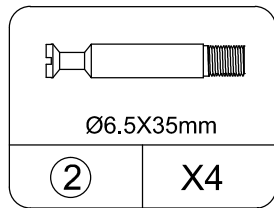
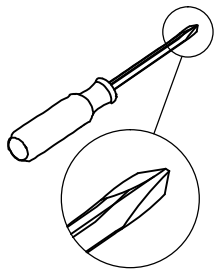


Insert the cam bolt into the hole first, then insert the cam lock and lock it.

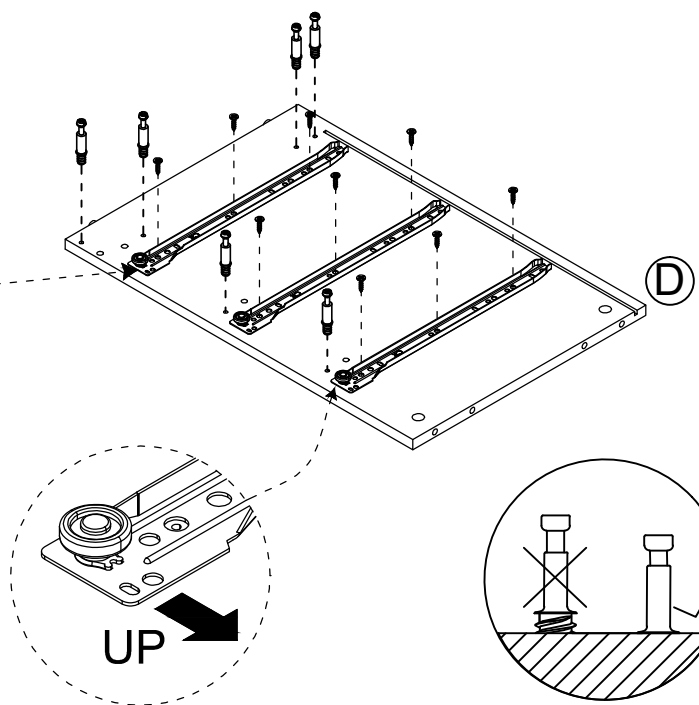
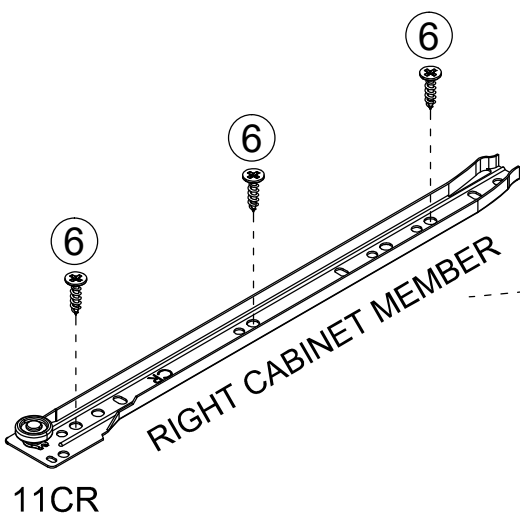
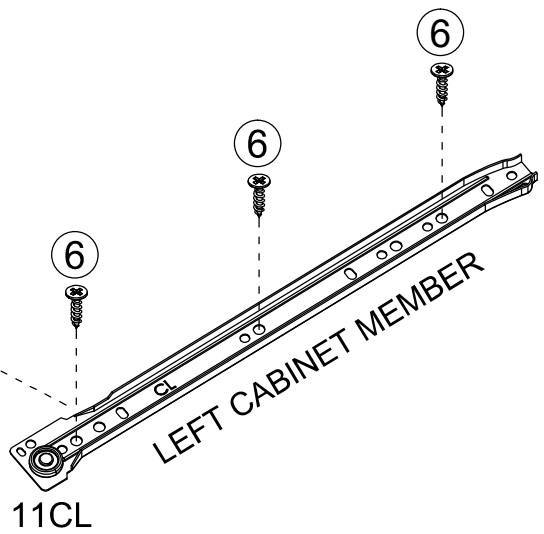
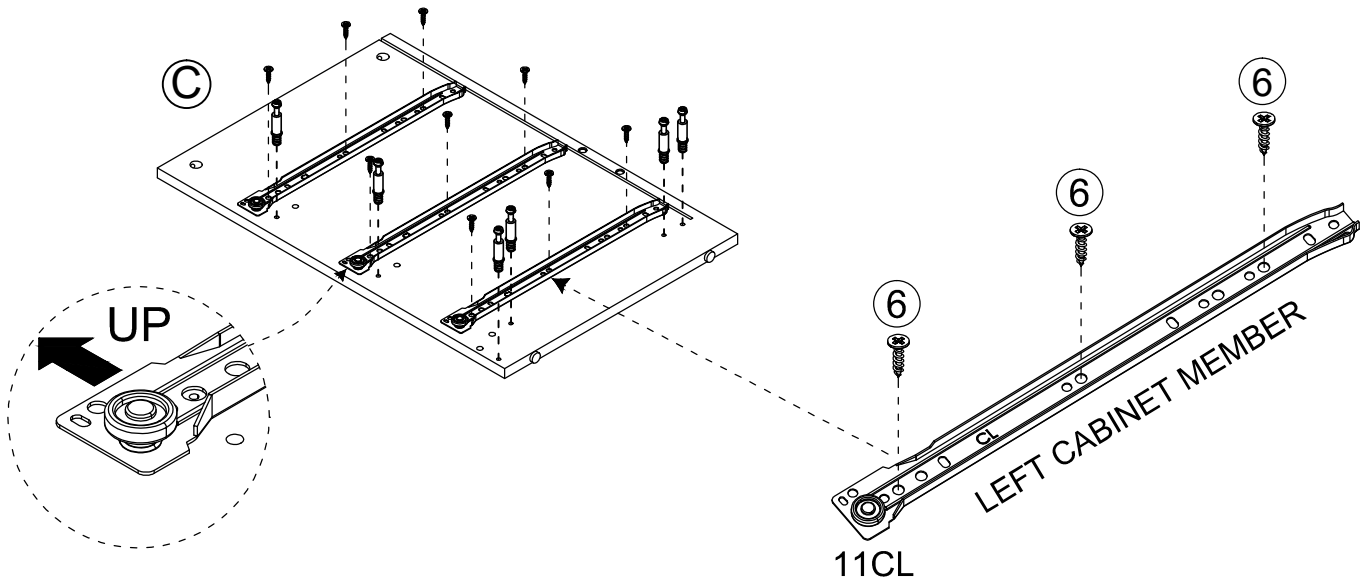
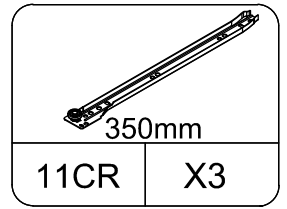
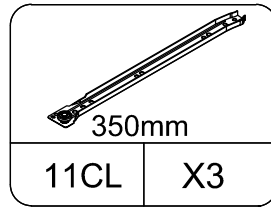
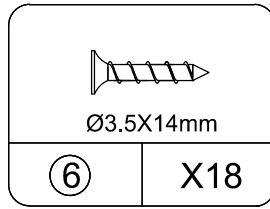
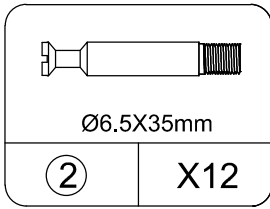
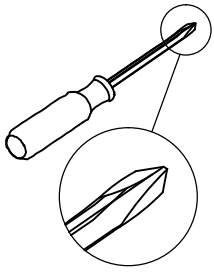


Proper orientation of CAM LOCK

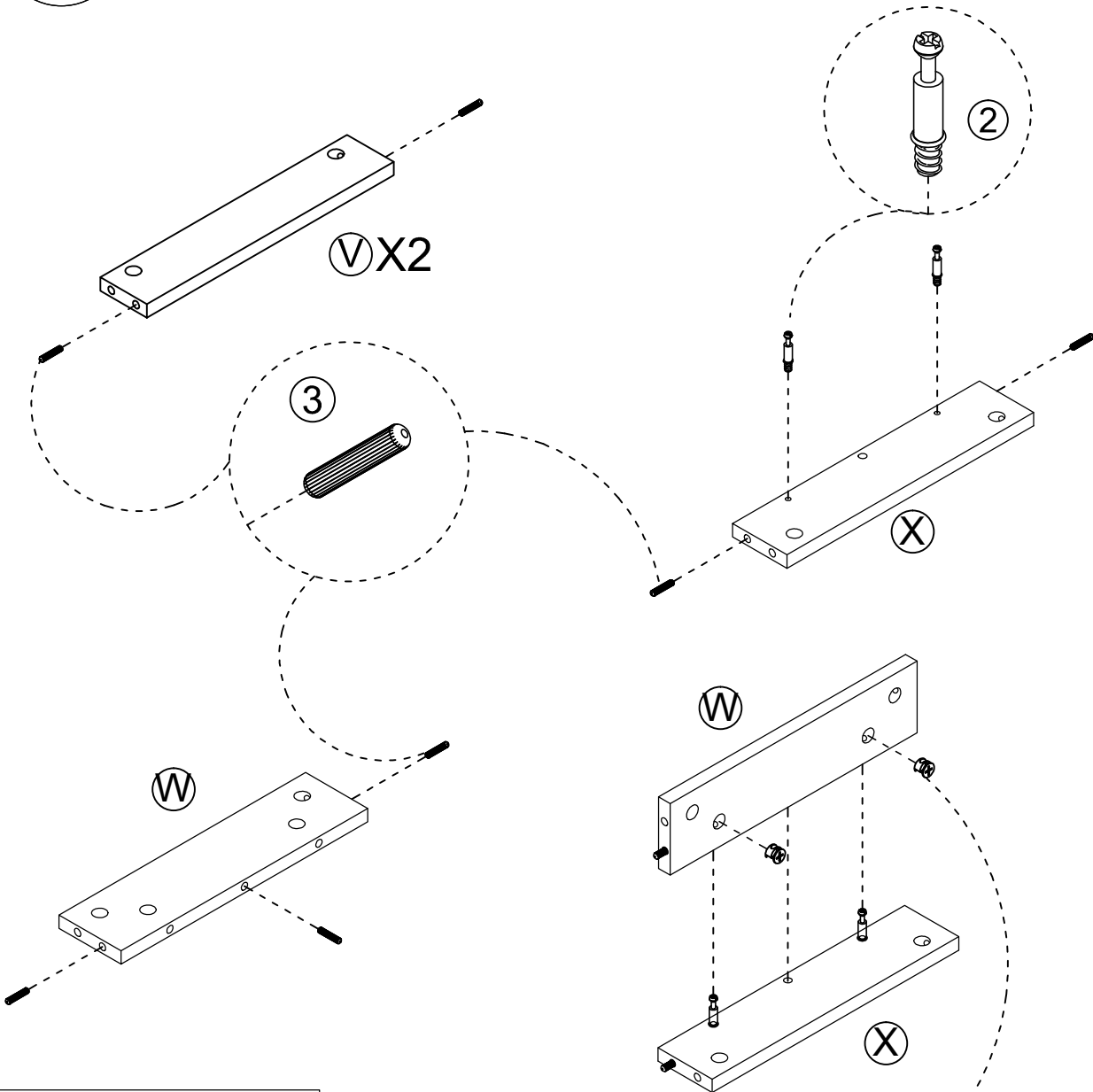
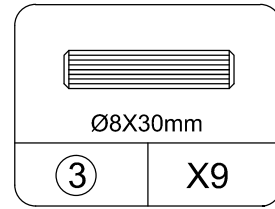
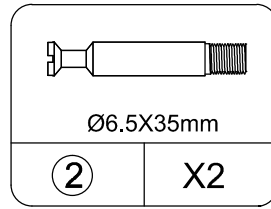
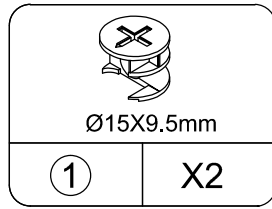
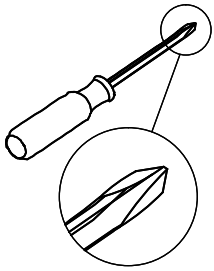
STEP 11



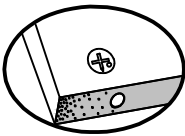
STEP 12



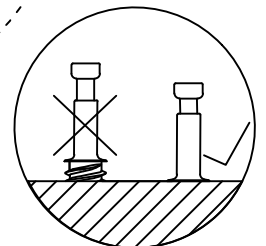
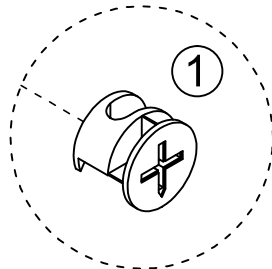
STEP13



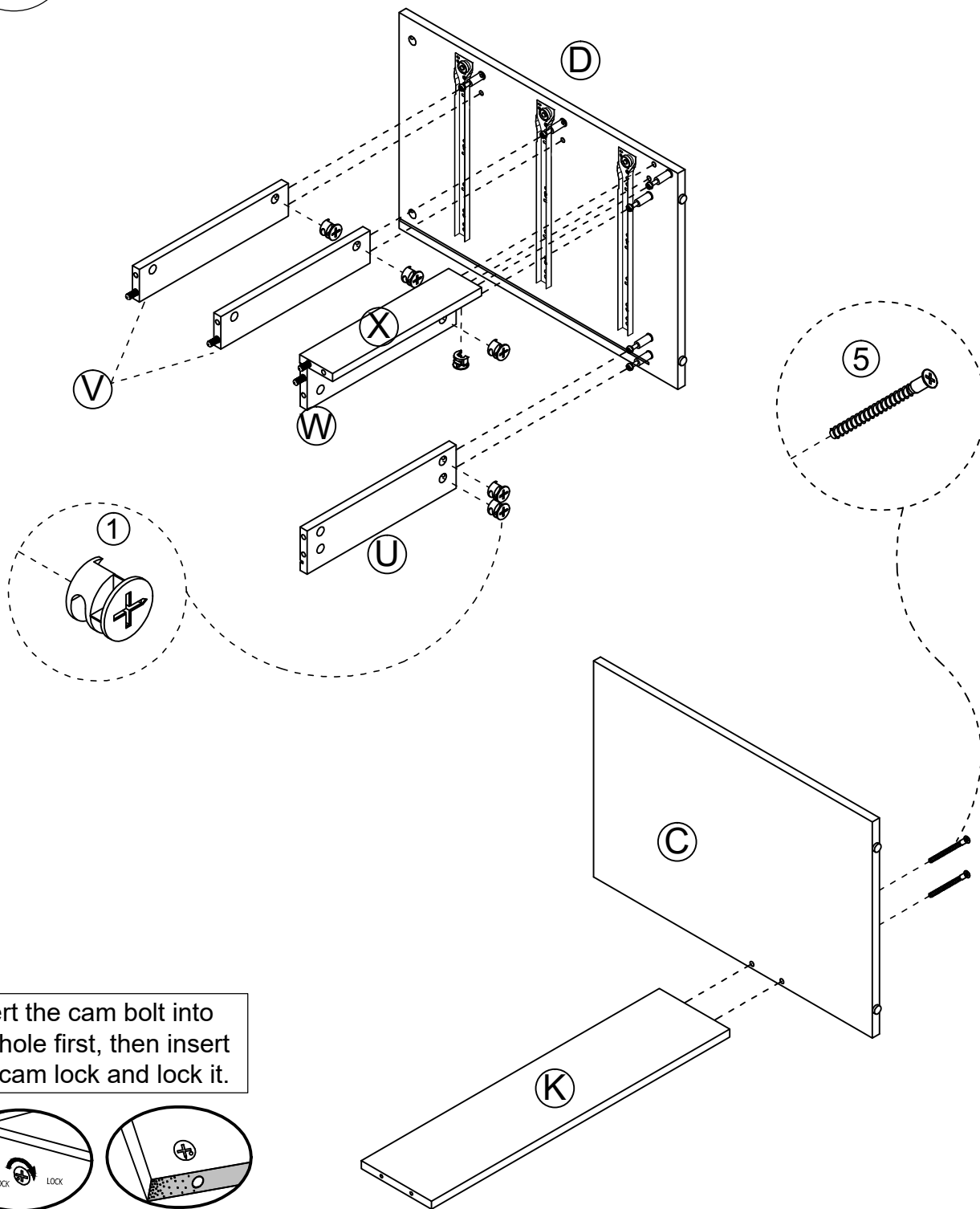
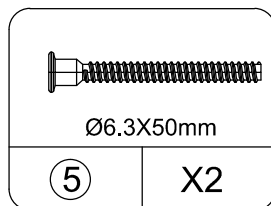
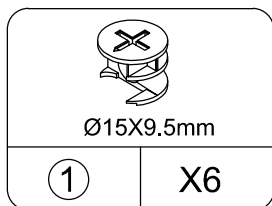
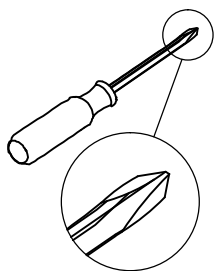
Insert the cam bolt into the hole first, then insert the cam lock and lock it.



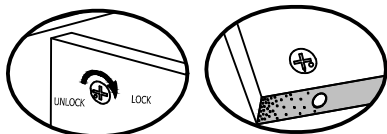
Proper orientation of CAM LOCK



STEP14

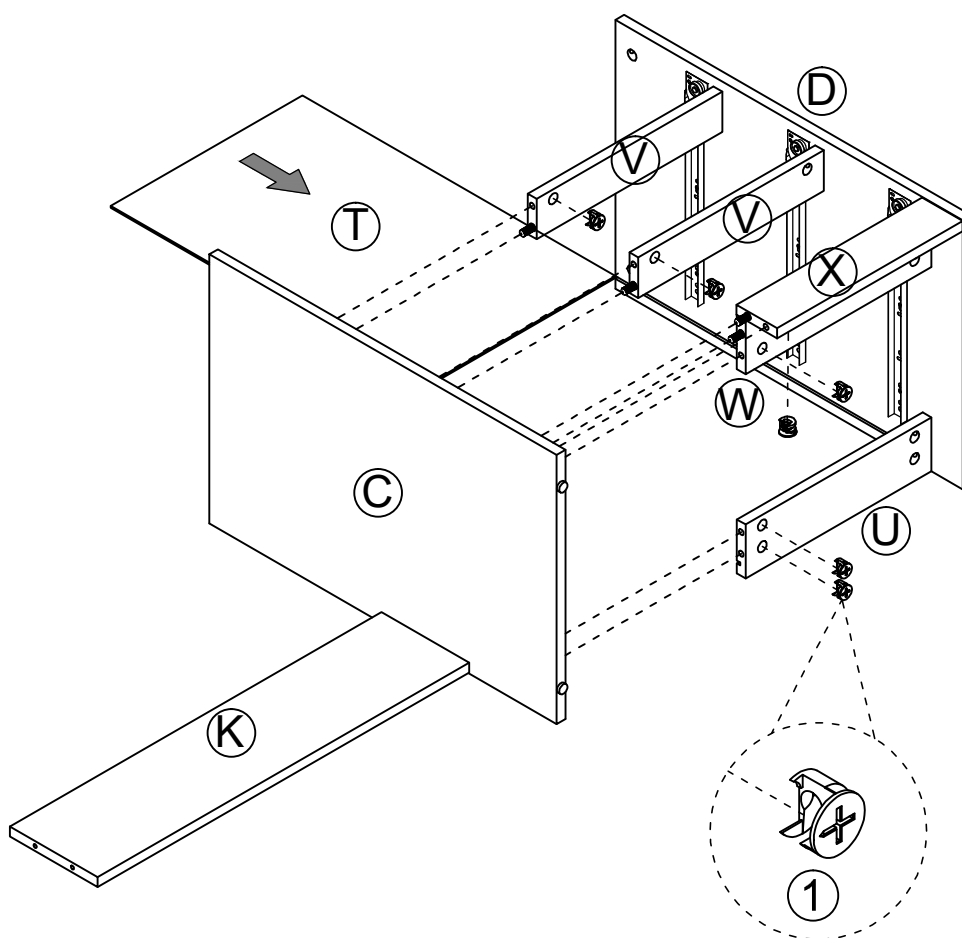
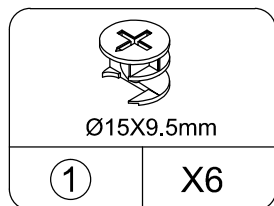
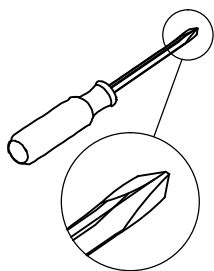


Insert the cam bolt into the hole first, then insert the cam lock and lock it.

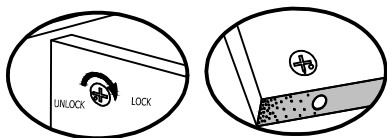


Proper orientation of CAM LOCK

STEP15

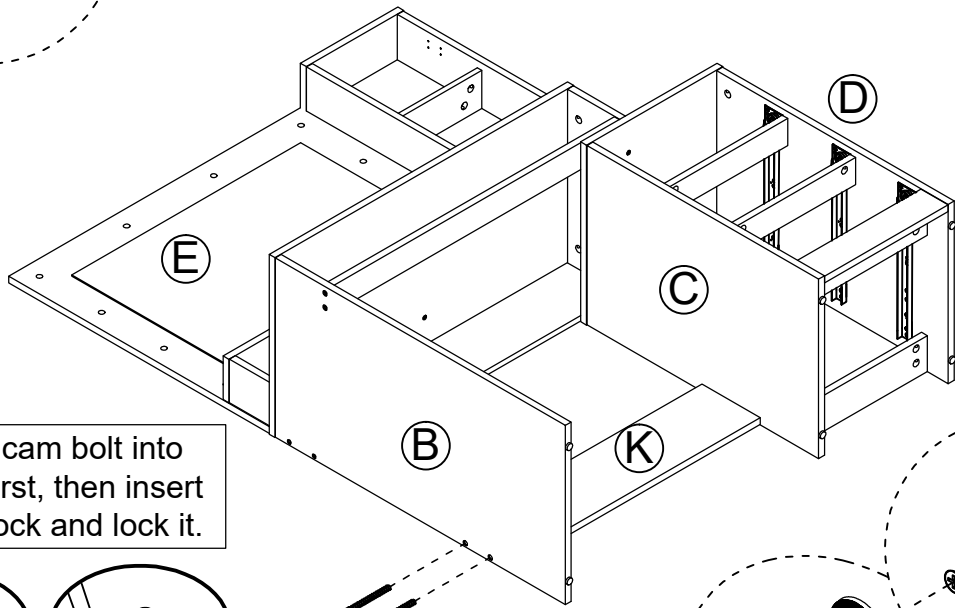
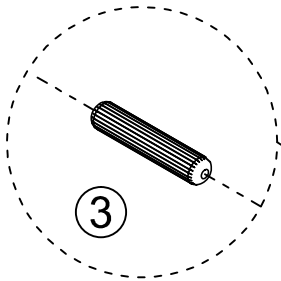
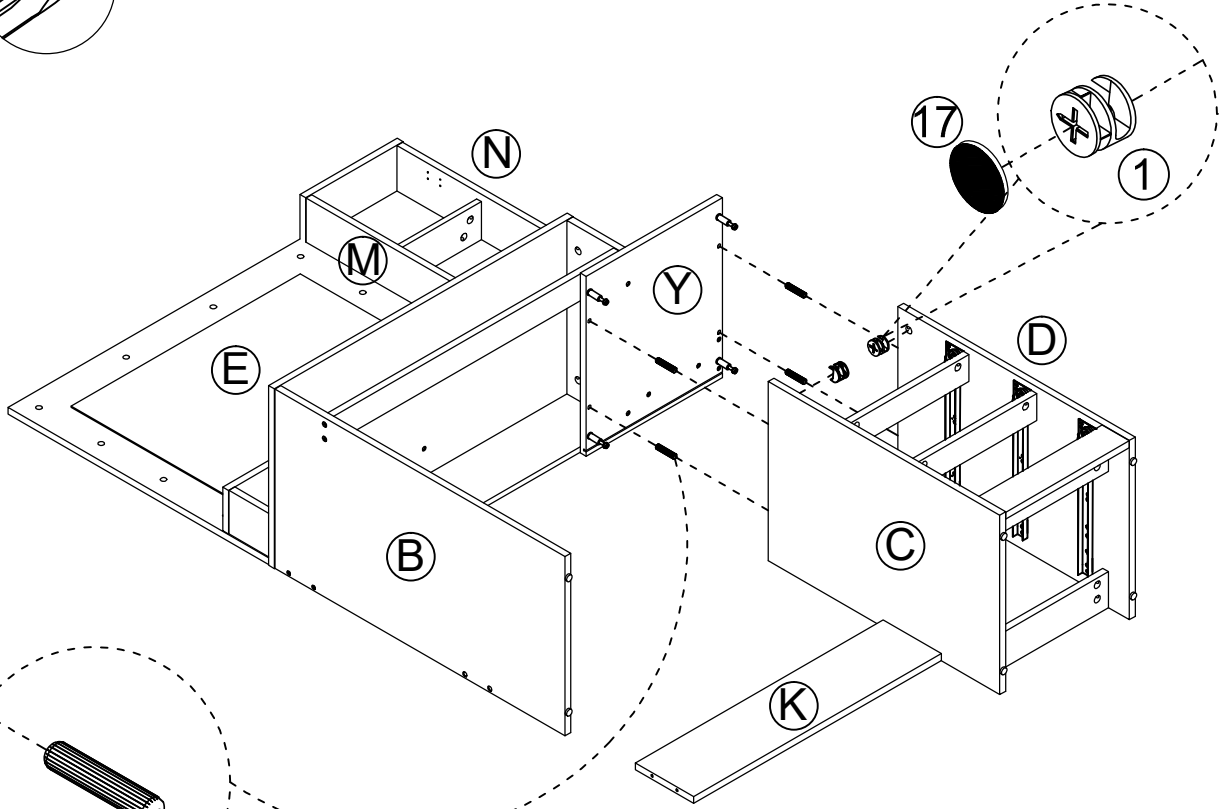
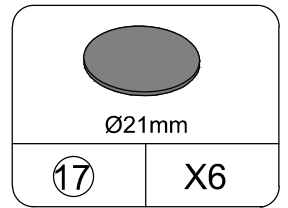
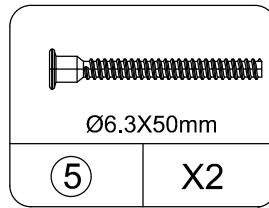
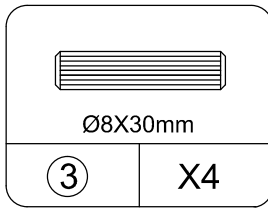
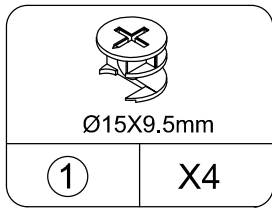
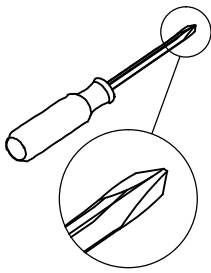


Insert the cam bolt into the hole first, then insert the cam lock and lock it.

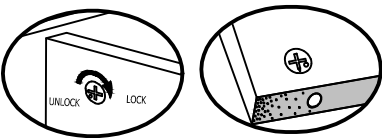


Proper orientation of CAM LOCK

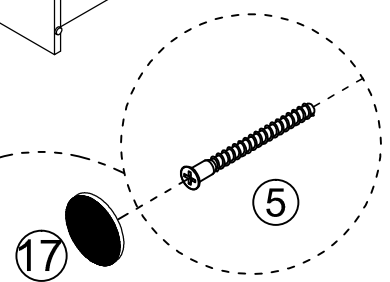
STEP 16



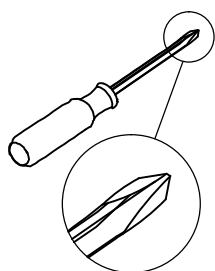
Insert the cam bolt into the hole first, then insert the cam lock and lock it.

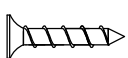



Proper orientation of CAM LOCK

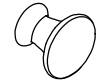


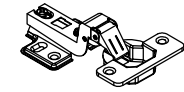
STEP17

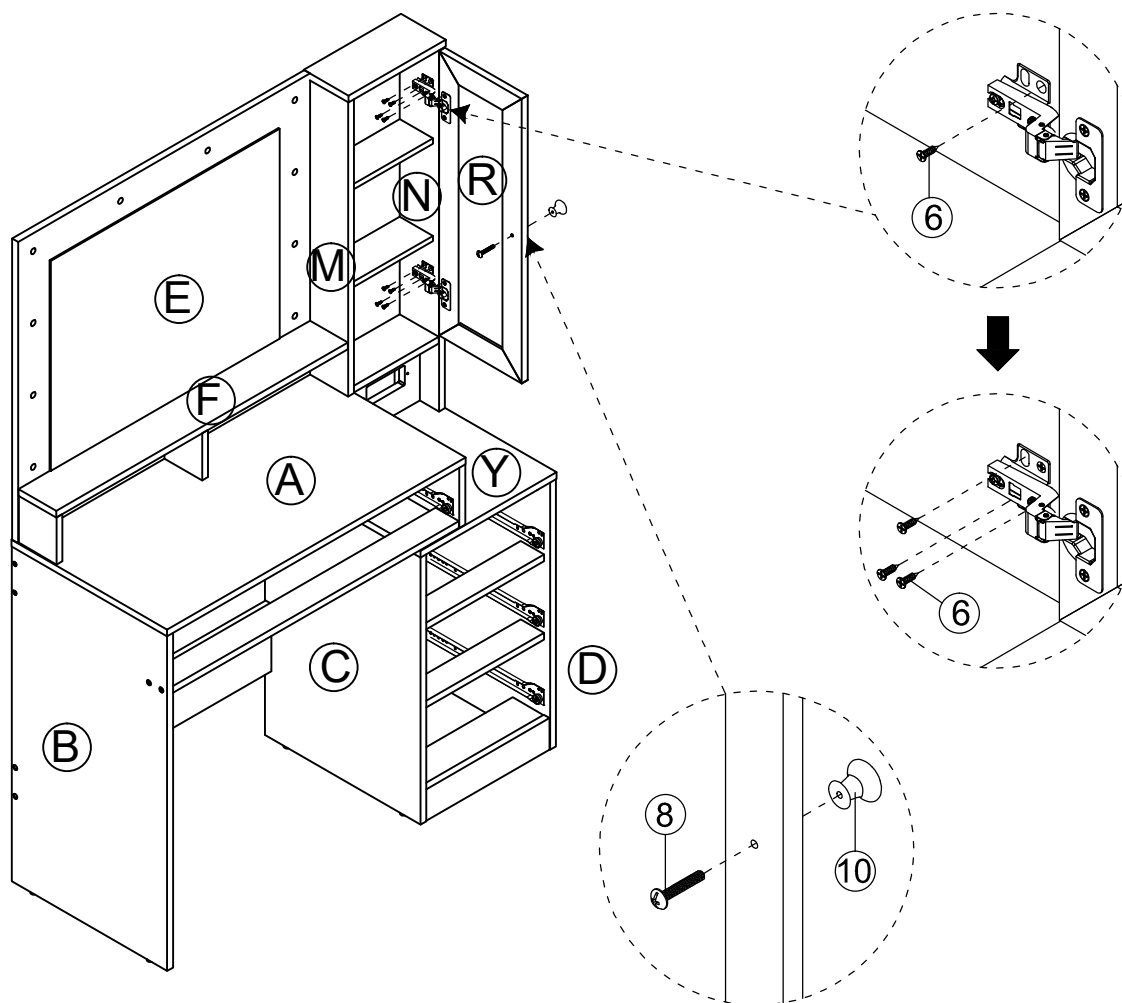
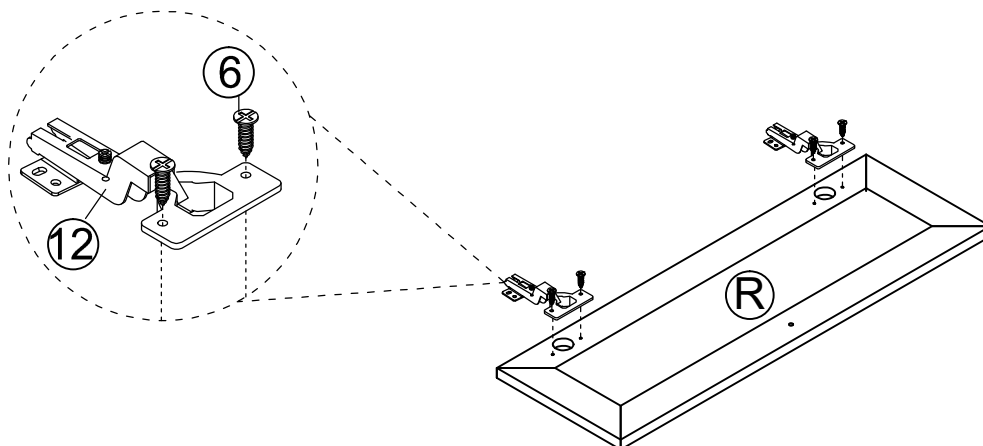


| | |
|---|-----|
|  | |
| Ø3.5X14mm | |
| ⑥ | X12 |

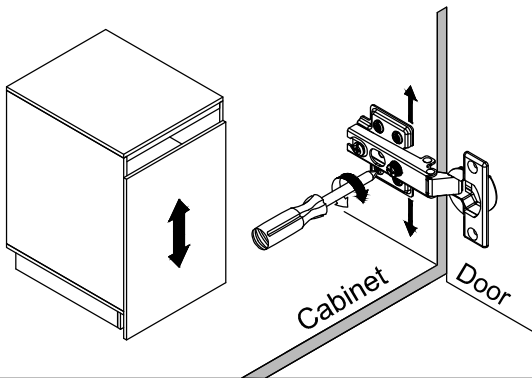
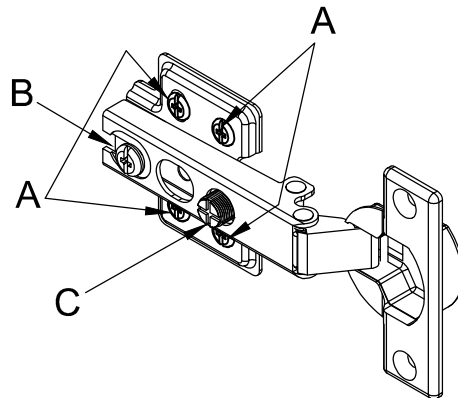
| | |
|---|----|
|  | |
| M4X18mm | |
| ⑧ | X1 |

| | |
|---|----|
|  | |
| Ø25X20mm | |
| ⑩ | X1 |

| | |
|---|--|
|  | |
| ⑫ | |
| X2 | |

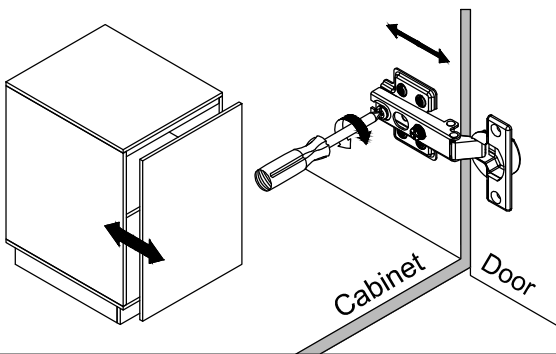


STEP18



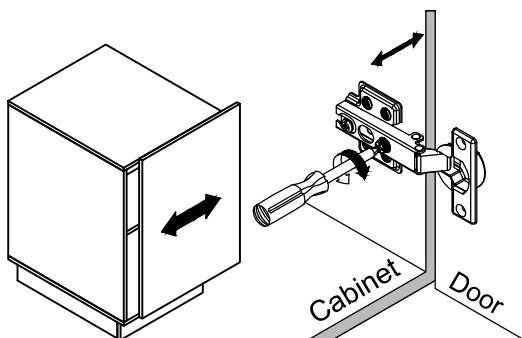
To adjust the vertical height.

Loosen the four screws "A" on both hinges. Two of them are in slotted holes which allows you to adjust up or down by a few mm. Then tighten back up.



To adjust depth.

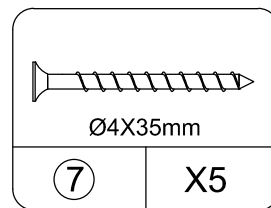
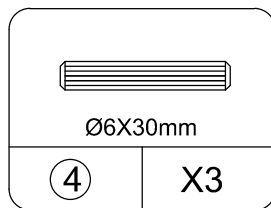
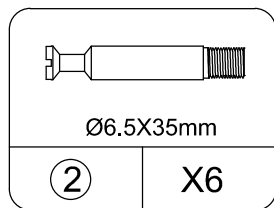
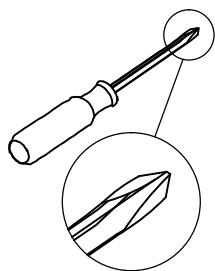
Loosen screw "B" and adjust door, if the door can not be adjusted, "C", then try again. Tighten screw "B" and "C".



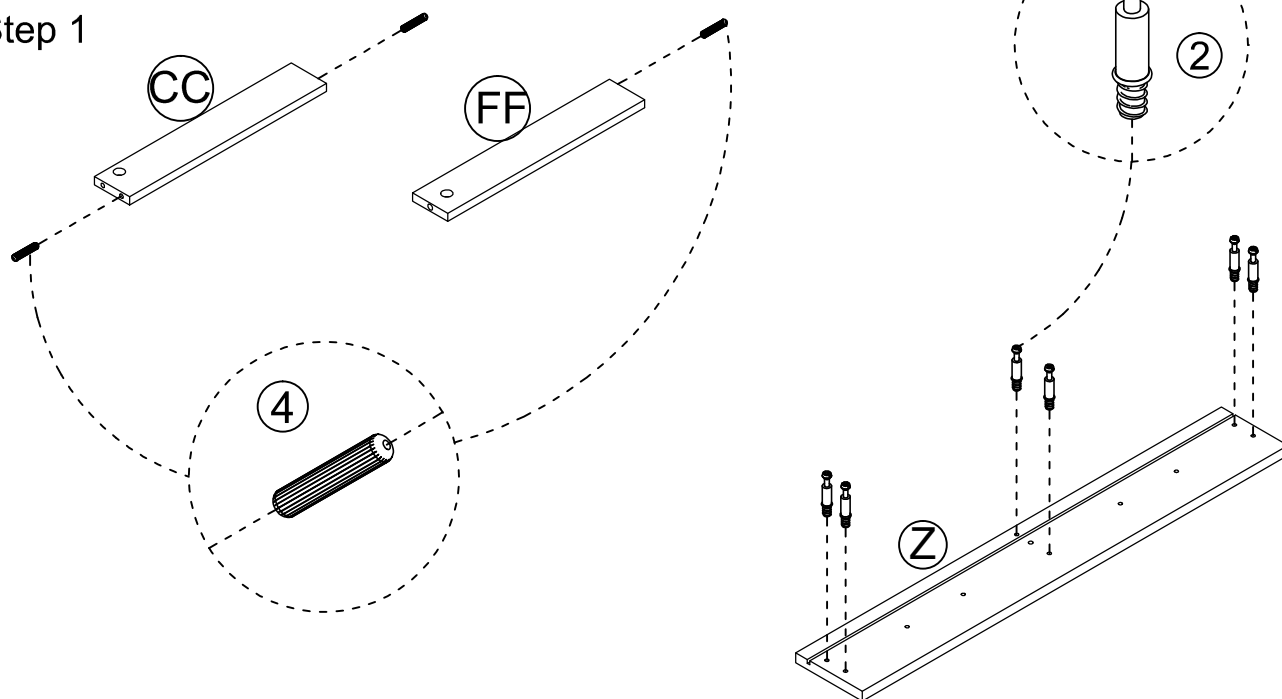
To adjust side ways.

Turning the screw on BOTH hinges on each door.

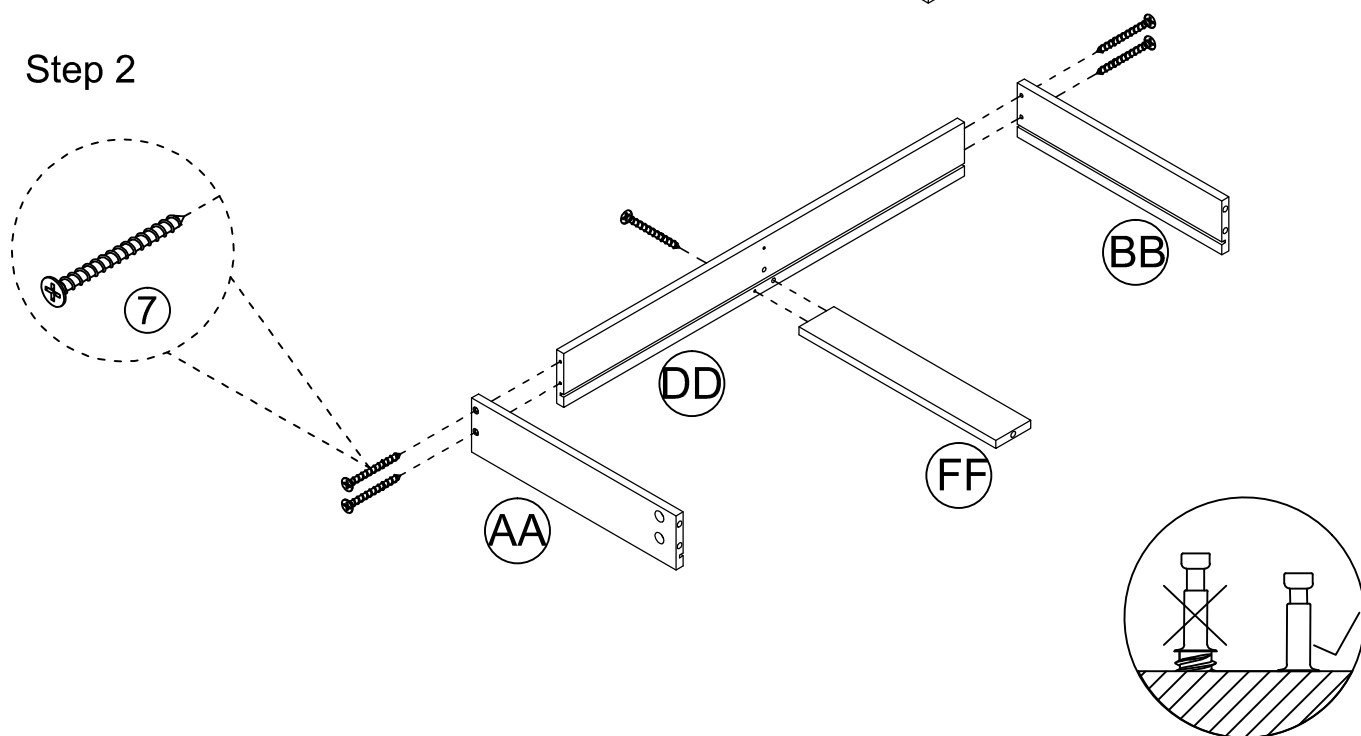
STEP 19



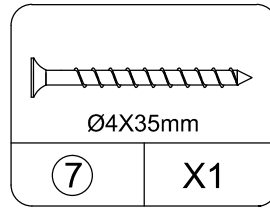
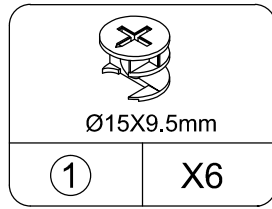
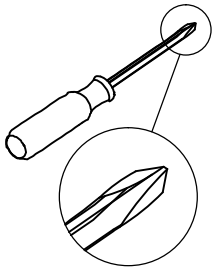
Step 1



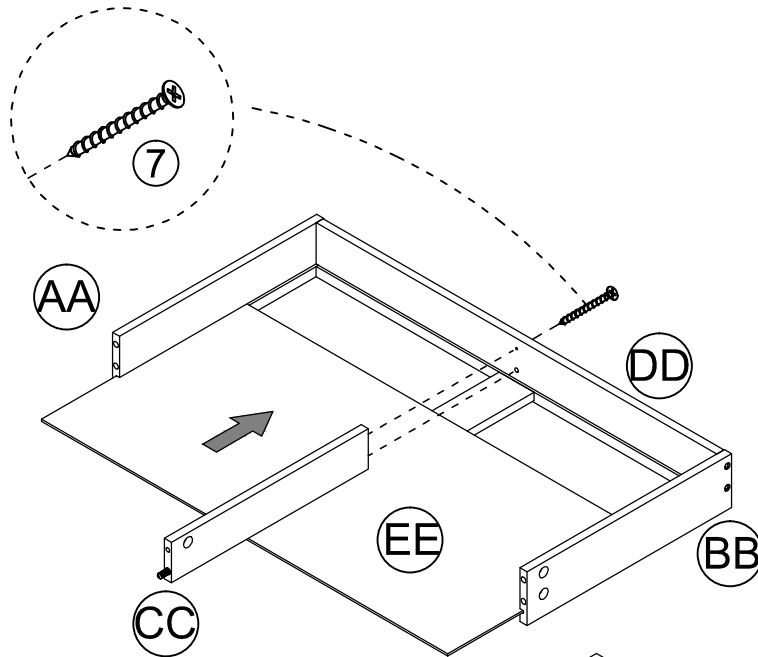
Step 2



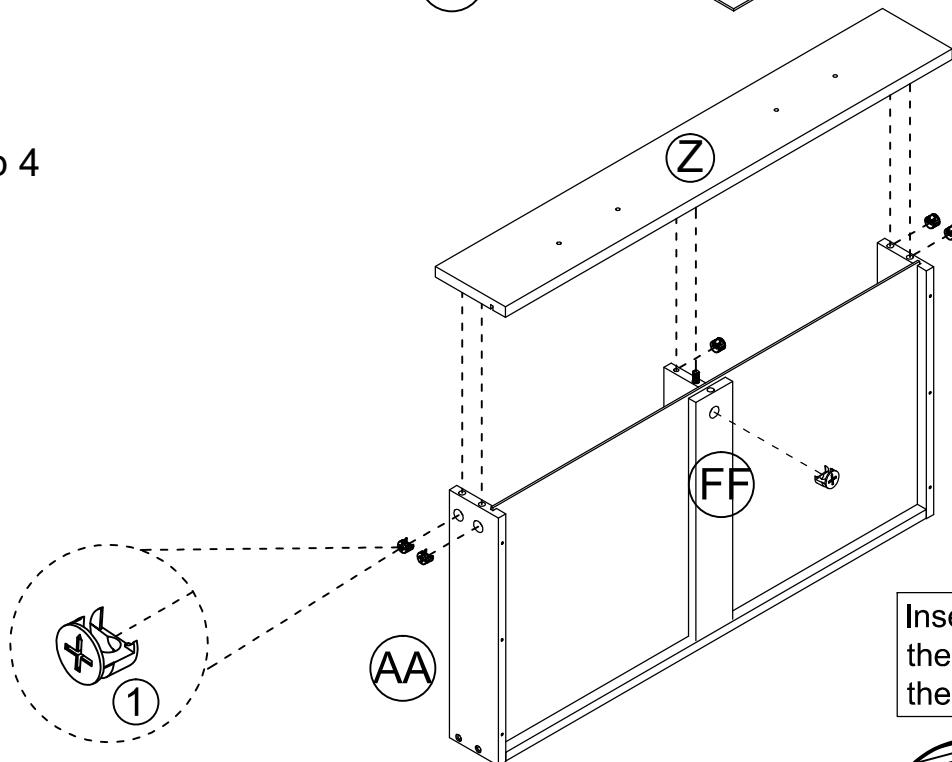
STEP20



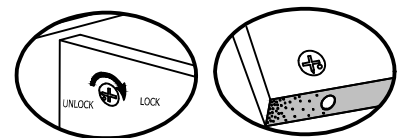
Step 3



Step 4

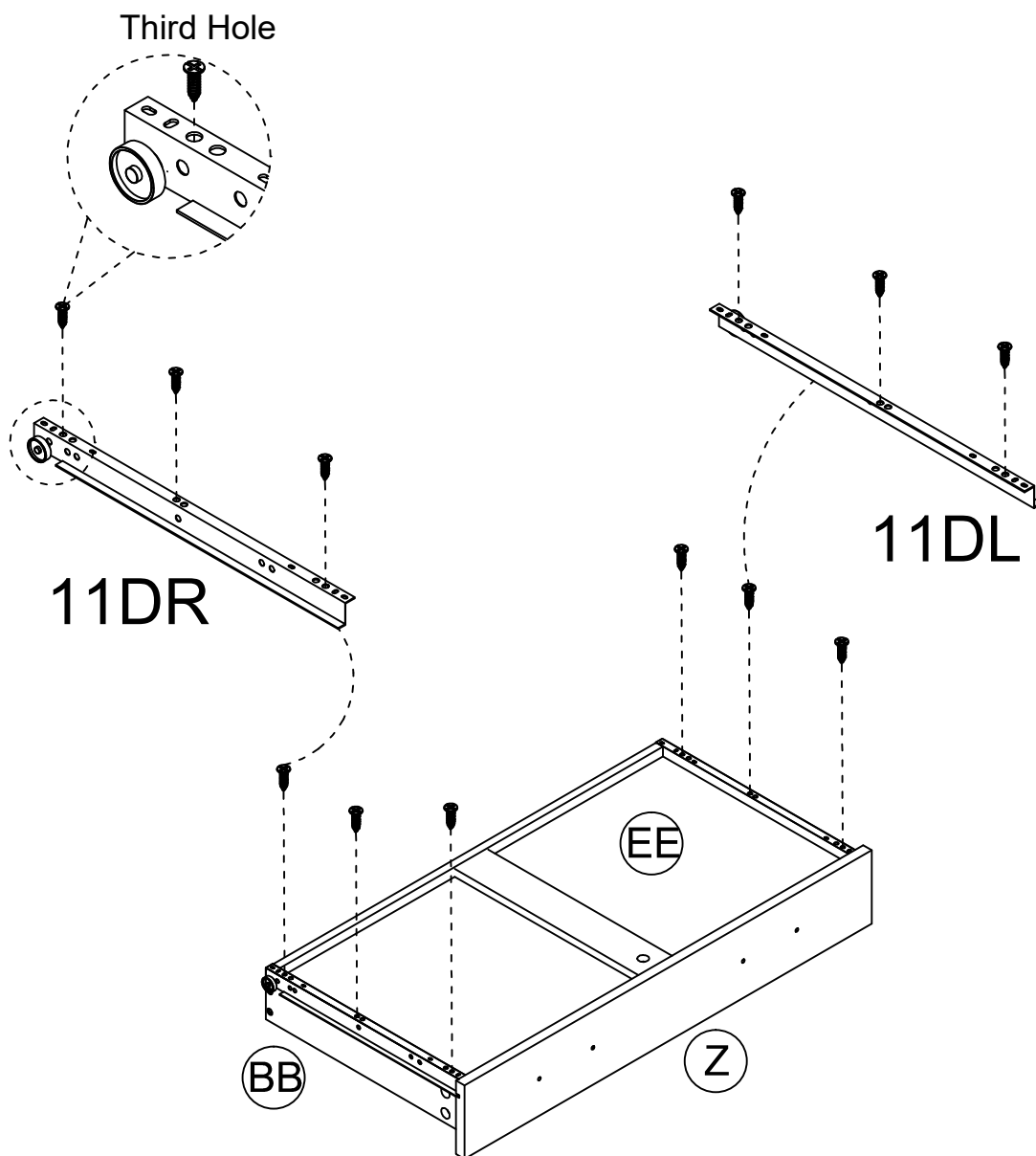
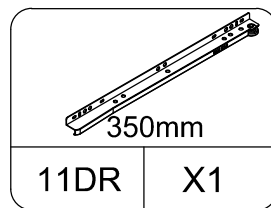
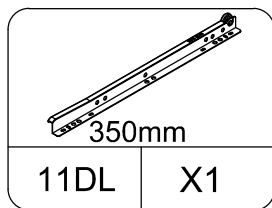
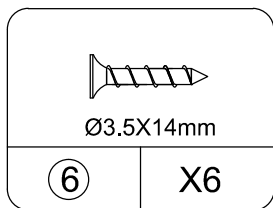
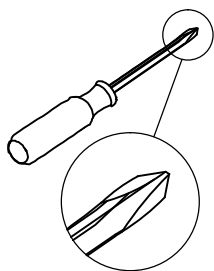


Insert the cam bolt into the hole first, then insert the cam lock and lock it.

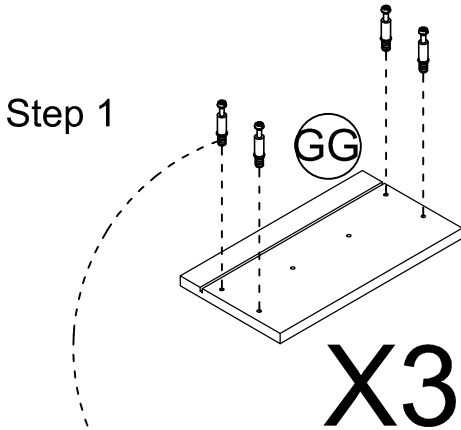
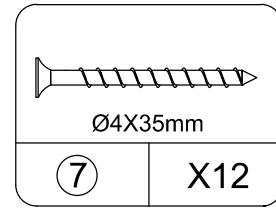
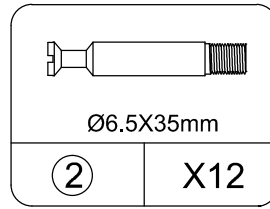
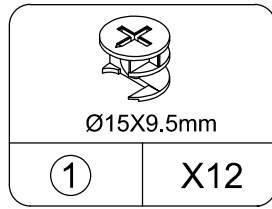
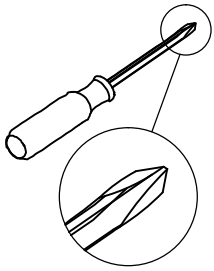


Proper orientation of CAM LOCK

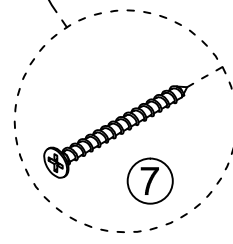
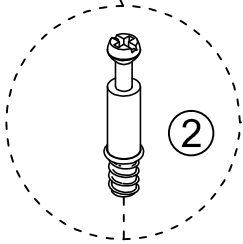
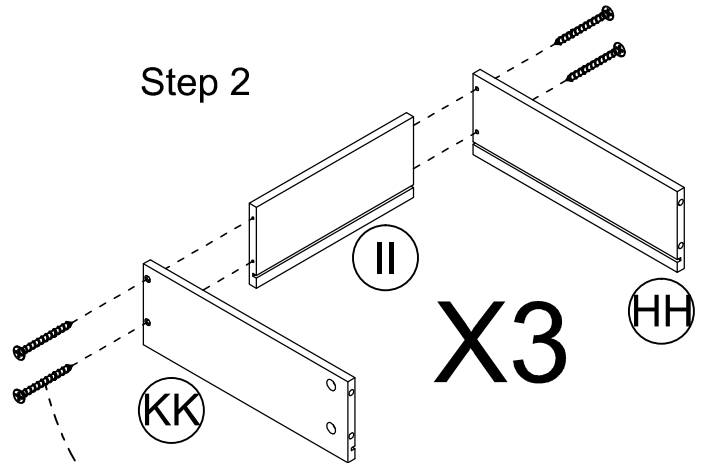
STEP21



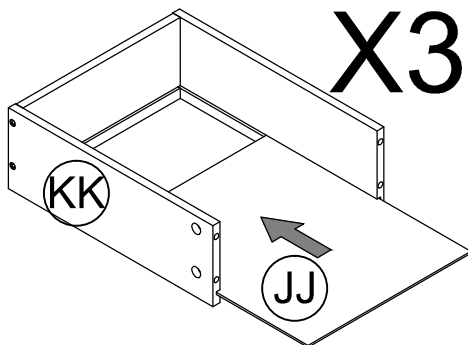
STEP 22



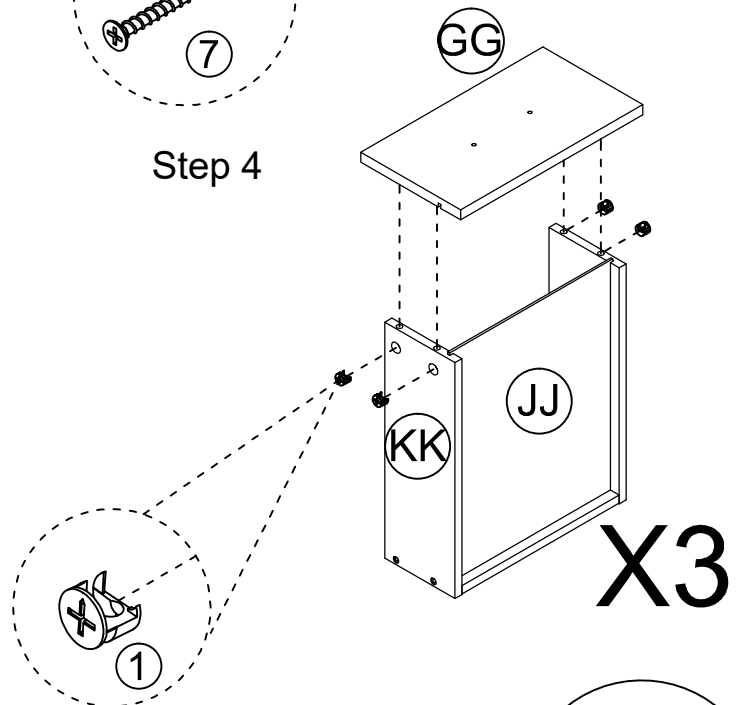
Step 2



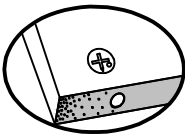
Step 3



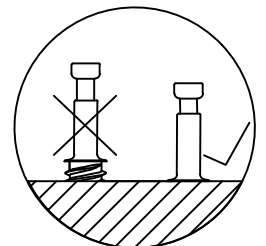
Step 4



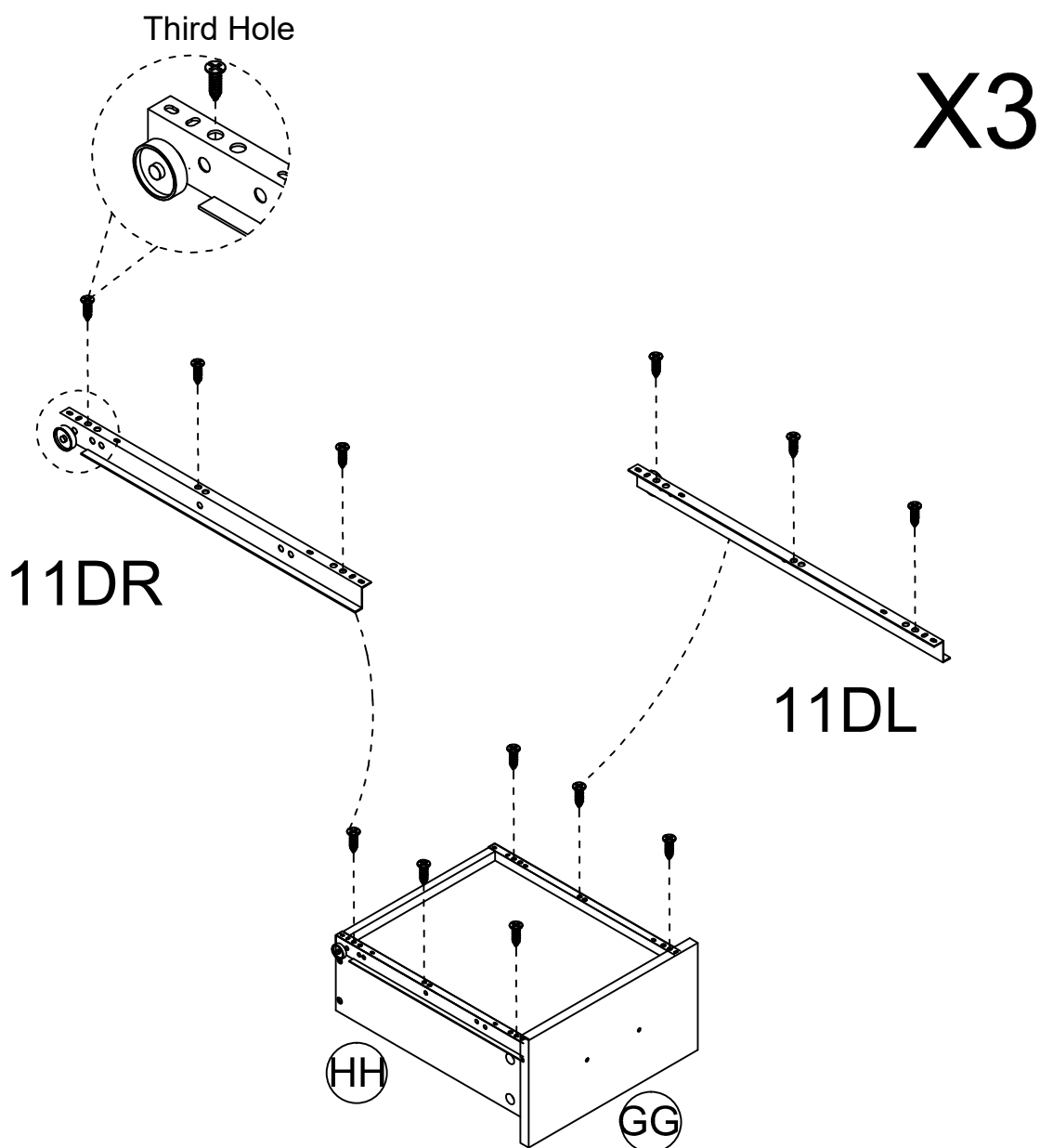
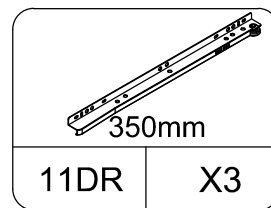
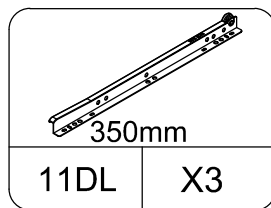
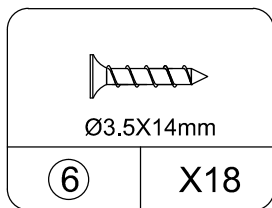
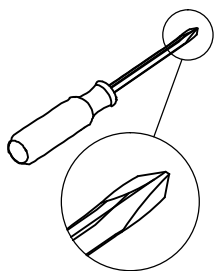
Insert the cam bolt into the hole first, then insert the cam lock and lock it.



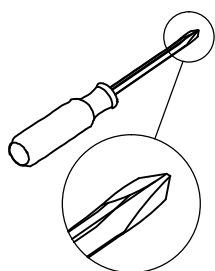
Proper orientation of CAM LOCK





STEP23

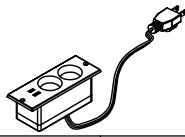


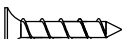
STEP24

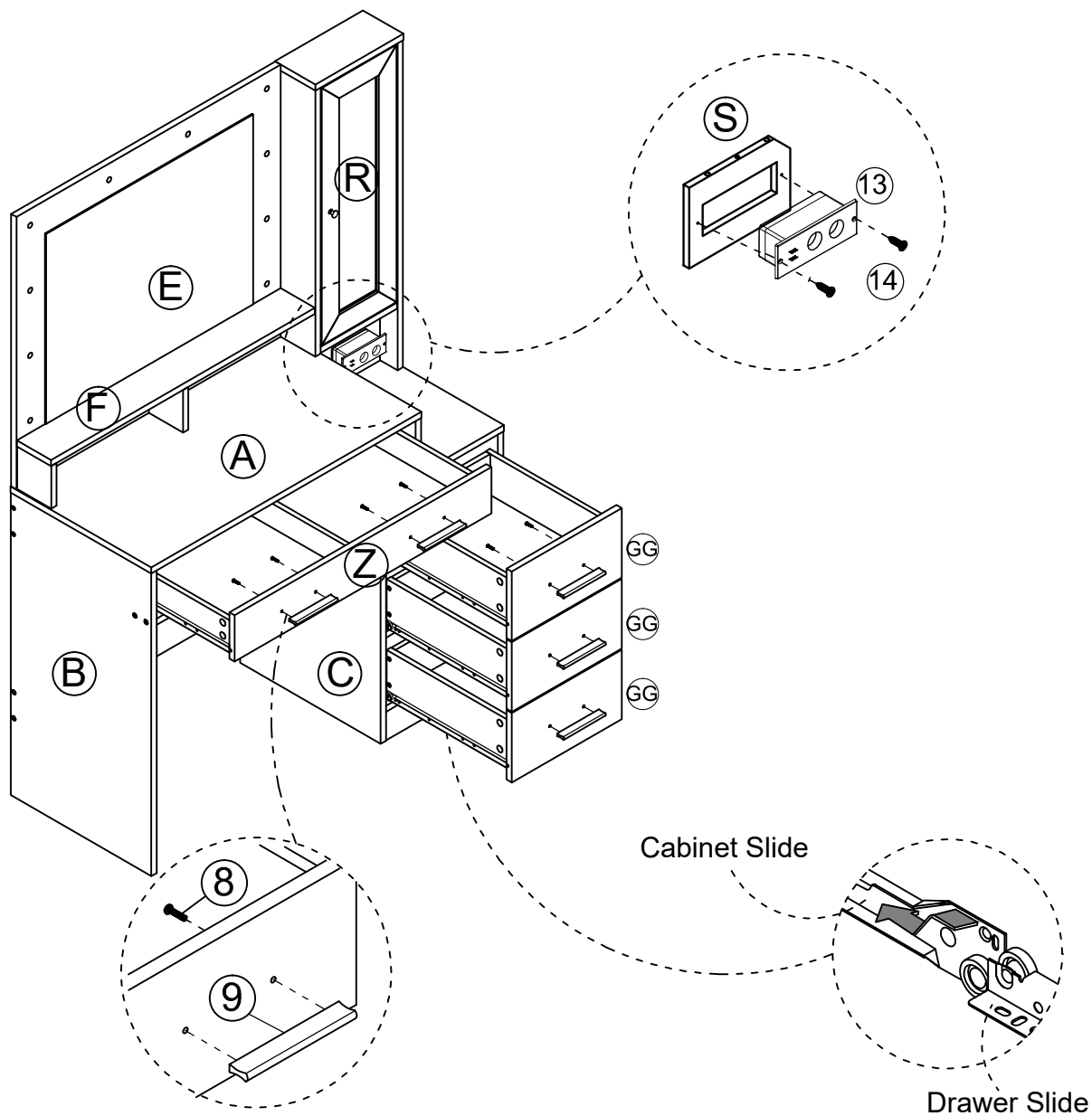


| | |
|---|-----|
|  | |
| M4X18 mm | |
| 8 | X10 |

| | |
|---|----|
|  | |
| 106X16X8mm | |
| 9 | X5 |

| | |
|--|----|
|  | |
| | |
| 13 | X1 |

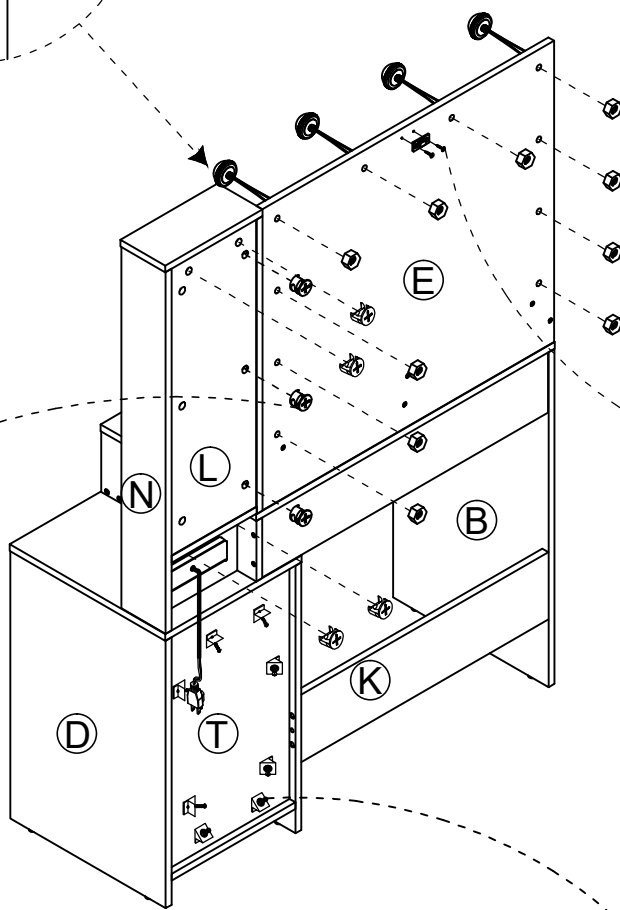
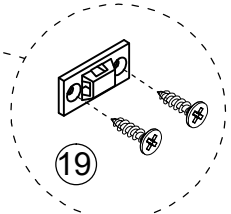
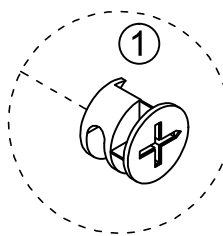
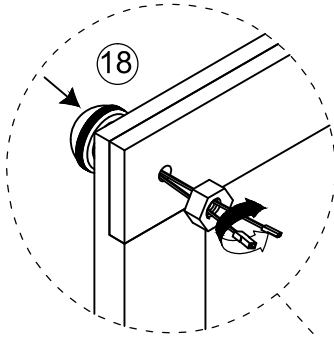
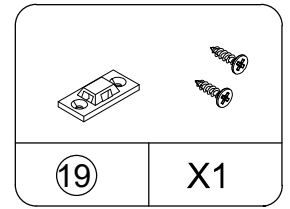
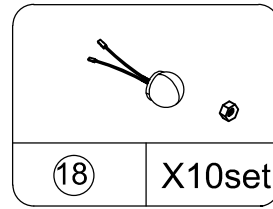
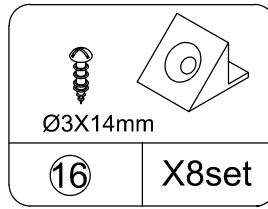
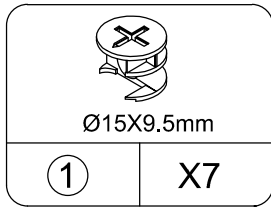
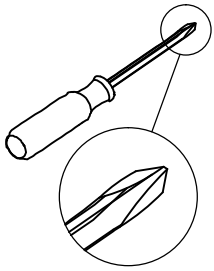
| | |
|---|----|
|  | |
| Ø3X12mm | |
| 14 | X2 |



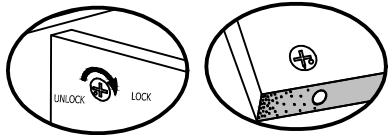
Cabinet Slide

Drawer Slide

STEP 25

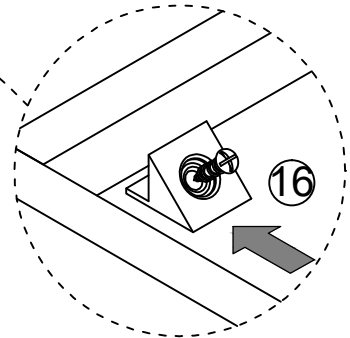


Insert the cam bolt into the hole first, then insert the cam lock and lock it.



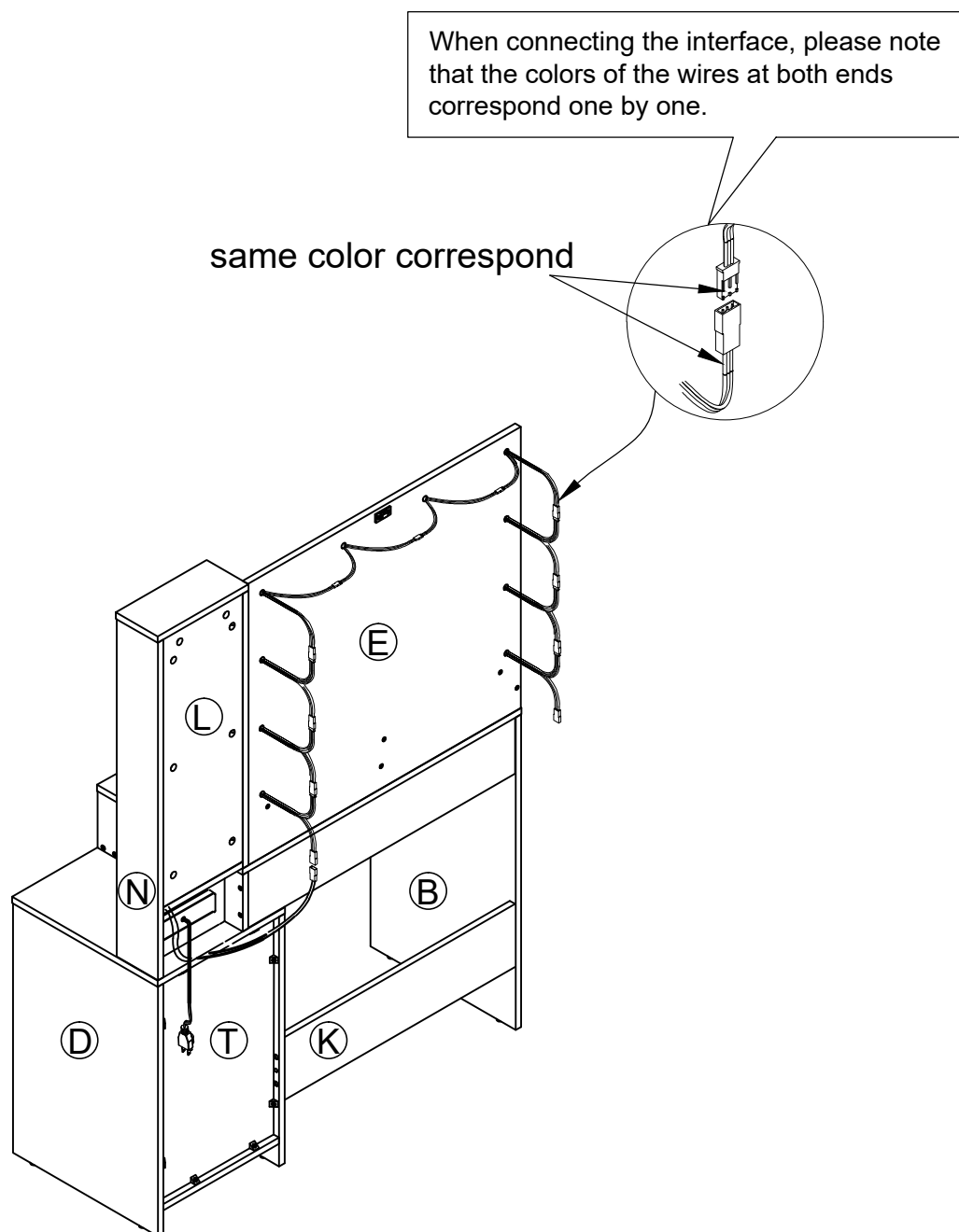
Proper orientation of CAM LOCK

Insert the plastic buckle plate slot, screw through the hole in the plastic buckle and lock it in place.

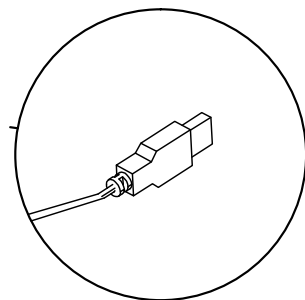
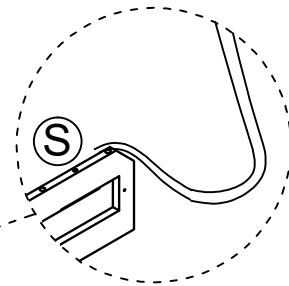
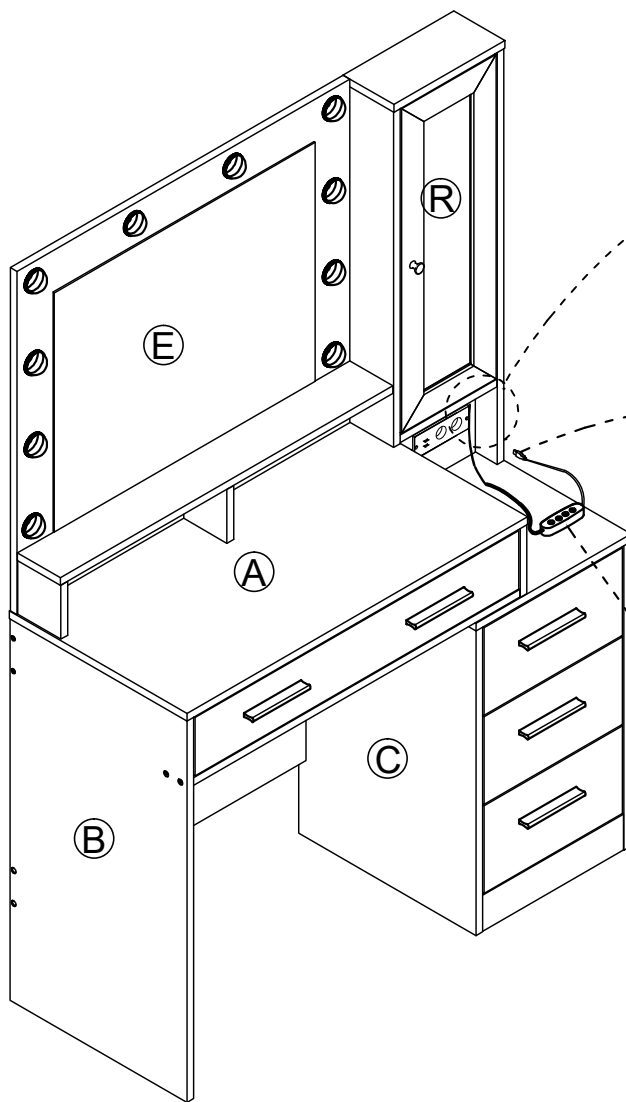
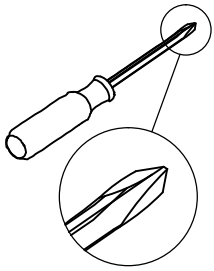


STEP26

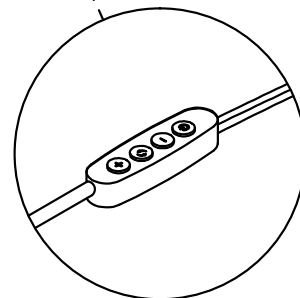
Pass the bulb wire through the pre punched plate, then gently press the bulb and make it adhere to the plate, and then connect the adjacent bulbs successively through the wire head slot on the opposite side (corresponding to the line of the same color).



STEP27

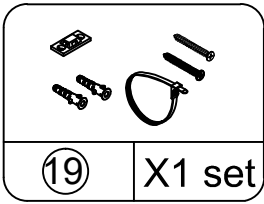


USB power adapter



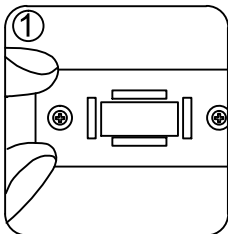
Switch regulator

STEP28

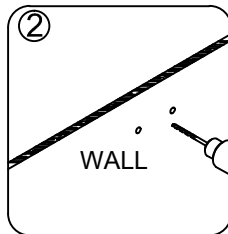


NOTE:The tipping restraint hardware included is for wooden stud wall construction. It must be attached to a wall stud. Depending upon your wall construction different anchor hardware maybe required. Please contact your local hardware store for assistance. Young children can be seriously injured by tipping furniture. You must install the tipping restraint hardware with the unit to prevent the unit from tipping, causing any accidents or damage. The tipping restraints are intended only as a deterrent and are not a substitute for proper adult supervision. The tipping restraints are not earthquake restraints. If you wish to add the extra security of earthquake restraints, they must be purchased and installed separately.

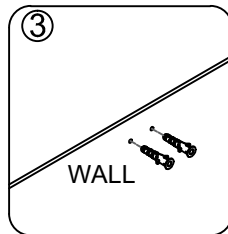
Install the tipping restraint hardware



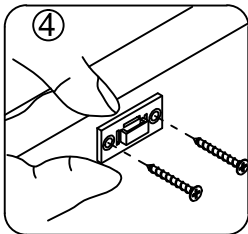
1. make mark on the wall



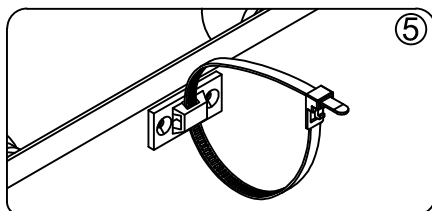
2. drill two Ø6 holes on the wall



3. put two anchors in the holes



4. fix the device on the wall by the long screws



5. Push the cabinet close to the wall so that the two bases are close to each other, and then put on nylon tie to tighten it.

