

Nightstand

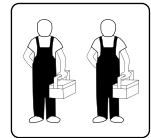
Assembly Instructions



Safety And Care Advice

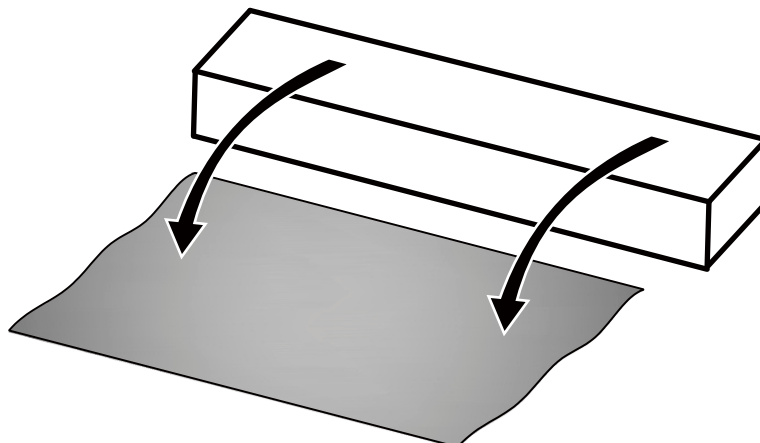
Important – Please read these instructions fully before starting assembly.

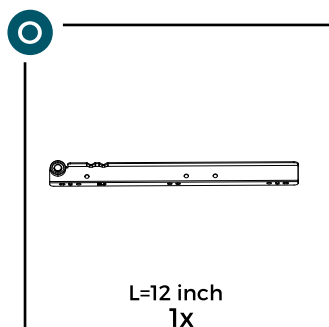
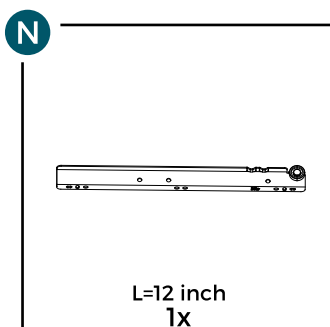
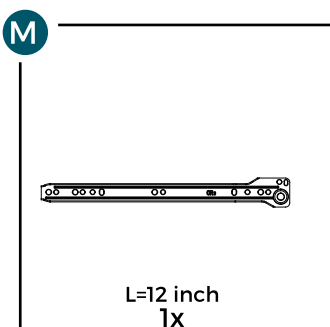
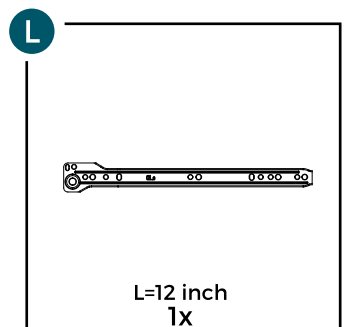
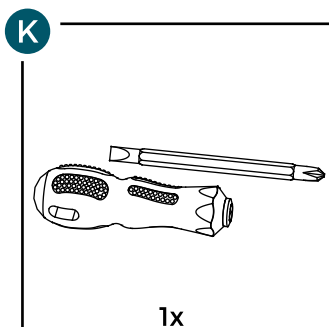
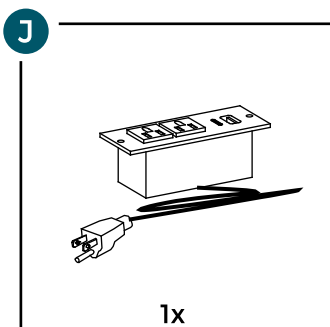
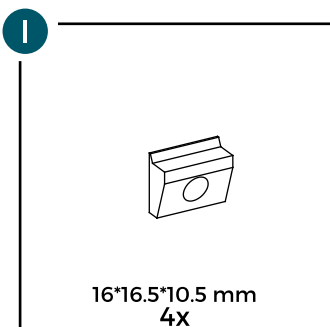
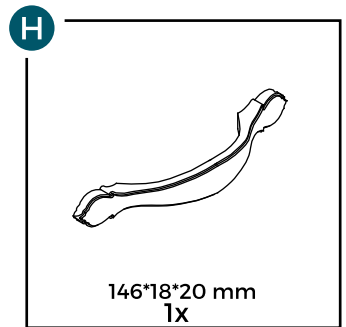
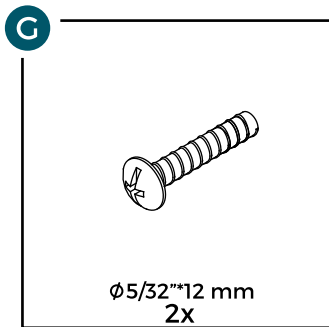
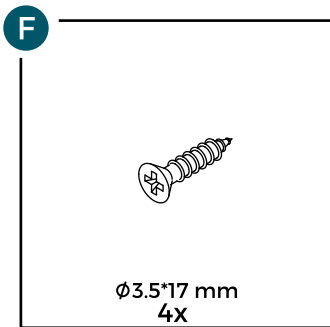
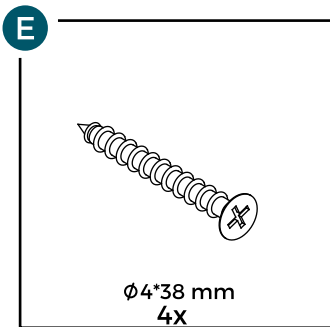
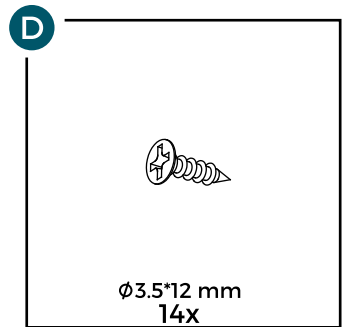
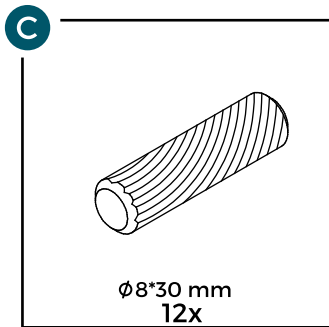
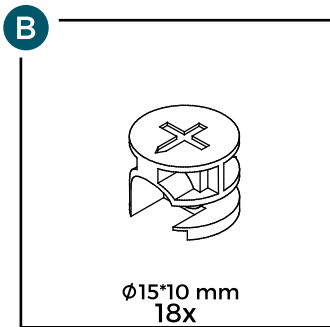
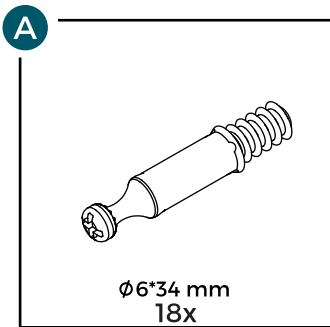
1. Please check if all the components and tools listed out are received.
2. Please remove all fittings from the plastic bags and separate them into homologous groups.
3. Please keep children and animals away from the working areas; swallow small parts may cause suffocation.
4. Please make sure you have enough space to lay out the parts before starting.
5. Do not stand on the product, which could cause damage.
6. Please assemble the product as close to its final position as possible.
7. Do not place furniture directly in front of radiators, fires, or any other source of heat.
8. The assembly will be easier with 2 people.
9. Please dispose of all packaging carefully and responsibly.

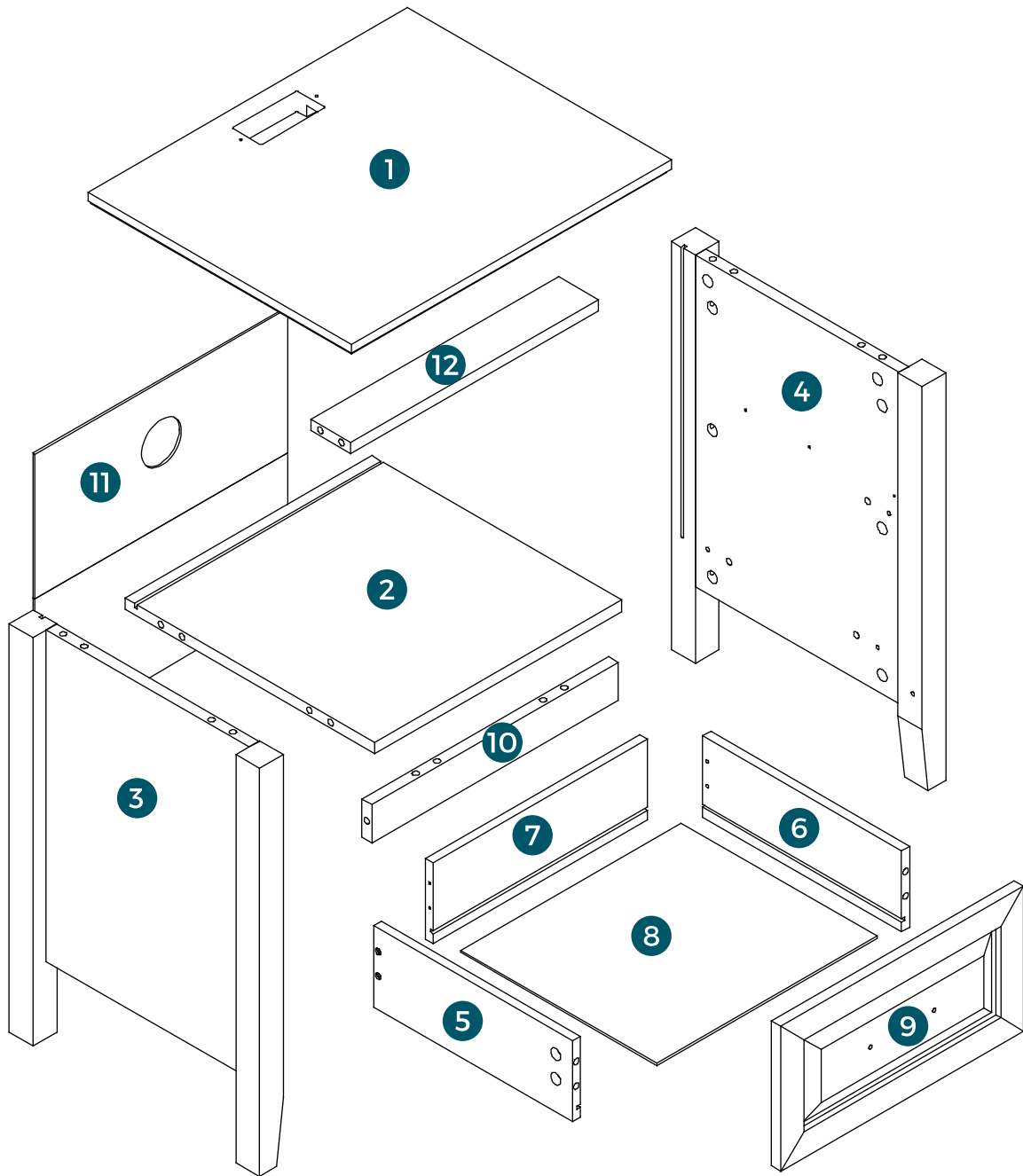


General care and maintenance

1. Please clean with a damp cloth or mild detergent, do not use bleach or abrasive cleaners.
2. Do not allow the spill to stay on the surface for a long time.
3. Do not clean with products containing the following: acetone (e.g., nail varnish remover), ammonia (e.g.bleach), or sodium hydroxide(e.g., caustic soda, drain, and oven cleaners).
4. If the product is accidentally exposed to the irritating liquid, rinse thoroughly with clean water.
5. Mats can be used to protect surfaces from moisture and heat.
6. Please check whether there are missing screws in the product regularly.
7. The product should not be discarded with household waste, and please take it to your local authority waste disposal center.

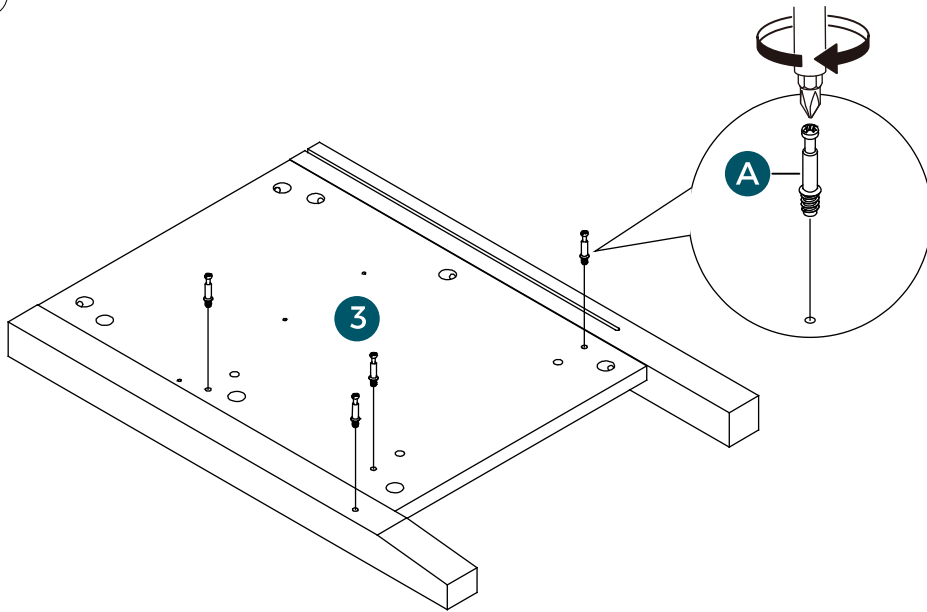
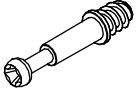






1

A x 4pcs

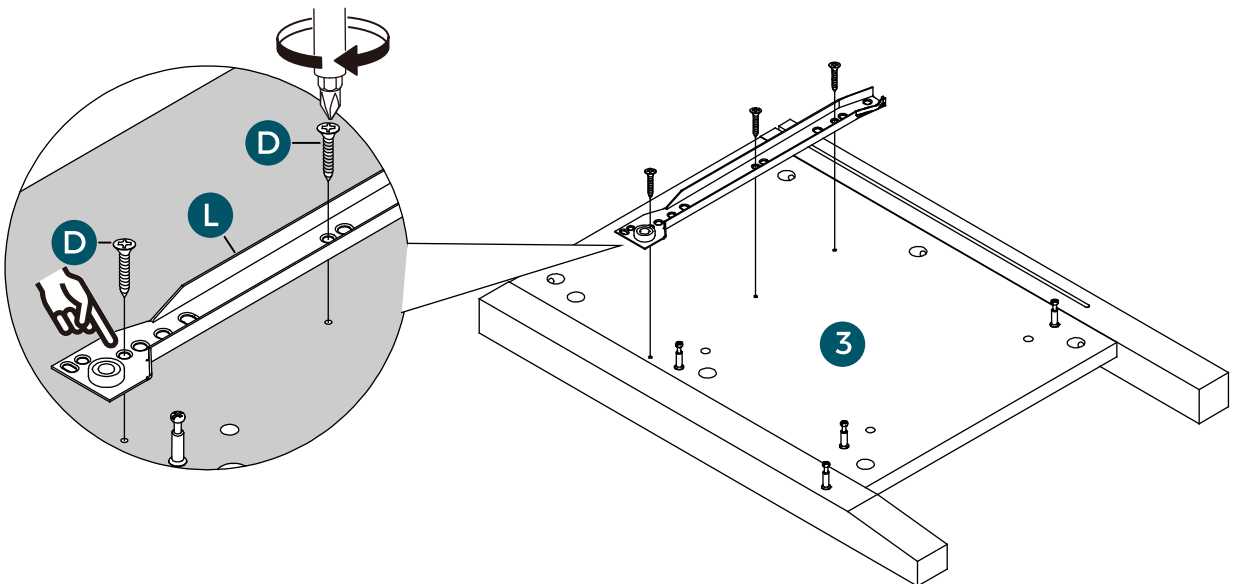


2

D x 3pcs

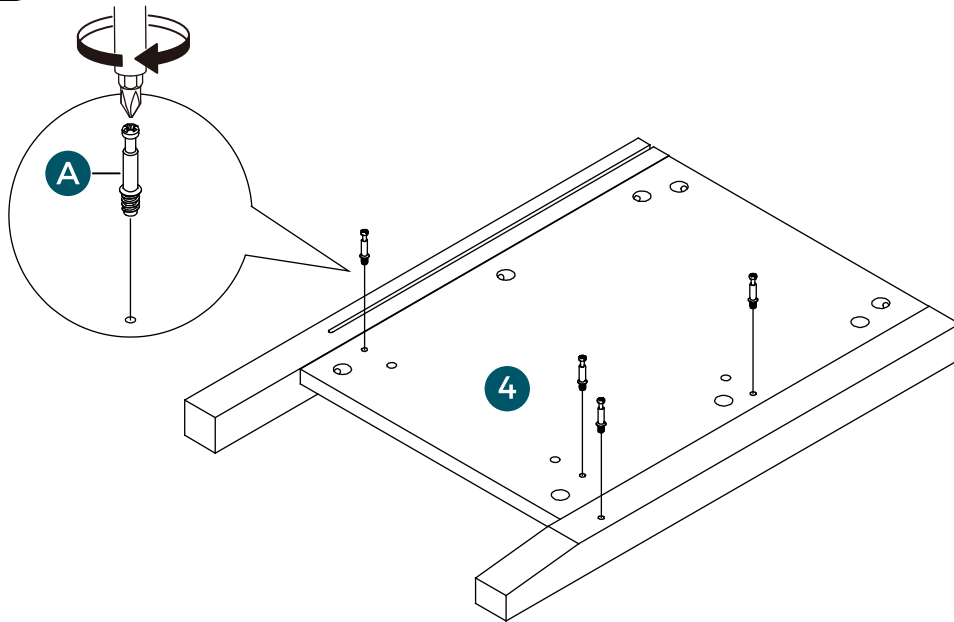
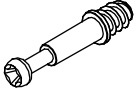


L x 1pcs



3

A x 4pcs

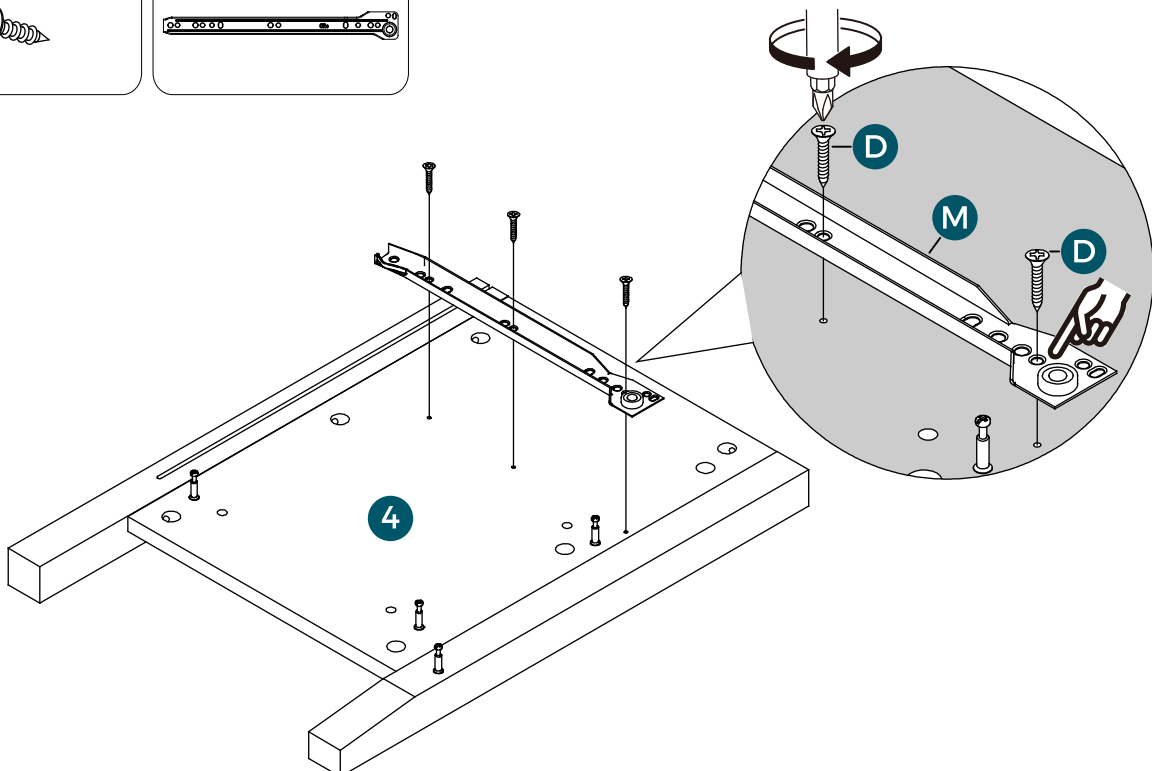


4

D x 3pcs

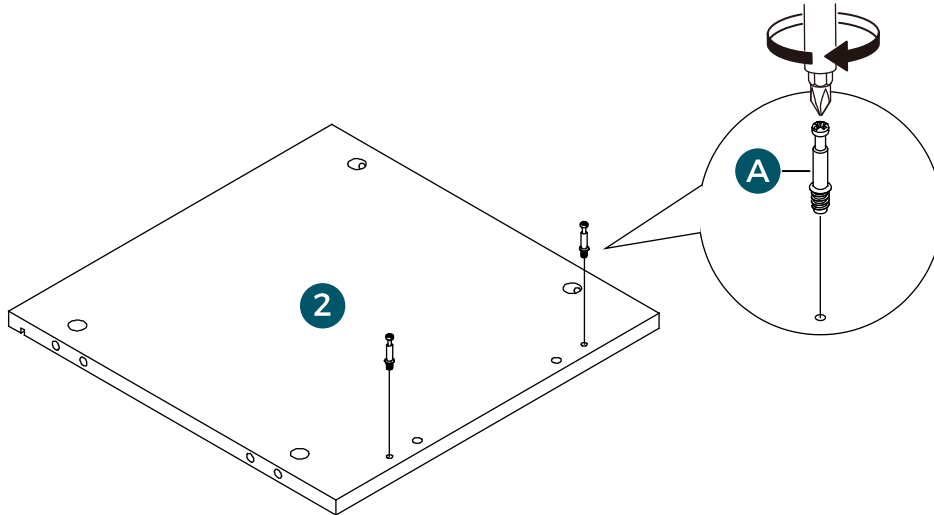
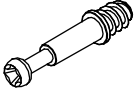


M x 1pcs



5

A x 2pcs

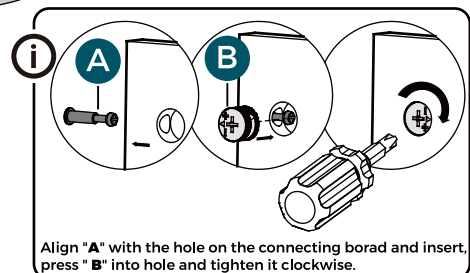
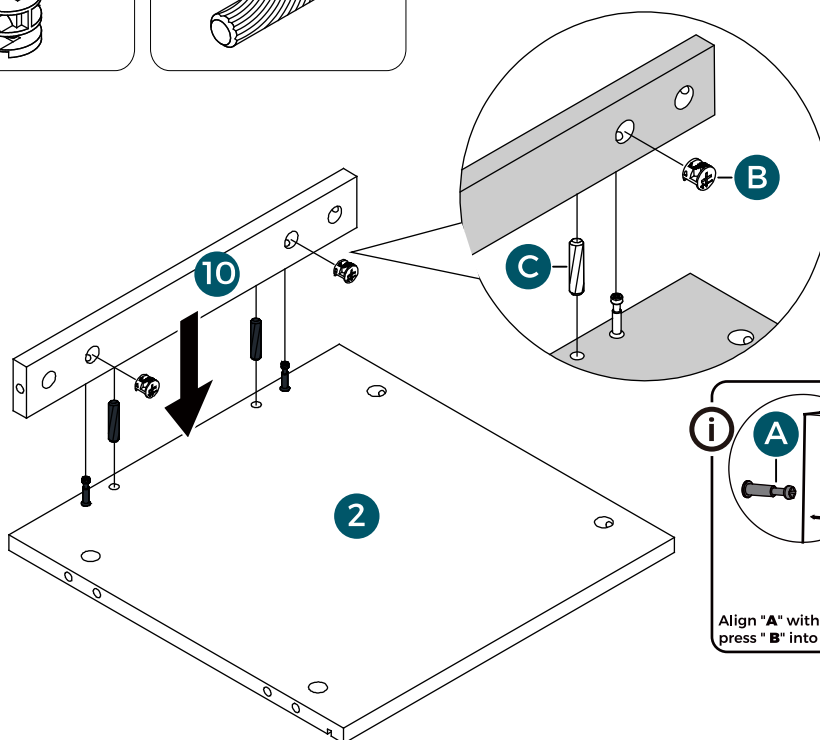
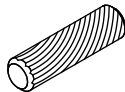


6

B x 2pcs



C x 2pcs



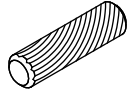
Align "A" with the hole on the connecting board and insert, press "B" into hole and tighten it clockwise.

7

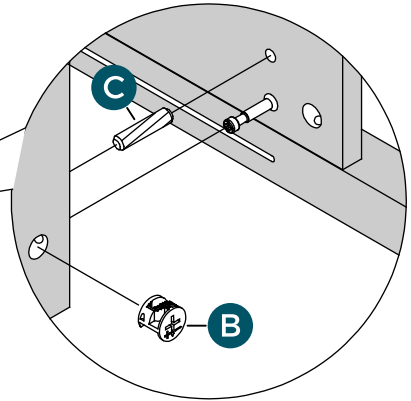
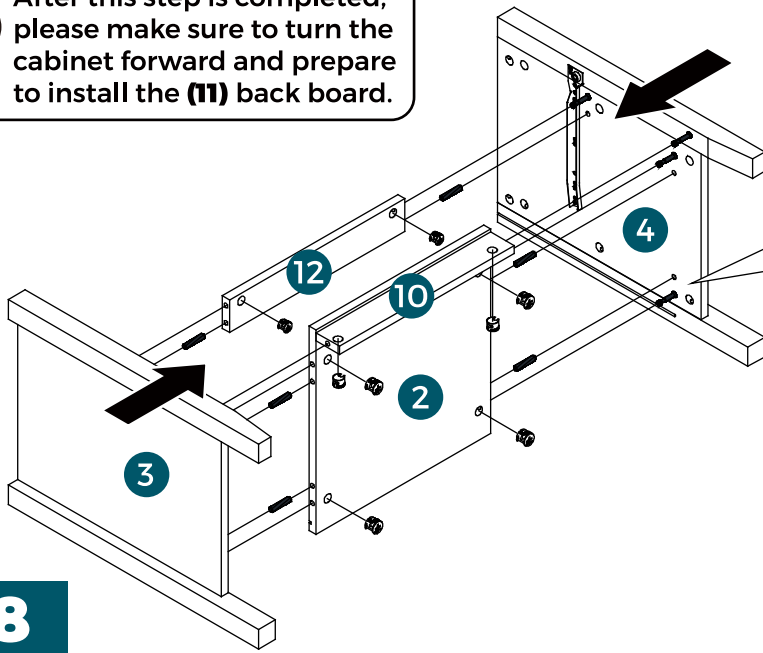
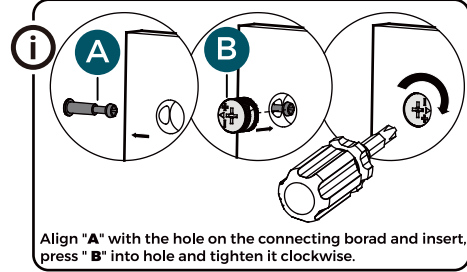
B x 8pcs



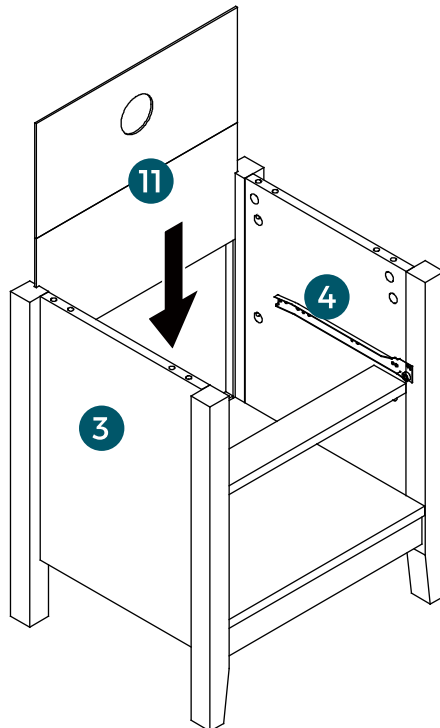
C x 6pcs



After this step is completed, please make sure to turn the cabinet forward and prepare to install the (11) back board.

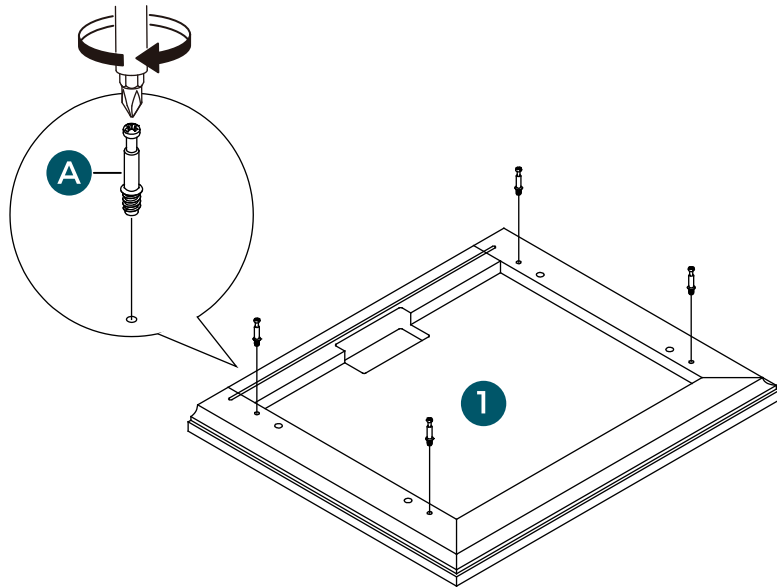
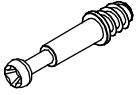


8



9

A x 4pcs

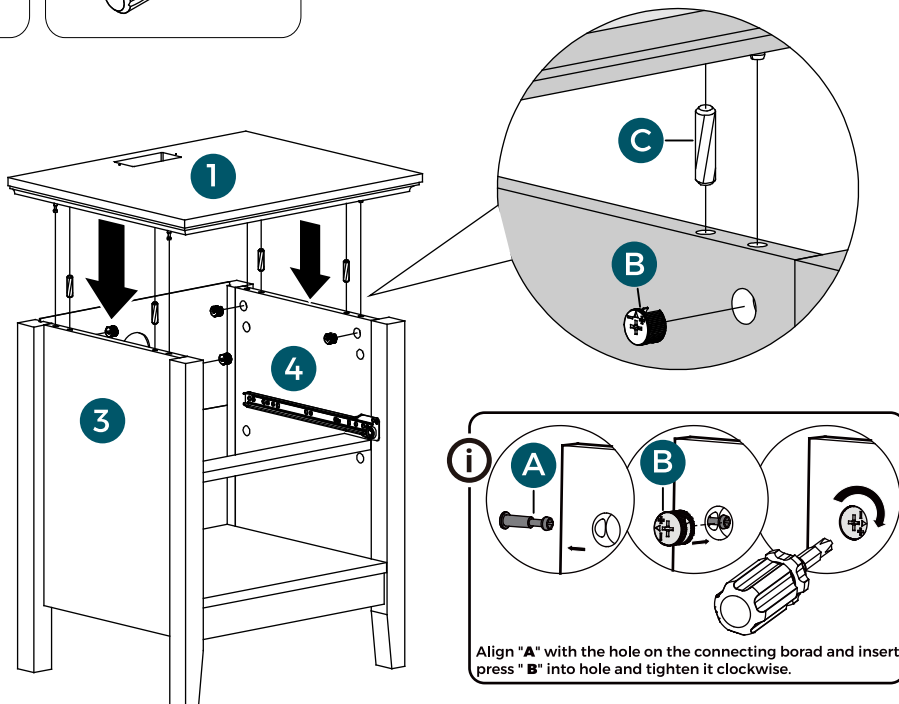
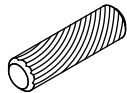


10

B x 4pcs



C x 4pcs



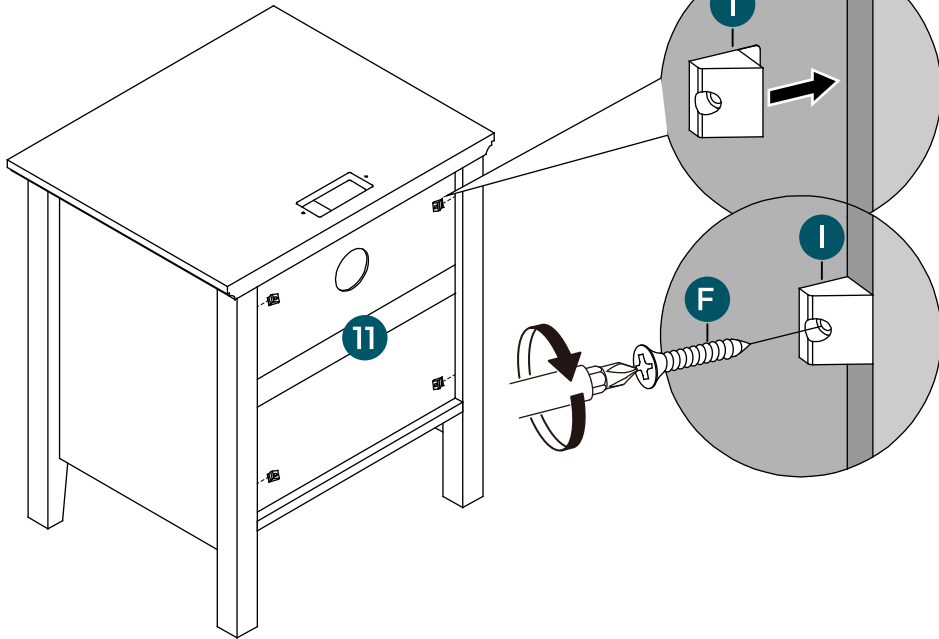
Align "A" with the hole on the connecting board and insert, press "B" into hole and tighten it clockwise.

11

F x 4pcs

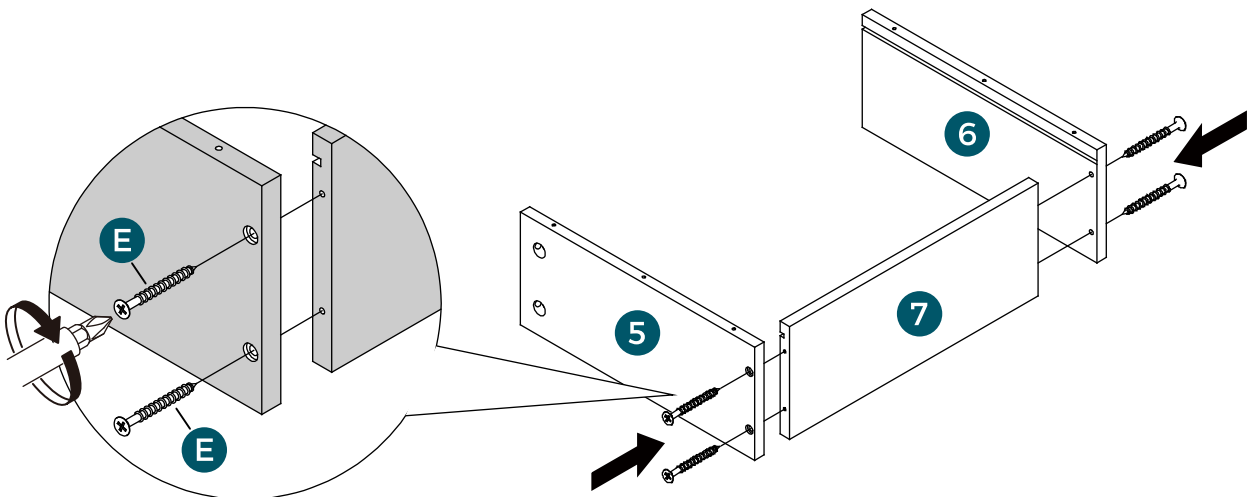


I x 4pcs



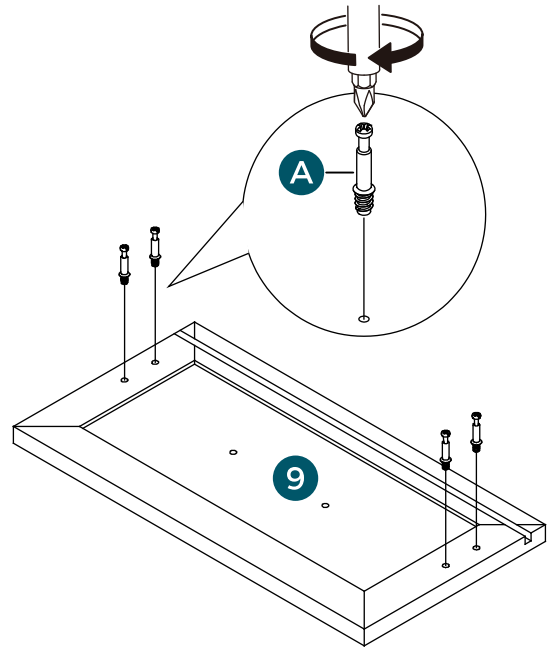
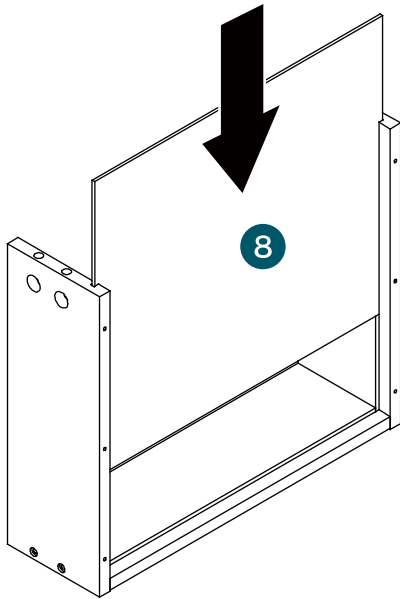
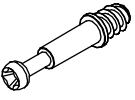
12

E x 4pcs



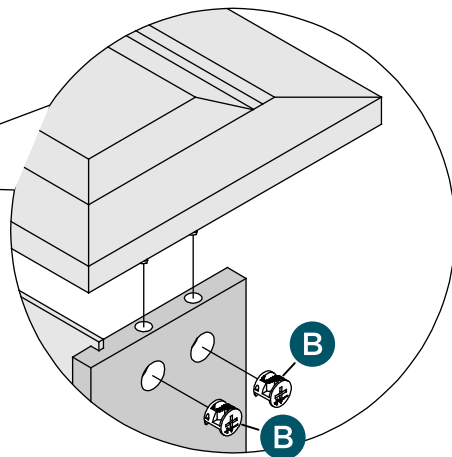
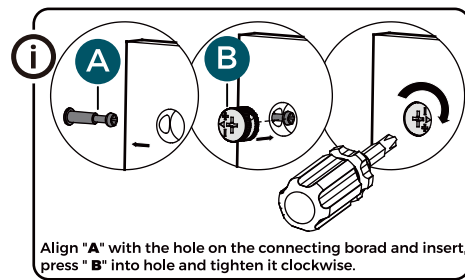
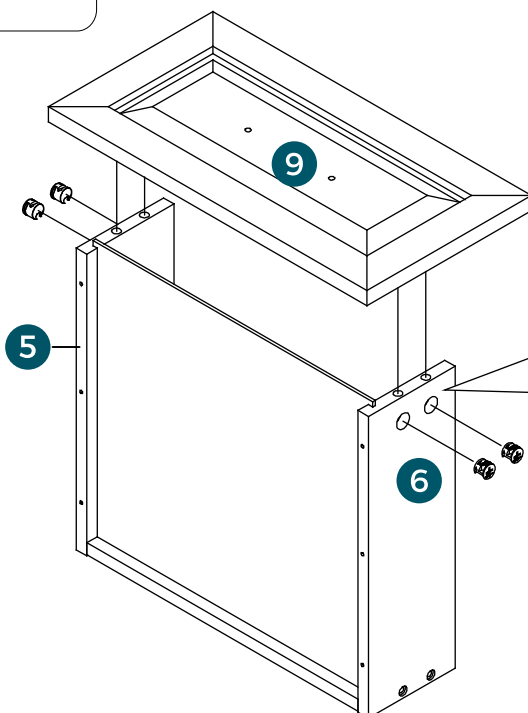
13

A x 4pcs



14

B x 4pcs



15

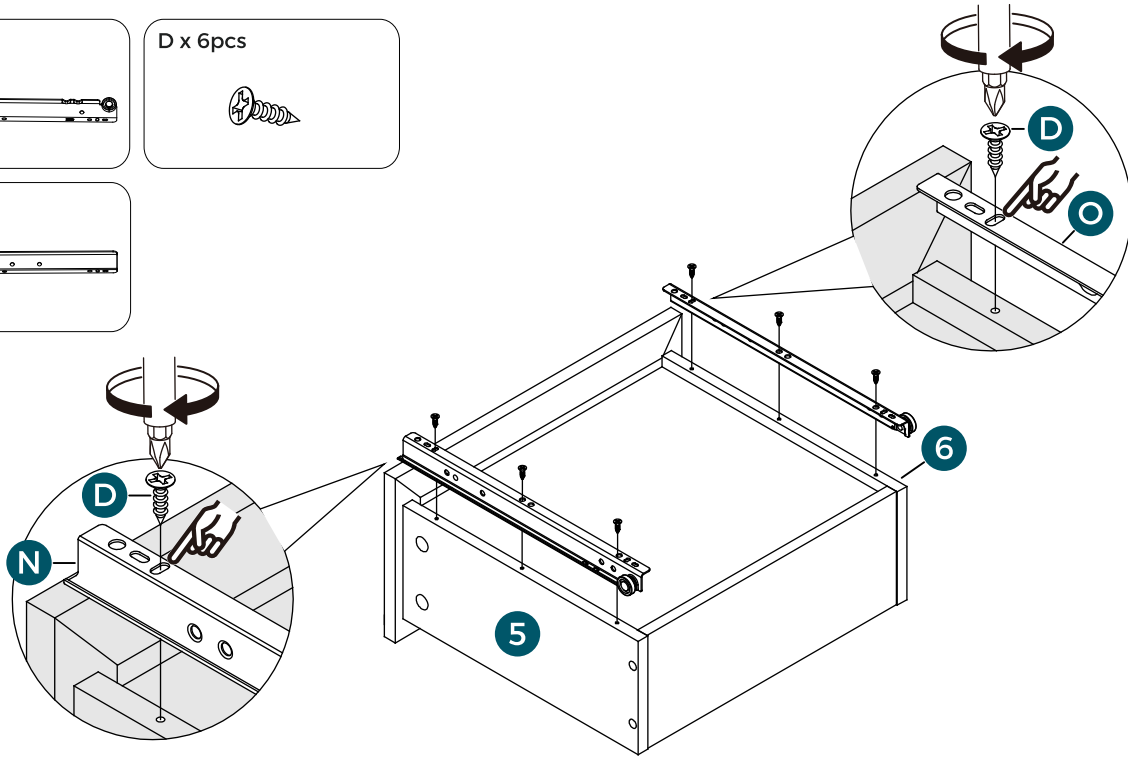
N x 1pcs



D x 6pcs



O x 1pcs

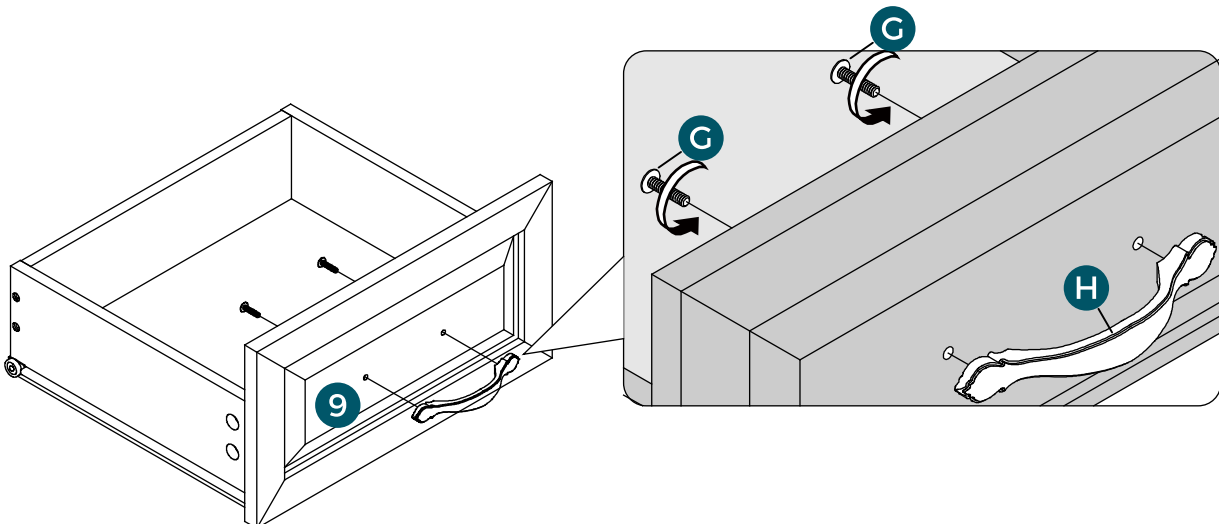


16

G x 2pcs



H x 1pcs

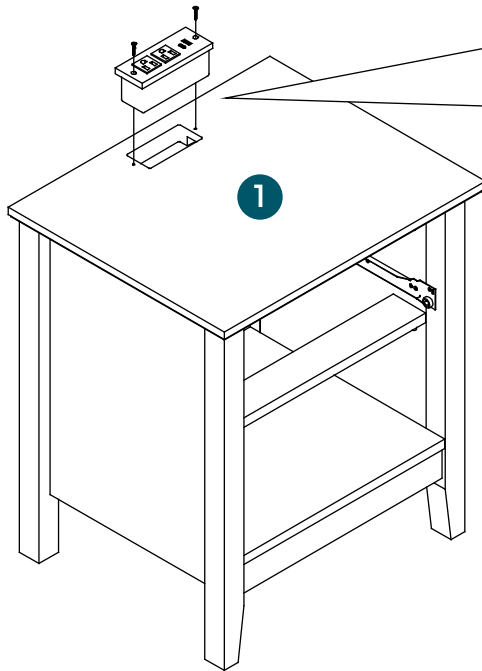
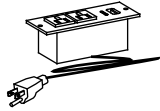


17

D x 2pcs



J x 1pcs



18

