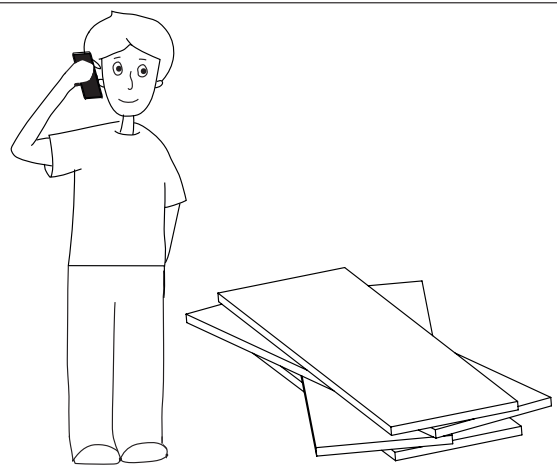
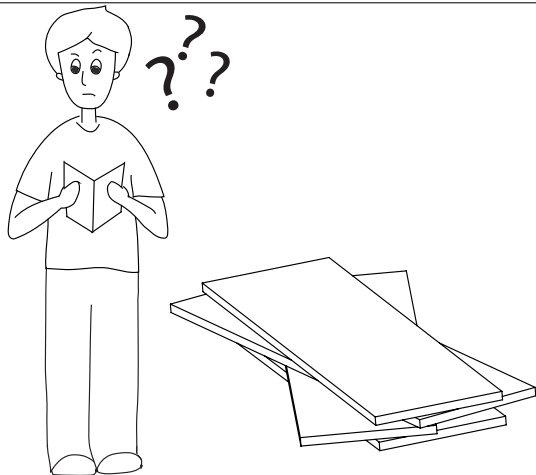
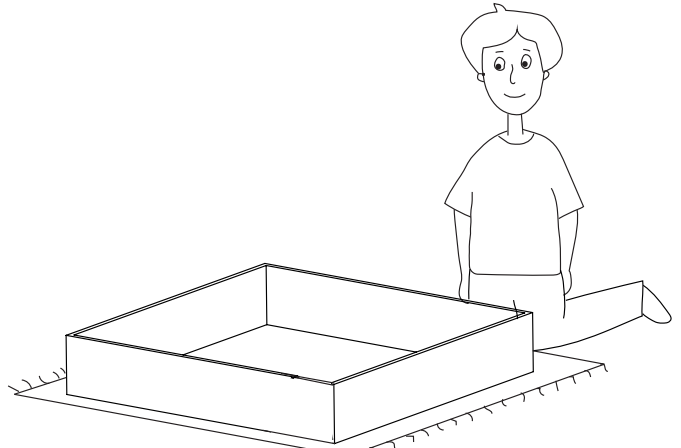
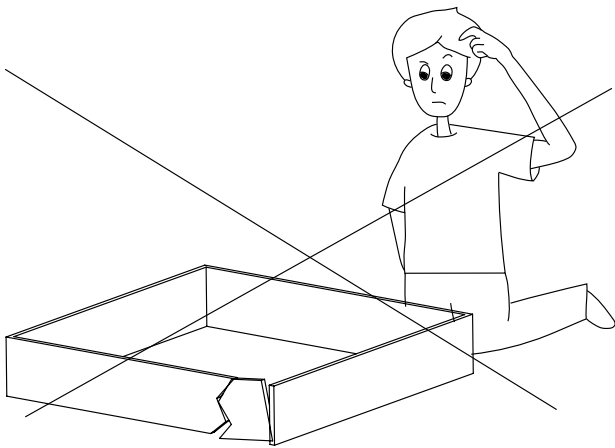
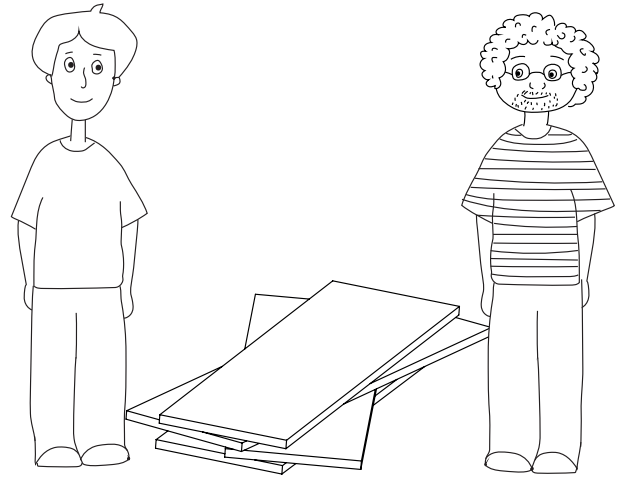
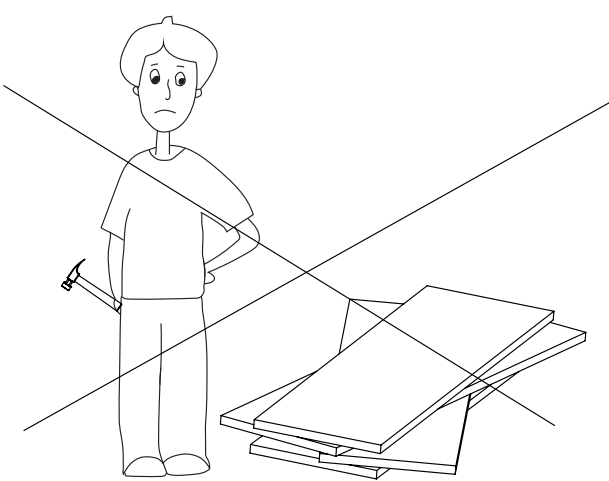
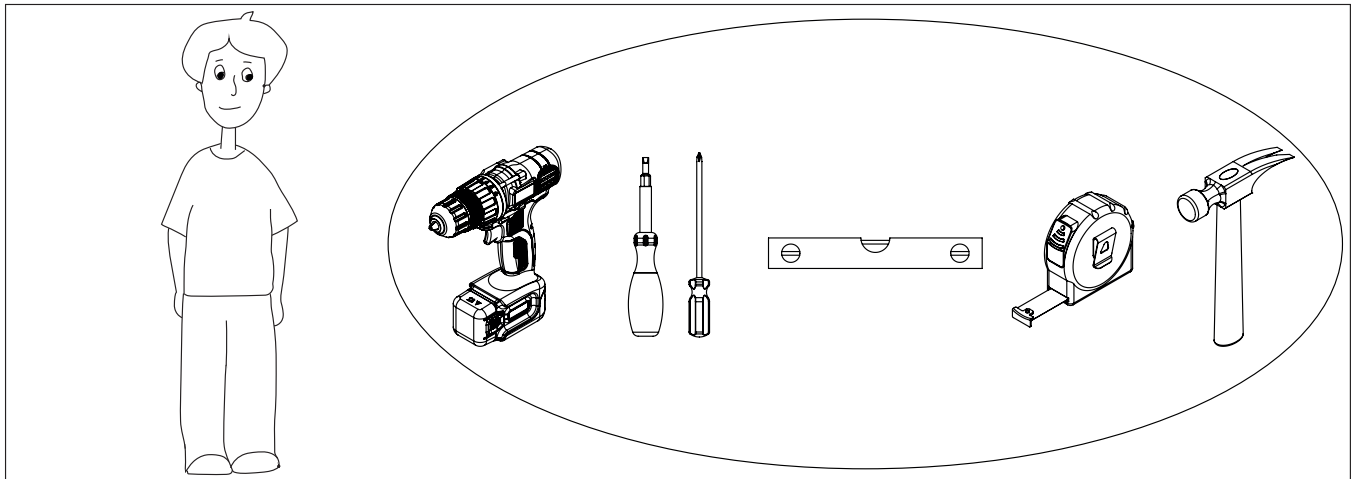
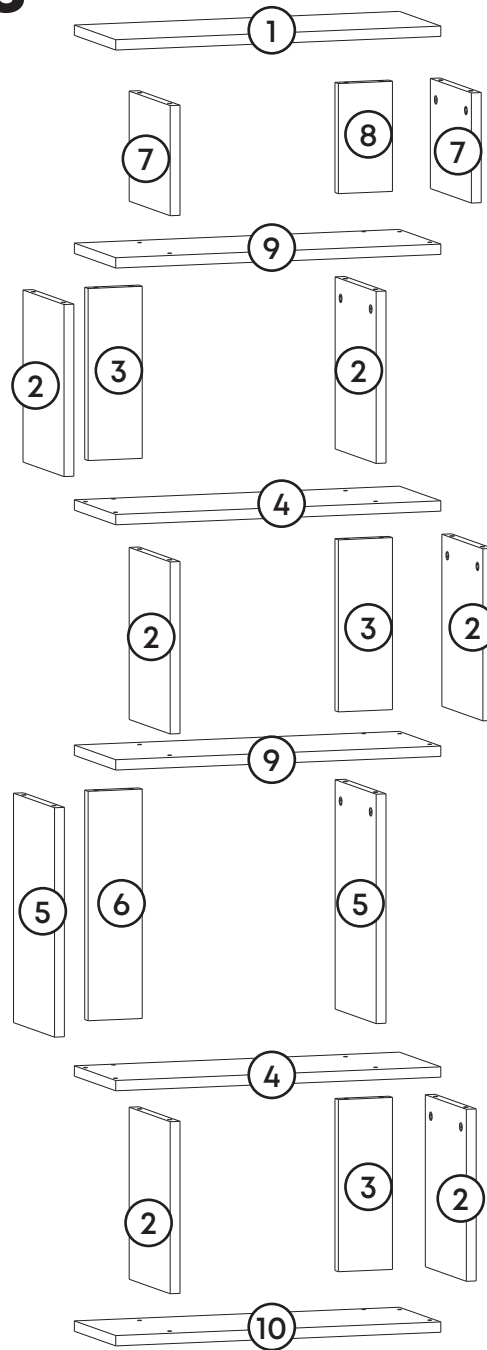


Assembly guide

# Prepare To Start

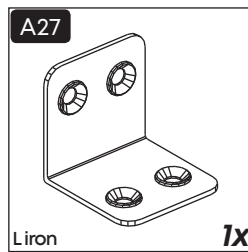
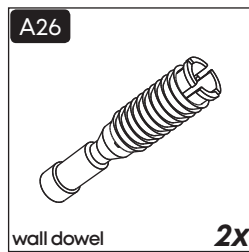
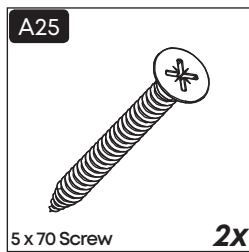
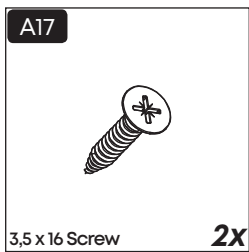
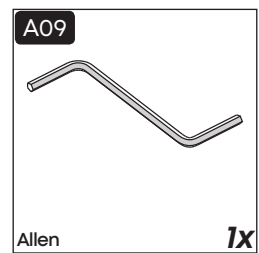
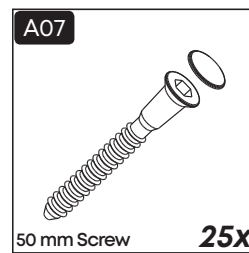
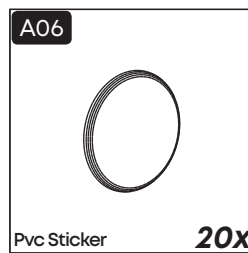
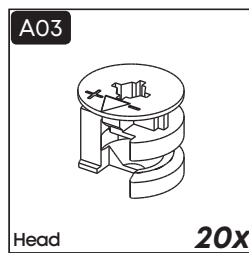
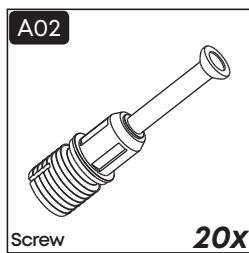
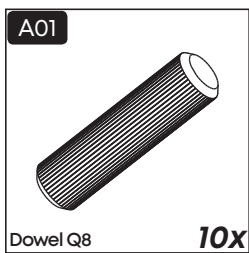


# Components



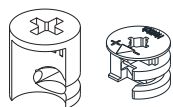
Part1	1x
Part2	6x
Part3	3x
Part4	2x
Part5	2x
Part6	1x
Part7	2x
Part8	1x
Part9	2x
Part10	1x
<b>Total</b>	<b>21x</b>

# Accessory Parts

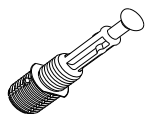


# How to instal Components

\*Before starting, please check the below figures



HEAD

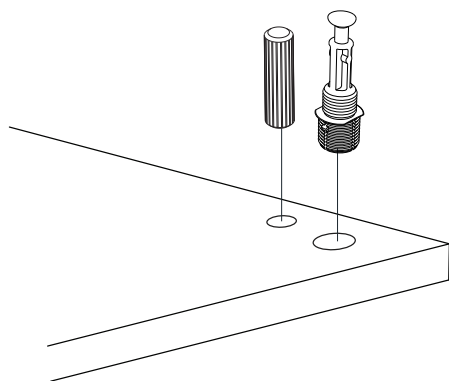


SCREW

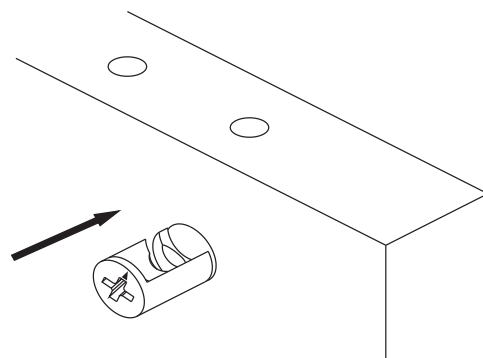


DOWEL

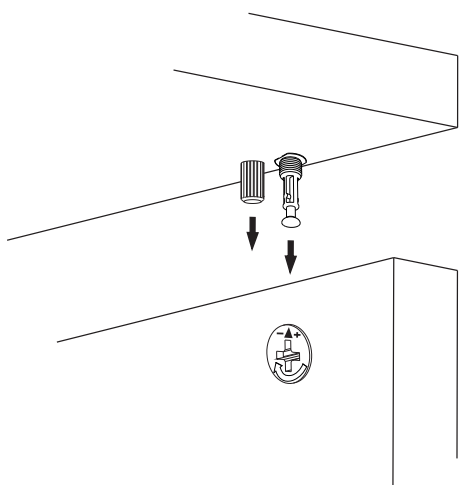
If the dowel is not required during the installation phase, it is not included in the package.



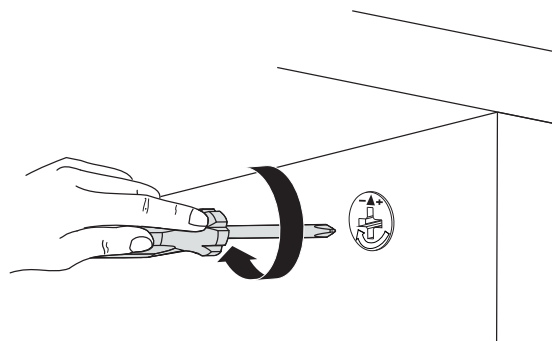
\*Please notice that there is an small arrow on A03 (head). This arrow should show the direction of upper hole.



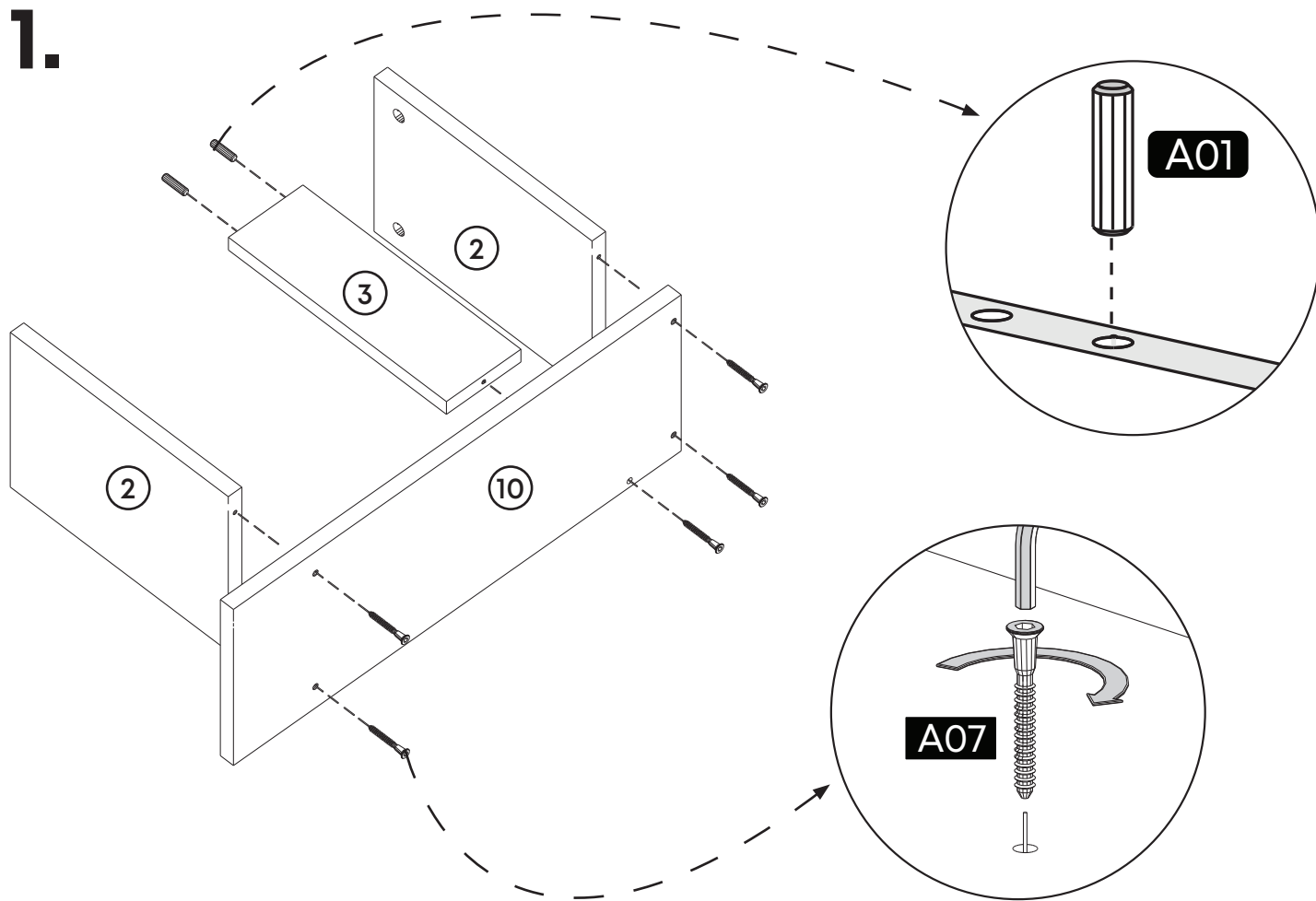
\*After attaching two pieces please turn the A03 (head) clockwise direction with the help of a screwdriver.



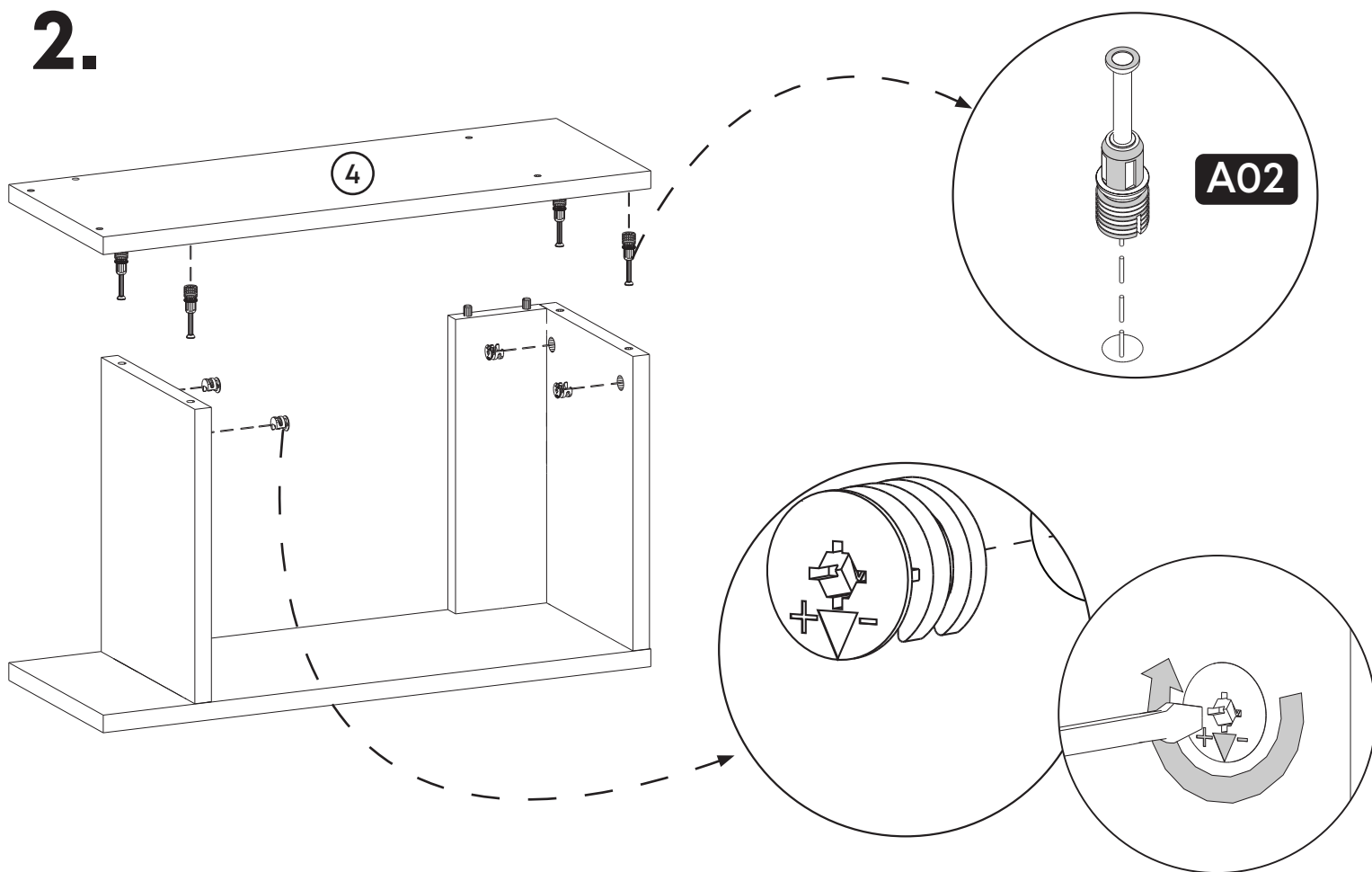
\*Please do not over screw the head since it may be broken if too much power is imposed. Just make sure that it is screwed to the direction "+" do not go any further.



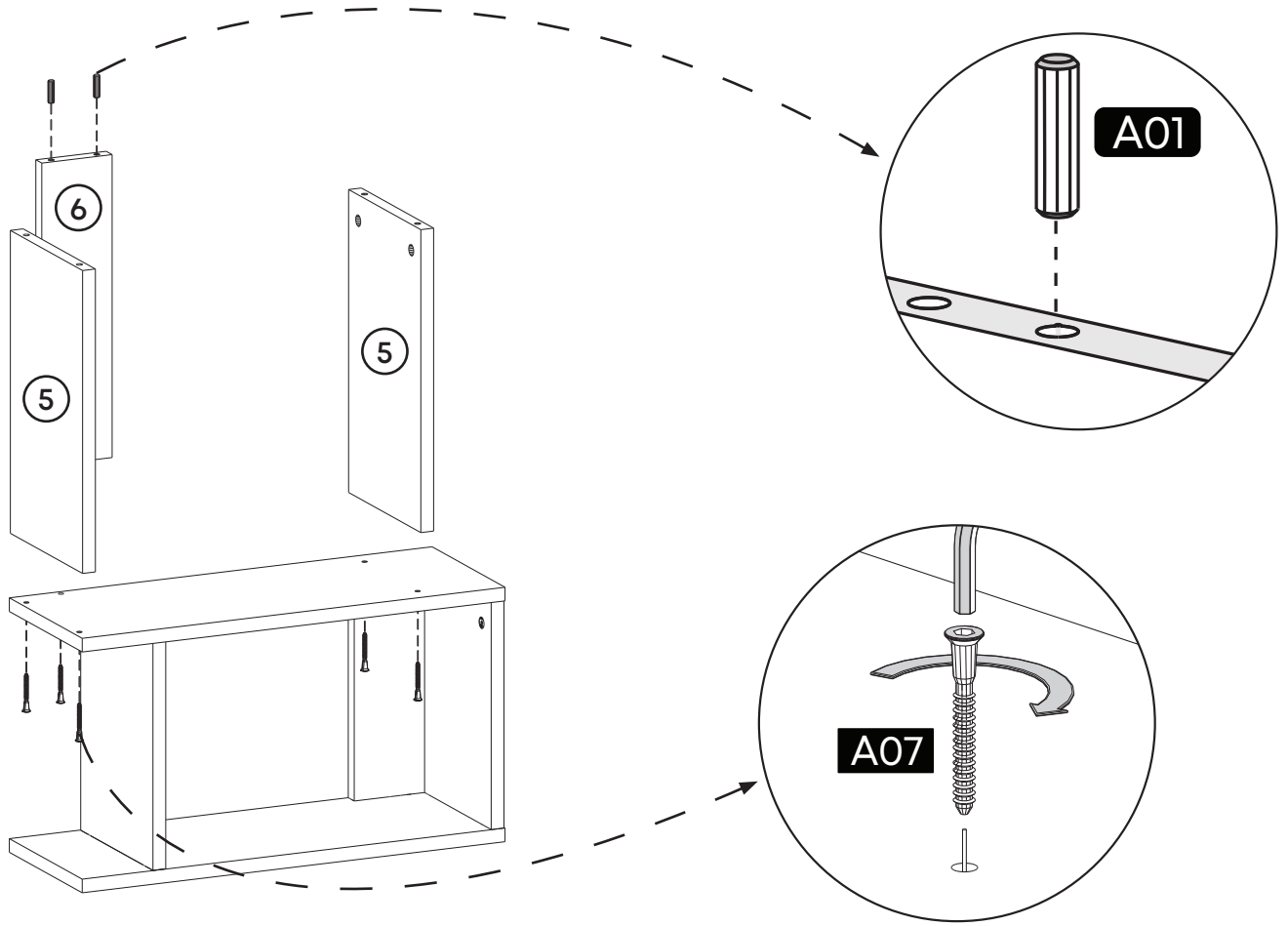
1.



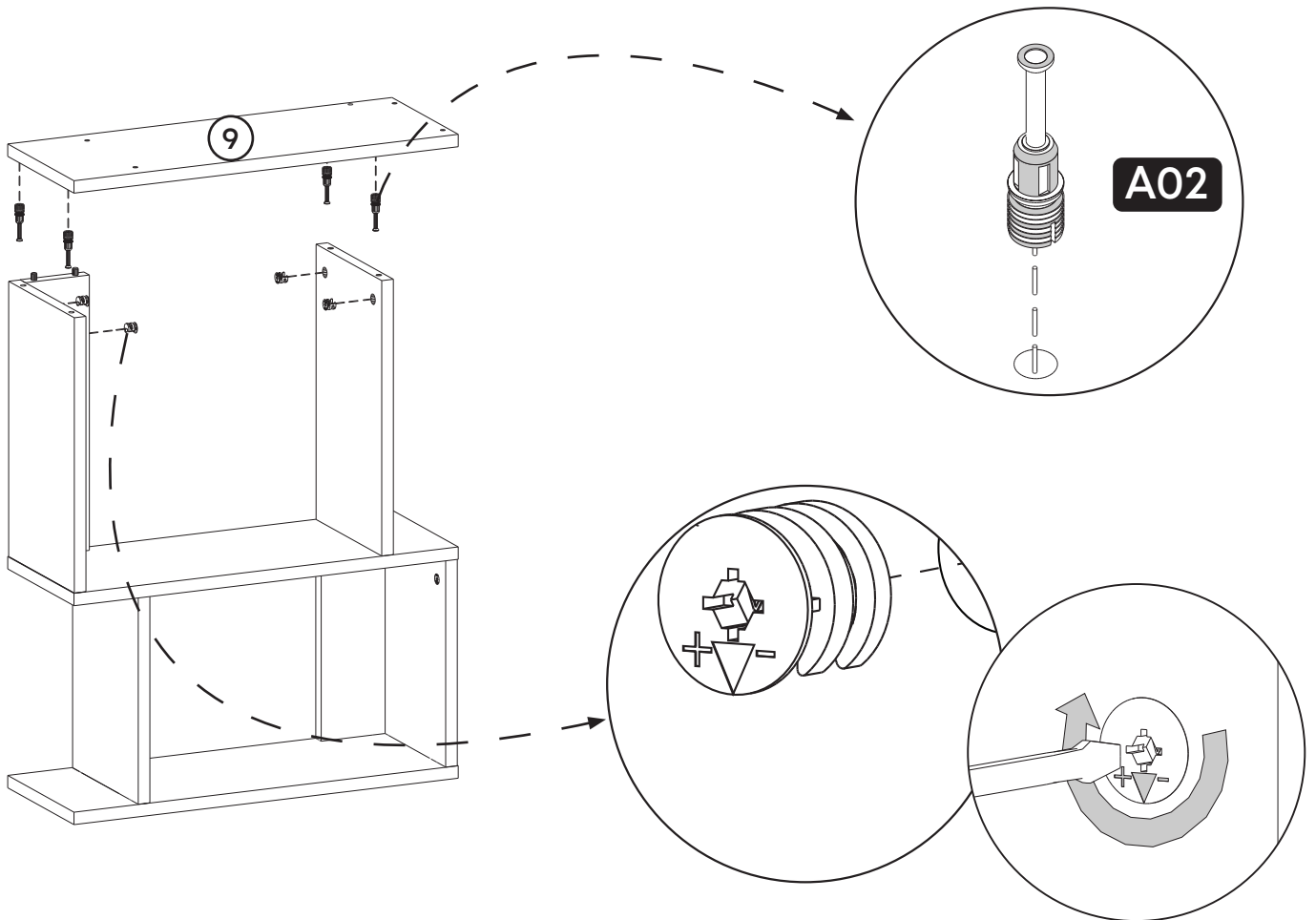
2.



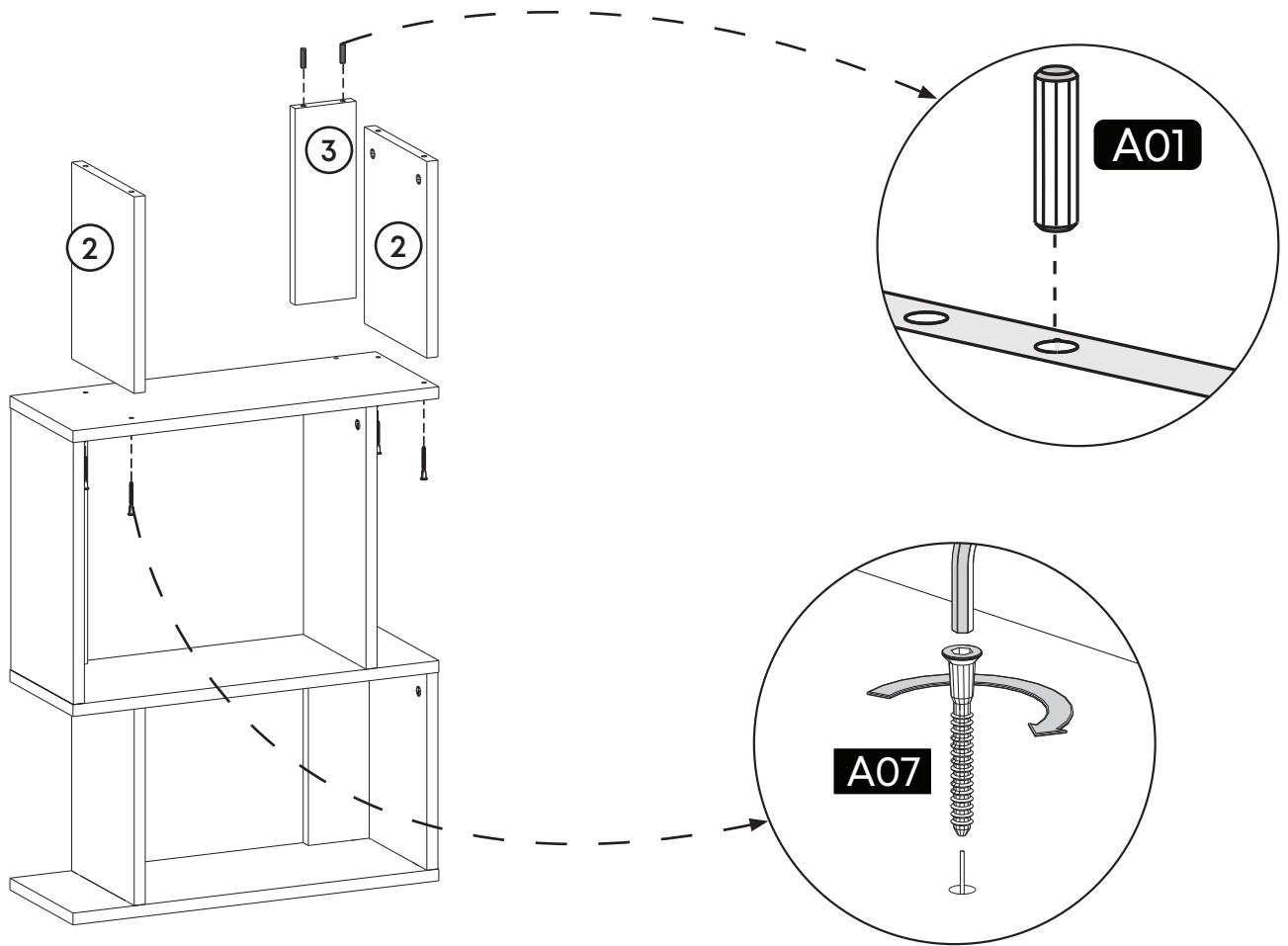
3.



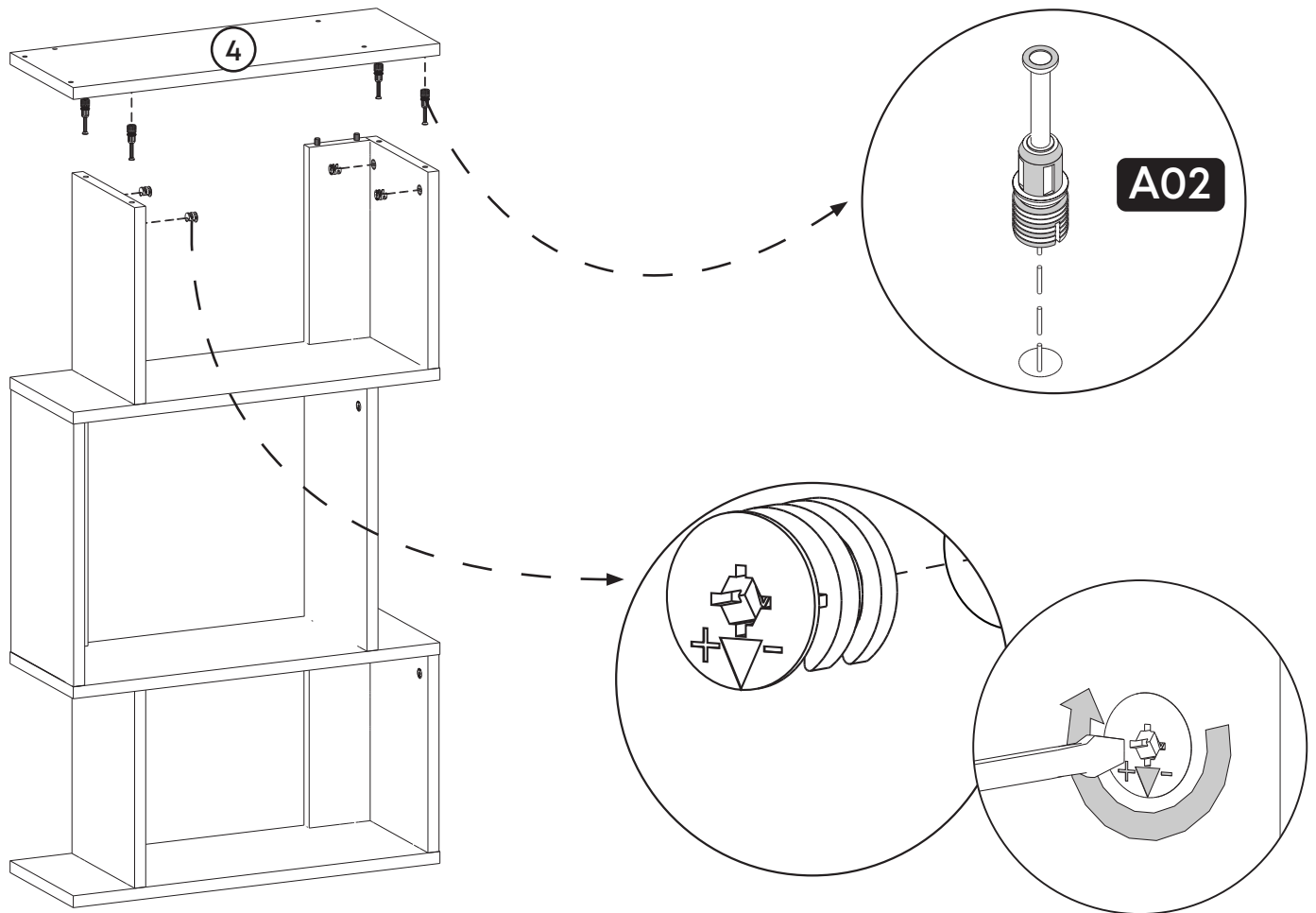
4.



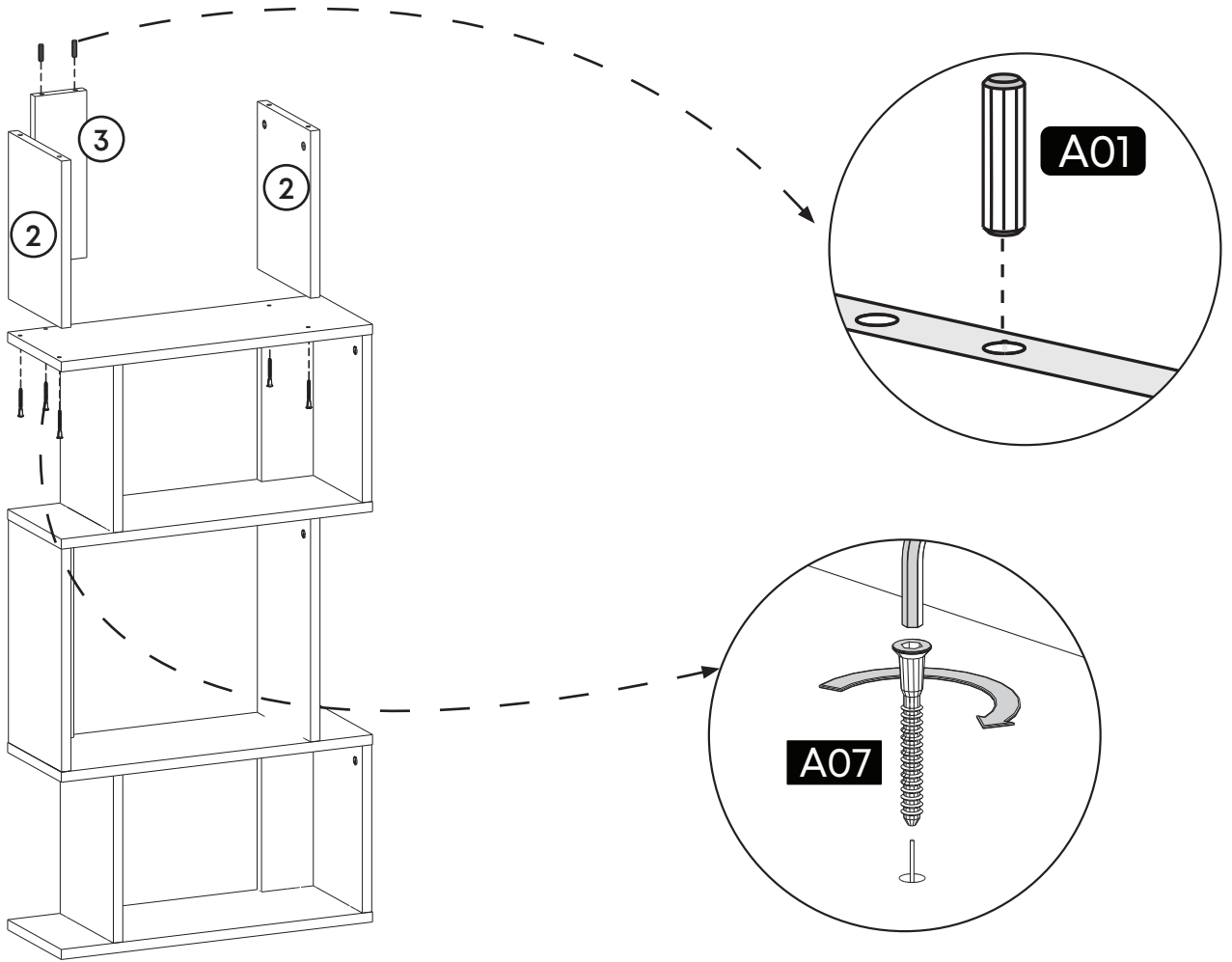
**5.**



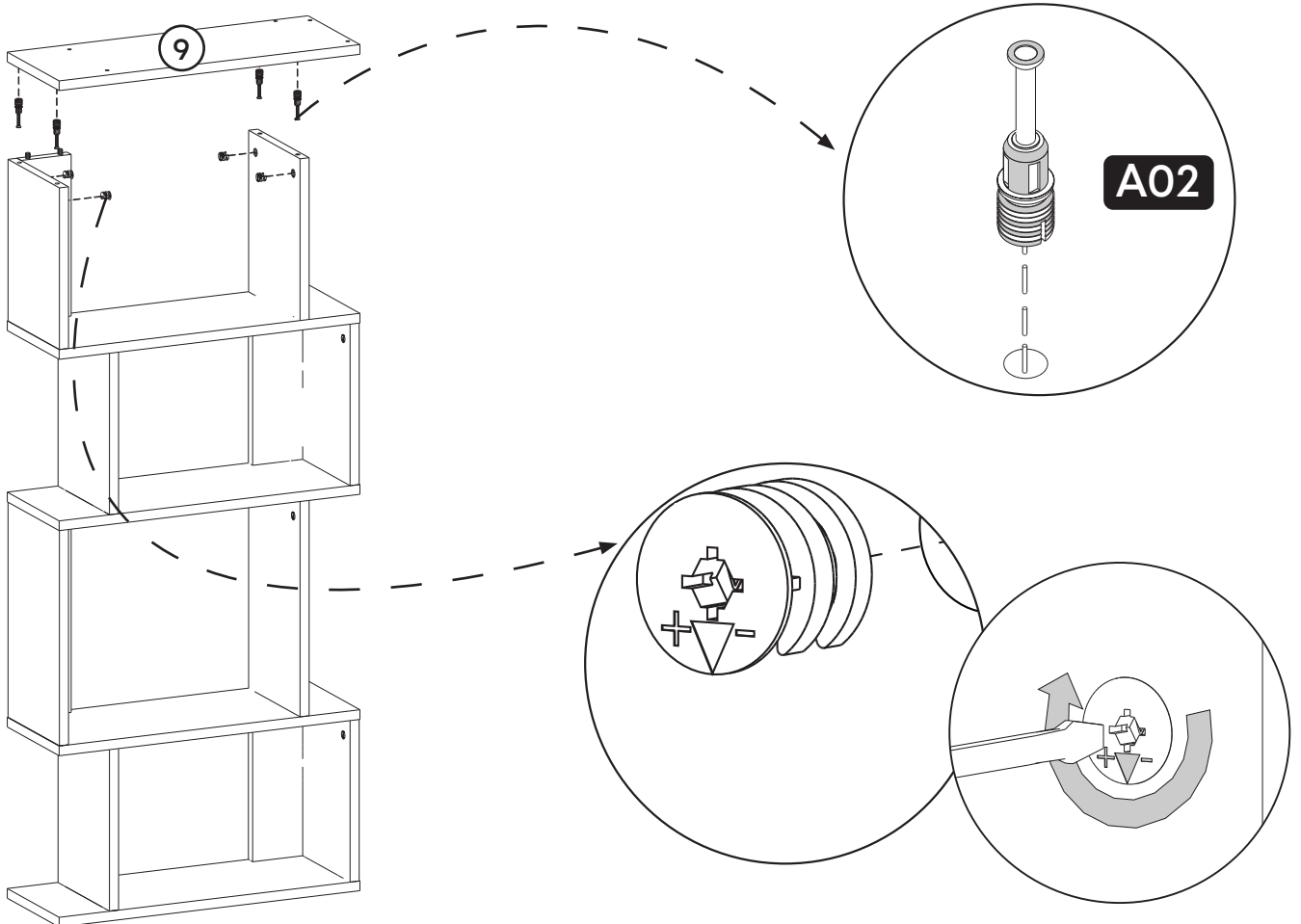
**6.**



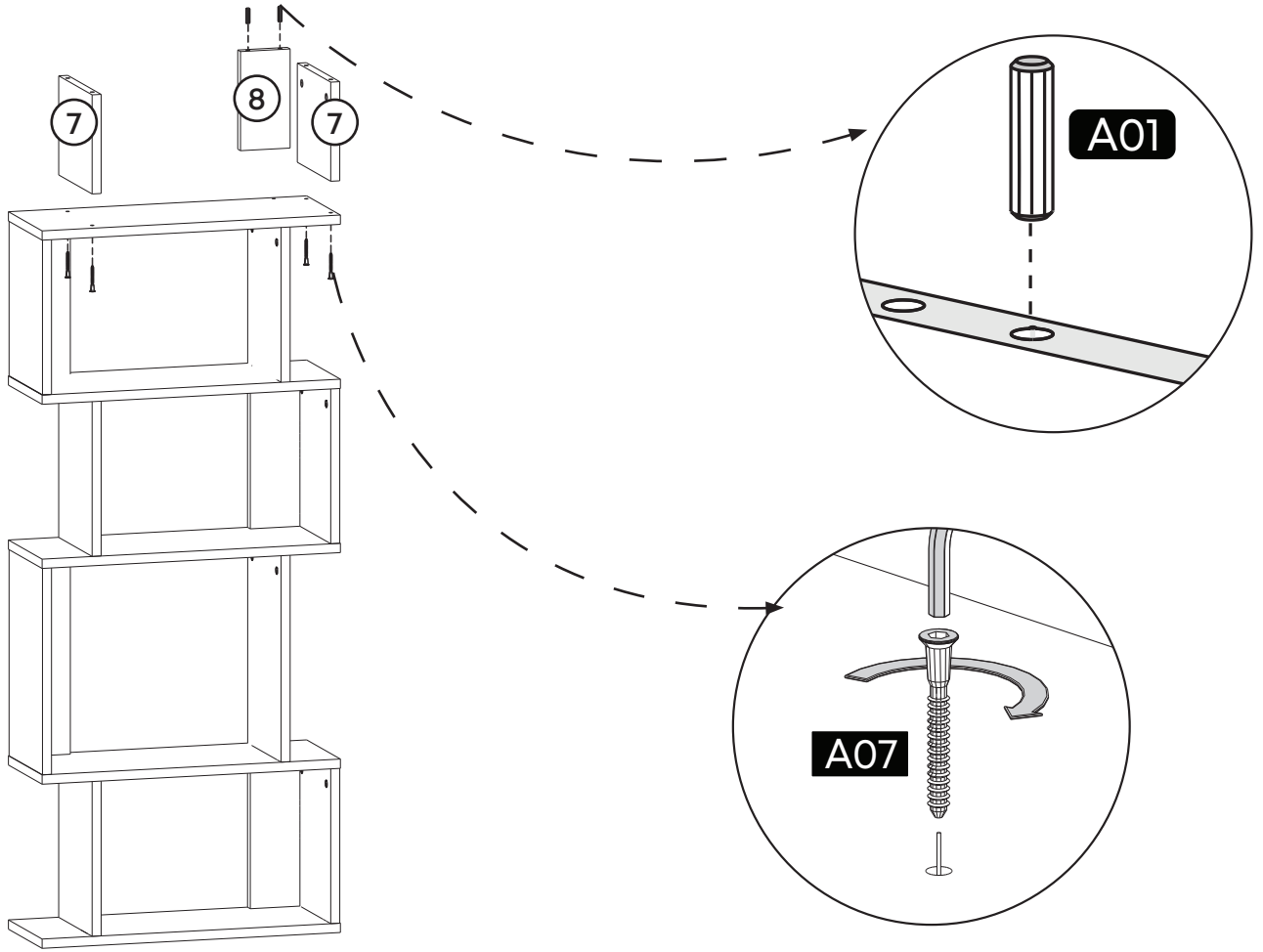
7.



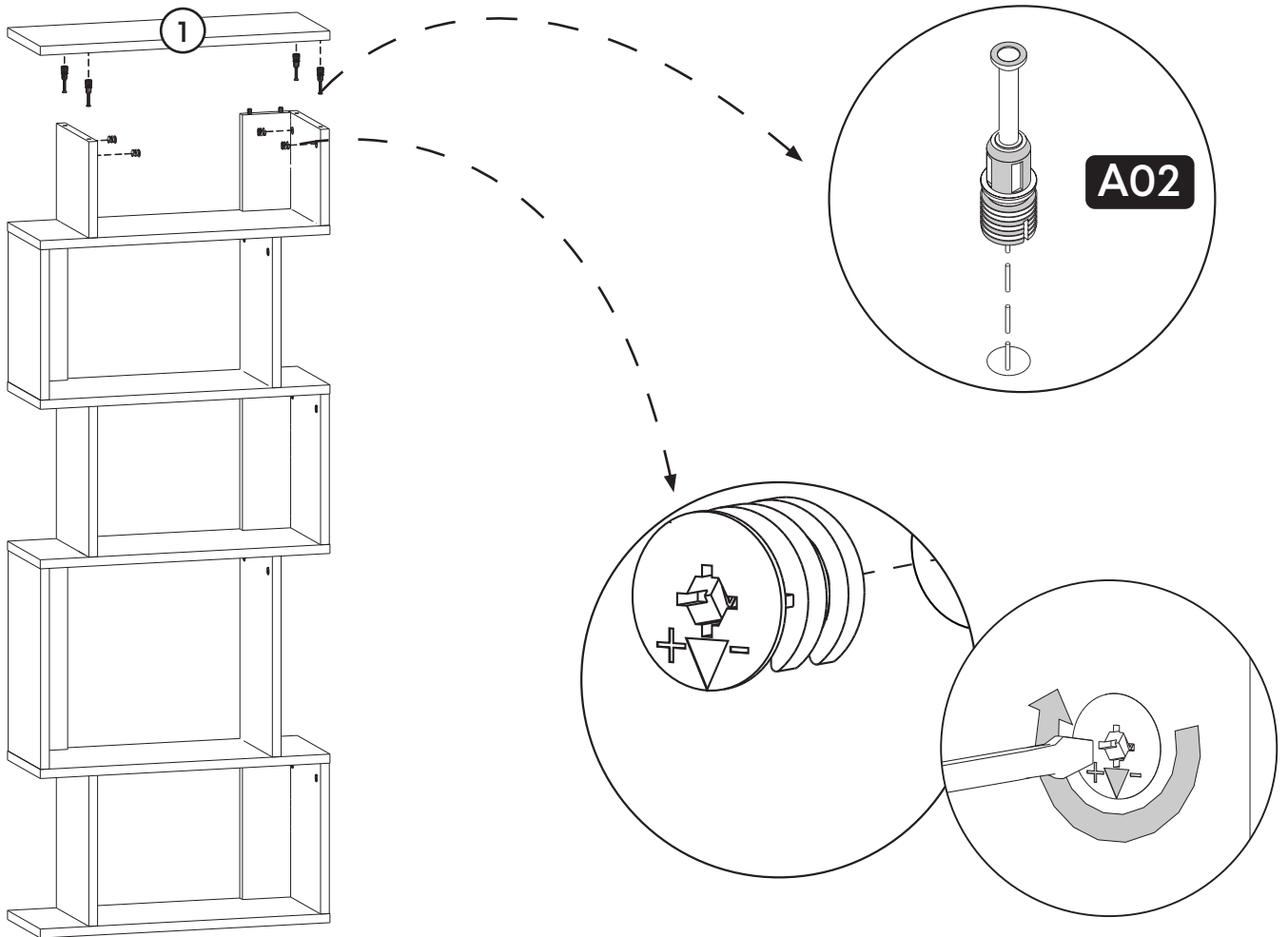
8.



9.

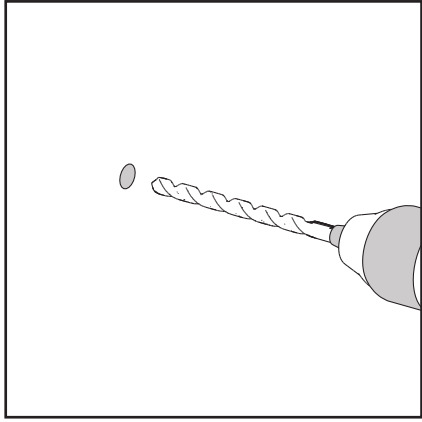


10.

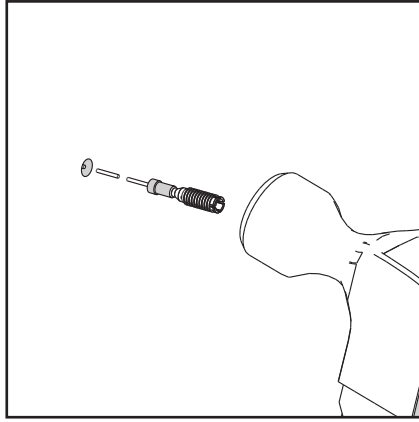


# 11.

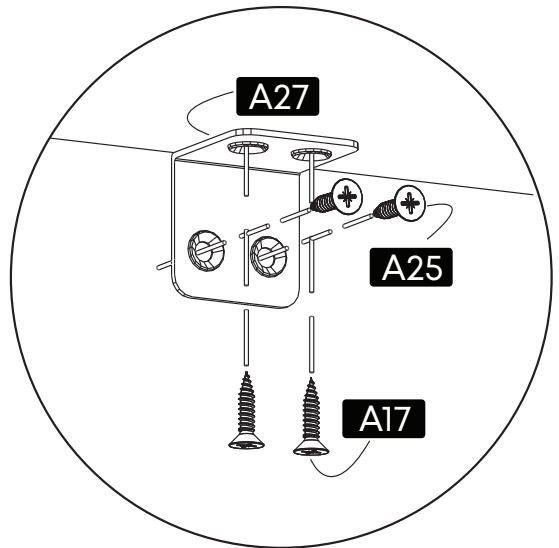
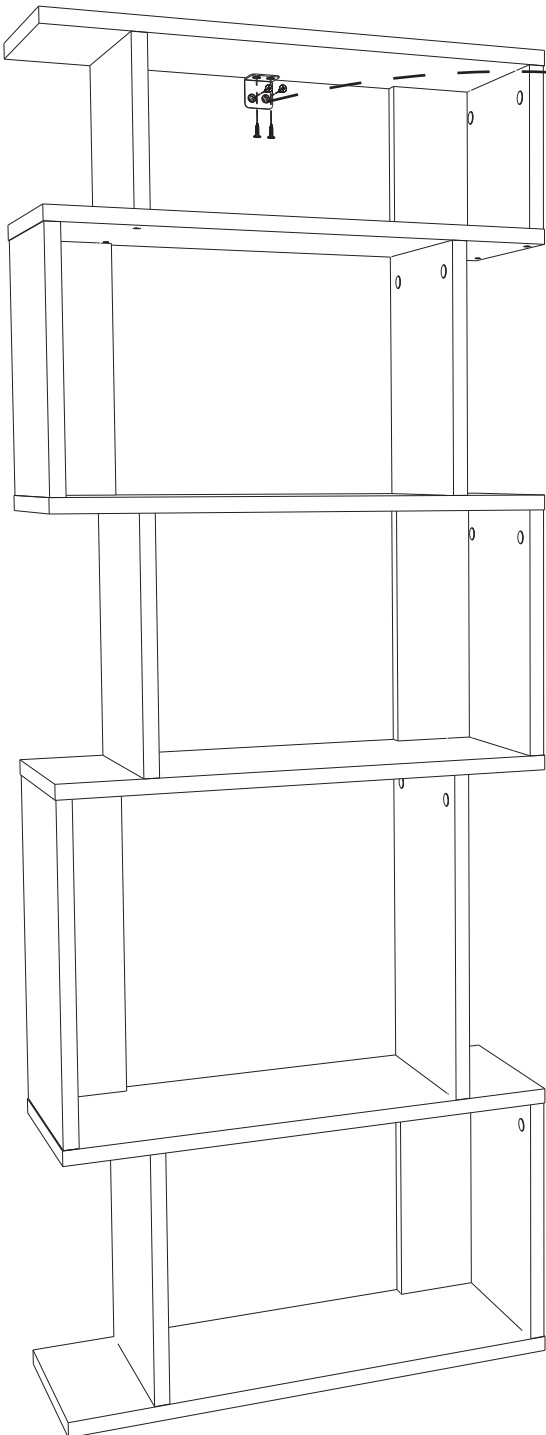
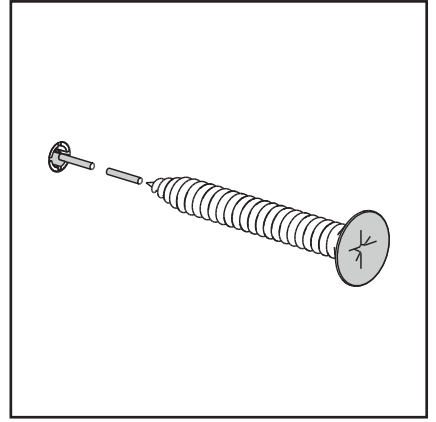
Drill The Wall



Install The Dowel



Install The Screw



# 12.

