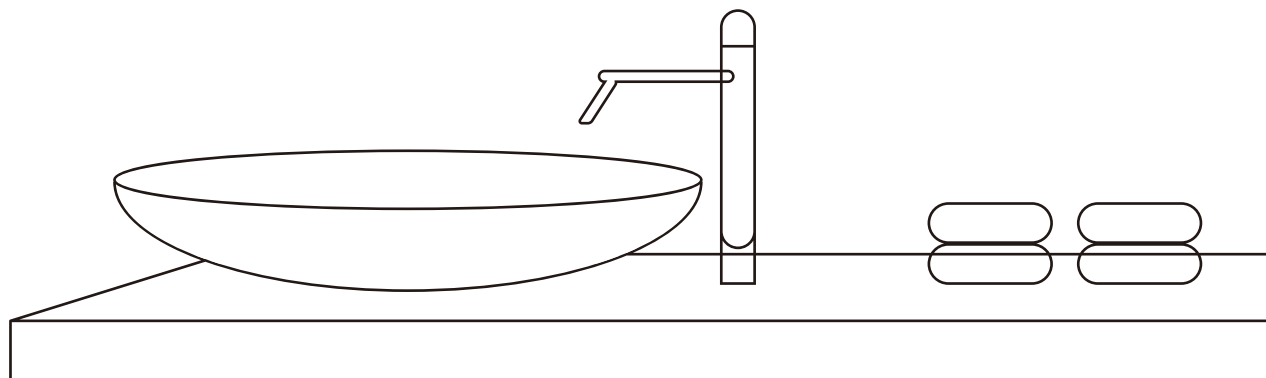
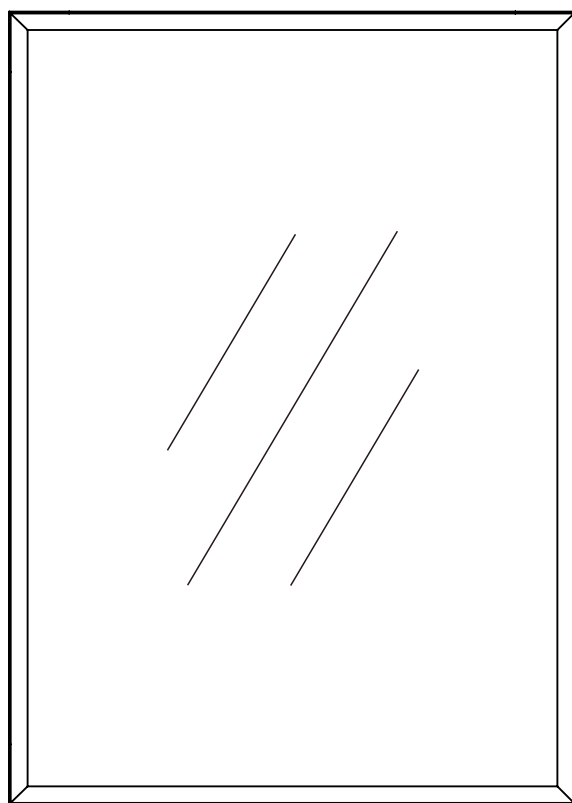
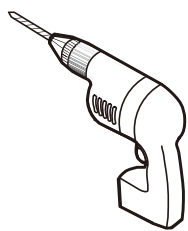


# HB EZON



**INSTALLATION MANUAL**

## HARDWARE AND TOOLS ( Tools not included)



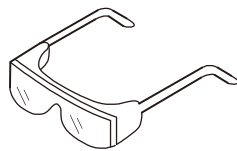
Power Drill



Mallet



Tape Measure



Safety Goggles



1/4" & 1/8" Drill Bits



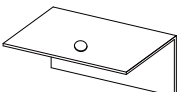


Pencil



Level

### HARDWARE LISTS

ITEM	IMAGE	NAME
1		Mounting Screw
2		Wall Anchor
3		Aluminum Corner Support

## INSTALLATION INSTRUCTIONS

Please read carefully and save these instructions

Don't discard any of the packaging until you are sure that you have all of the parts and the fittings

### IMPORTANT

1. Unpack cabinet. Do not lay cabinet on tiled or concrete surface prior to installation  
Cabinet must be on protected surface to prevent chipping of the corners
2. Care must be taken before drilling pilot holes to avoid any existing wiring or pipe work that may be concealed.

### MAINTENANCE

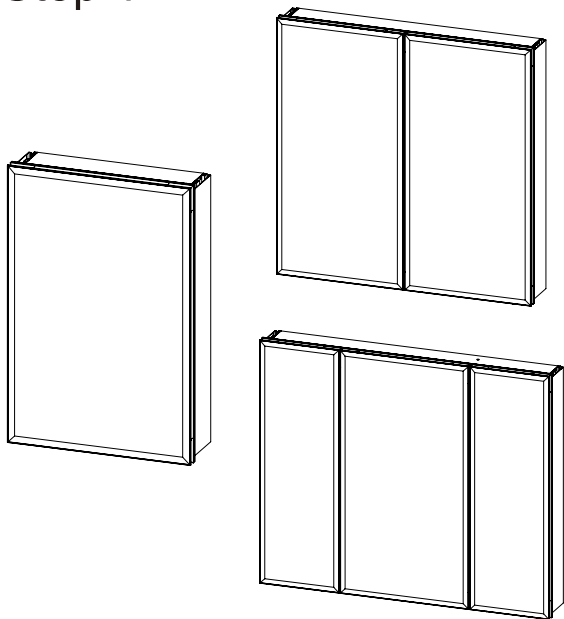
Wipe clean with a soft damp cloth. Apply glass cleaner to cloth and do not apply directly to mirror

### INSTALLATION

Please refer to below surface mount or recess mount method.

# SURFACE MOUNT INSTRUCTION

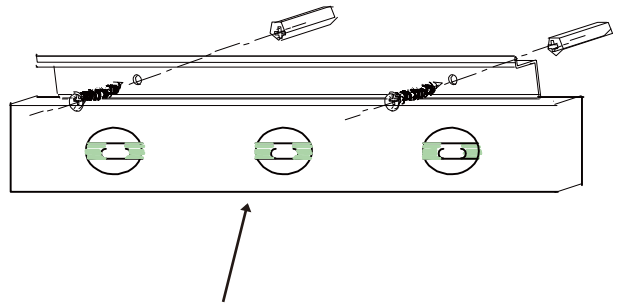
## Step 1



Unpack the medicine mirror and prepare tools needed.

## Step 2

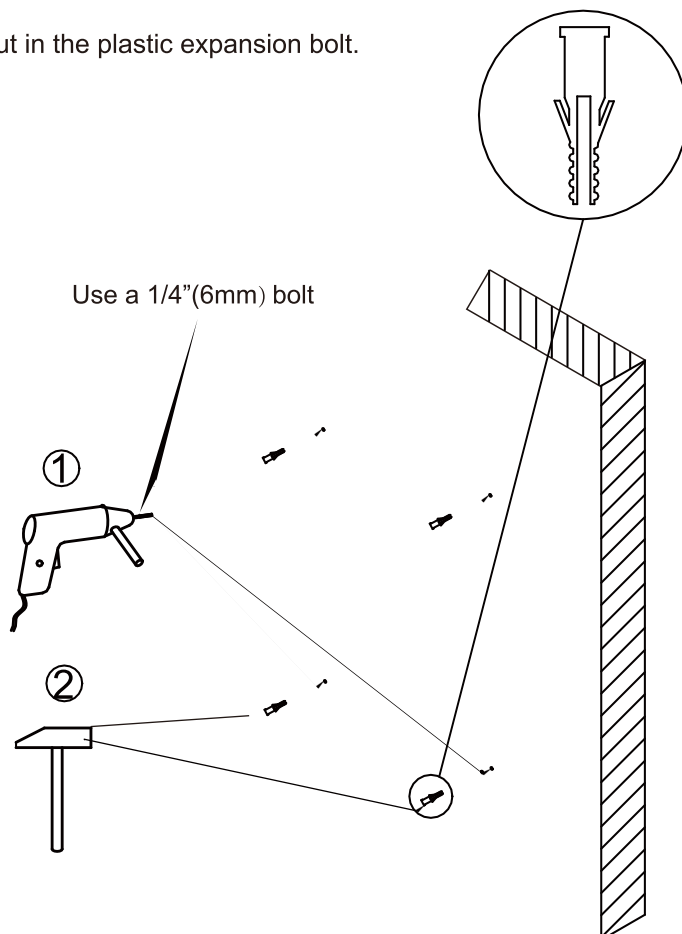
Measure and mark the back mounting holes on the wall.



Draw horizontal line connecting the marked location. The line should be level. Adjust to level if necessary.

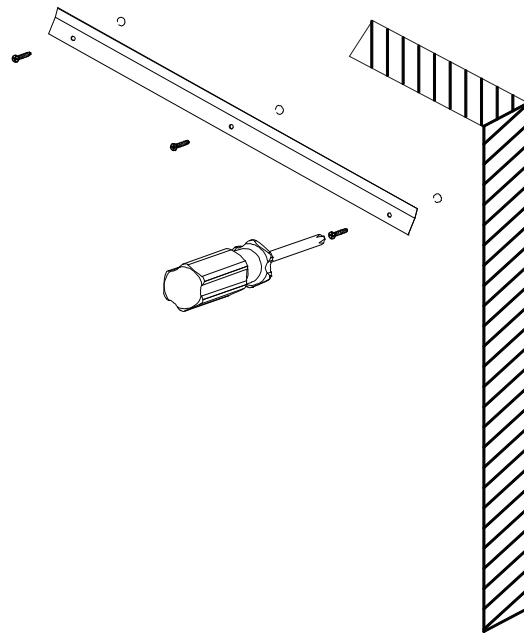
## Step 3

Drill holes, and put in the plastic expansion bolt.



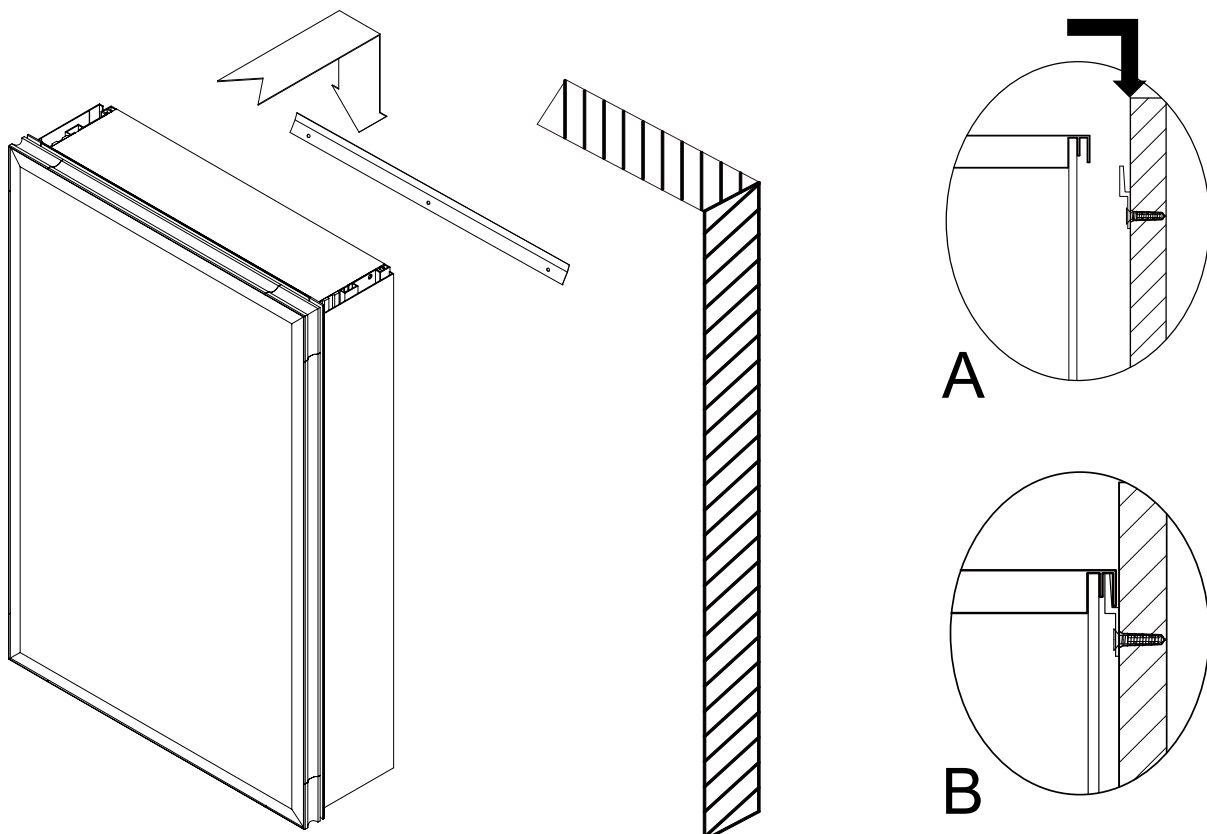
## Step 4

Install the aluminum hanging strip on the wall with a screwdriver



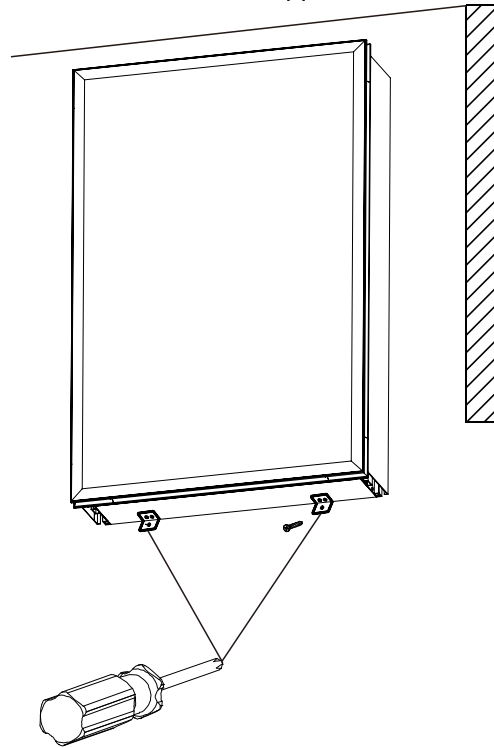
## Step 5

Hang the mirror cabinet on the aluminum hanger, ensuring that the aluminum hanger is securely fastened into the slot on the back of the mirror cabinet

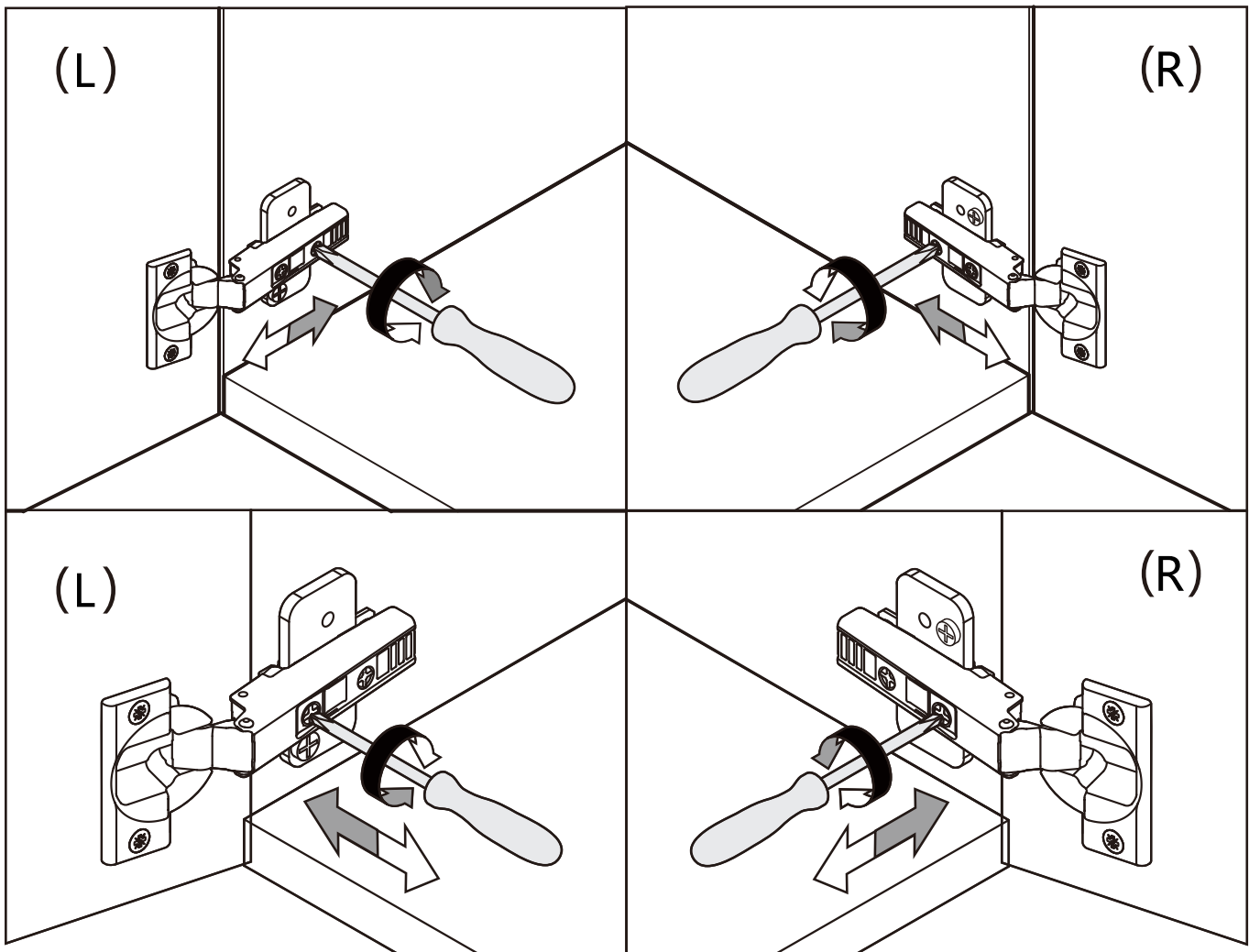


## Step 6

Connect the lower end of wall with the cabinet body by using the coner support.



### Hinge Adjustment:



# RECESS MOUNT INSTRUCTIONS

NOTE: Rough opening is not an exact measurement. The extra space allows cabinet to be inserted into the opening. Add shims to level and tighten space if necessary. Additional framing might be required.

## Rough Wall Opening

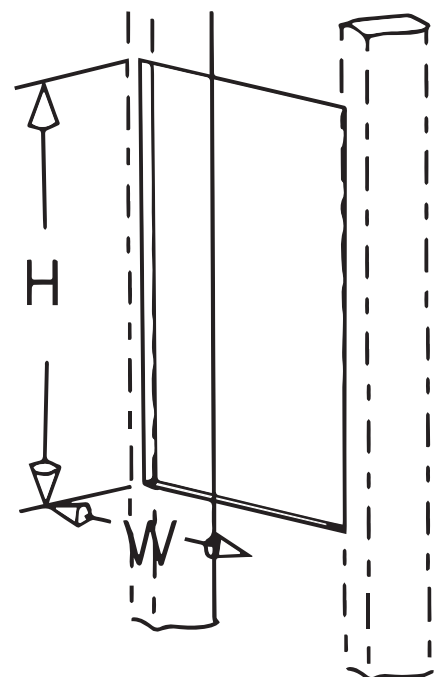
SKU#	Overall Size	Rough Wall Opening
Belle-1624S-BLK	16 in.(W) x 24 in.(H) x 5 1/8" in.(D)	15 3/8 in.(W) x 23 3/8 in.(H) x 4 1/8" in.(D)
Belle-2028S-BLK	20 in.(W) x 28 in.(H) x 5 1/8" in.(D)	19 3/8 in.(W) x 27 3/8 in.(H) x 4 1/8" in.(D)
Belle-2630D-BLK	26 in.(W) x 30 in.(H) x 5 1/8" in.(D)	25 3/8 in.(W) x 29 3/8 in.(H) x 4 1/8" in.(D)
Belle-3030D-BLK	30 in.(W) x 30 in.(H) x 5 1/8" in.(D)	29 3/8 in.(W) x 29 3/8 in.(H) x 4 1/8" in.(D)
Belle-3630T-BLK	36 in.(W) x 30 in.(H) x 5 1/8" in.(D)	35 3/8 in.(W) x 29 3/8 in.(H) x 4 1/8" in.(D)
Belle-4030T-BLK	40 in.(W) x 30 in.(H) x 5 1/8" in.(D)	39 3/8 in.(W) x 29 3/8 in.(H) x 4 1/8" in.(D)

## Step 1

NOTE: Before cutting the rough opening, check for pipes, electrical cables, or heating ducts. If it is required to remove part of stud, make sure that the wall is not a load bearing wall.

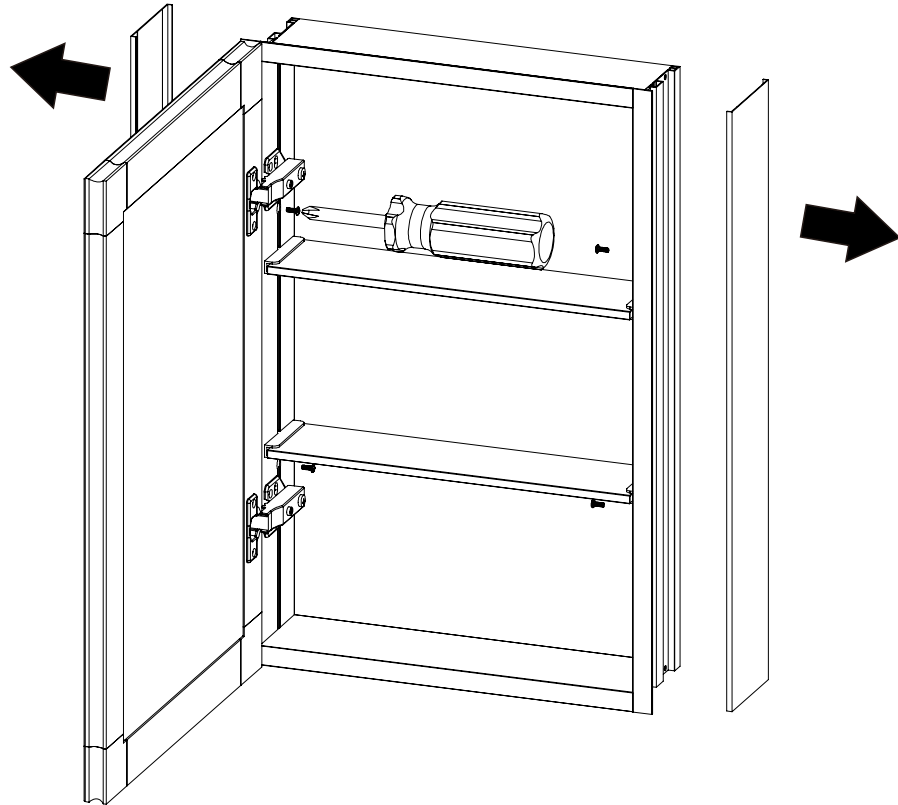
Prepare the opening in the wall for the cabinet body. Make sure that there is support on both sides of the opening to attach the cabinet body, as shown.

NOTE: The cabinet height should be a minimum 2 in. above faucet.



## Step 2

Carefully remove side panels for recess mount installation ONLY

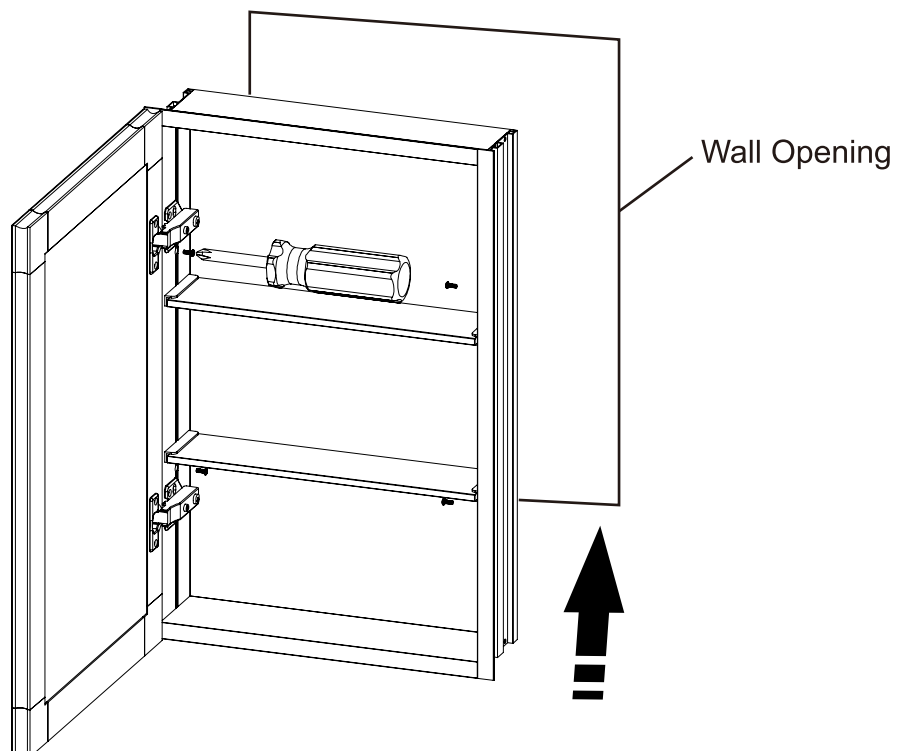


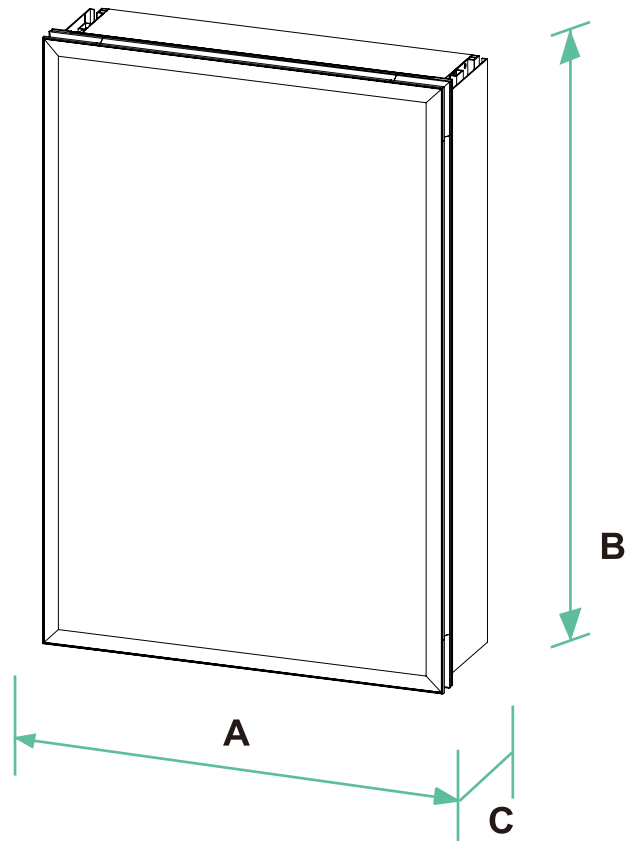
## Step 3

Position the cabinet body in the rough wall opening. Make sure that the cabinet body flange covers the wall opening uniformly.

Secure both sides of the cabinet body to the wall supports using mounting screws .

**NOTE:** The cabinet body must be level for the door to work properly.





**A** - Width  
**B** - Height  
**C** - Depth

Unit: Inch

SKU#	A	B	C
Belle-1624S-BLK	16	24	5.1
Belle-2028S-BLK	20	28	5.1
Belle-2630D-BLK	26	30	5.1
Belle-3030D-BLK	30	30	5.1
Belle-3630T-BLK	36	30	5.1
Belle-4030T-BLK	40	30	5.1

*Note: All dimensions & specifications are approximate and subject to change without notice.*

**Customer Service:**

For any questions or queries regarding our products, please contact our support team:

[Email:cs@hbezon.com](mailto:cs@hbezon.com)

Website:www.hbezon.com