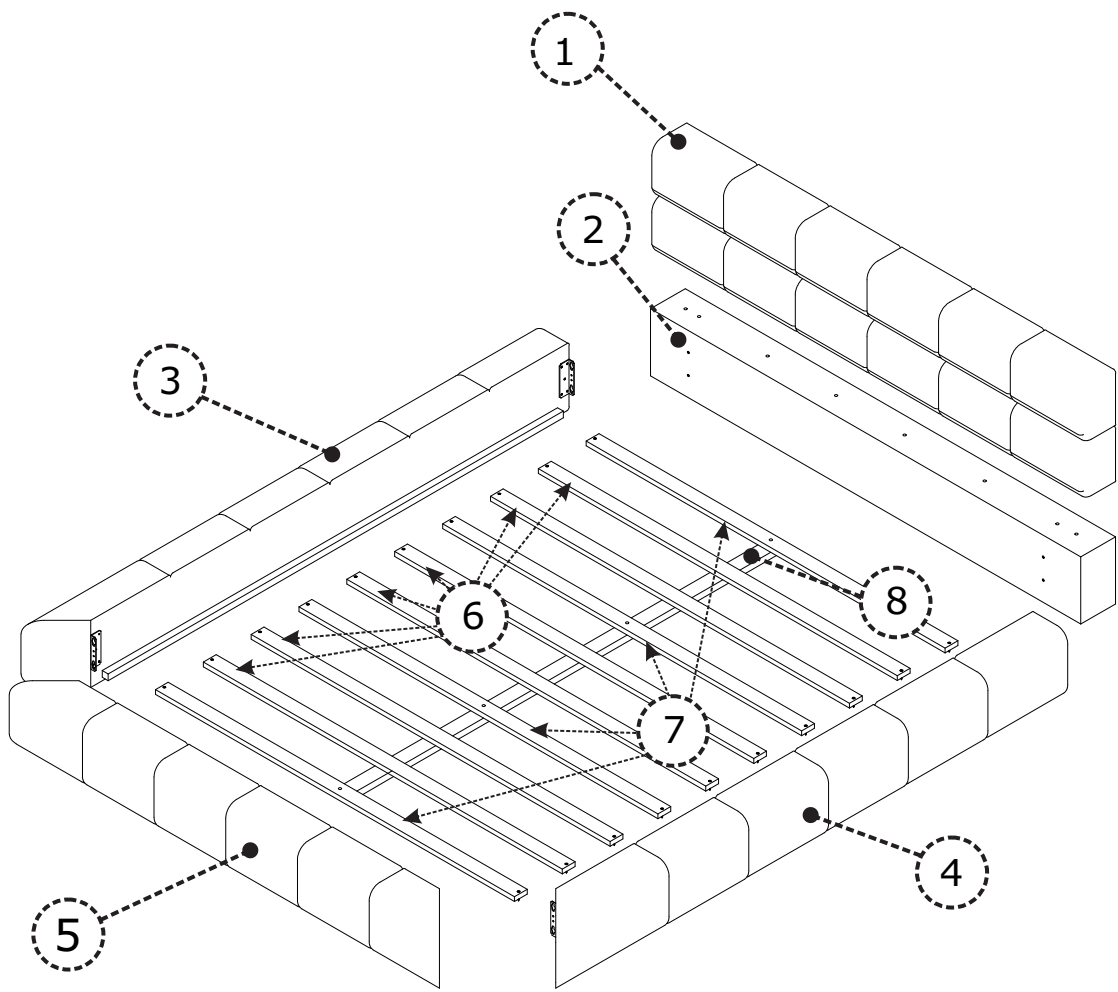


# ASSEMBLY INSTRUCTIONS

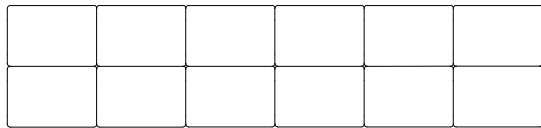


# PARTS

Check that you've received  
all parts listed below.

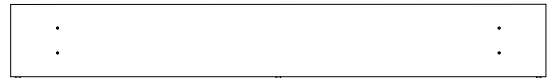
**BOX: 1/2**

① x 1



Head Board

② x 1



Head legs

⑤ x 1



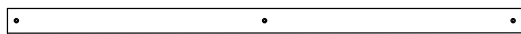
Foot Board

⑥ x 6



Flats

⑦ x 4



Flats

Hardware

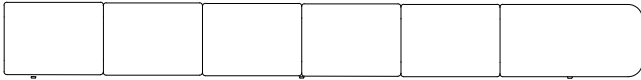


# PARTS

Check that you've received  
all parts listed below.

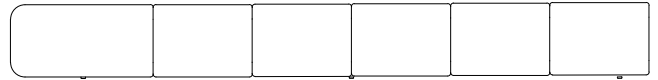
**BOX: 2/2**

3 x 1



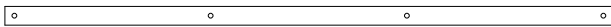
Side Board Left

4 x 1



Side Board Right

8 x 1



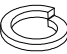







Support Slats

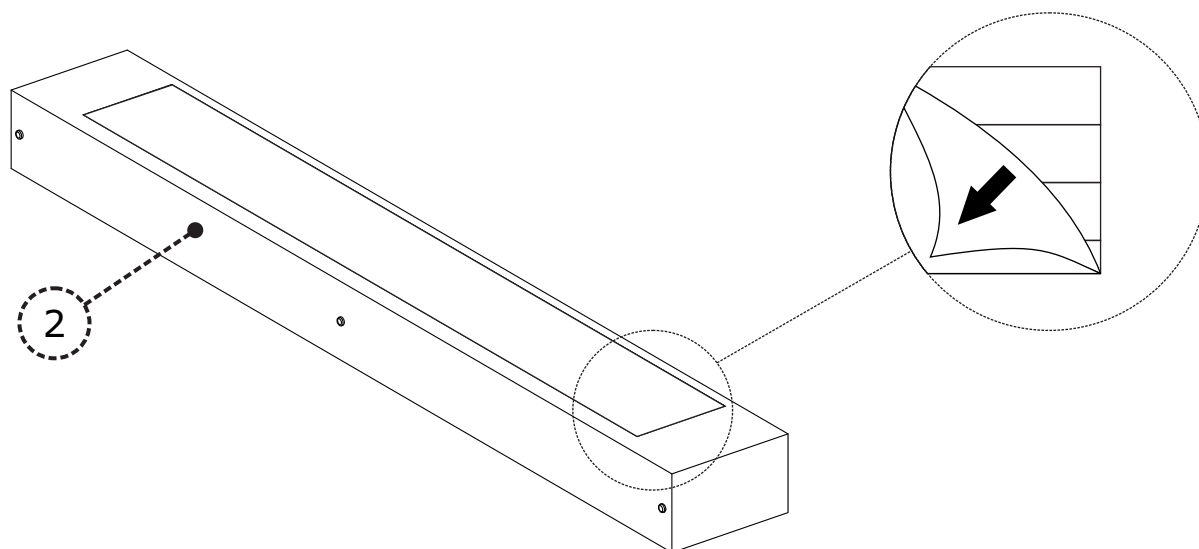
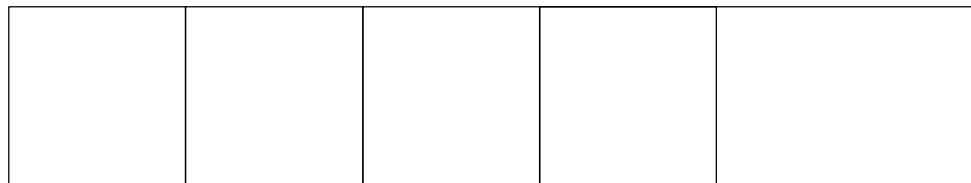
# HARDWARE

Check that you've received all hardware listed below.

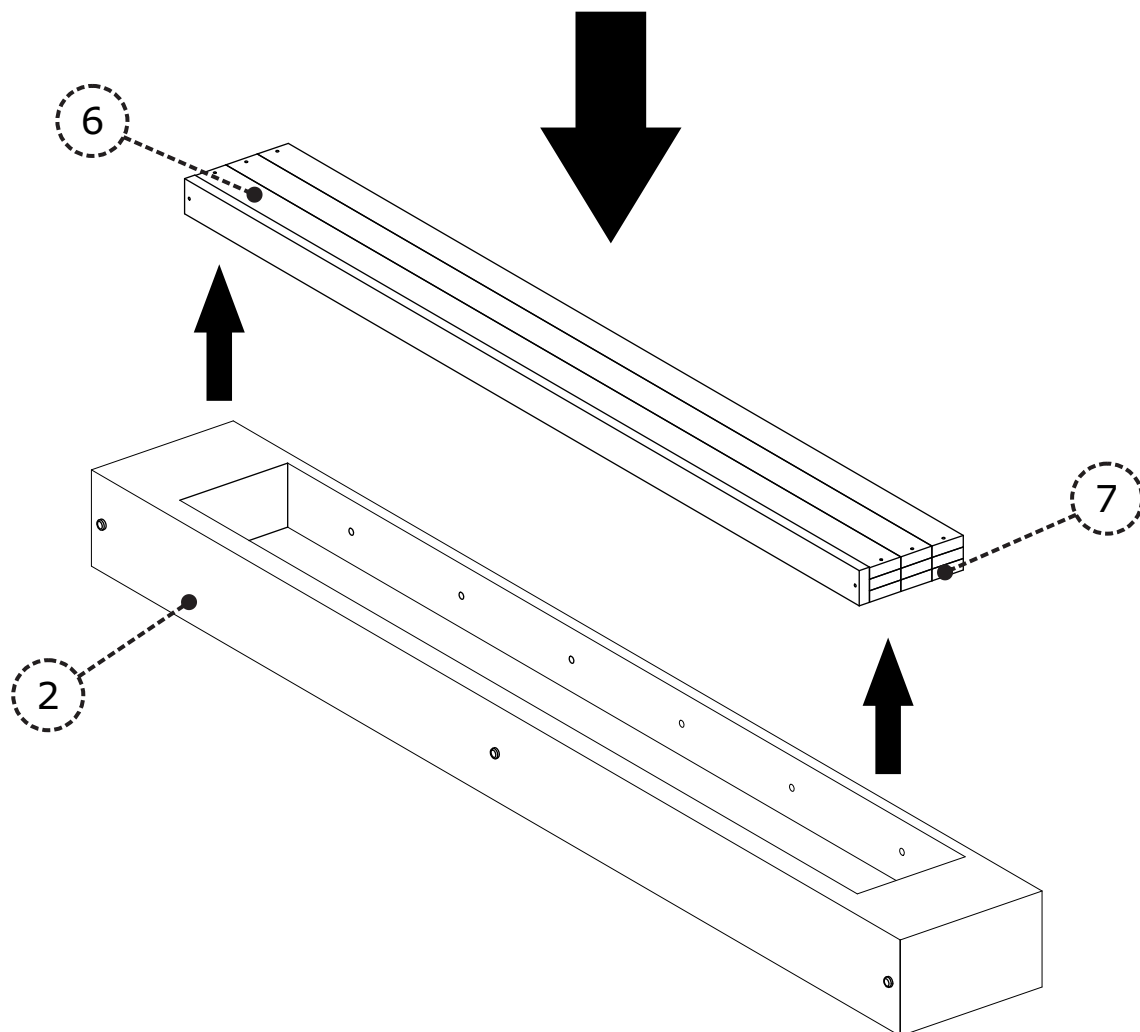
## Hardware List

No.	OUTLOOK	DESC	QTY
(A)		<b>Bolts</b> 5/16"x38 mm	12
(B)		<b>Plain washer</b> Ø19x1.5 mm	18
(C)		<b>Spring washer</b> Ø13x1 mm	18
(D)		<b>Allen key</b> 80x30x4 mm	1
(E)		<b>Bolts</b> 5/16"x45 mm	6
(F)		<b>Screws</b> Ø4x30 mm	20
(G)		<b>Dowel</b> Ø10x30 mm	2
(H)		<b>Adjust Foot</b> 1/4"x15 mm	3

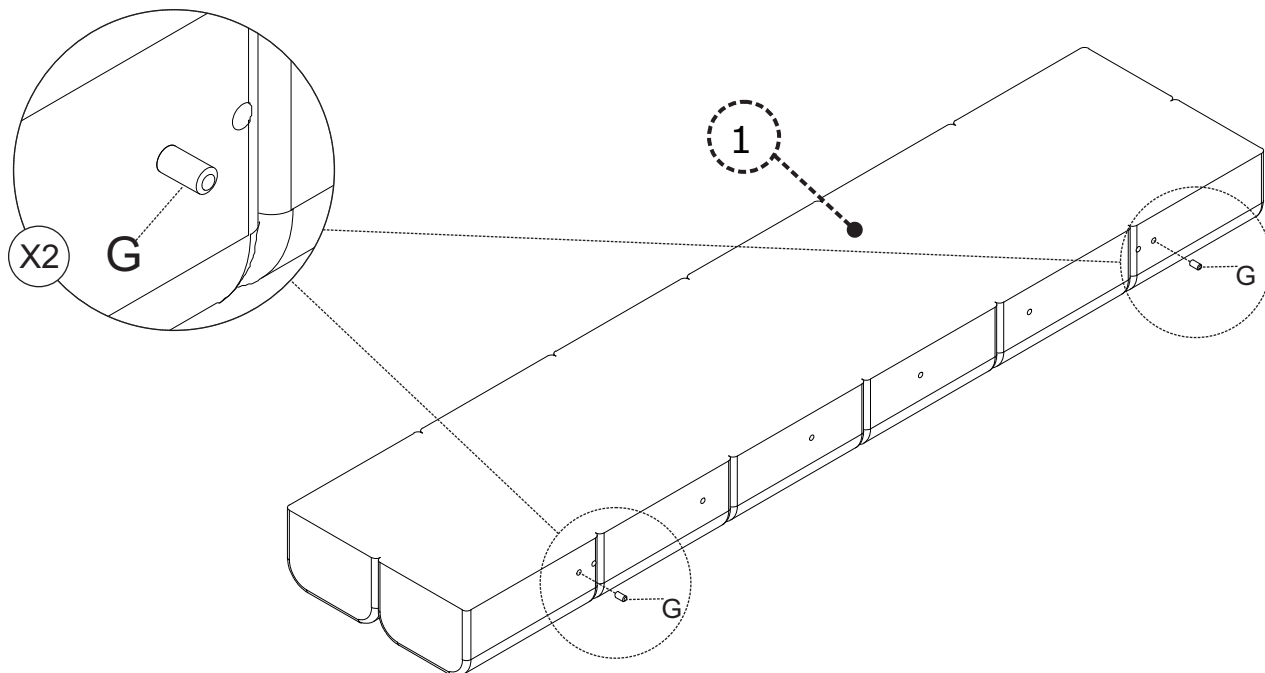
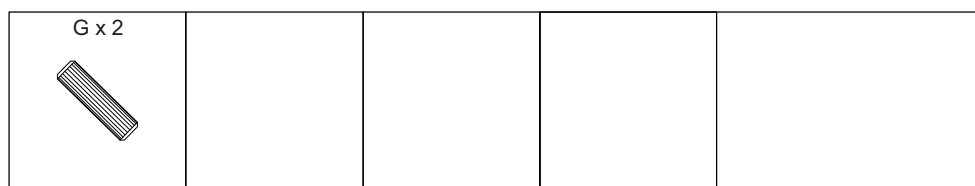
# STEP 1



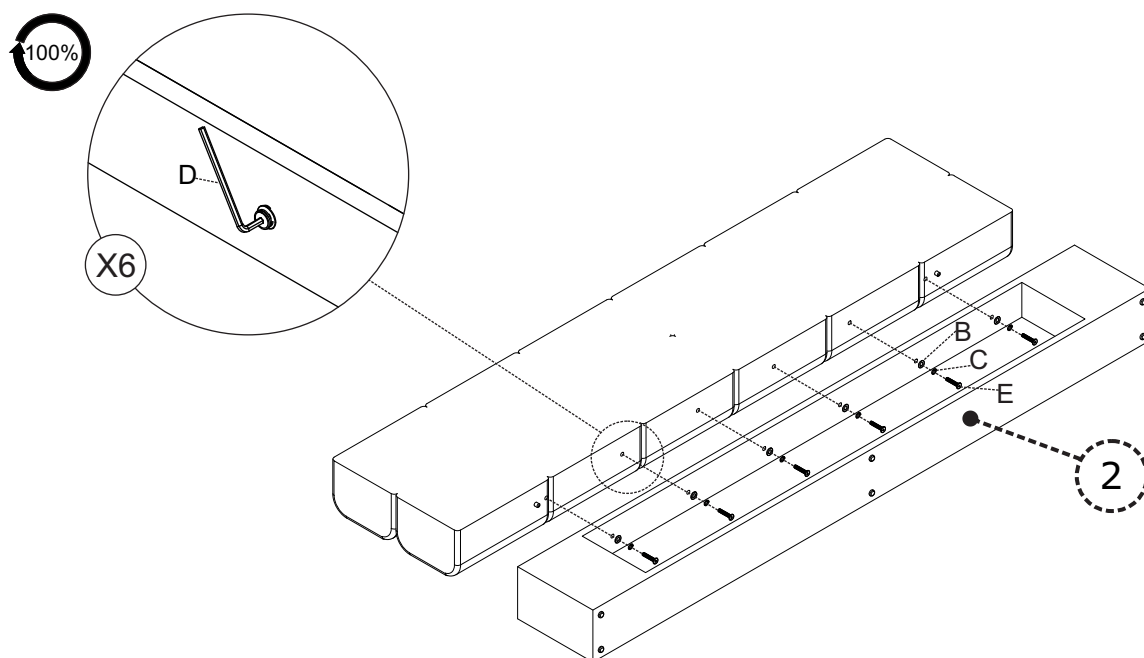
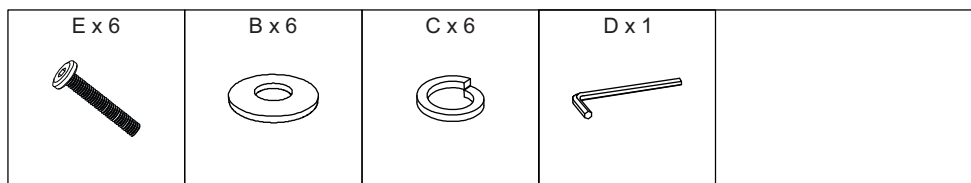
Open up the black fabric and take out details 6+7







# STEP 2

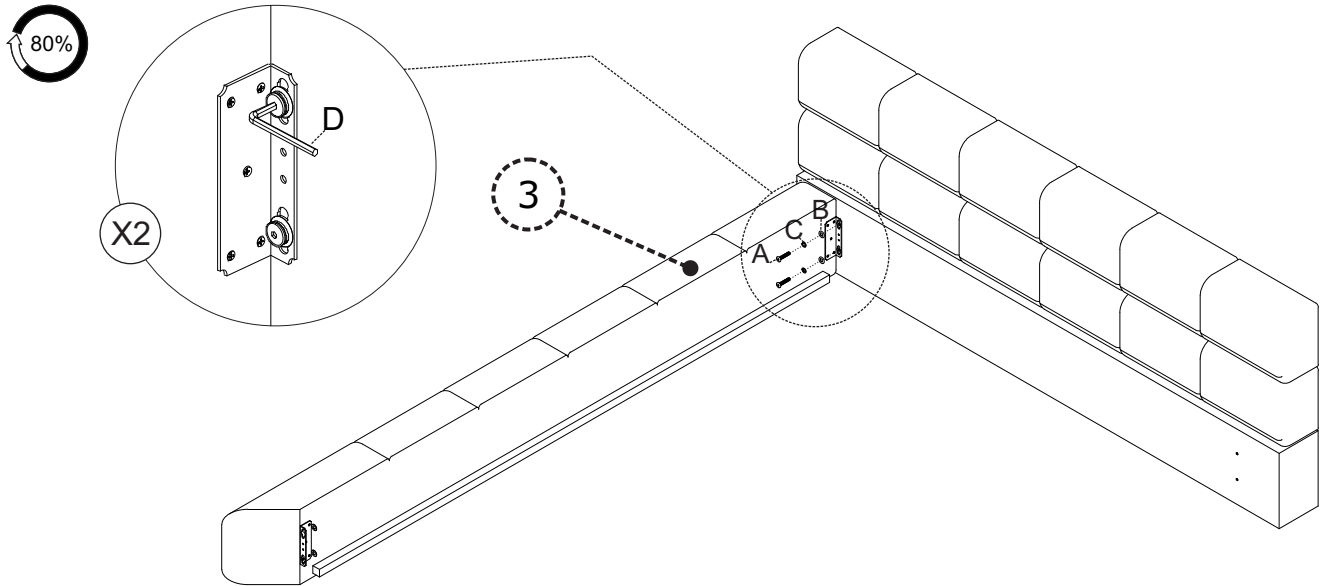


# STEP 3







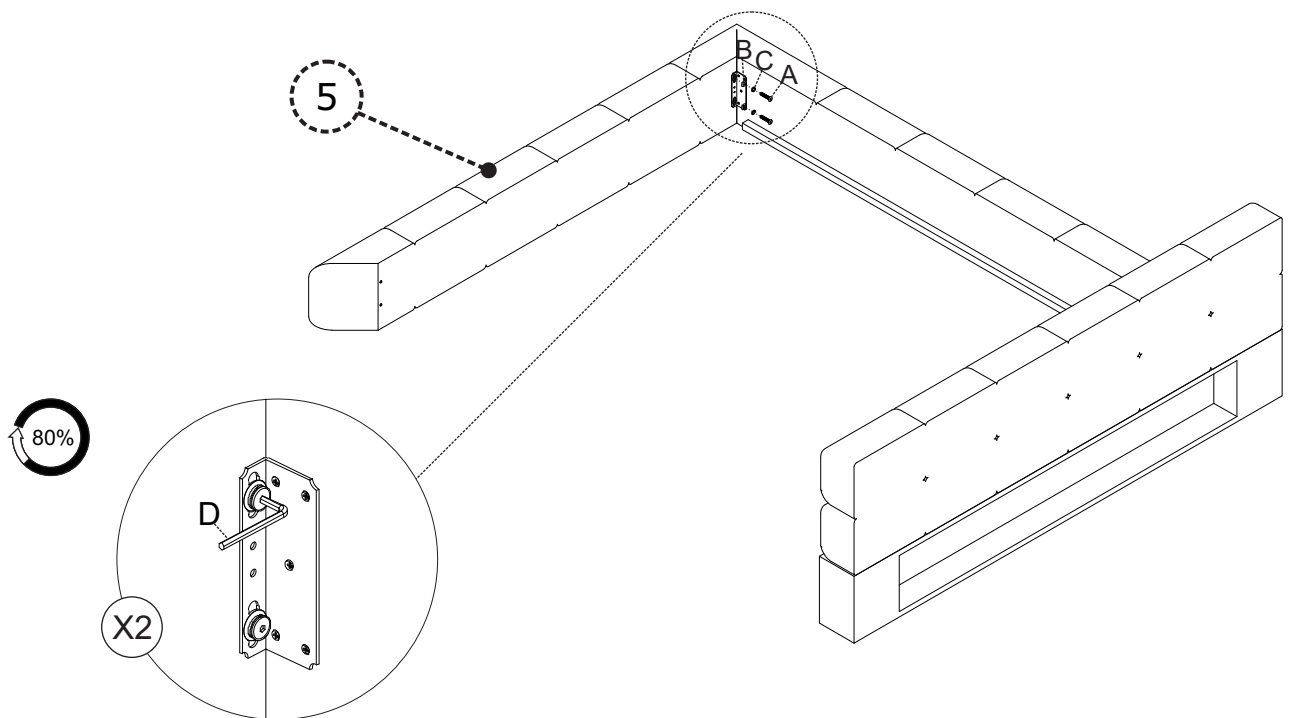
# STEP 4

A x 2 	B x 2 	C x 2 	D x 1 	
--	--	--	--	--







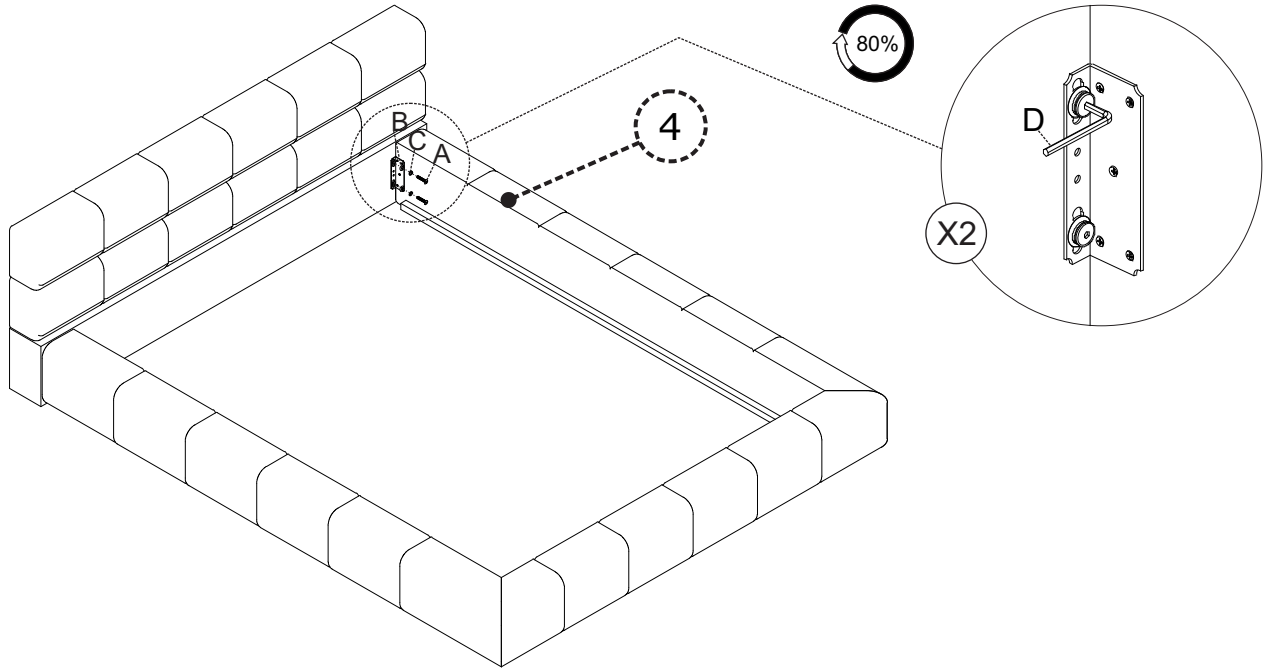
# STEP 5

A x 2 	B x 2 	C x 2 	D x 1 	
--	--	--	--	--







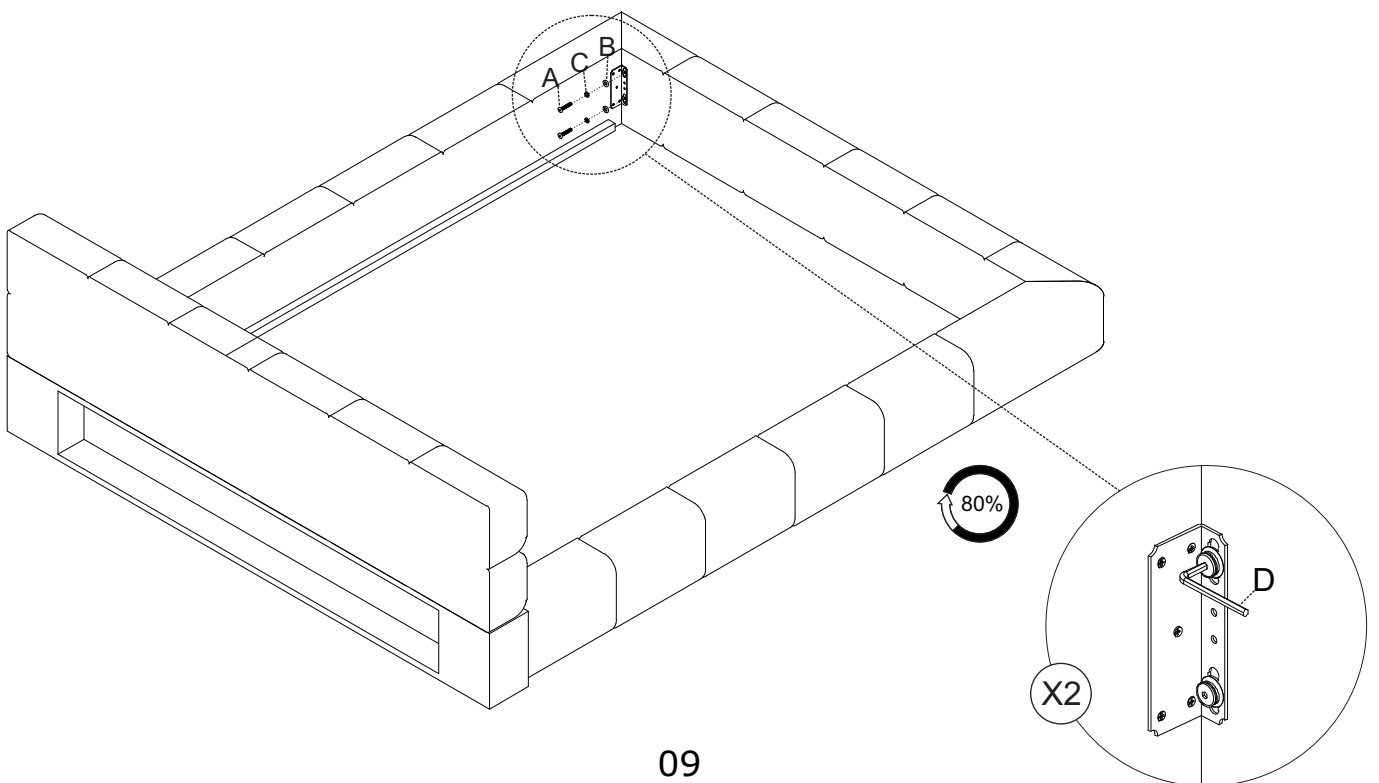
# STEP 6

A x 2 	B x 2 	C x 2 	D x 1 	
--	--	--	--	--

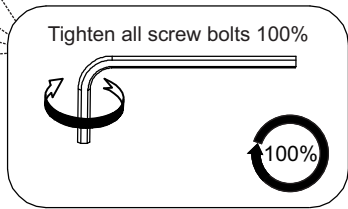
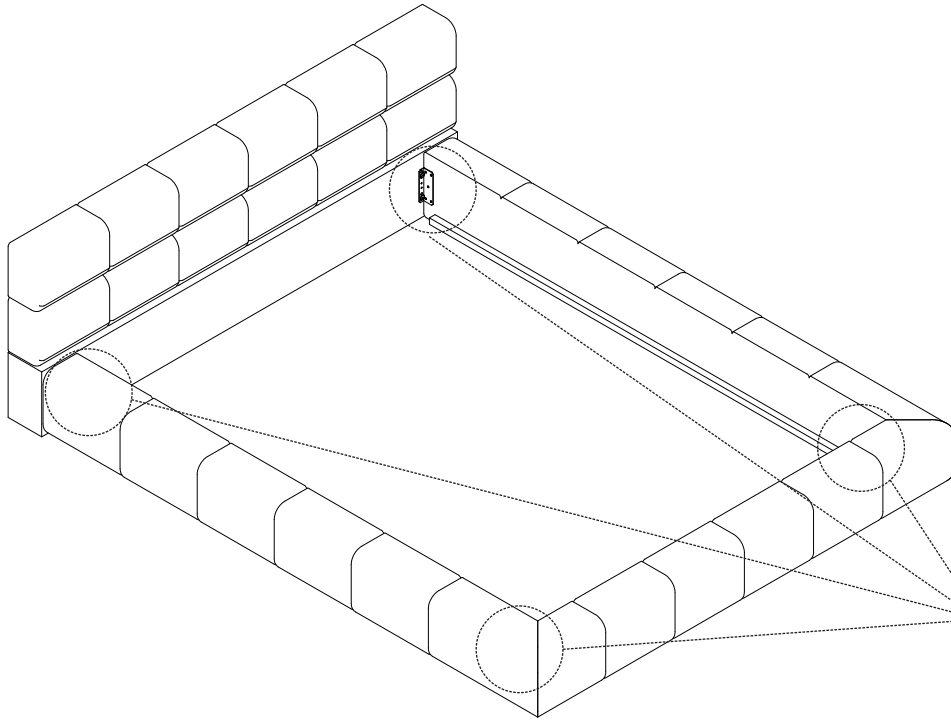
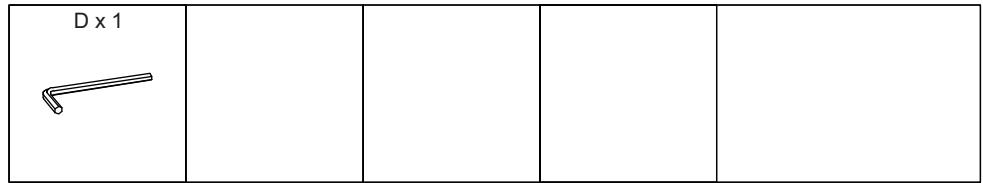


# STEP 7

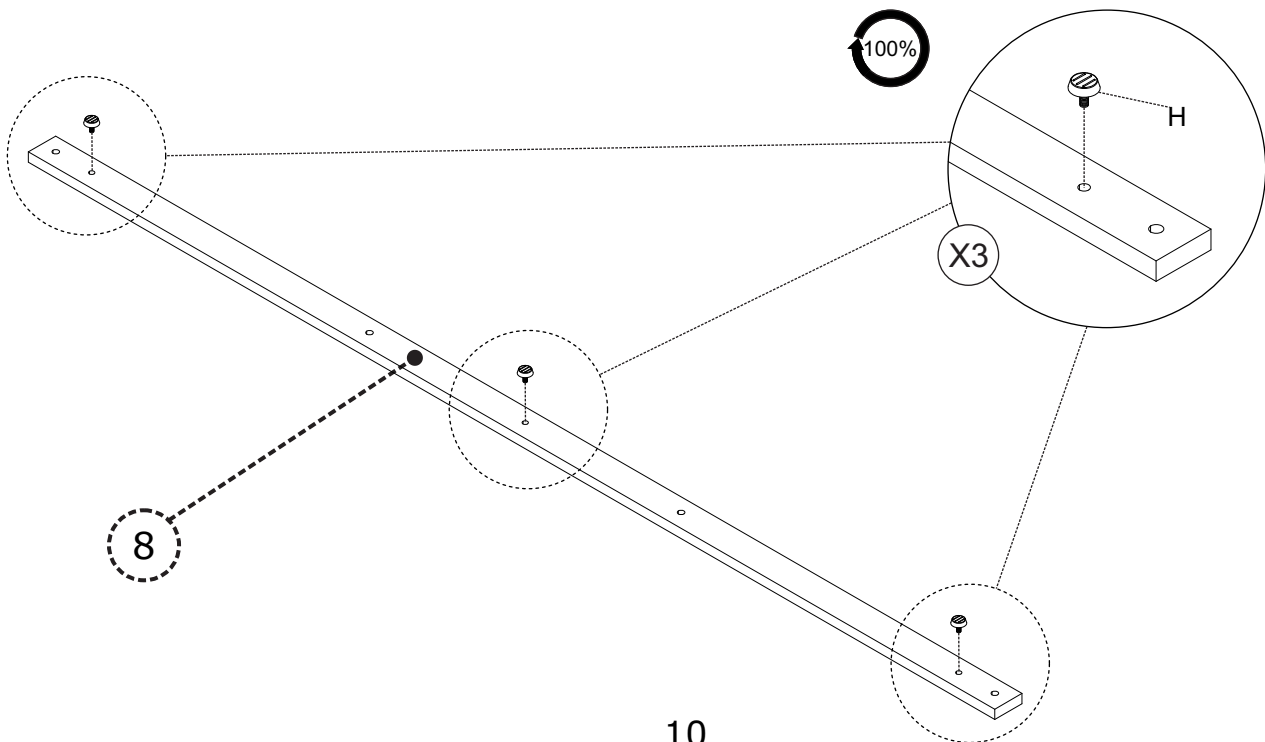
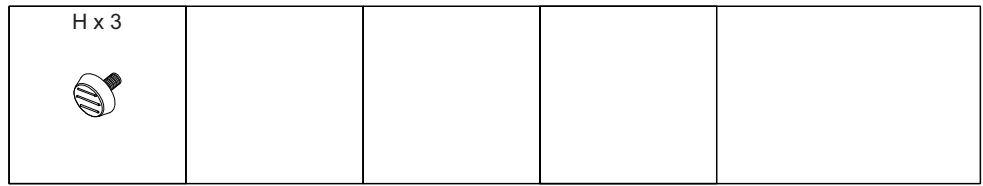
A x 2 	B x 2 	C x 2 	D x 1 	
--	--	--	--	--



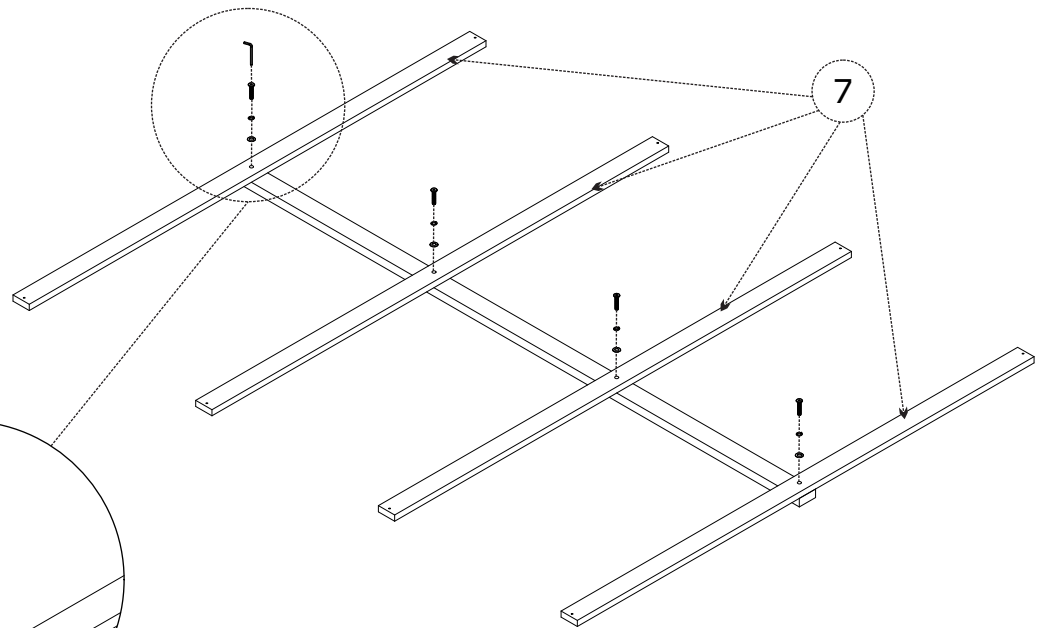
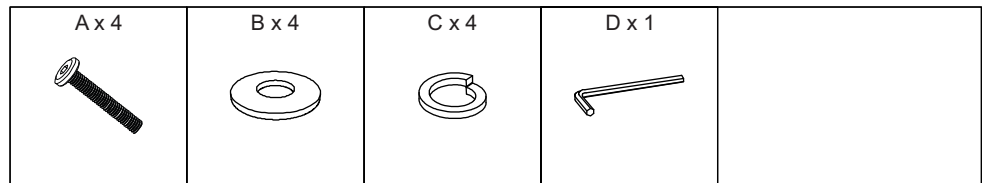
# STEP 8



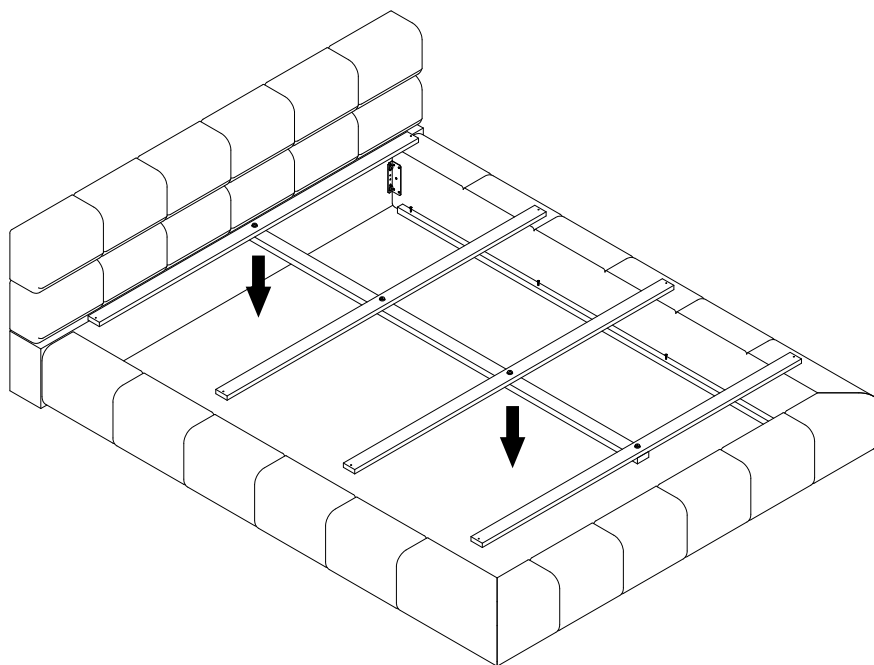
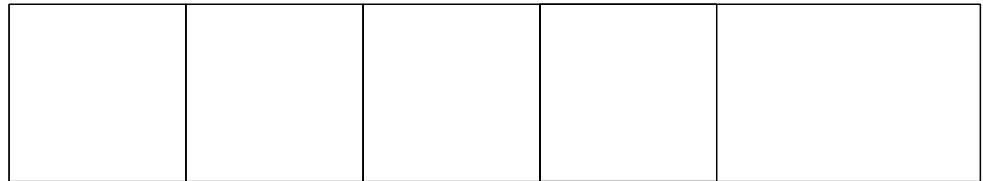
# STEP 9



# STEP 10



# STEP 11



# STEP 12

