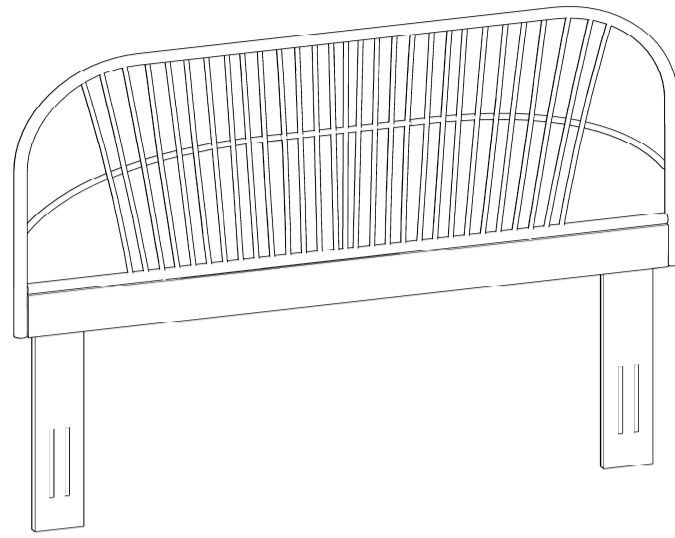
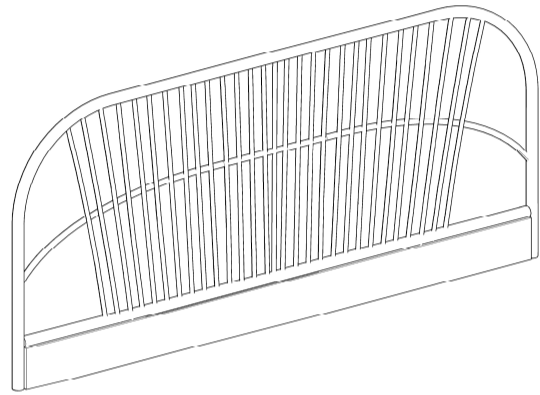


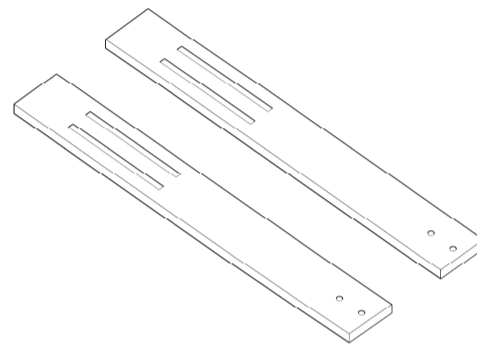
## **ASSEMBLY INSTRUCTION**



## **PART LIST**



( A ) HB head : 1pc



( B ) Leg : 2pcs

## **HARDWARE LIST**



( 1 ) Allen key : 1pc



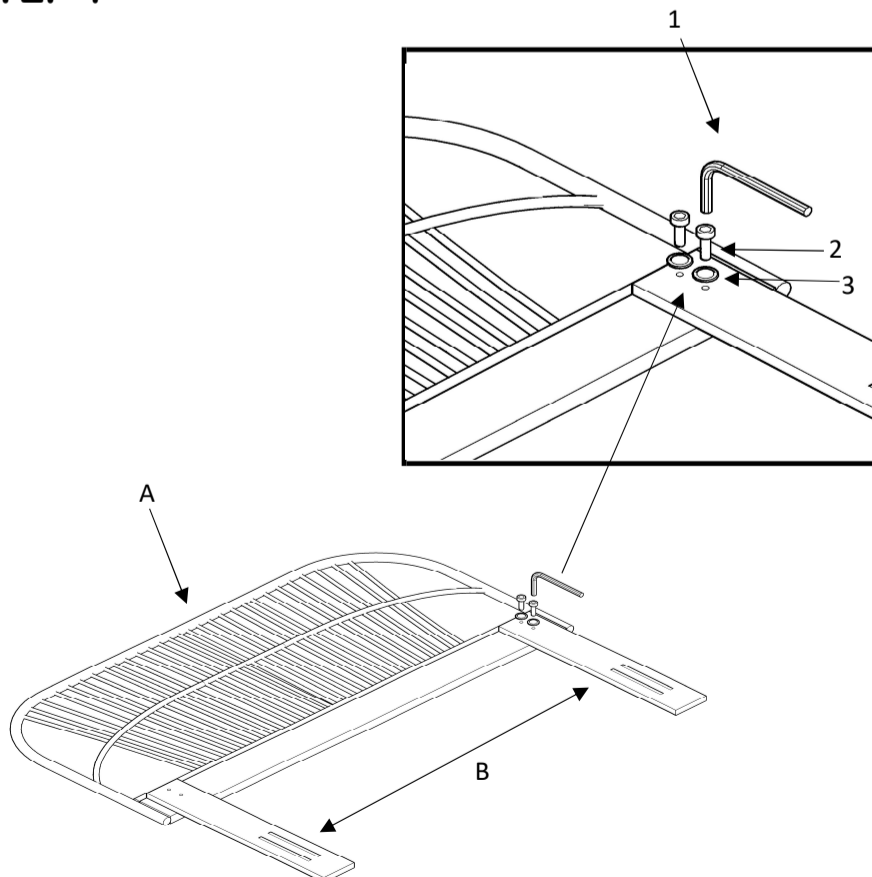
( 2 ) JCBC Bolt : 4pcs



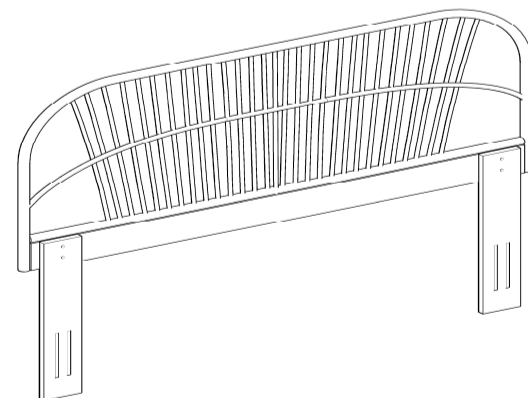
( 3 ) flat washer : 4pcs

## **ASSEMBLY INSTRUCTION**

### **STEP 1**



### **STEP 2**



Use steps 1 and 2 if your're attaching the headboard to a bed frame.