
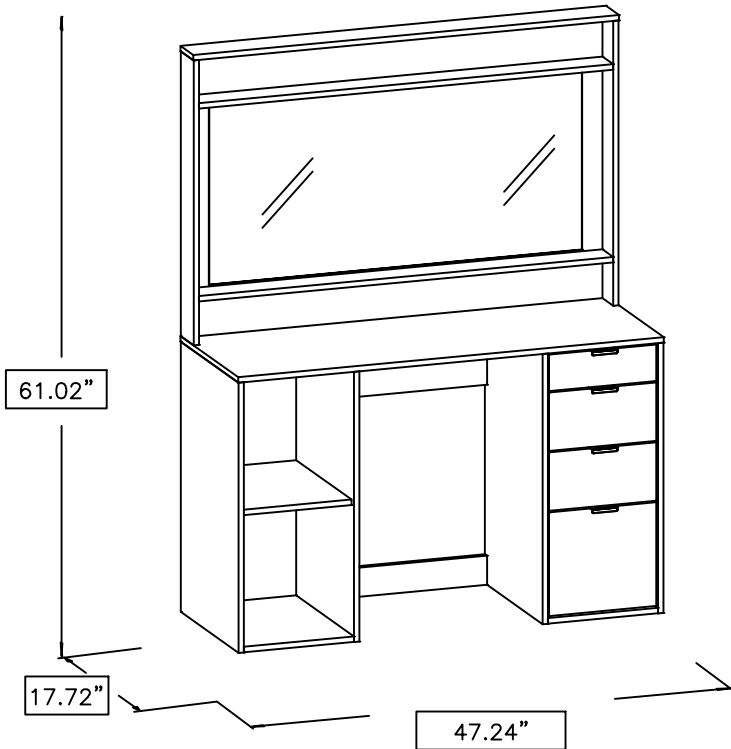
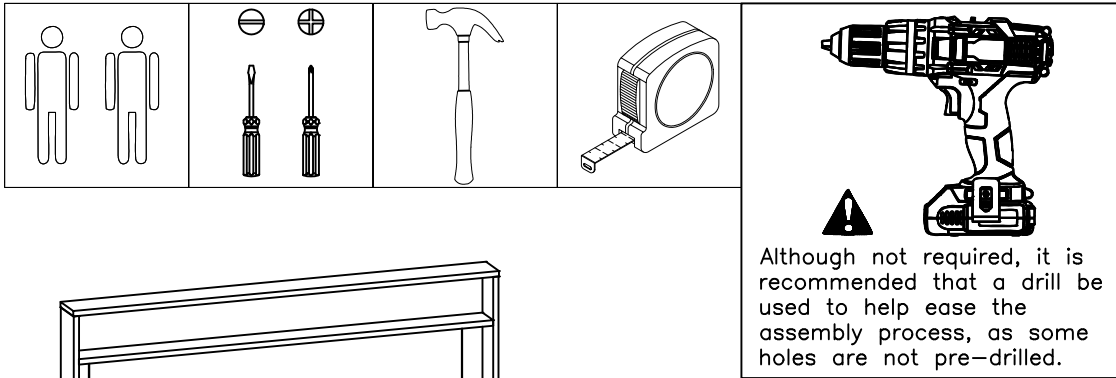
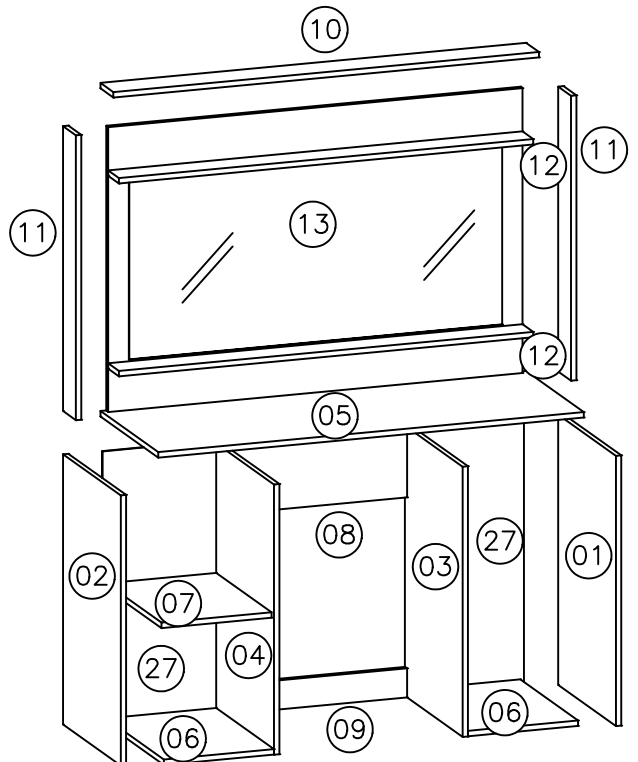
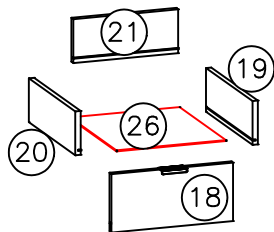
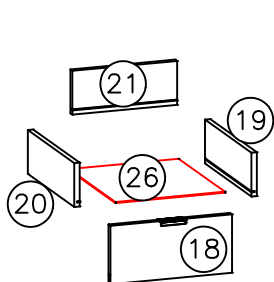
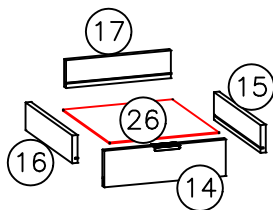
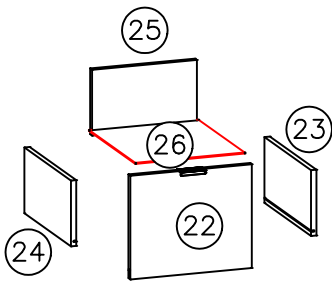


ASSEMBLY INSTRUCTIONS

 Warning – CHOKING HAZARD – Small Parts Not for children under 3 years. Adult assembly required.



Part Identification



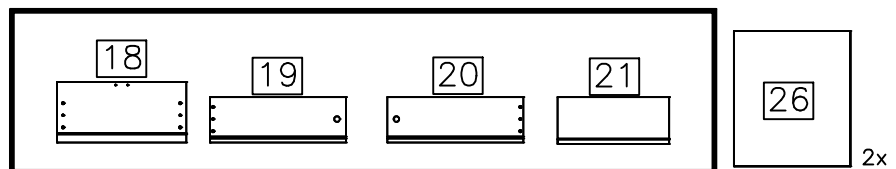
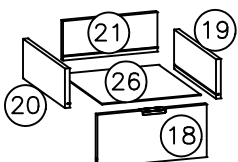
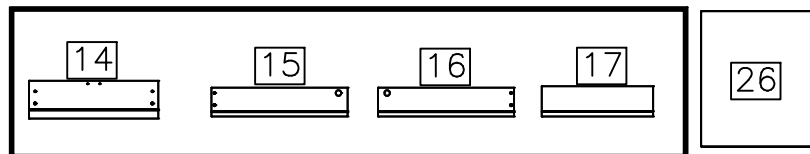
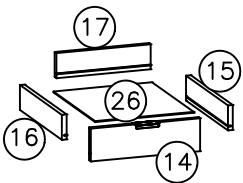
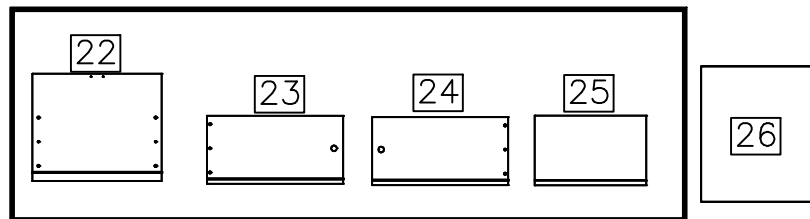
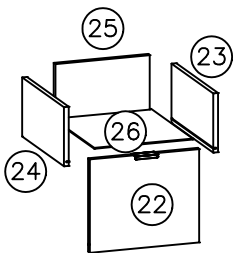
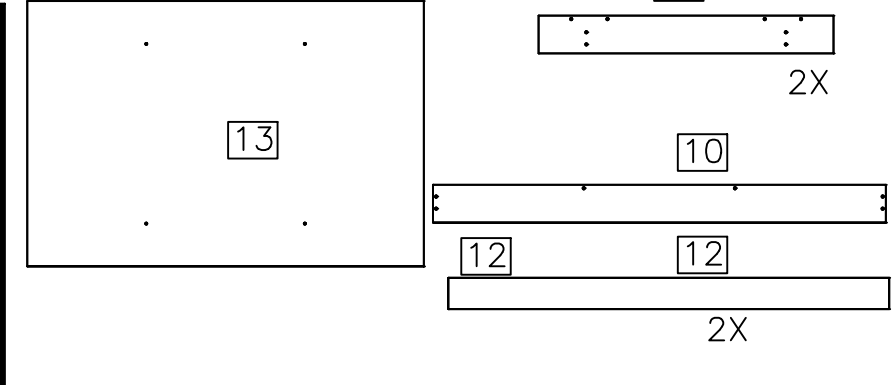
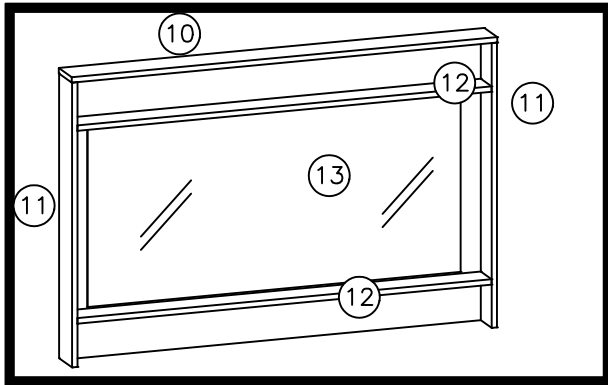
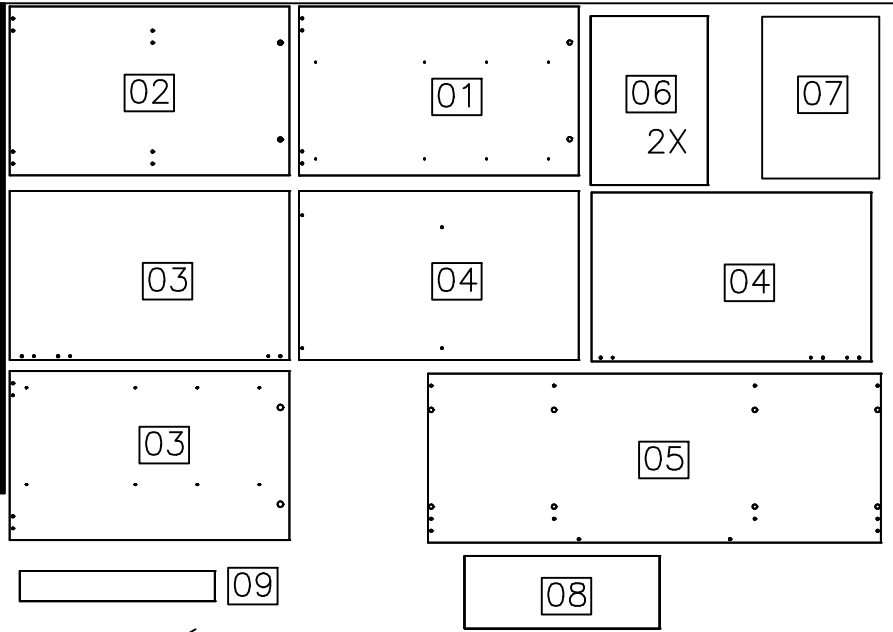
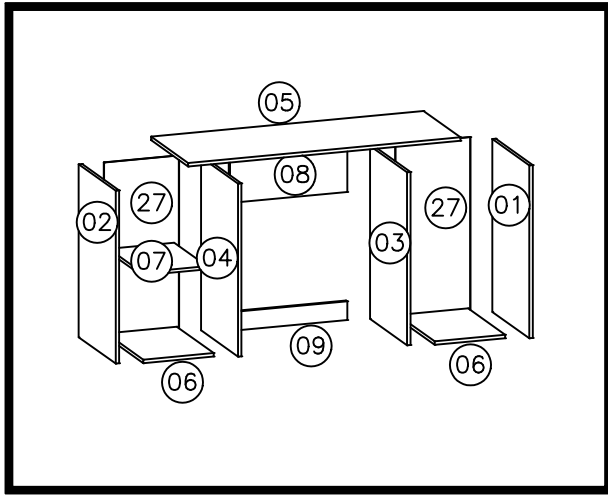
List of pieces

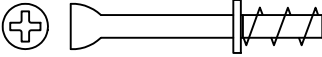
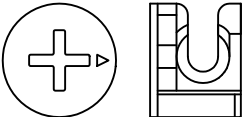

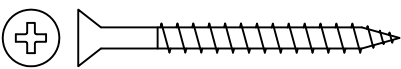
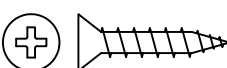

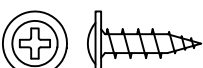
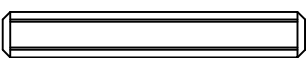
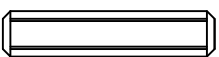
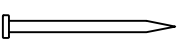
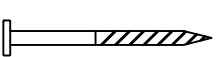
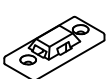

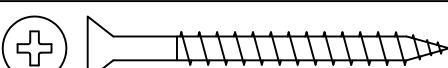

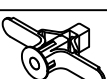
Code	Description	Descrição (Internal production data)	Amount	Length (in.)	Width (in.)	Thickness (in.)	Box
01	Right Side Panel	Lateral direita	1	29.13"	17.60"	.59"	A
02	Left Side Panel	Lateral esquerda	1	29.13"	17.60"	.59"	A
03	Right Divider	Divisória Direita	1	29.13"	17.60"	.59"	A
04	Left Divider	Divisória Esquerda	1	29.13"	17.60"	.59"	A
05	Top	Tampo	1	47.17"	17.60"	.59"	B
06	Bottom/Base	Base	2	12.20"	17.60"	.59"	A
07	Fixed bottom shelf	Prateleira inferior fixa	1	12.20"	16.85"	.59"	A
08	Support	Reforço	1	43'-0"	7.56"	.59"	A
09	Baseboard	Rodapé	1	43'-0"	3.15"	.59"	A
10	Top-Upper-Large	Tampo superior	1	47.17"	3.94"	.59"	B
11	Side Panel Support	Lateral superior	2	264'-3"	3.94"	.59"	A
12	top shelf	Prateleira superior	2	45.91"	3.27"	.59"	B
13	Back of Mirror	Costa do espelho	1	45.91"	264'-3"	.59"	B
14	Larger Front of Drawer-Small	Frente de gaveta menor	1	11.89"	3.94"	.59"	A
15	Right Side of Drawer	Lateral de gaveta direita	1	14.17"	2.99"	.59"	A
16	Left Side of Drawer	Lateral de gaveta esquerda	1	14.17"	2.99"	.59"	A
17	Back of Drawer-Small	Cabeceira de gaveta menor	1	10.04"	2.99"	.59"	A
18	Larger Front of Drawer-Medium	Frente de gaveta média	2	11.89"	52'-7"	.59"	A
19	Right Side of Drawer-Medium	Lateral de gaveta média direita	2	14.17"	4.72"	.59"	A
20	Left Side of Drawer-Medium	Lateral de gaveta média esquerda	2	14.17"	4.72"	.59"	A
21	Back of Drawer-Medium	Cabeceira de gaveta média	2	10.04"	4.72"	.59"	A
22	Front of Drawer - Largest	Frente do gavetão	1	11.89"	11.18"	.59"	A
23	Right Side of Drawer-Largest	Lateral do gavetão direita	1	14.17"	7.09"	.59"	A
24	Left Side of Drawer-Largest	Lateral do gavetão esquerda	1	14.17"	7.09"	.59"	A
25	Back of Drawer-Largest	Cabeceira do gavetão	1	10.04"	7.09"	.59"	A
26	Base of Drawer	Fundo de gaveta	4	10.55"	14.09"	.12"	A
27	Back Panel - Lower	Costa inferior	2	29.25"	12.99"	.12"	A

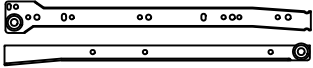
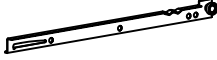
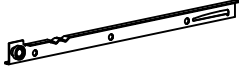
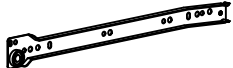
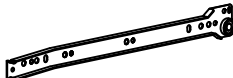
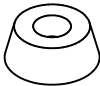
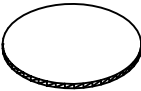
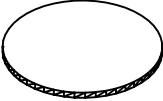
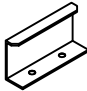
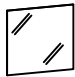

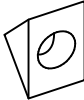


We Recommend you use the Box that your furniture came in as the base for your work space. This can help prevent and unnecessary damages from occurring.





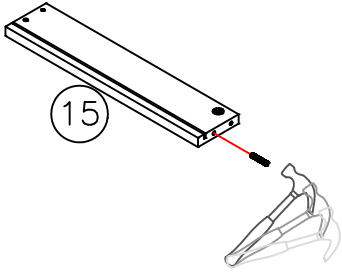
Hardware			
	Code	Description	Amou.
PM	29945	 Cam Screws	16
TM	29950	 Cam Locks	16
PE18	75515	 Screw 5x40	38
PC8	226	 Screw 4,0x40	8
PC5	5256	 Screw 4x20	8
PC3	4214	 Screw 3,5x14	32
PF2	25827	 Screw 3,5x14	8
C2	1925	 Dowel 6x50mm	2
C1	1802	 Dowel 6x29mm	62
PR1	107	 Nail 10x10	43
PR2	108	 Nail 12x12	8
Anti-tipping installation			
<p>Warning: For Measures of Safety, it is recommended that this item be fixed to the wall, to avoid overturning, if this happens it can cause serious or fatal injuries.</p> <p>ATENCIÓN: Por medidas de seguridad se recomienda fijar el mueble a la pared para evitar Volcamiento del mismo, si esto llegase a ocurrir puede causar lesiones graves o fatales.</p>			
SF	55606	 Mounting bracket	2
ANY	55607	 Clamp	1
PC10	51980	 Screw 4,5x50	2
PF4	1178	 Screw 3,5x16 BC	2
BG	29069	 Adapter sleeve	2

CM1	169		350mm metal slide set	4
CM1A			Right Drawer slide	
CM1B			Left drawer slide	
CM1C			Metallic slide for left sided panel	
CM1D			Metallic slide for right sided panel	
SD	1901		Shoe black	8
TP2	BR=8010 (New White)		Tap hole 13mm	46
TP1	BR=45292 (New White)		Tap hole 19mm	18
PX	BR=59291 (Branco)		Handle 70mm	4
ET	42967		Mirror 1050x504x3 mm	1
CZ3	58788		Allen key	1
S5	18458		Black triangular support	8

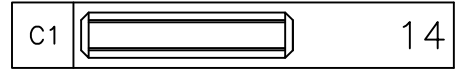
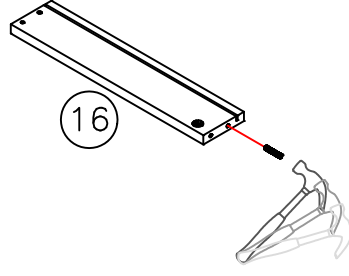
1A

Drawer Preassembly

This process is repeated twice



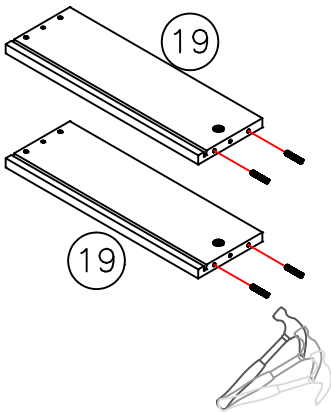
This process is repeated twice



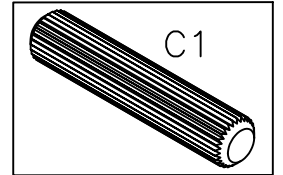
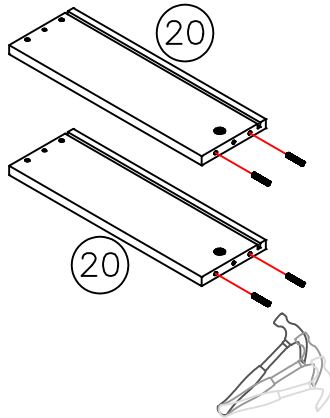
1B

Drawer Preassembly

This process is repeated twice

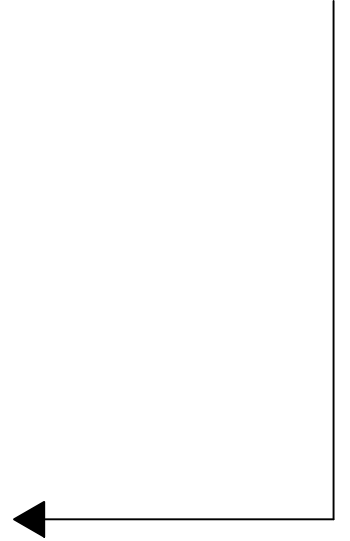
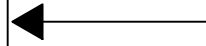
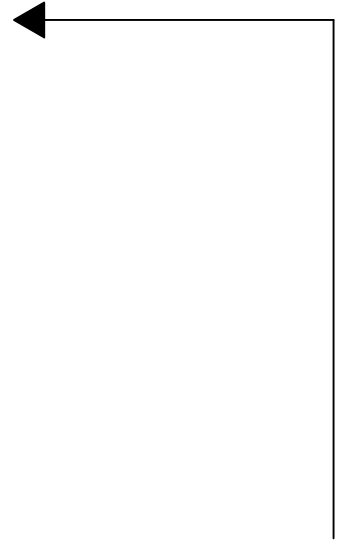
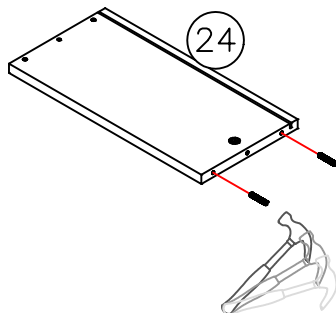
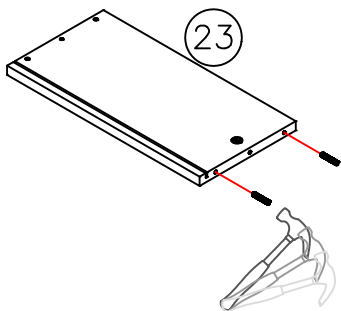


This process is repeated twice

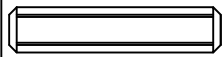


1C

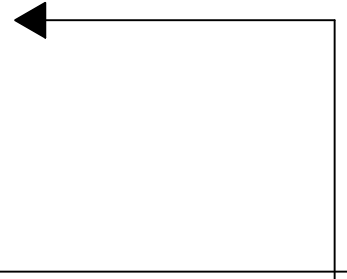
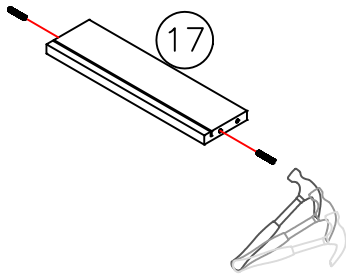
Drawer Preassembly



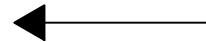
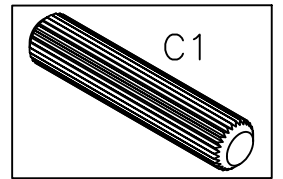
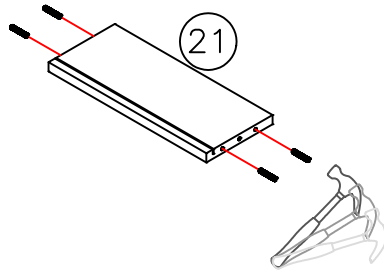
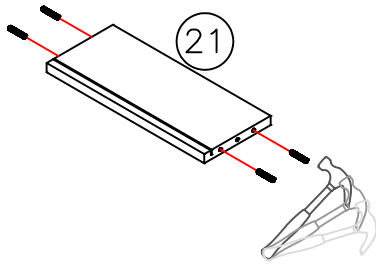
Drawer Preassembly

C1		14
----	---	----

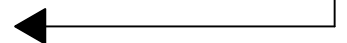
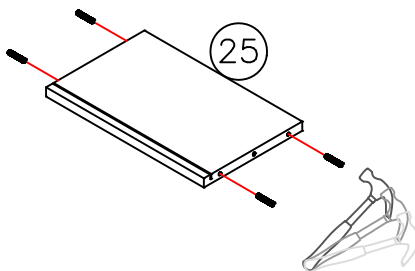
1E



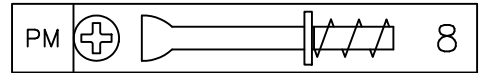
1F



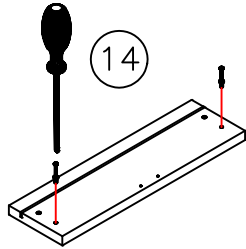
1G



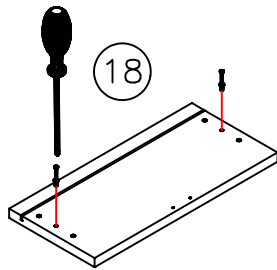
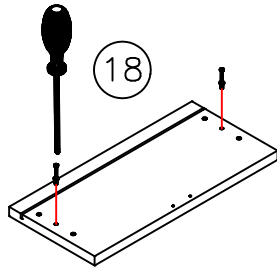
Drawer Preassembly



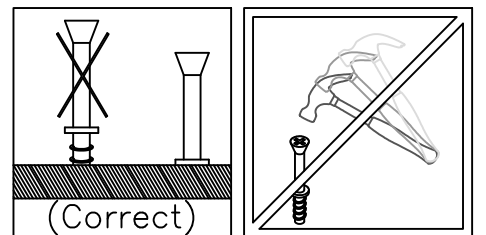
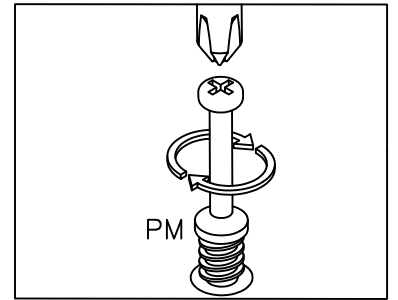
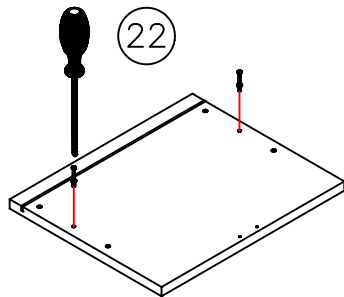
1I



1J

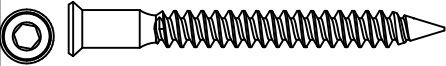

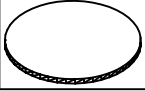


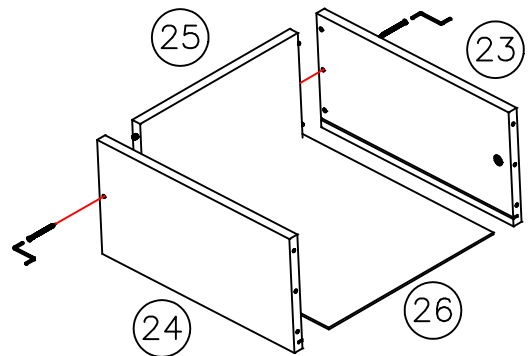
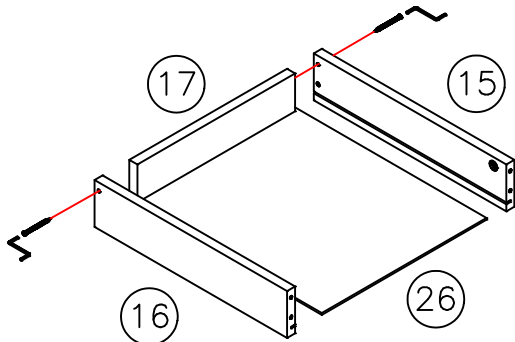
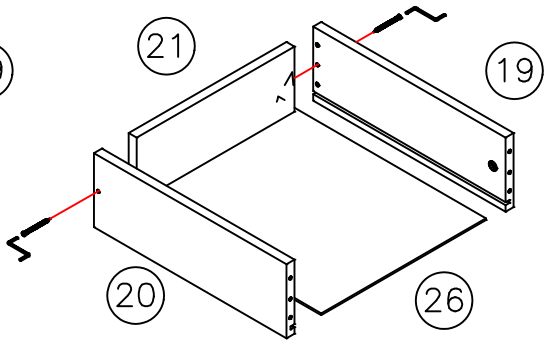
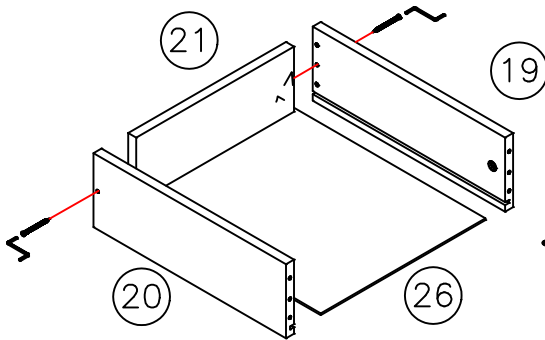
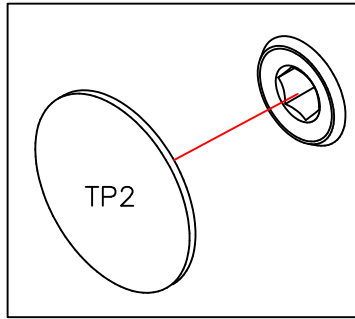
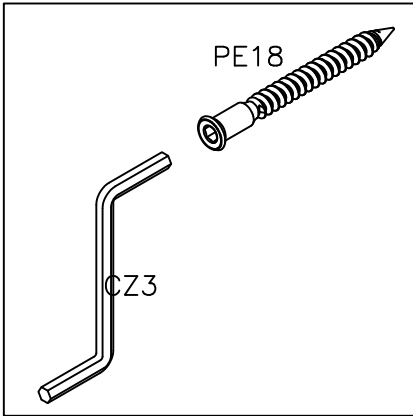
1K



2

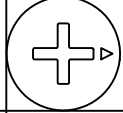
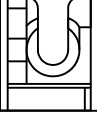
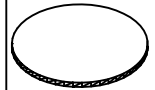
Drawers Mounting

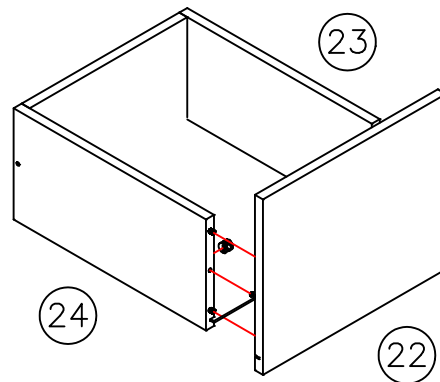
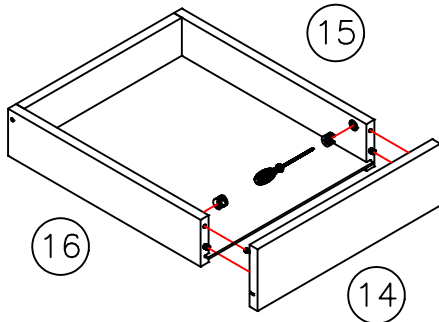
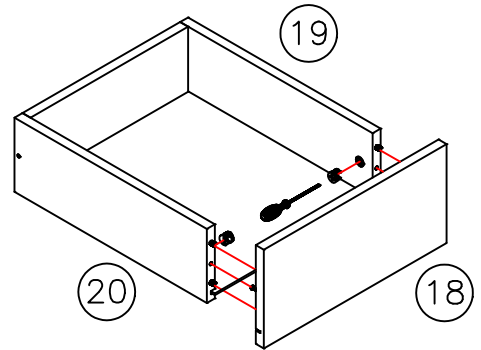
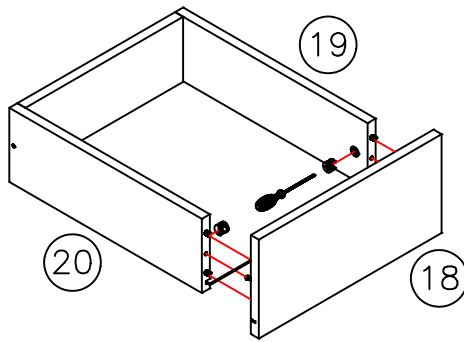
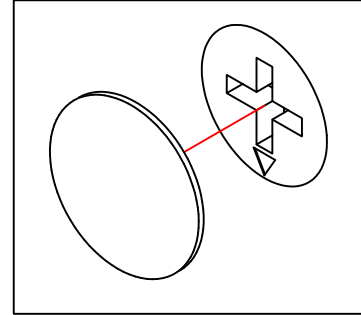
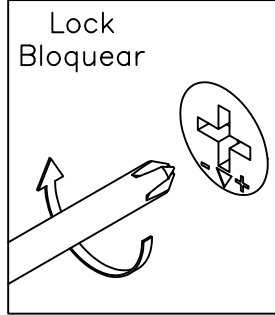
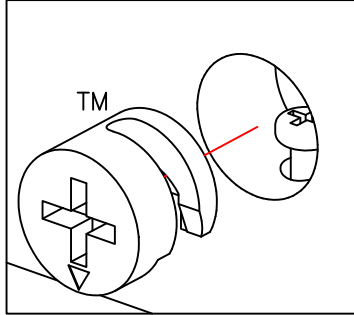
PE18		8
CZ3		1
TP2		8



3


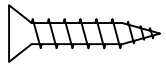
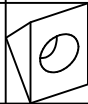
Drawers Mounting

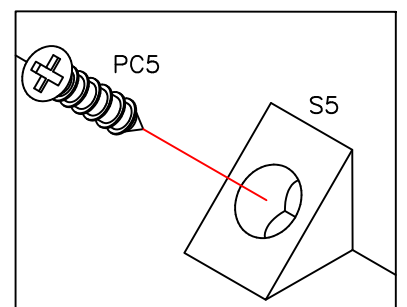
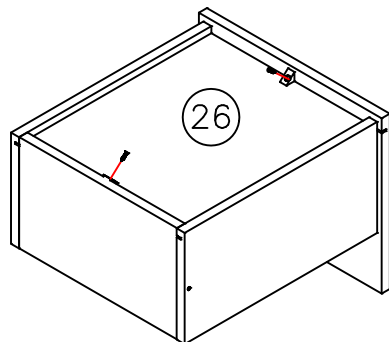
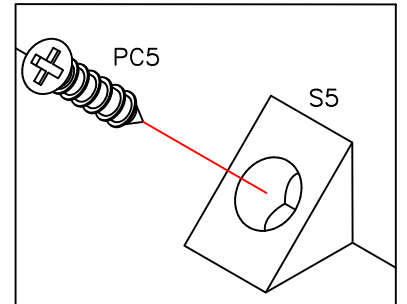
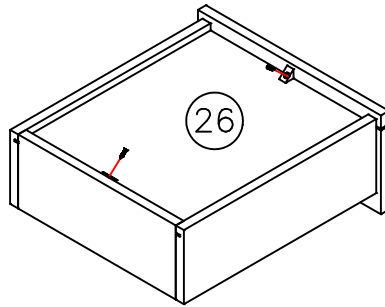
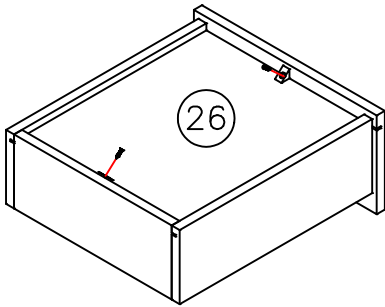
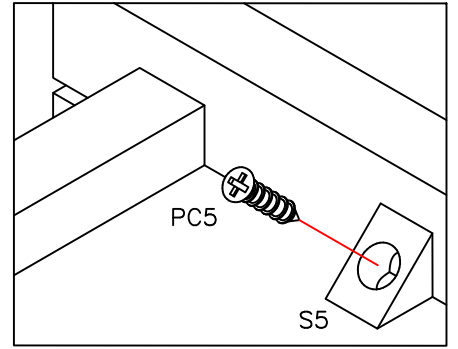
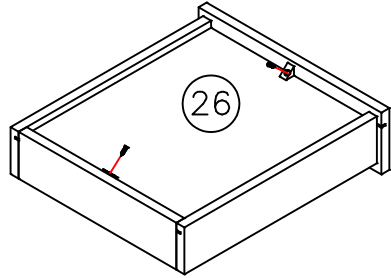
TM			8
TP1			8






4

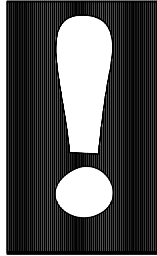
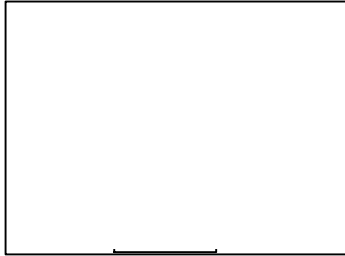
Drawers Mounting

PC5			8
S5			8



Drawers Mounting

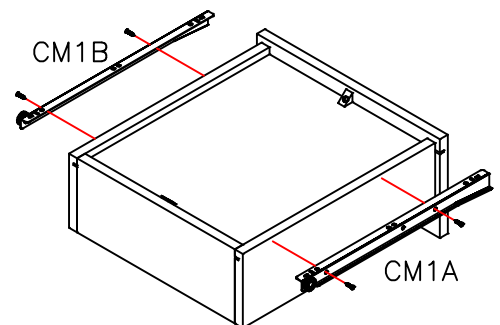
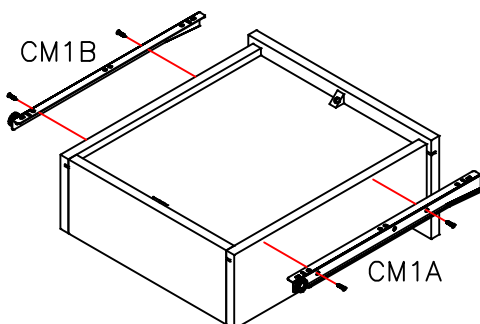
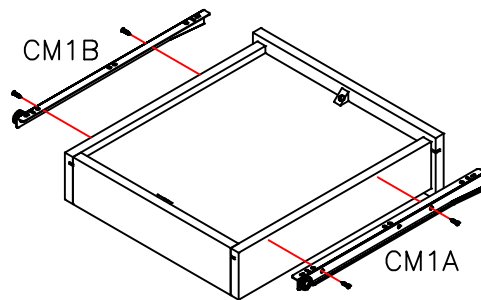
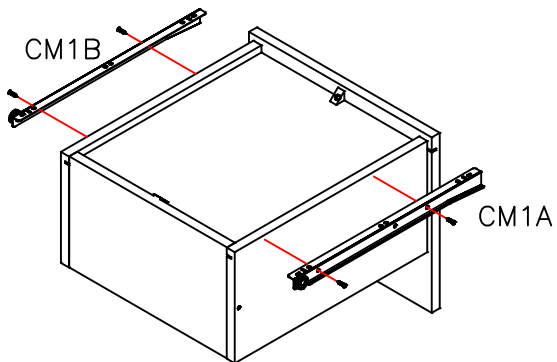
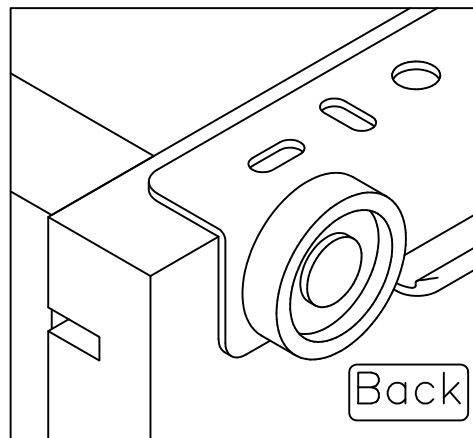
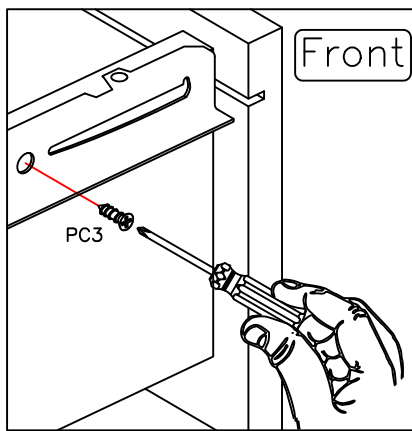
CM1A		4
CM1B		4
PC3		16



Please ensure that these screws are complete screwed in. As failure to do so could cause issues when installing the drawer.

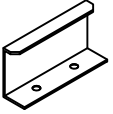
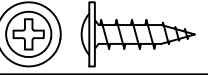


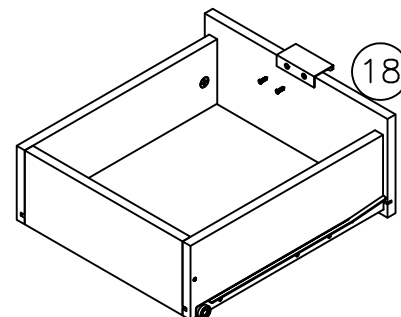
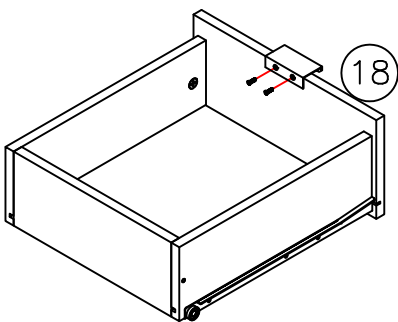
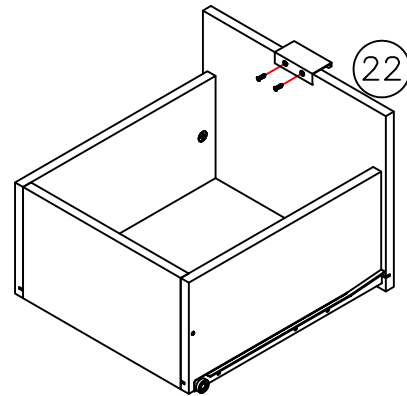
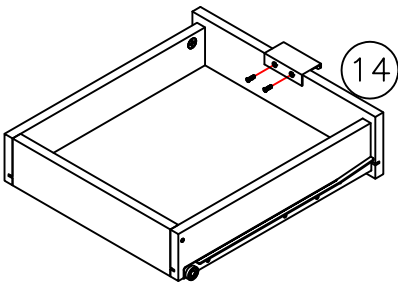
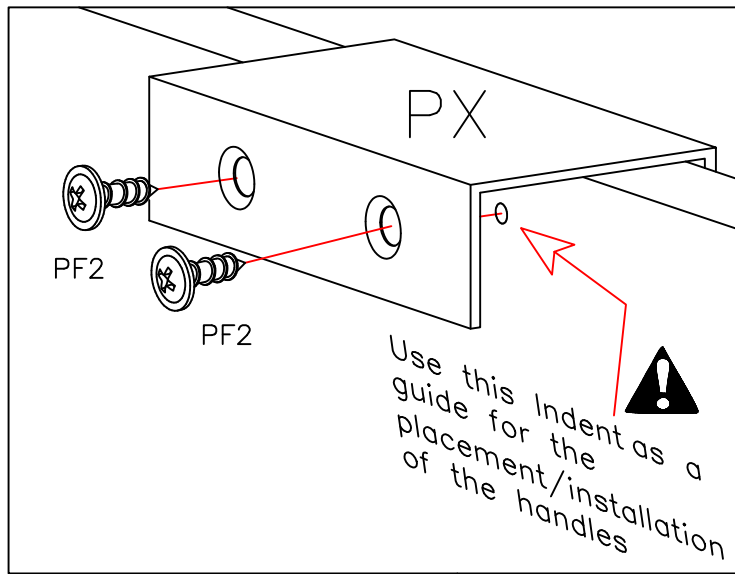
Wheels should Always be towards the back of the Drawers

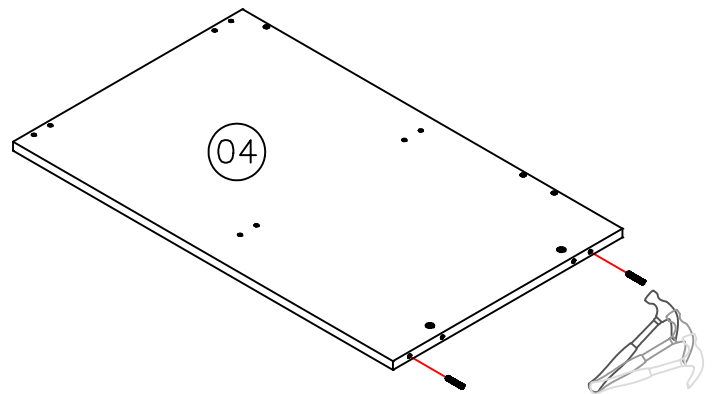
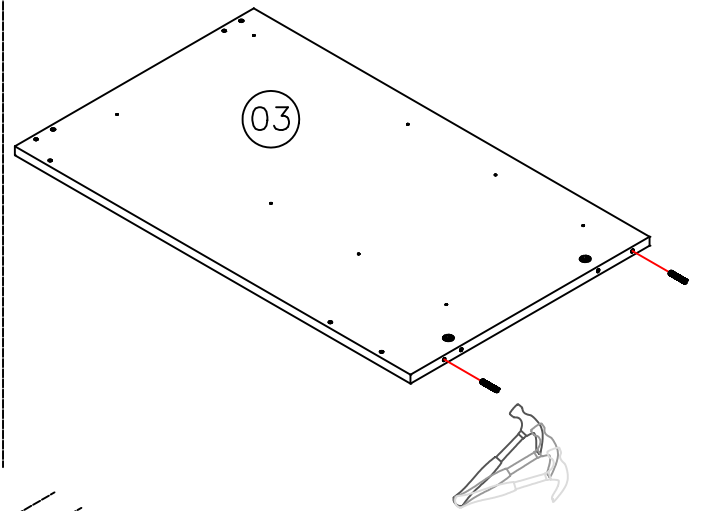
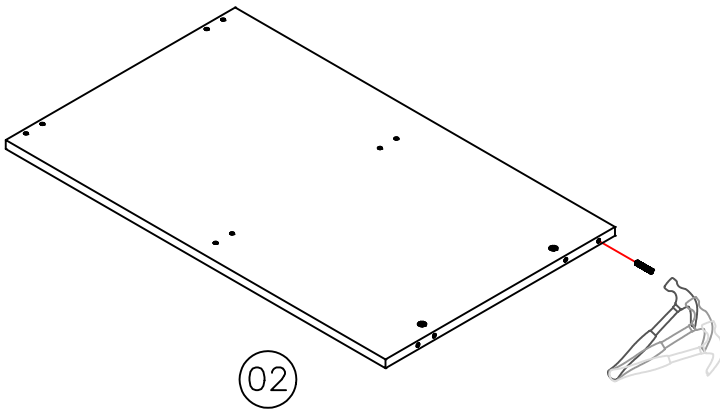
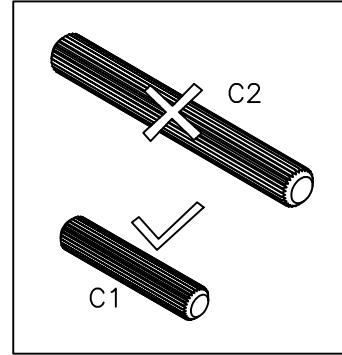
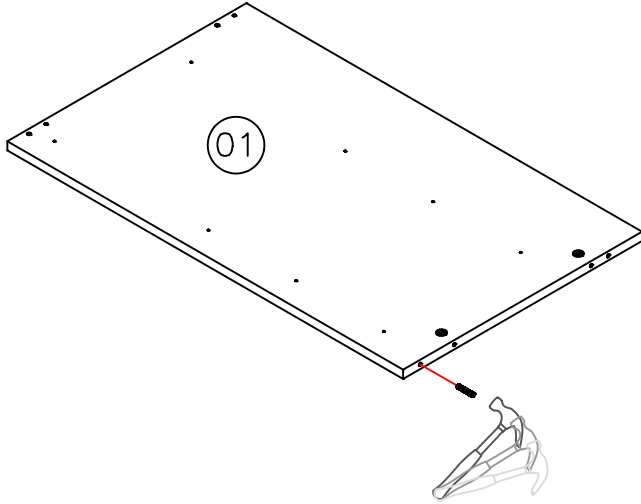
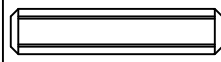


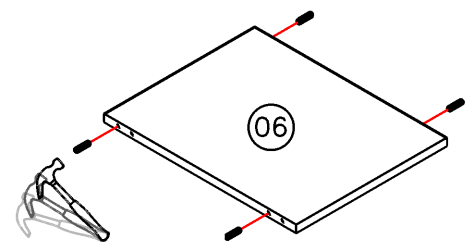
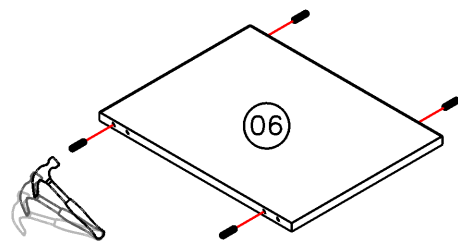
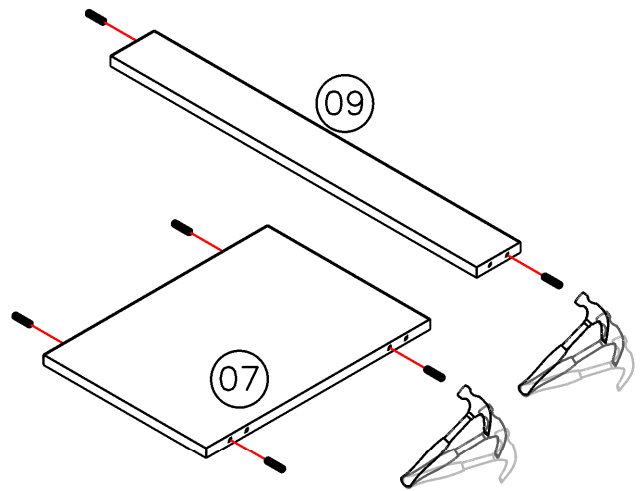
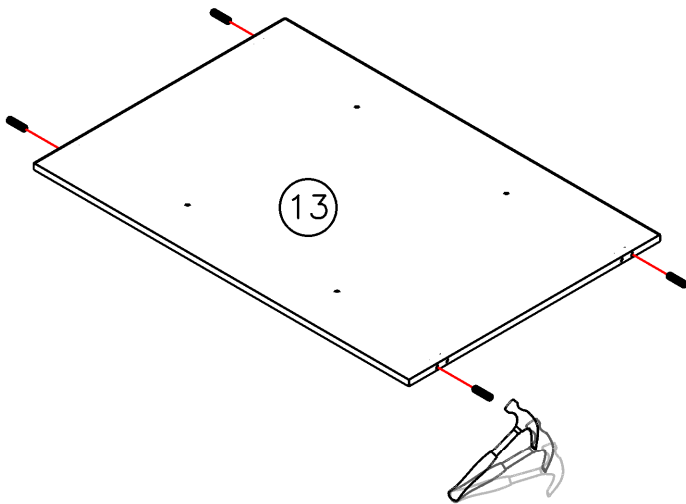
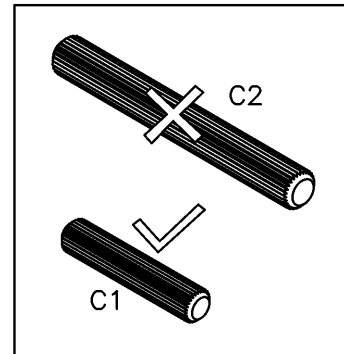
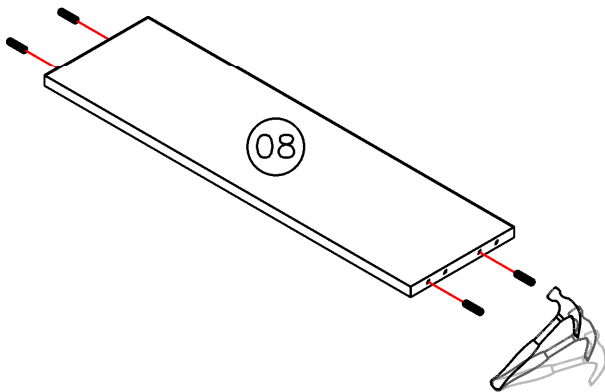
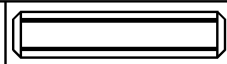
6

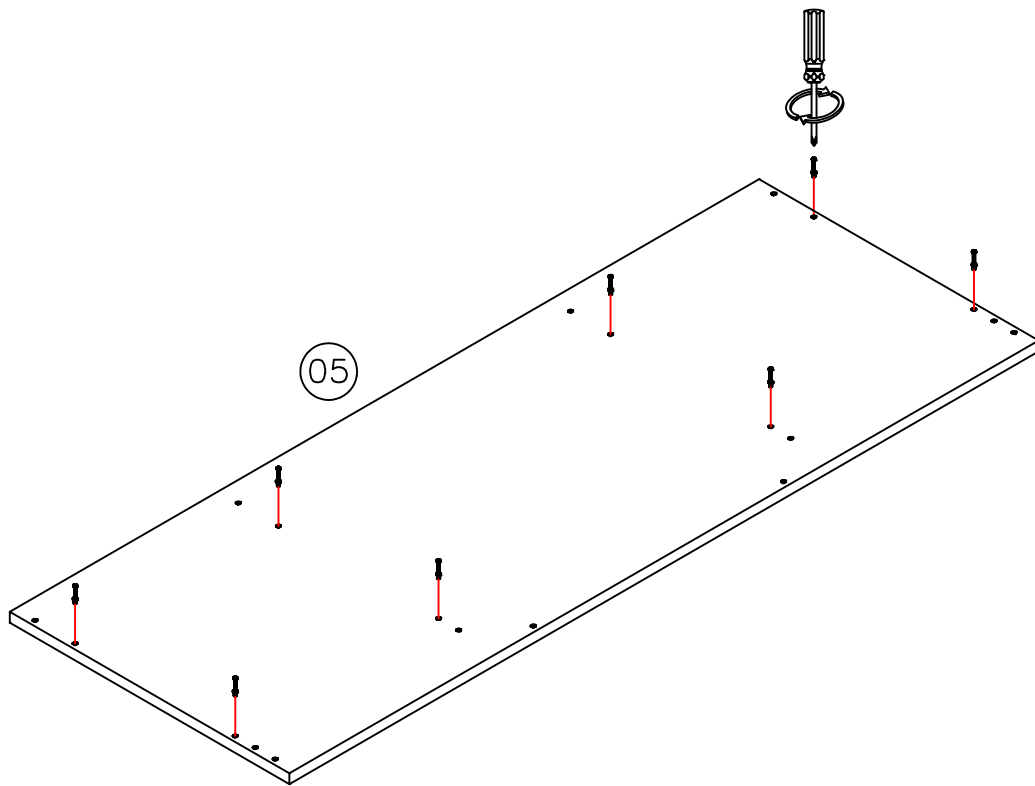
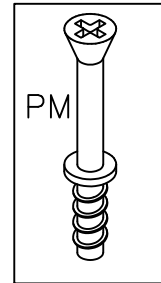
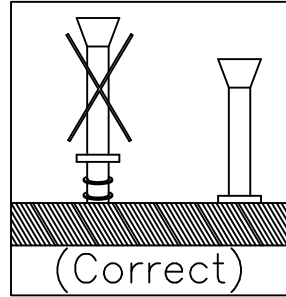
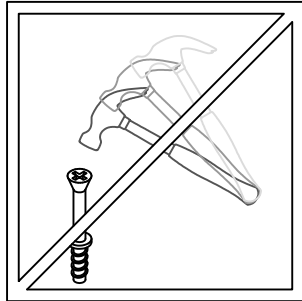
Drawer final assembly

PX		4
PF2		8



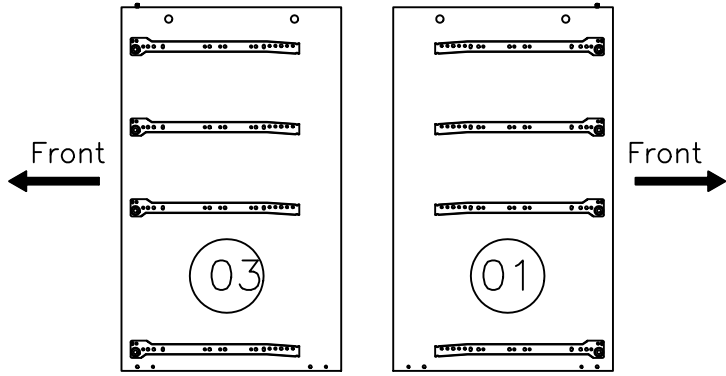






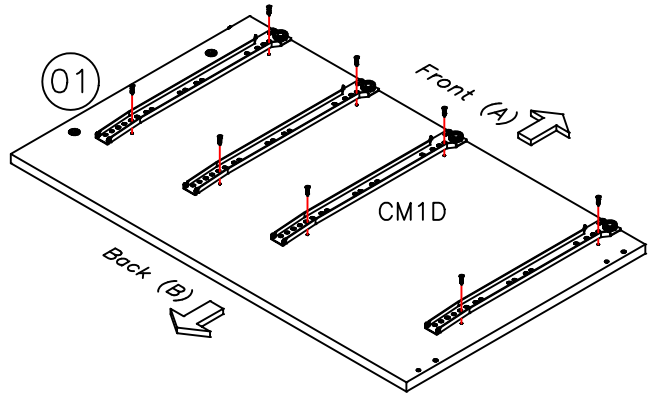
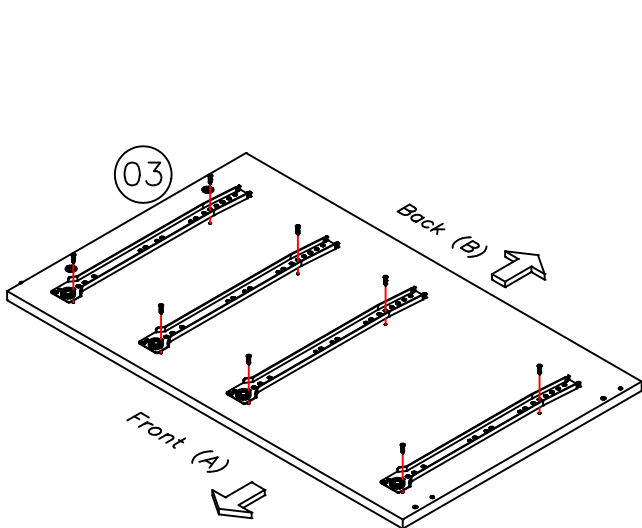
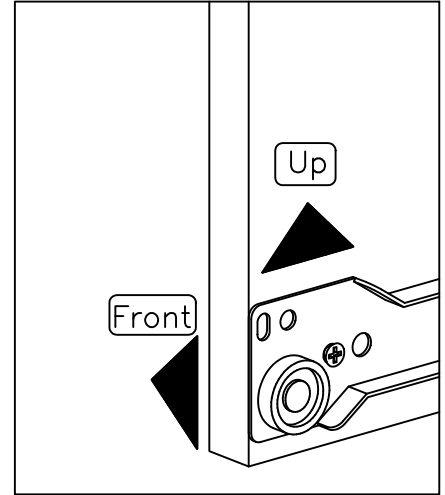
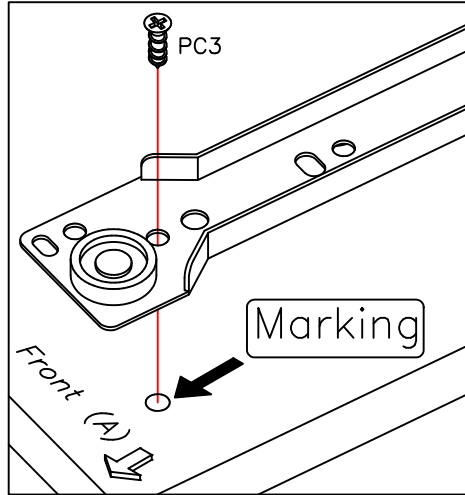
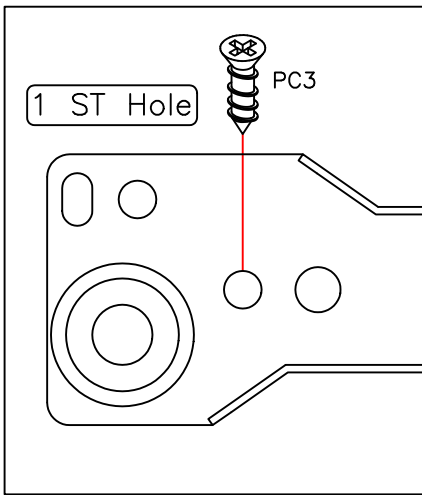
|



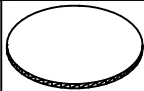
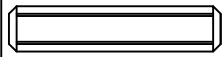
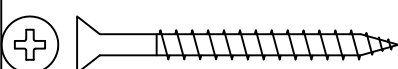
10

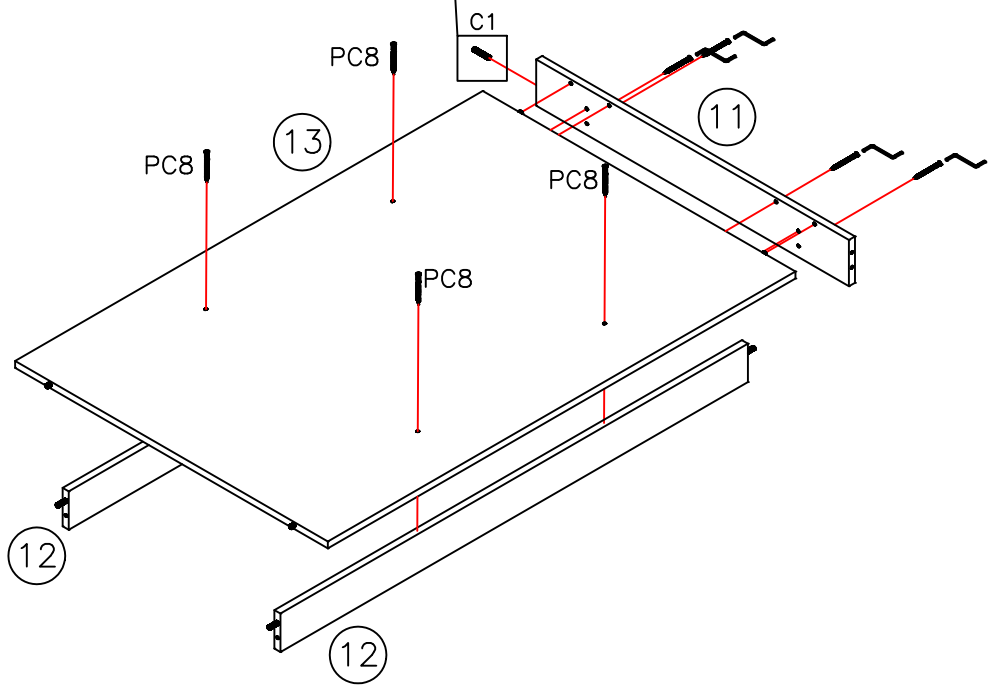
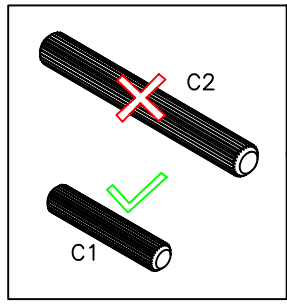


PC3		16
CM1C		4
CM1D		4


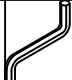
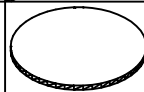

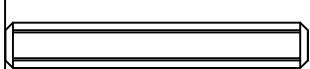
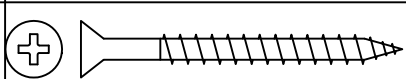
Detailed view of CORRECT hole location in the rail for the "PC3" Screw

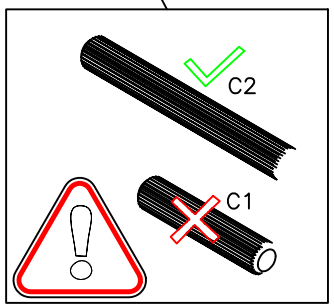
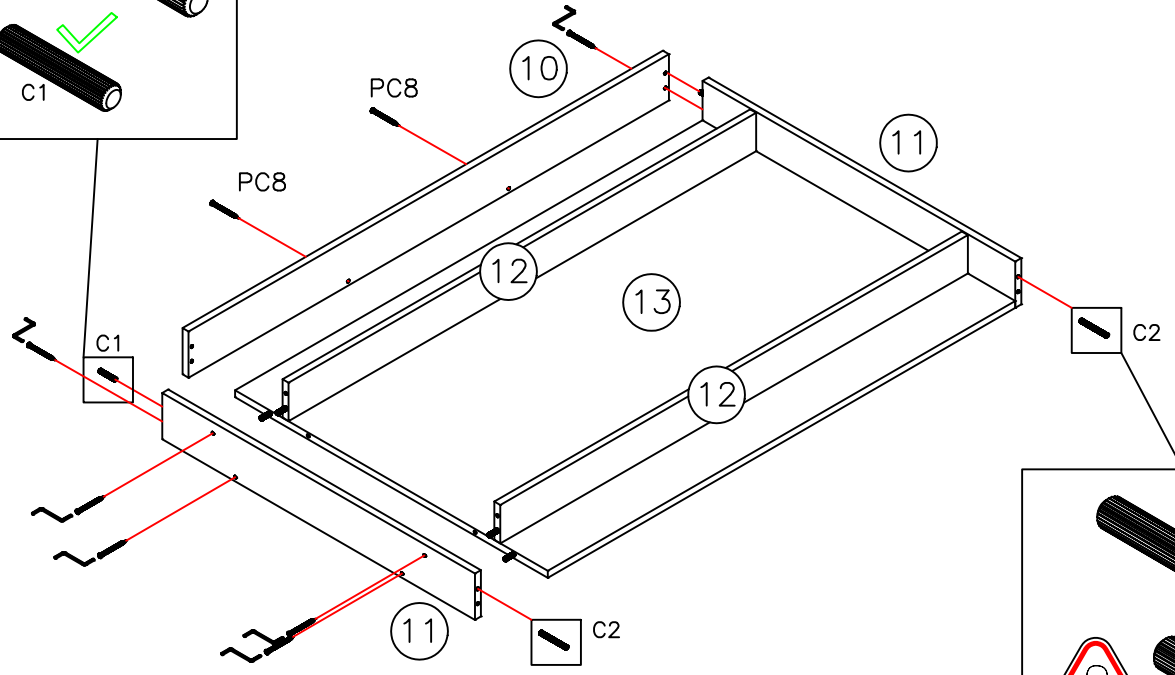
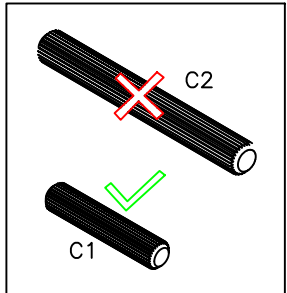


PE18		4
CZ3		1
TP2		8
C1		5
PC8		4



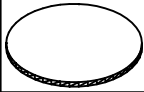
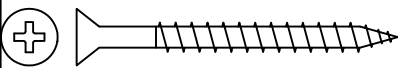


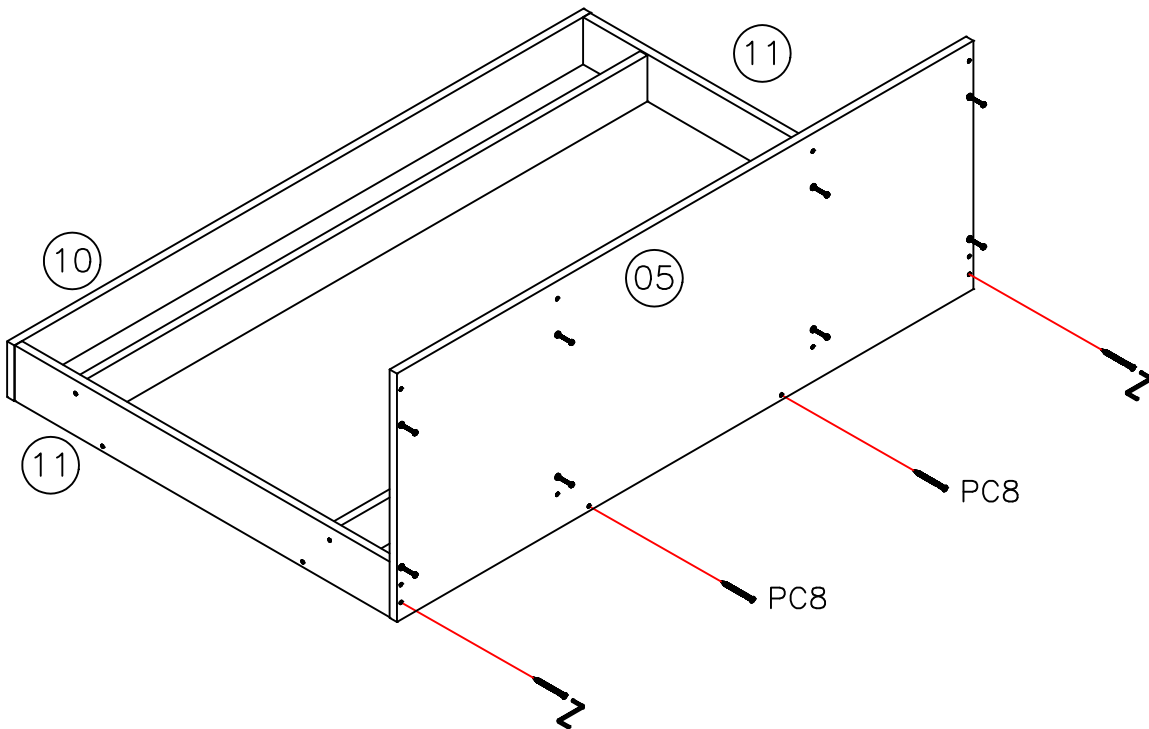
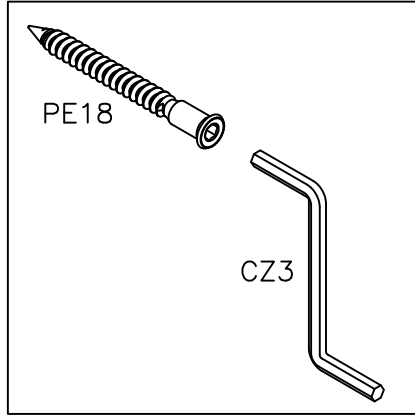
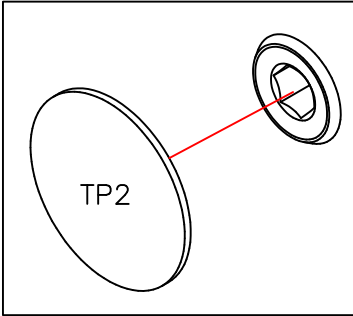
12

PE18		6
CZ3		1
TP2		8
C1		1
C2		2
PC8		2



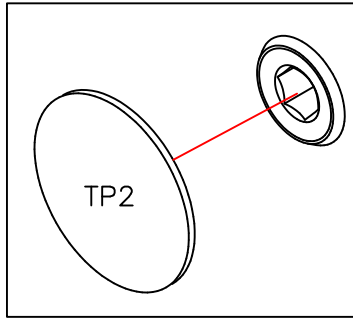
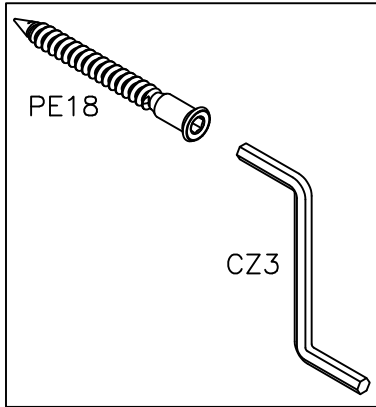
13

PE18		2
CZ3		1
TP2		4
PC8		2

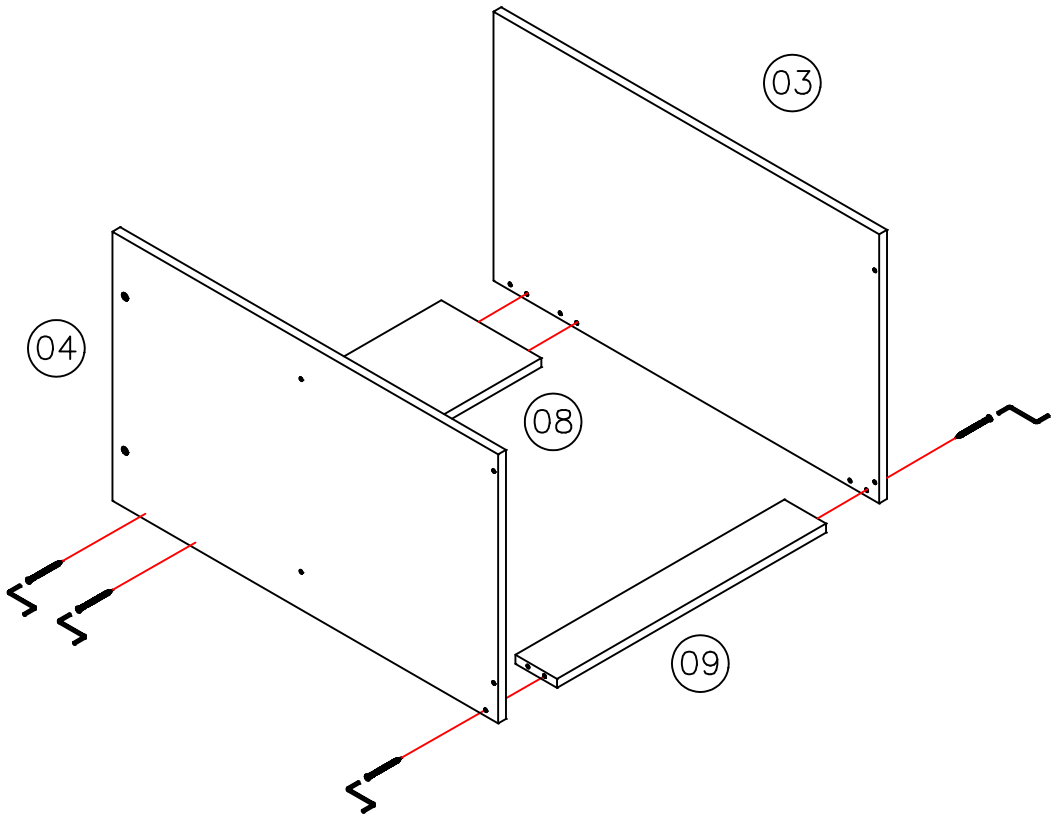


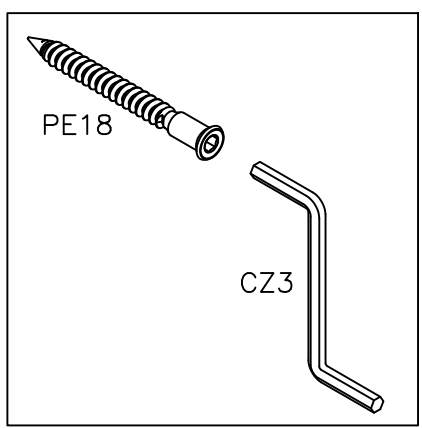
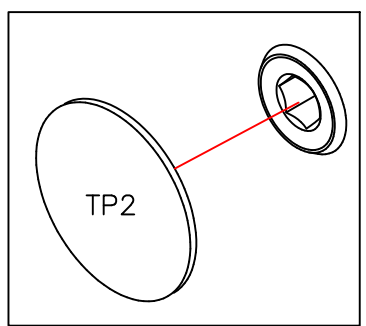
14

Product Assembly

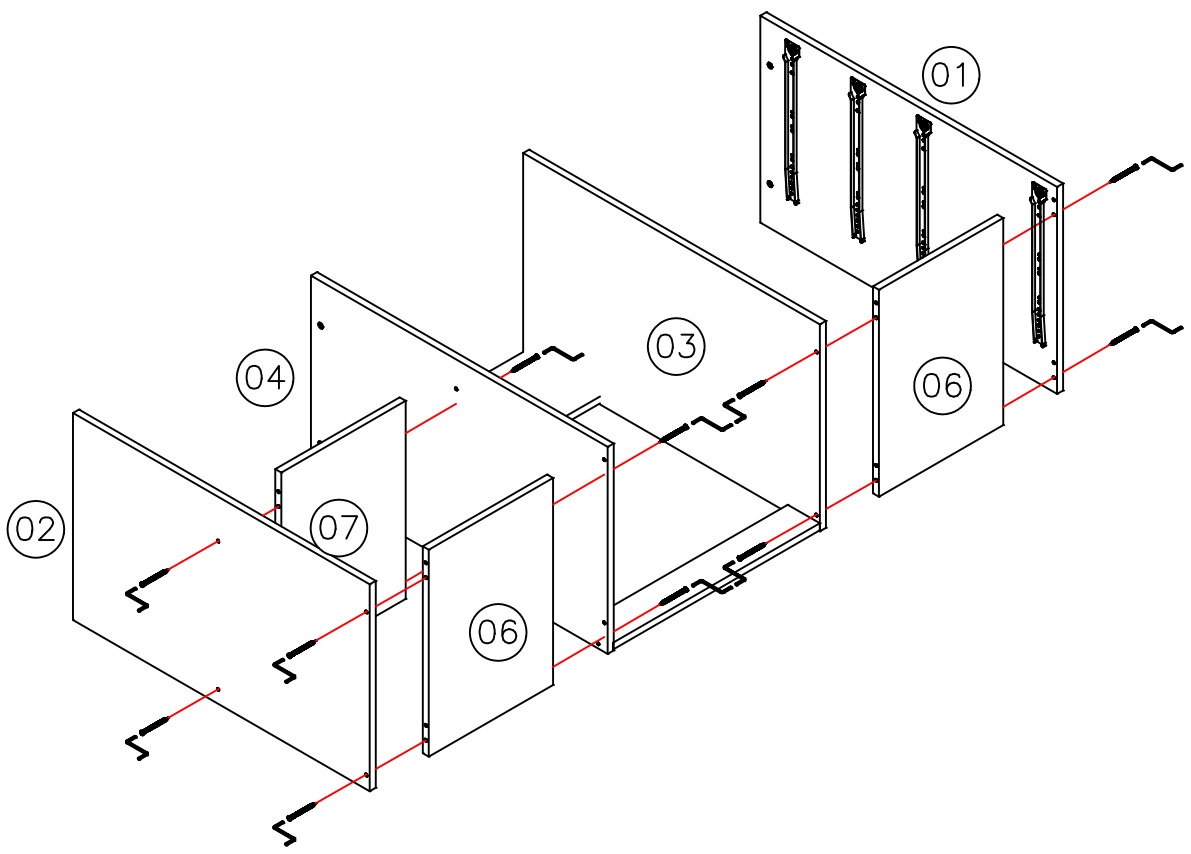


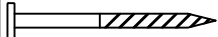
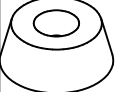
PE18		6
CZ3		1
TP2		6

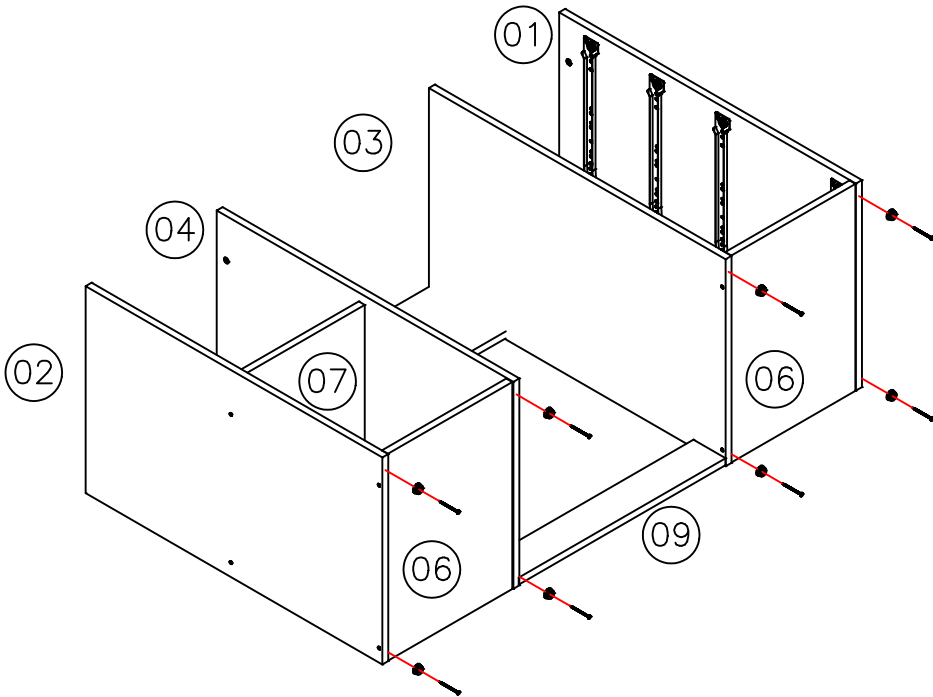
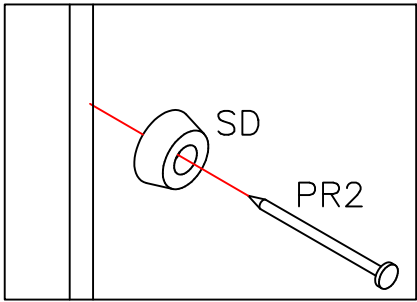




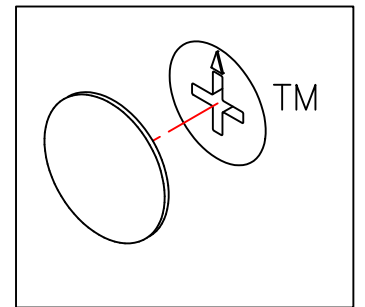
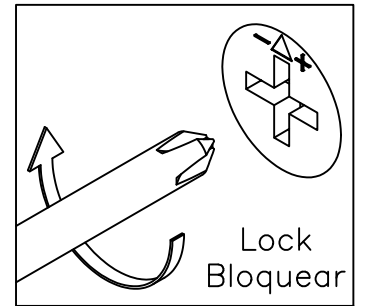
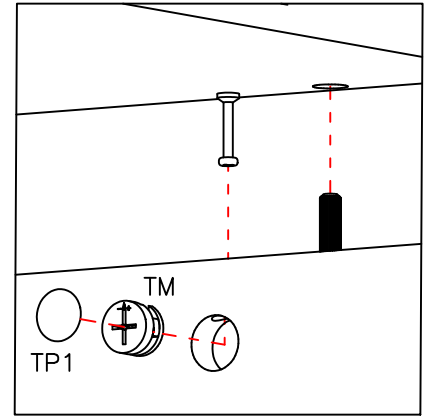
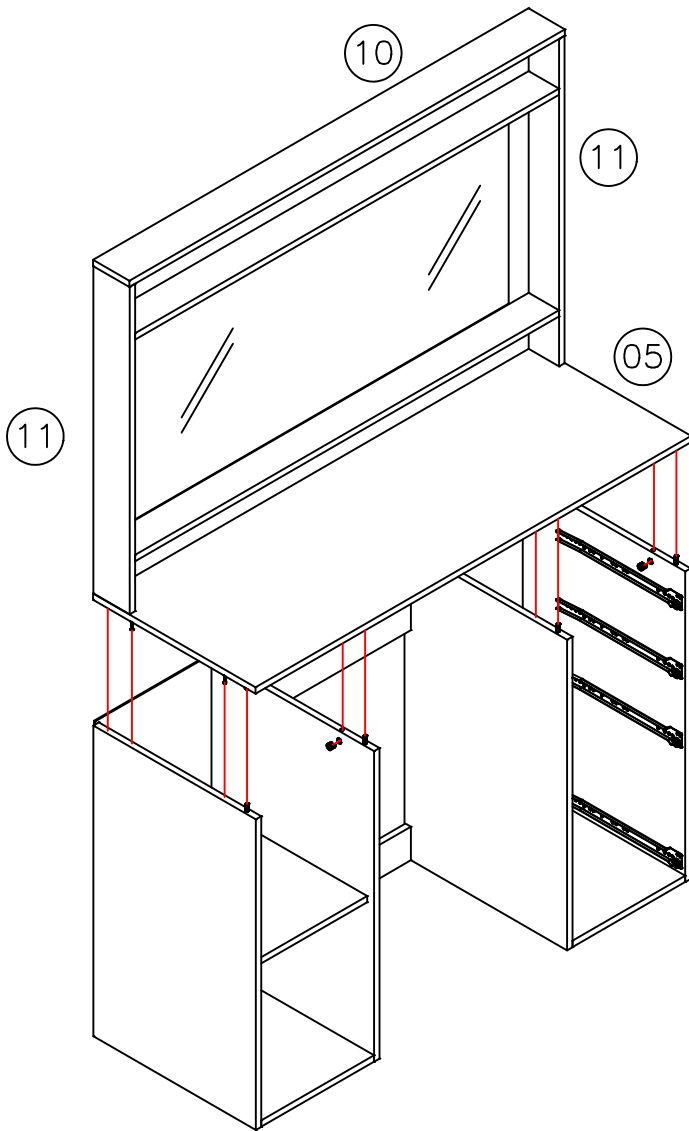
PE18		12
CZ3		1
TP2		12



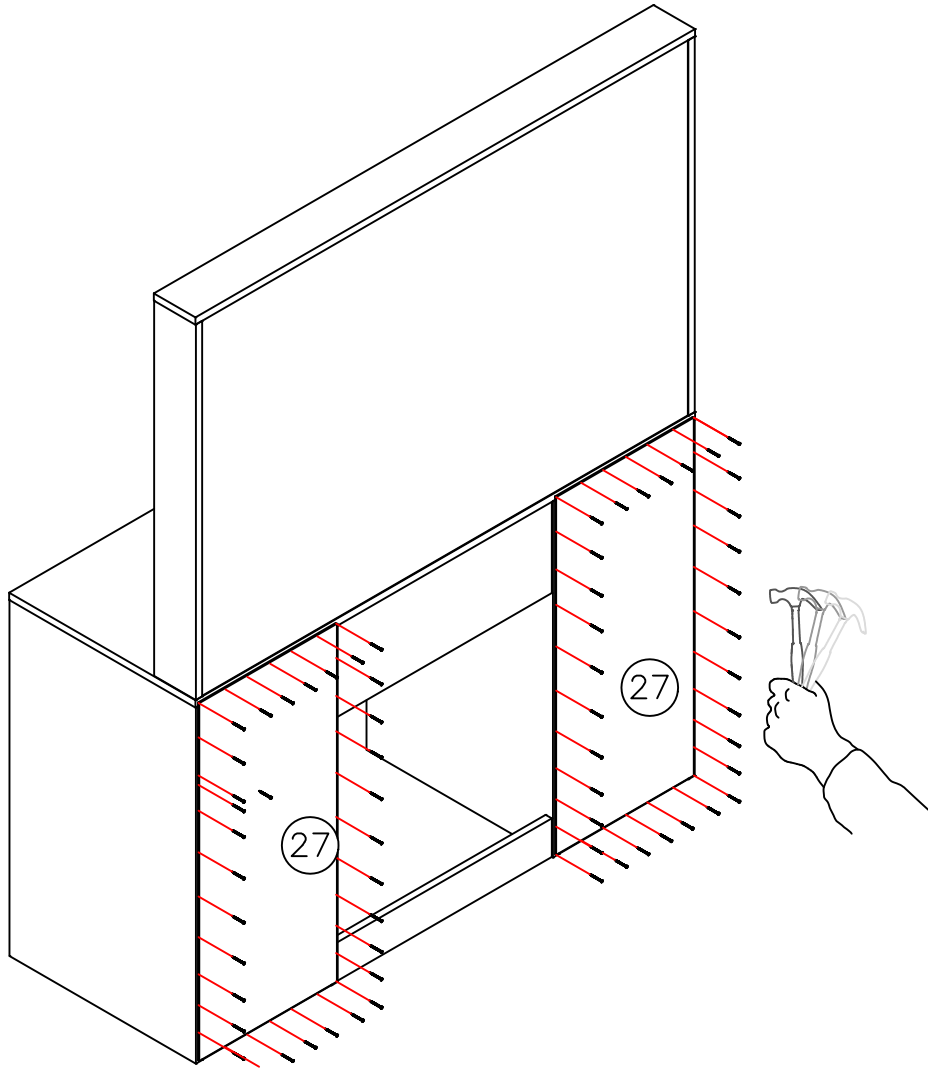
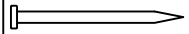
PR2		8
SD		8



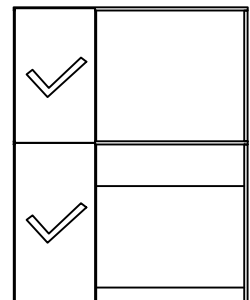
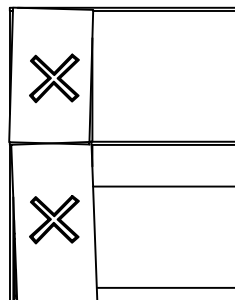
TM			8
TP1			8



Attention: Ensure that when nailing the back parts in place, that it is being nailed as straight as possible to the top and sides.
Failure to do so can make the drawers appear crooked.



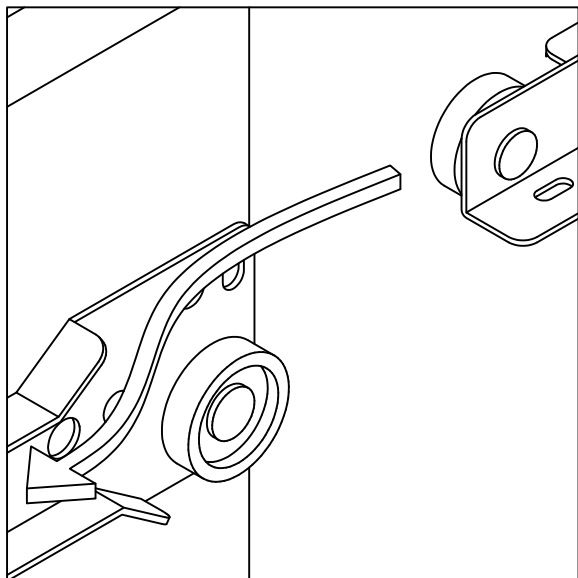
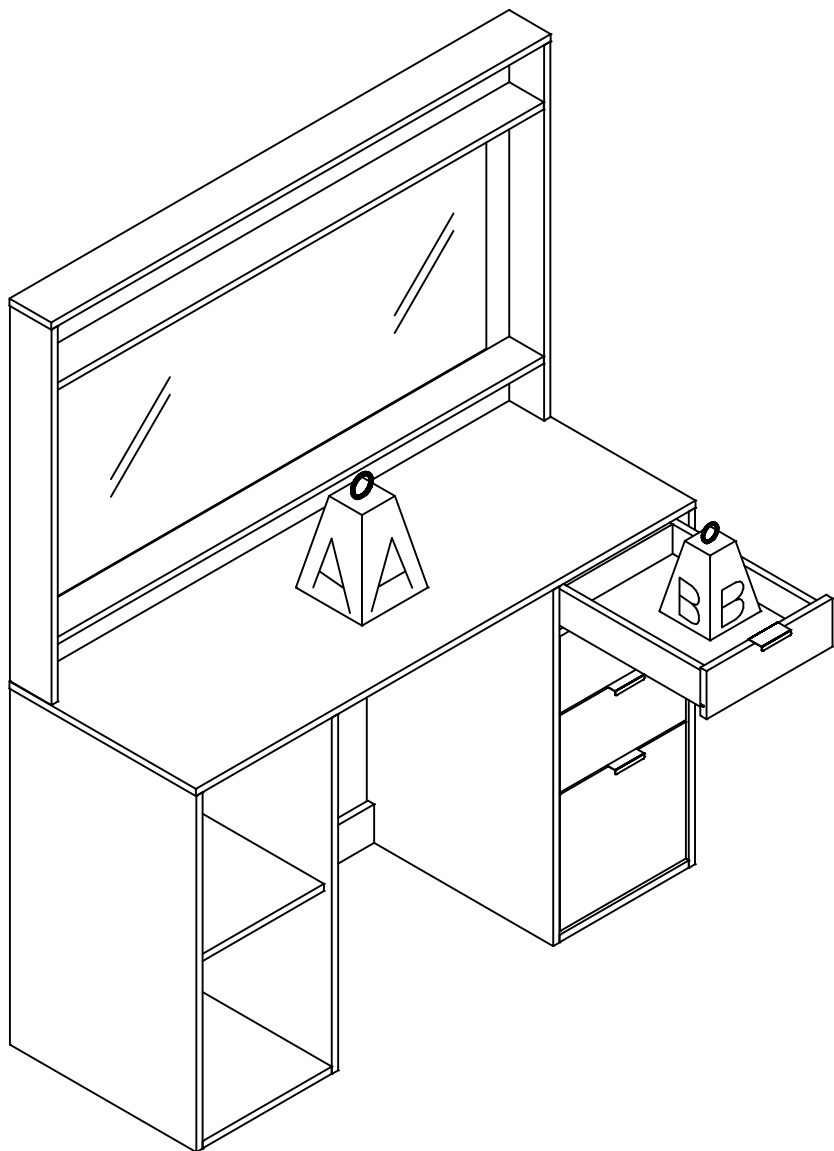
Note: It is essential to place the furniture strait/squared to avoid problems with the functioning and alignment of the Drawers and Doors.



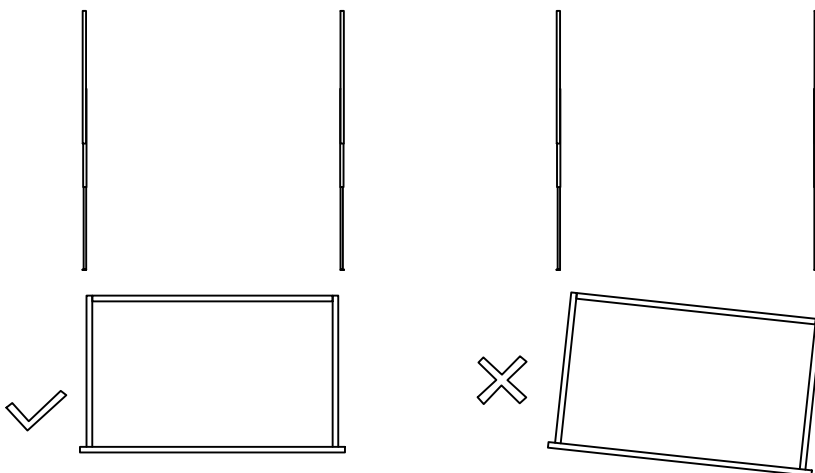


Drawer installation

Insert the slide into the profile and close the drawer to finish locking the clip.

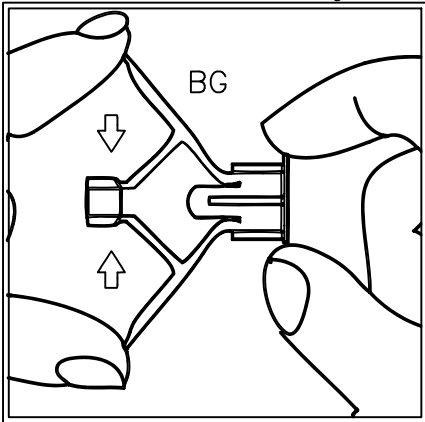


	Kg	lb
A	35	77.16lb
B	6	13.23lb

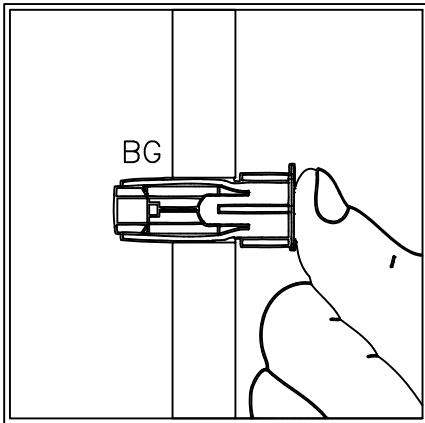


NOTE: Do not turn the DRYWALL ANCHOR into a wall stud. If you prefer to fasten the SAFETY ANTI-TIPPING to a wall stud, go to your local hardware store for proper hardware.

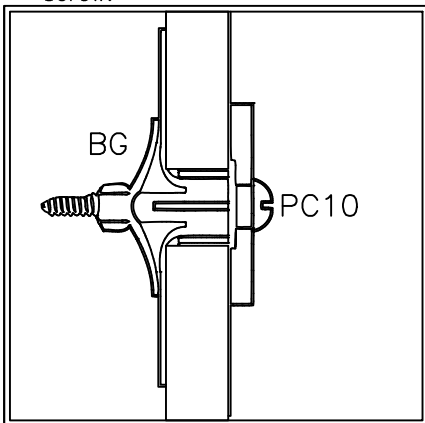
Compress the wings of anchor before inserting.



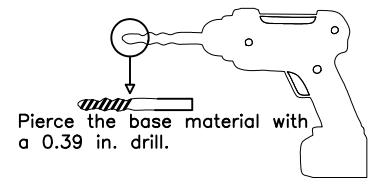
Insert the chuck into the hole of the base material.



Position the object over the bushing and secure it with a screw.



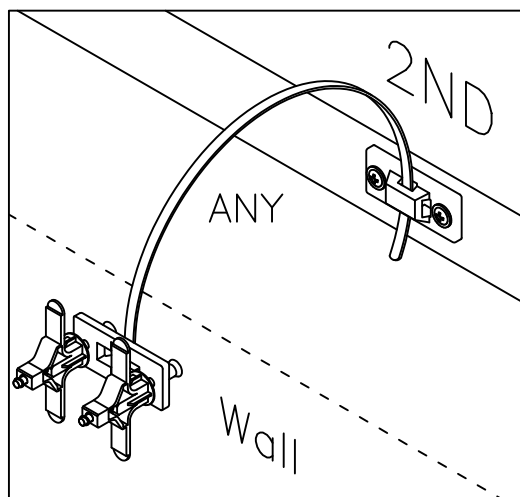
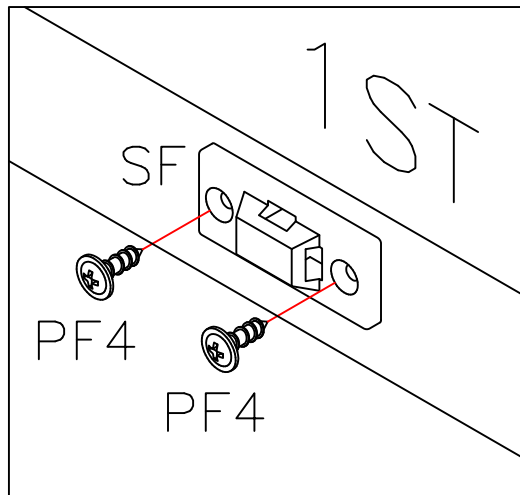
Anti-tipping installation			
SF		Mounting bracket	2
ANY		Clamp	1
PC10		Screw 4,5x50	2
PF4		Screw 3,5x16 BC	2
BG		Anchor	2



Pierce the base material with a 0.39 in. drill.

Important

- The minimum length of the screw must be the bushing length + object thickness that will be fixed.
- To guarantee the wing expansion function of the bushing, after the screw head is at the object to be fixed, one must continue to rotate the screw until maximum torque is reached.



A WARNING -Anti-Tip Advisory

Potential of serious fatal crushing injuries may occur from furniture tip-over. To help prevent tip-over:

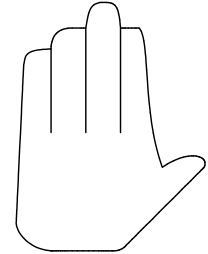
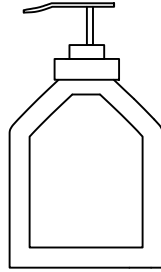
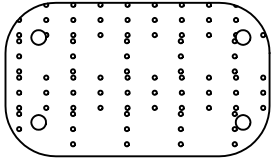
ALWAYS INSTALL the tip-over restrain that came with your furniture. This tip-over restrains only reduces but does NOT completely eliminate the risk of tip-over

- ALWAYS Place the heaviest items in the lowest/bottom drawer.
- NEVER place heavy objects on top of this product.
- NEVER allow children to scale/climb/hang on the drawers, doors, or shelves.
- NEVER open more than one drawer at a time.

B ADVERTENCIA - Aviso antivuelco

Pueden producirse lesiones graves por aplastamiento mortales debido al vuelco de los muebles. Para ayudar a prevenir vuelcos:

- SIEMPRE INSTALE el sistema de retención que viene con sus muebles. Este sistema antivuelco solo reduce pero NO elimina por completo el riesgo de vuelco.
- SIEMPRE coloque los artículos más pesados en el cajón más bajo /inferior.
- NUNCA coloque objetos pesados encima de este producto.
- NUNCA permita que los niños escalen, trepen o se cuelguen de los cajones puertas o estantes
- NUNCA abra más de un cajón a la vez



To Remove the printed number, apply a small amount of Glass Cleaner or Hand sanitizer and wipe with a paper towel.

