
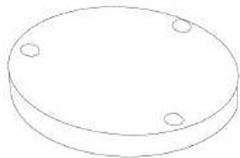







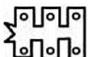

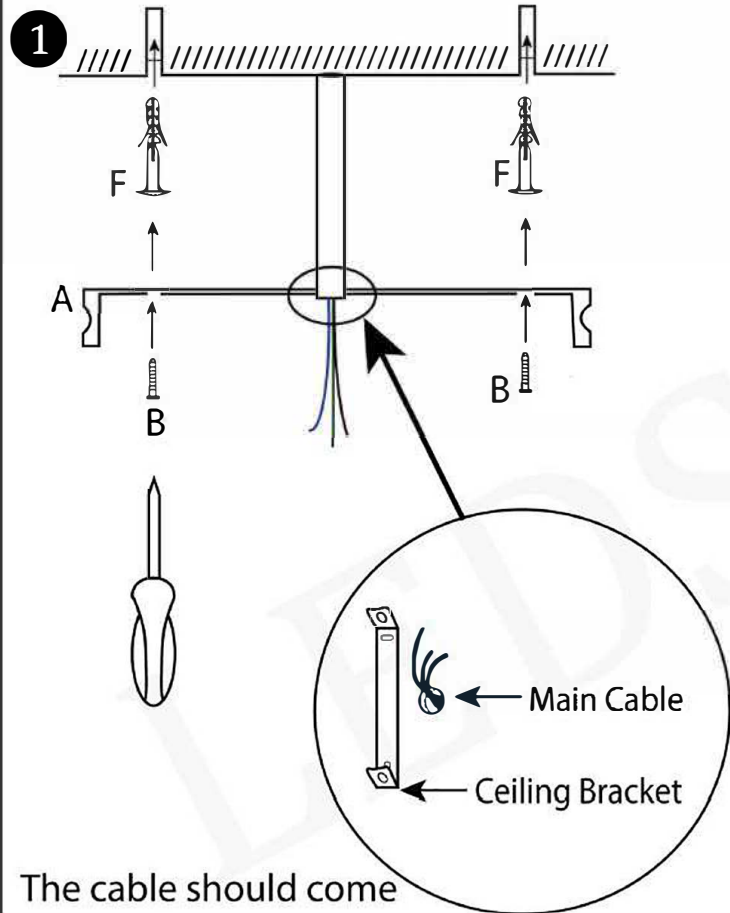


VINTAGE METAL PENDANT ASSEMBLING INSTRUCTION

	<p>G  1X Ceiling Rose</p> <p>H  3 X Lamp Shade</p> <p>I  3 X Holder With Cable</p>	
A		1
B		2
C1		3
C2		3
D		2
E		1
F		2

VINTAGE METAL PENDANT ASSEMBLING INSTRUCTION



The cable should come next to the bracket

