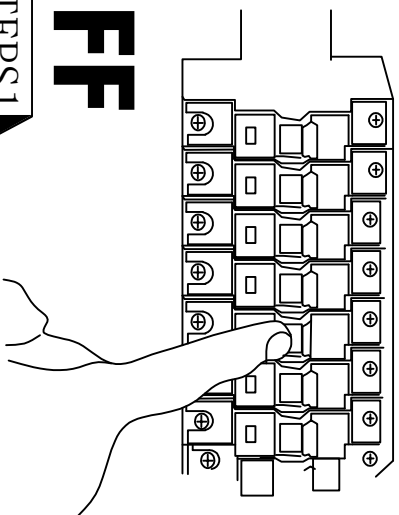


# Installation sequence

1

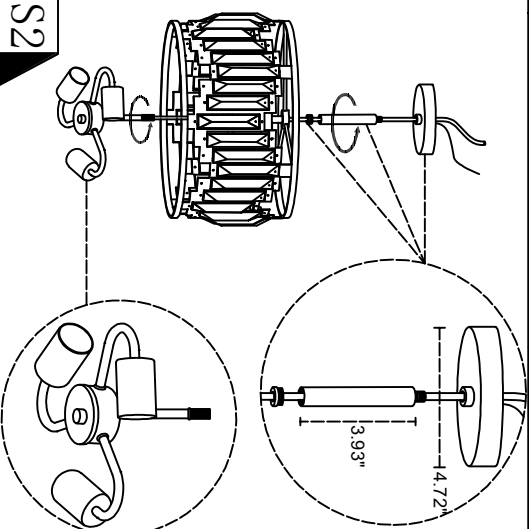


# OFF

## STEPS1

Turn off the power

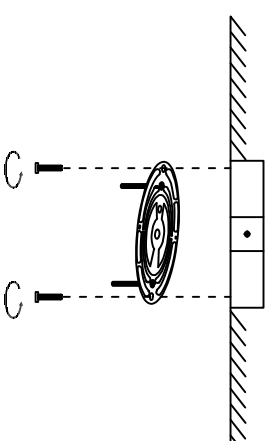
2



## STEPS2

Assemble the connecting tube, base, and lamp body

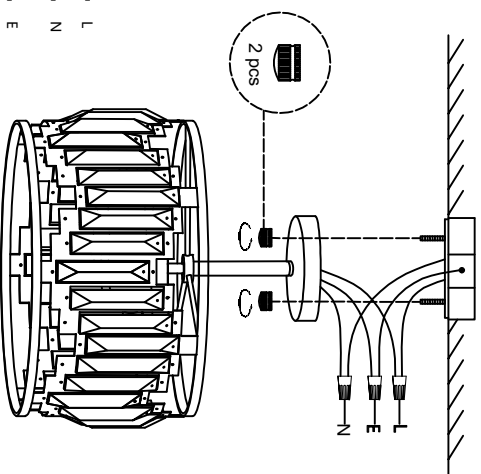
3



## STEPS3

Install lamp hanging plate

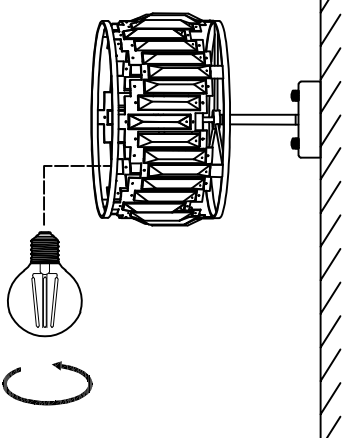
4



## STEPS4

1. Connect the power cord of the lamp body to the reserved Power cord, pay attention to the positive and negative poles (positive to positive, negative to negative, and ground to ground)  
2. Turn on the power and check if the light doesn't work, if the light doesn't work, please contact customer service.

5

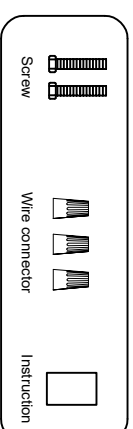


## STEPS5

Screw on the bulb and complete the installation

## Note:

1. Voltage: 120V-60Hz
2. Bulb Type: E26 / MAX-40W
3. Before installation, please cut off the power supply to prevent electric shock.
4. Please be sure the installation step according to the company's instructions.



Screw

Wire connector

Instruction

Before installation, please check whether the accessories are complete. If you have any problem, please contact our customer service in time.