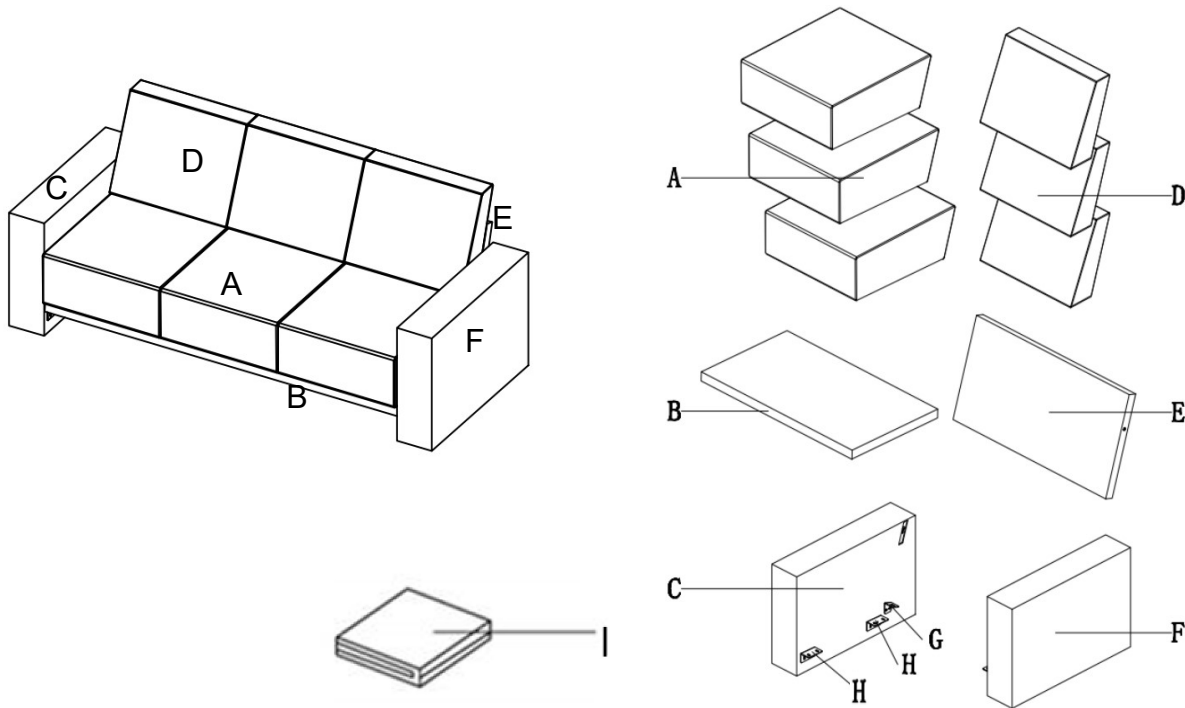


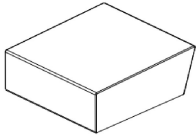
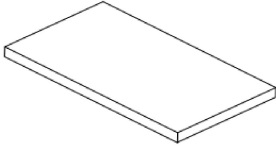
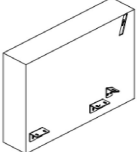
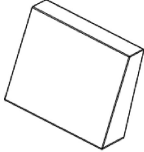
Assembly Instructions

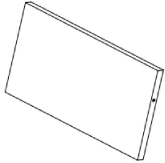
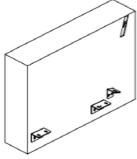







Caution : Must read this before you proceed

Three Seat Outdoor Sofa



Part List

Label	Picture	Description	QTY
A		Seat Cushion (packed individually) EEI-3565-BEI-2	3
B		Seat Part	1
C	 (Left)	Armrest	1
D		Back Cushion (packed individually) EEI-3565-BEI-2	3

E		Back Part	1
F	 (Right)	Armrest	1
G		L Plate (G)	2
H		L Plate (H)	4
I		Protective Cover	1
Hardware			
Label	Picture	Description	QTY
1		M6 * 20 Screw	22
2		M6 * 25 Screw	2
3		M6 Flat Washer	22
4		Allen Key	1

Assembly Preparation

Before
Beginning
Assembly:

*Before beginning assembly of product, make sure all parts are present. Compare parts with package contents list. If any parts is missing or damaged, do not attempt to assemble the product.



- Read instructions step to step-



- Have 2 adults for assembly-



- Do not assemble on flooring or carpet-



- Assemble on a clean non-marring surface (packing foam)-



- Save all packaging until finished-

Assembly Steps

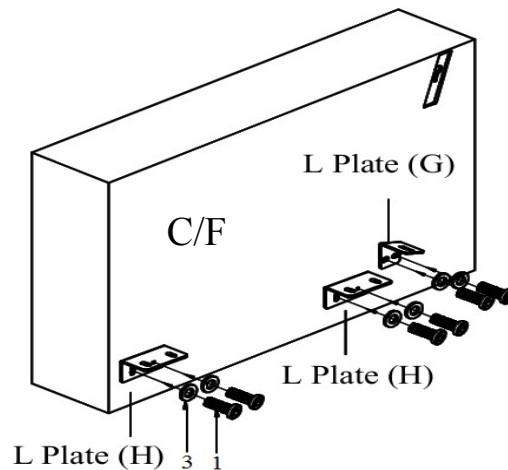
Step 1

Hardware Used

1: M6*20 Screw  ×12

3: M6 Flat Washer  ×12

4: Allen Key  ×1



Attach the L Plate (Hand G) onto each Armrest (C and F) by using 6pcs of M6*20 Screw(1) and M6 Flat Washer(3). Tighten all screws with Allen Key(4). Repeat on the other Armrest(F)

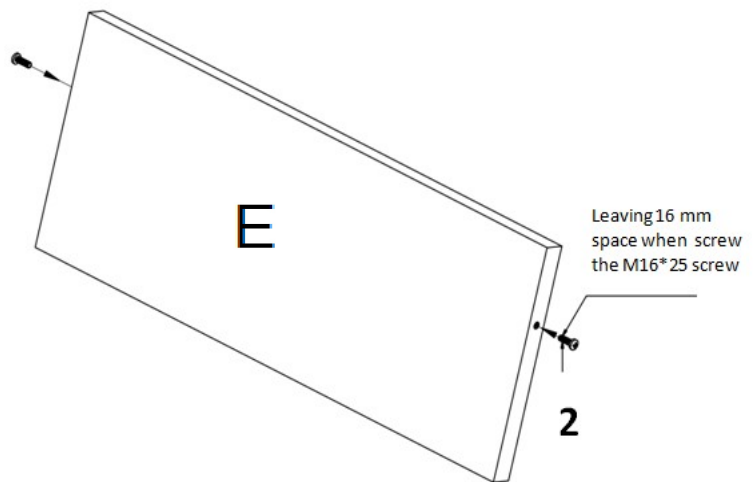
Assembly Steps

Step 2

Hardware Used

2: M6*25 Screw  ×2

4: Allen Key  ×1

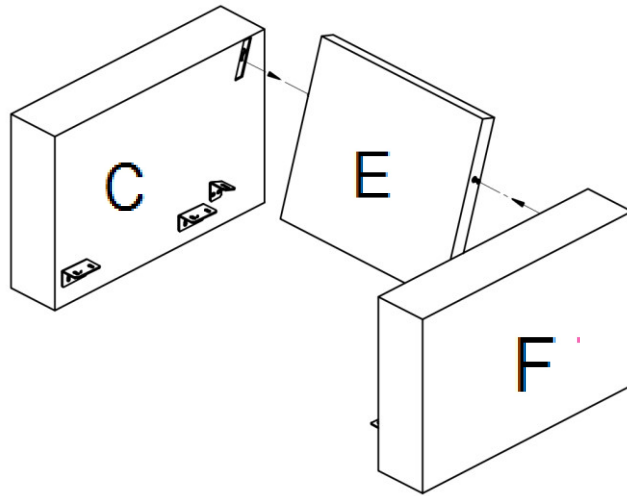


Screw the M6*25 Screw onto the Back Part(E). Be sure not over-tighten. Need to leave 16mm exposed length on the M6*25 Screw after screwing.

Assembly Steps

Step 3

Hardware Used



Joining the Back Part(E) with the Armrest(C and F) by inserting the exposed M6 Screw on the Back Part into the hole on each Armrest.

Assembly Steps

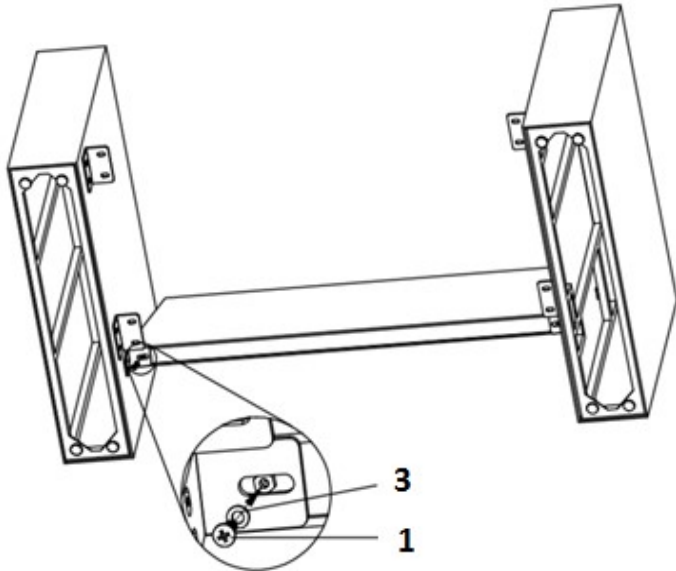
Step 4

Hardware Used

1: M6*20 Screw  ×2

3: M6 Flat Washer  ×2

4: Allen key  ×1




Put the M6*20 Screw(1) and M6 Flat Washer(3) on the L Plate(H and G) on the Armrest. Tighten all screws with Allen Key(4).

Assembly Steps

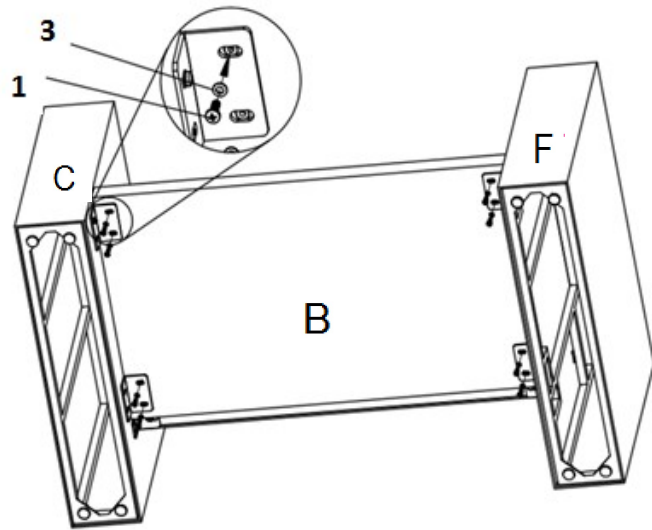
Step 5

Hardware Used

1: M6*20 Screw  ×8

3: M6 Flat Washer  ×8

4: Allen Key  ×1

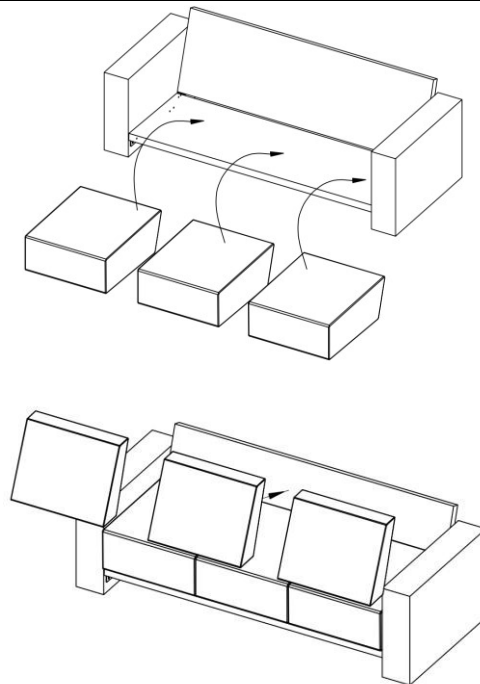


Attach the Seat Part(B) by using 8 pcs of M6*20 Screws(1) and 8 pcs of M6 Flat Washer(2) as picture. Tighten all screws with Allen Key(4).

Assembly Steps

Step 6

Hardware Used



Put the Back Cushion(D) and Seat Cushion(A) onto the sofa.

Care & Maintenance



- Do not put hot items directly on furniture surface.



- Do not clean furniture with harsh cleansers or polish.



- To obtain the longest lifespan of your outdoor products, minimizing exposure to direct sunlight is recommended.



- Children should not climb or jump on the furniture.



- Do not write on furniture without a padded barrier to protect the surface.



- To obtain the longest lifespan of your outdoor products, avoid extended and lengthy exposure to rain, snow, and direct sunshine. Whenever possible, cover the product and /or place under patio or awnings.



- Not for commercial use. For residential use only .



- Stains may be removed with mild soap solution and damp cloth.



- Dust and pick-up spills using a clean, non-colored, lint-free cloth .



- Always place the protective cover on sofa when not in use .