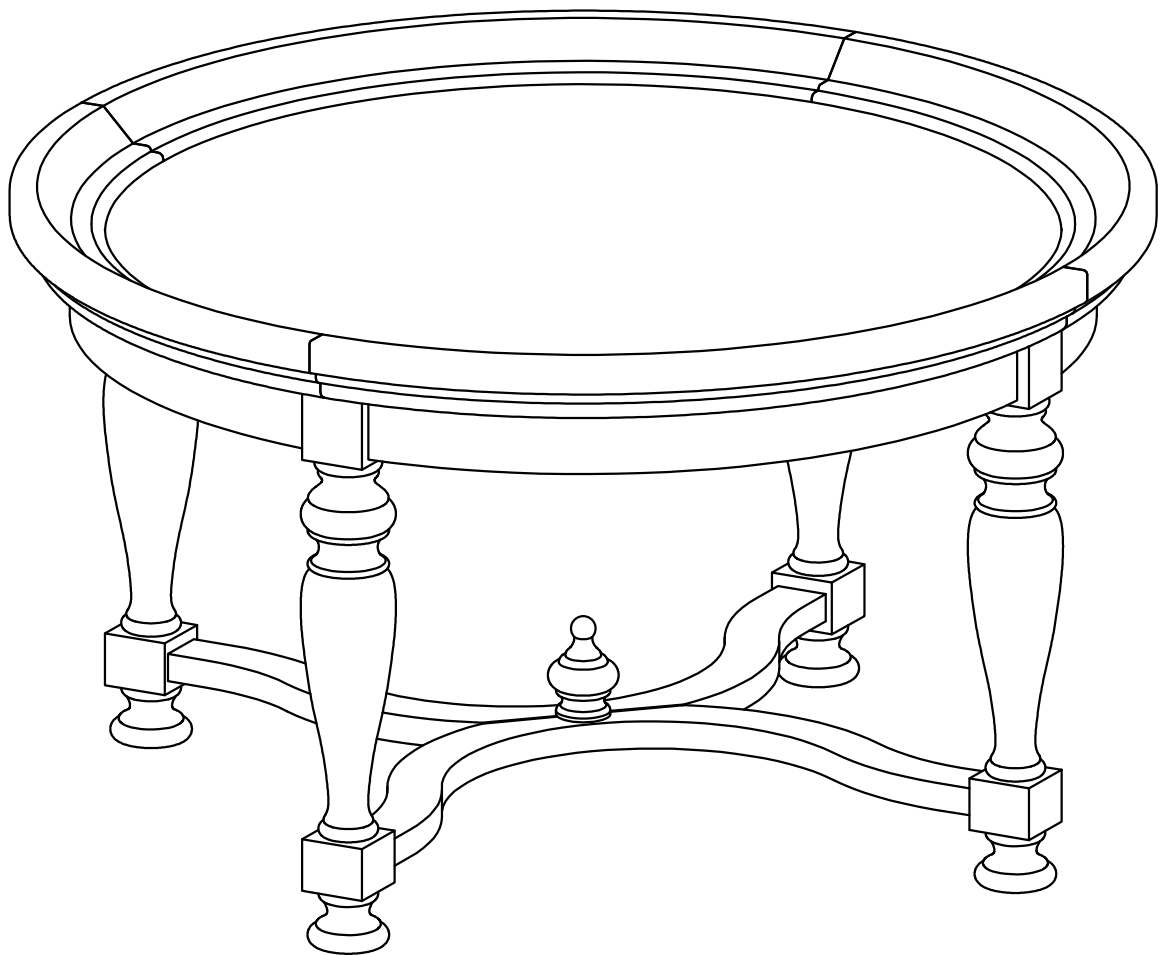


**ASSEMBLY INSTRUCTIONS**

**ROUND COFFEE TABLE**



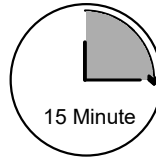
# ROUND COFFEE TABLE

## ASSEMBLY INSTRUCTIONS

Please kindly read these instructions carefully and keep for future reference. Refer to parts inventory for guidance, and ensure you have all pieces before starting.

When assembling, place all parts on a soft, clean, and flat surface such as a carpet to prevent scratches.

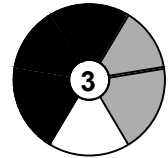
If you're having difficulty, our friendly Customer Care team is always here to help.



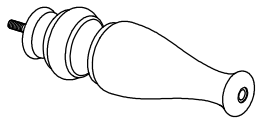
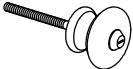

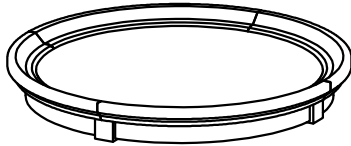
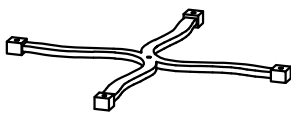
TIME



# OF PEOPLE



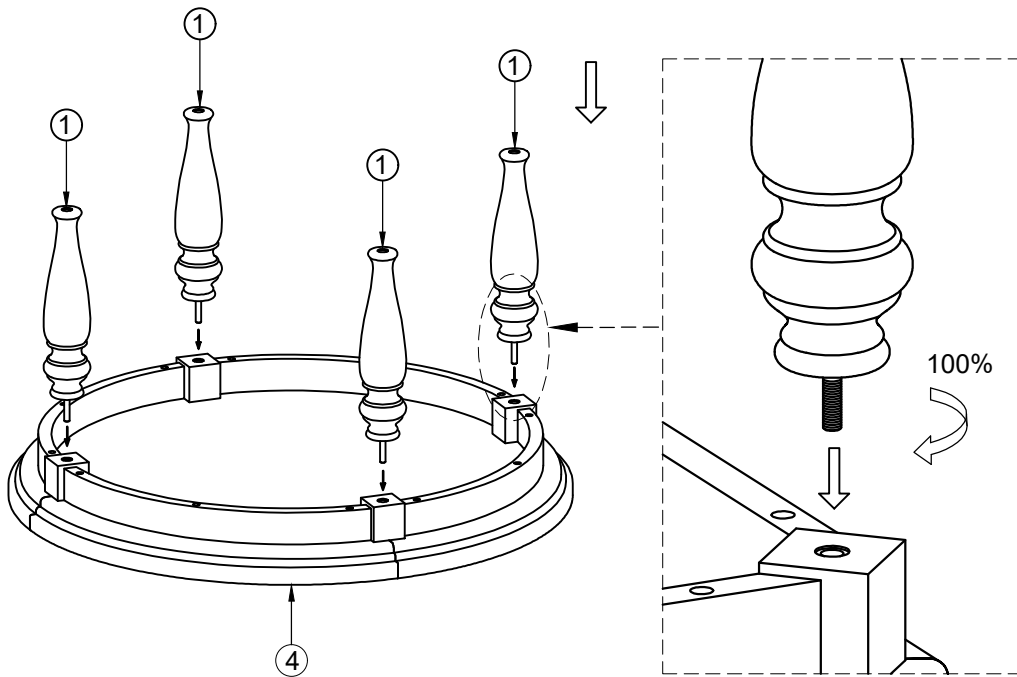
DIFFICULTY

CODE	PART LIST	Q'TY
①	LEGS 	4 PCS
②	FOOT BASE 	4 PCS
③	FOOT DECORATION 	1 PC
④	TOP 	1 PC
⑤	STOCK 	1 PC

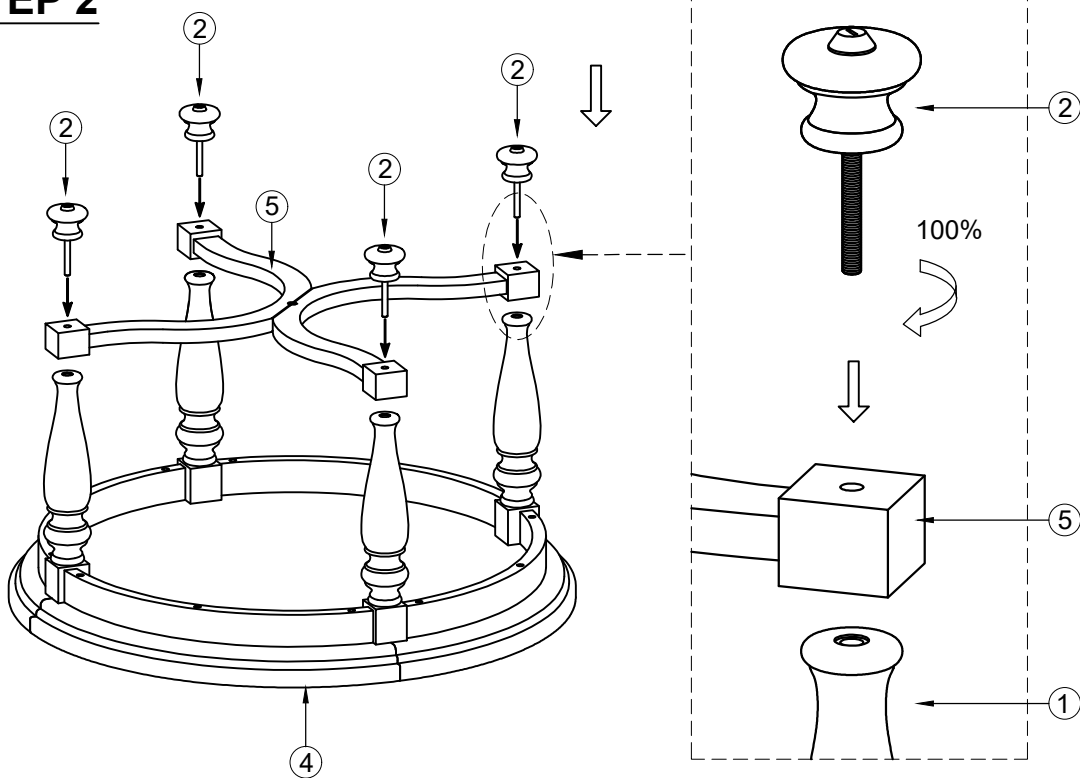
Note: Make sure you have all the parts and hardware with quantity listed above before assembling the product. A screwdriver is also required (not included)

# ROUND COFFEE TABLE

## STEP 1

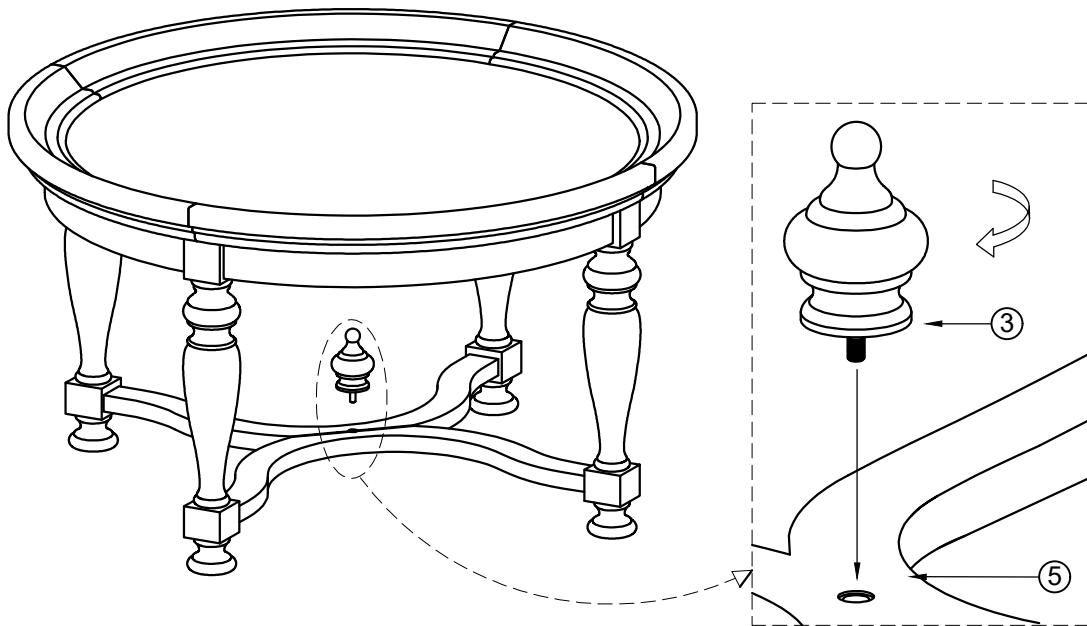


## STEP 2



# ROUND COFFEE TABLE

## STEP 3



## STEP 4 & FINISH

