







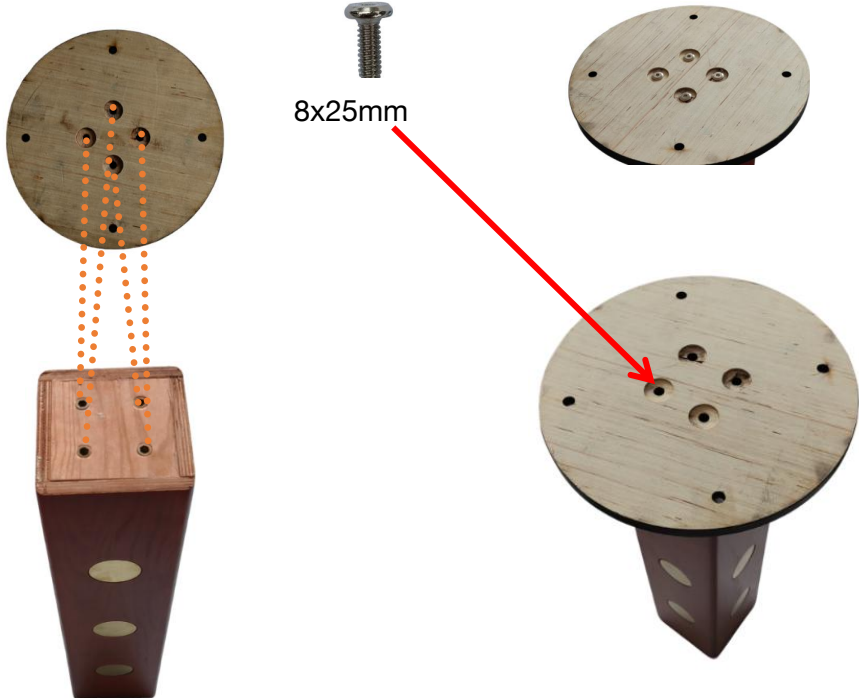


# Installation

Hardware List		Hardware List	
 Table top	1	 Table pillar	1
 Table bottom board	1	 Desktop connection board	1
 8x25mm screw	8	 8x30mm screw	4
 Washer	4	 Hexagonal screw tap	1

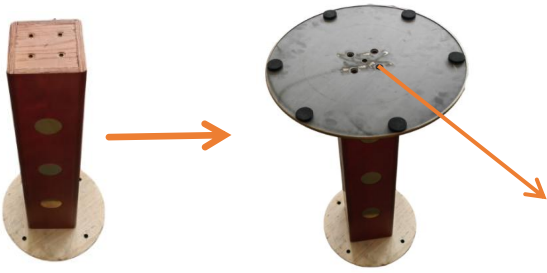
1



8x25mm

The desktop connection board is tightened with 8\*25

2

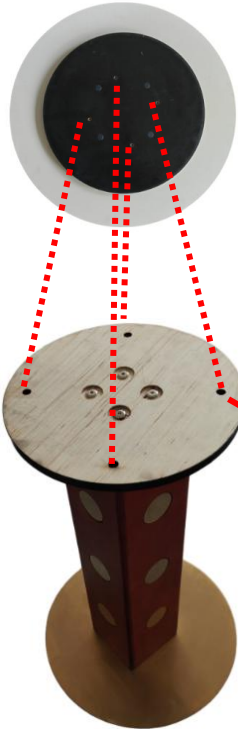


Then tighten the bottom board of the table with 8\*25 screws, and the table base is installed.



8x25mm screw

3



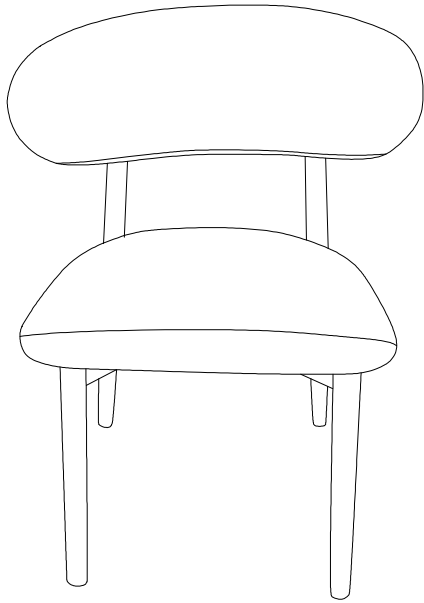
8x30mm

Put the table top on the table leg, make sure the reserved screw holes of the table top and the frame are corresponding, tighten 8x30mm screws to finish the installation.

8\*25 screws are needed to install the glass desktop, and screws should be matched according to the desktop.



# MH-DC1

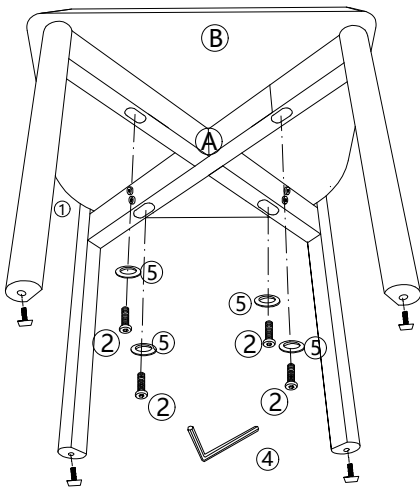


## Notice:

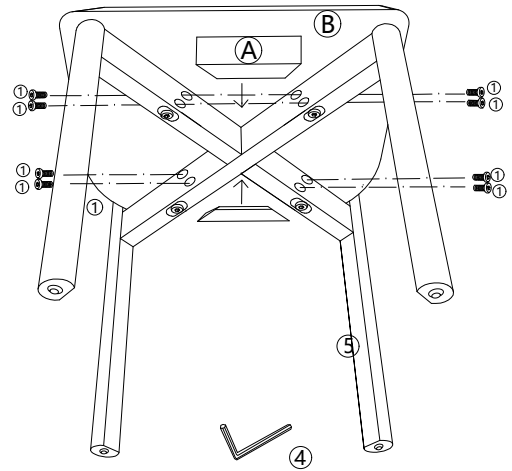
1. Follow the installation instructions. Please confirm all accessories are preset before installation.
2. Do not fully tighten the screws during initial assembly. Fully tighten screws only once all pieces which are correctly assembled.
3. If you encounter any problems during installation, please contact our customer service.

	Reference Image	Qty
(A)		x1
(B)		x1
(C)		x1

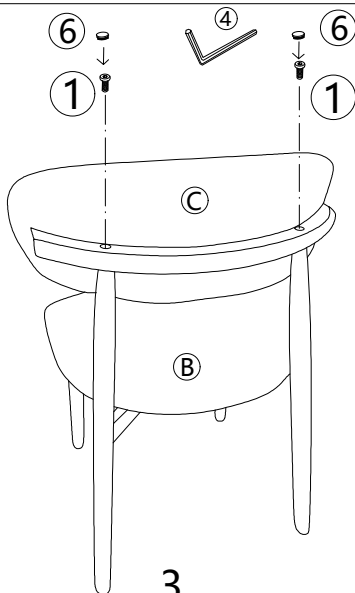
	Reference Image	Qty
(1)		x10
(2)		x5
(3)		x4
(4)		x1
(5)		x4
(6)		x2



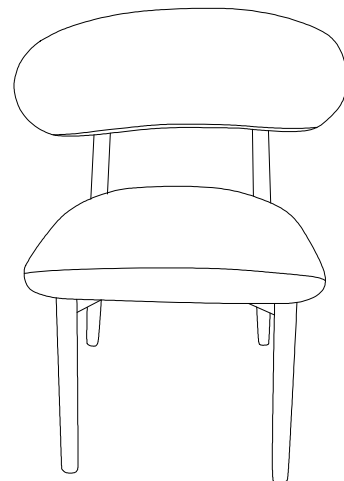
1



2



3



4