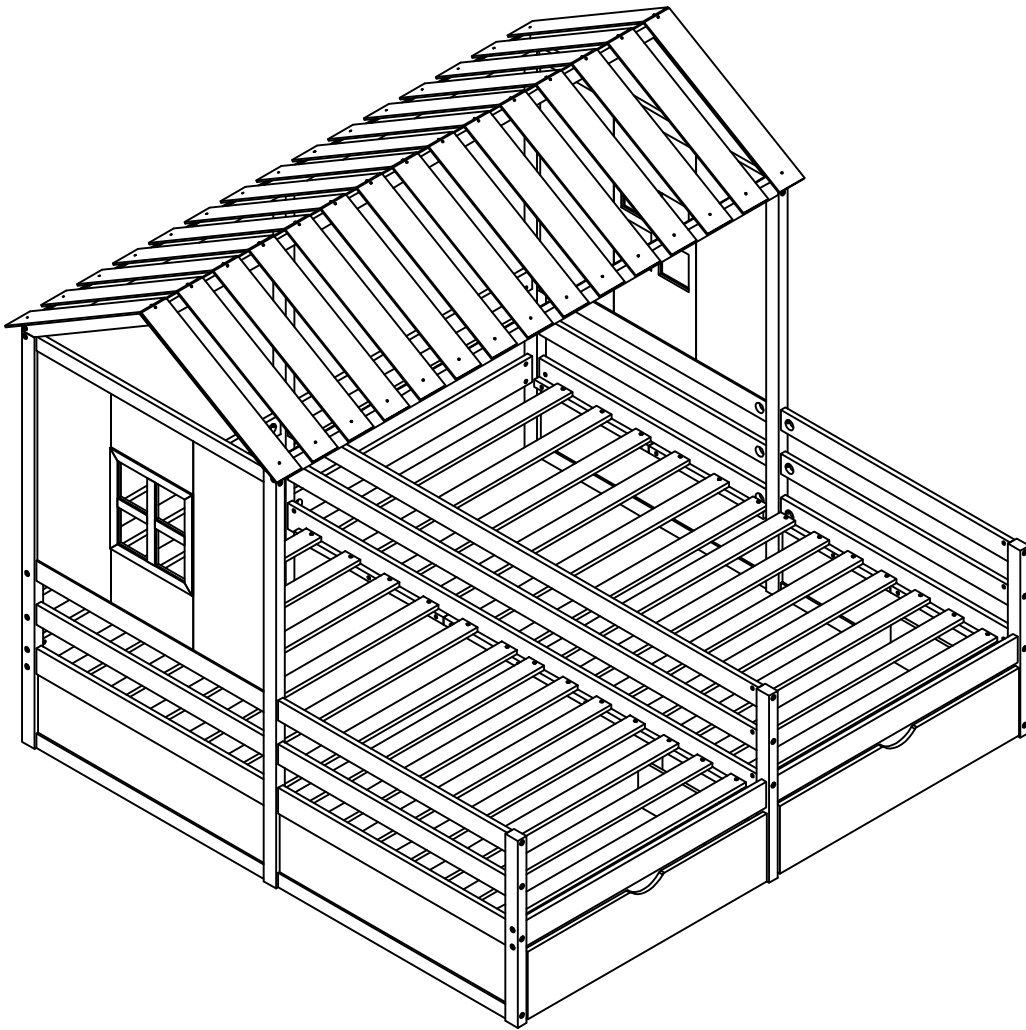
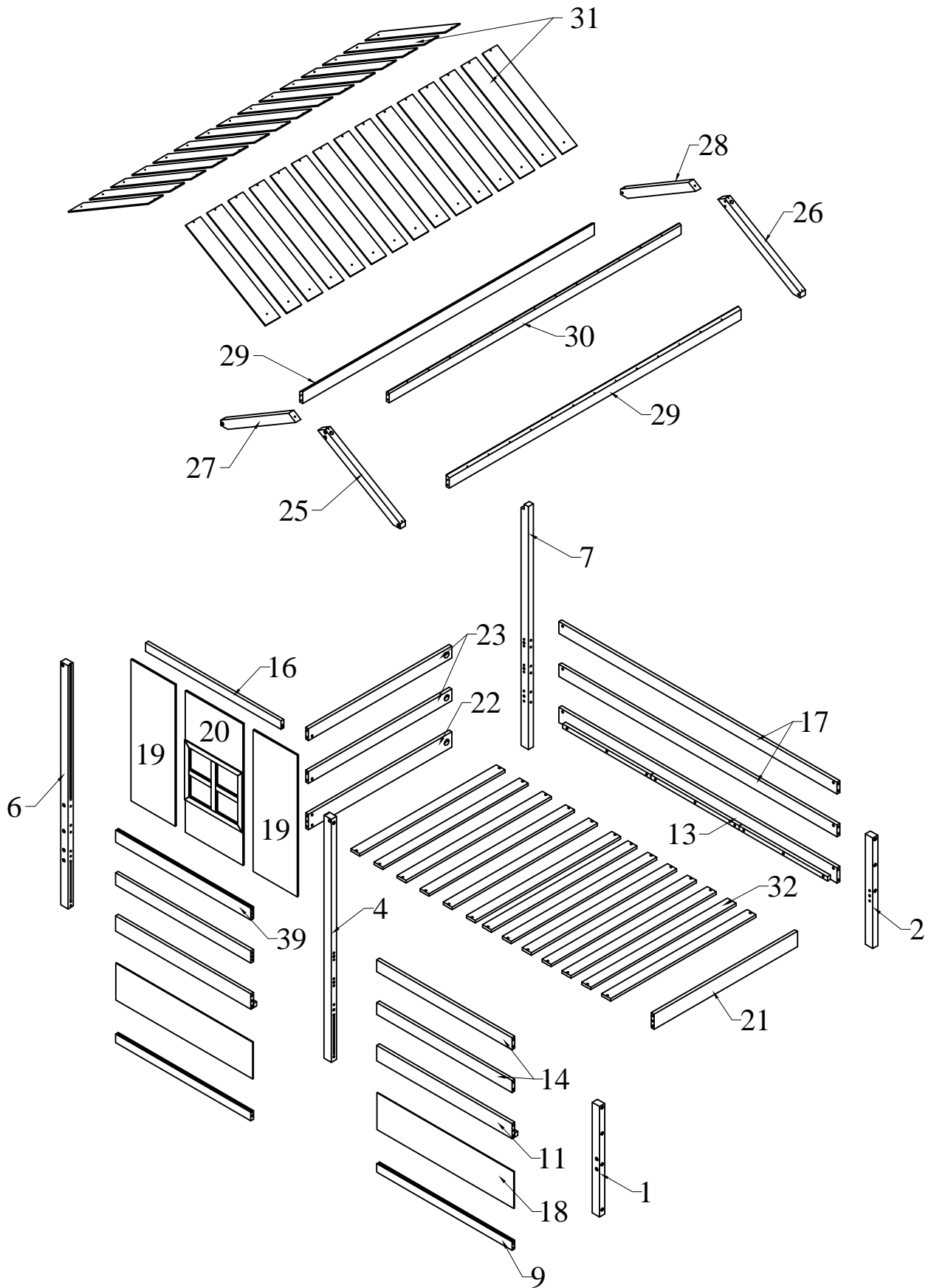


# ASSEMBLY INSTRUCTIONS

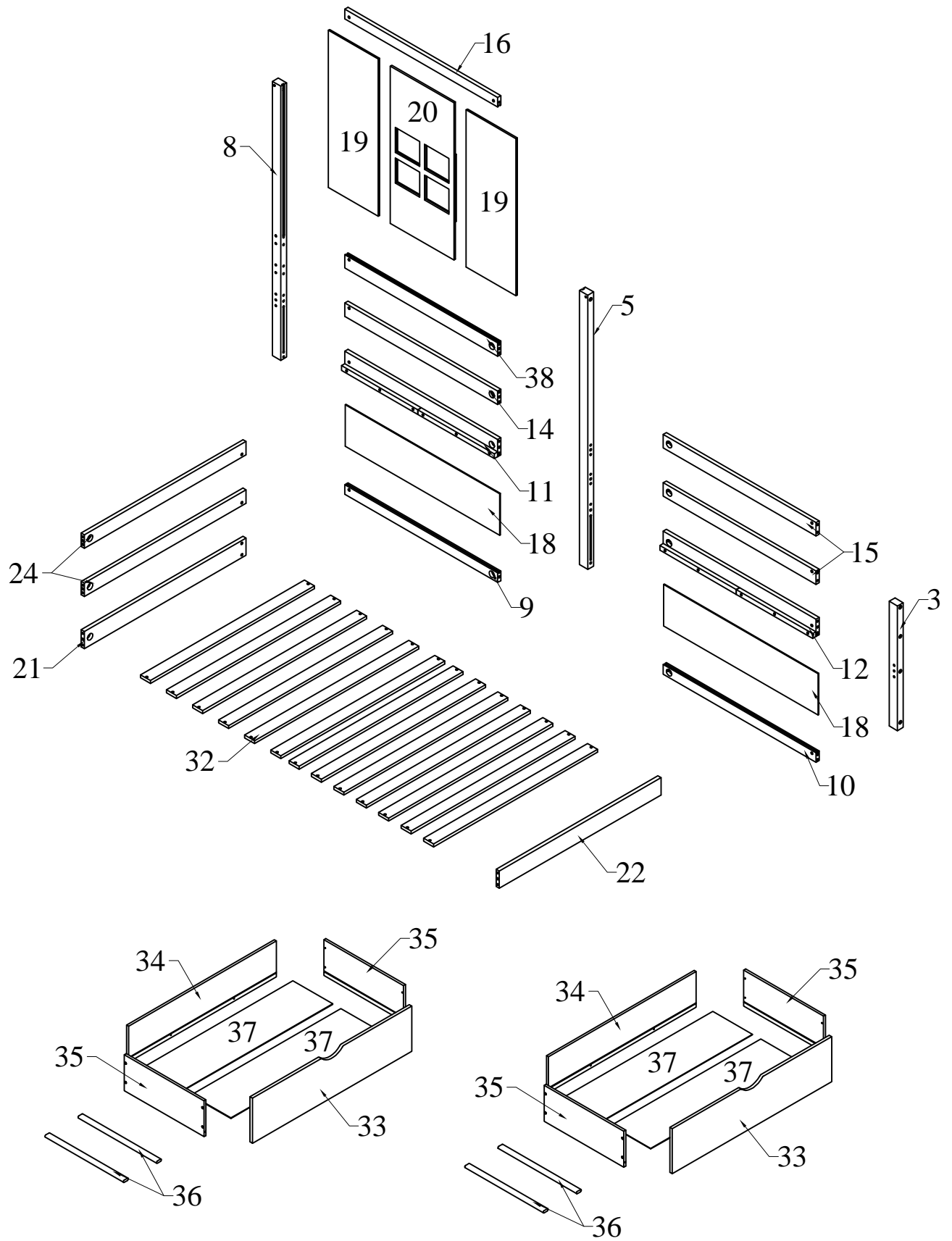
ITEM CODE: WF288977 / WF288978








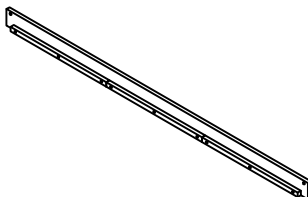
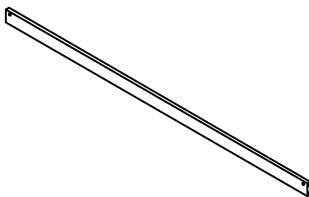
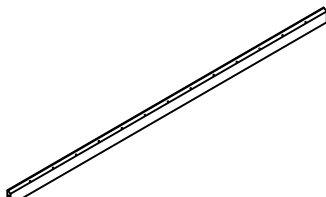
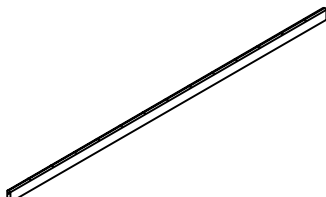
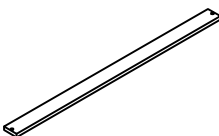
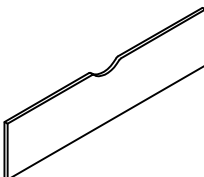
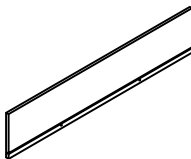
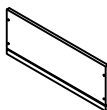
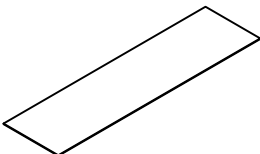
# DETAIL VIEW






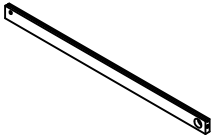
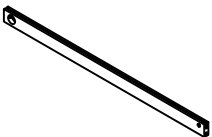
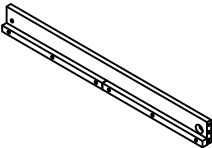
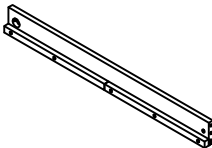
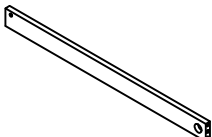
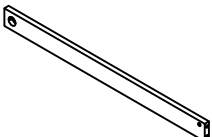
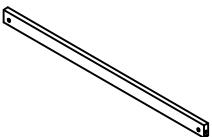
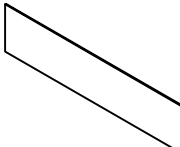


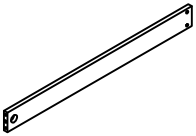
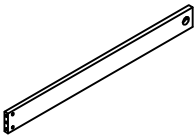
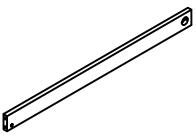
# DETAIL VIEW



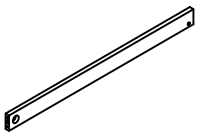
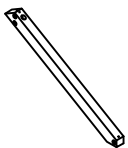
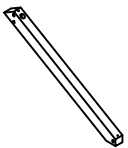

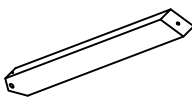
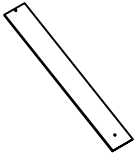
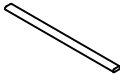
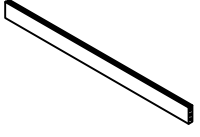
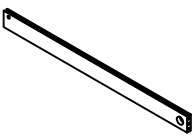
# BOX 1: WF288977

<p>4</p>  <p>Front left leg - long (1pc)</p>	<p>5</p>  <p>Front right leg - long (1pc)</p>	<p>6</p>  <p>Back left leg - long (1pc)</p>	<p>7</p>  <p>Back middle leg - long (1pc)</p>
<p>8</p>  <p>Back right leg - long (1pc)</p>	<p>13</p>  <p>Side rail - middle (1pc)</p>	<p>17</p>  <p>Side horizontal - long (2pcs)</p>	<p>29</p>  <p>Guard rail top - side (2pcs)</p>
<p>30</p>  <p>Guard rail top - middle (1pc)</p>	<p>32</p>  <p>Slats (26pcs)</p>	<p>33</p>  <p>Drawer - front (2pcs)</p>	<p>34</p>  <p>Drawer - back (2pcs)</p>
<p>35</p>  <p>Drawer - side (4pcs)</p>	<p>37</p>  <p>Drawer - bottom (4pcs)</p>		

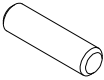
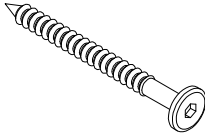
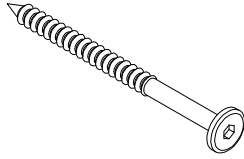
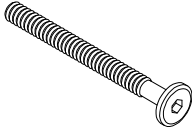
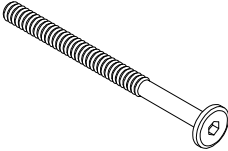

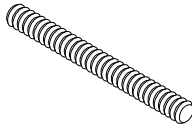
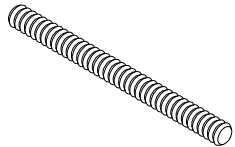

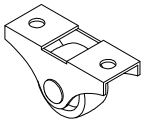
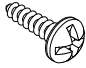
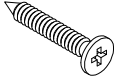
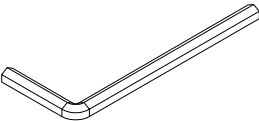
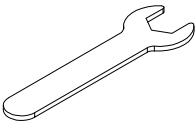
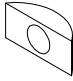

# BOX 2: WF288978

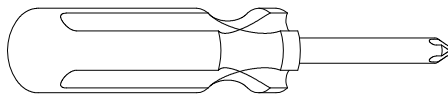
<p>1</p>  <p>Left leg - short (1pc)</p>	<p>2</p>  <p>Middle leg - short (1pc)</p>	<p>3</p>  <p>Right leg - short (1pc)</p>	<p>9</p>  <p>Side horizontal left lower (2pcs)</p>
<p>10</p>  <p>Side horizontal right lower (2pcs)</p>	<p>11</p>  <p>Side rail - left (2pcs)</p>	<p>12</p>  <p>Side rail - right (2pcs)</p>	<p>14</p>  <p>Side horizontal left upper (3pcs)</p>
<p>15</p>  <p>Side horizontal right upper (3pcs)</p>	<p>16</p>  <p>Side horizontal top (2pcs)</p>	<p>18</p>  <p>Side horizontal panel (4pcs)</p>	<p>19</p>  <p>Side vertical panel (4pcs)</p>
<p>20</p>  <p>Door frame (2pcs)</p>	<p>21</p>  <p>Front horizontal left (2pcs)</p>	<p>22</p>  <p>Front horizontal right (2pcs)</p>	<p>23</p>  <p>Back horizontal left (2pcs)</p>

# BOX 2: WF288978

<p>24</p>  <p>Back horizontal right (2pcs)</p>	<p>25</p>  <p>Cap for top - left front (1pc)</p>	<p>26</p>  <p>Cap for top - right front (1pc)</p>	<p>27</p>  <p>Cap for top - left back (1pc)</p>
<p>28</p>  <p>Cap for top - right back (1pc)</p>	<p>31</p>  <p>Top (30pcs)</p>	<p>36</p>  <p>Drawer - support bar (4pcs)</p>	<p>38</p>  <p>Side horizontal left midde (1pc)</p>
<p>39</p>  <p>Side horizontal right midde (1pc)</p>			

# HARDWARE LIST: WF288978

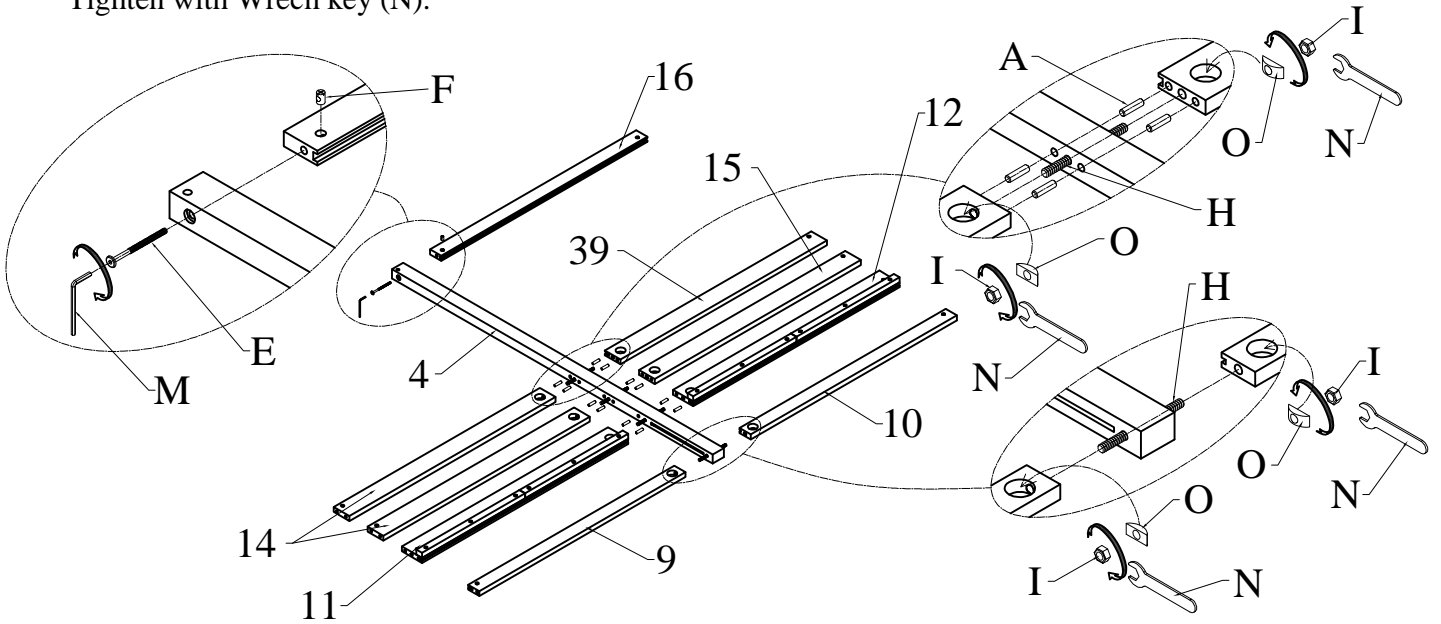
<p><b>A</b></p>  <p>Wood dowel Ø8 * 30 - 74pcs</p>	<p><b>B</b></p>  <p>Hexagonal bolts catch wood Ø6 * 70 - 12pcs</p>	<p><b>C</b></p>  <p>Hexagonal bolts catch wood Ø6 * 100 - 2pcs</p>	<p><b>D</b></p>  <p>Hex - Head bolts Ø1/4" * 70- 12pcs</p>
<p><b>E</b></p>  <p>Hex - Head bolts Ø1/4" * 100 - 26pcs</p>	<p><b>F</b></p>  <p>Horizontal - Hold bolts Ø1/4" - 38pcs</p>	<p><b>G</b></p>  <p>Full thread bolts Ø5/16" * 110 - 4pcs</p>	<p><b>H</b></p>  <p>Full thread bolts Ø5/16" * 120 - 8pcs</p>
<p><b>I</b></p>  <p>Hexagonal screw Ø5/16" - 24pcs</p>	<p><b>J</b></p>  <p>Wheel - 8pcs</p>	<p><b>K</b></p>  <p>Round Screw M3.5 * 15 - 16pcs</p>	<p><b>L</b></p>  <p>Wood crews M4 * 25 - 72pcs</p>
<p><b>M</b></p>  <p>Allen key (K4) - 1pc</p>	<p><b>N</b></p>  <p>Wrench key (K13) - 2pcs</p>	<p><b>O</b></p>  <p>Semi - Circular Ø5/16" - 24pcs</p>	<p><b>P</b></p>  <p>Round Screw M4 * 20 - 60pcs</p>









**Assembly Tools Required (Not Included)**

# STEP 1

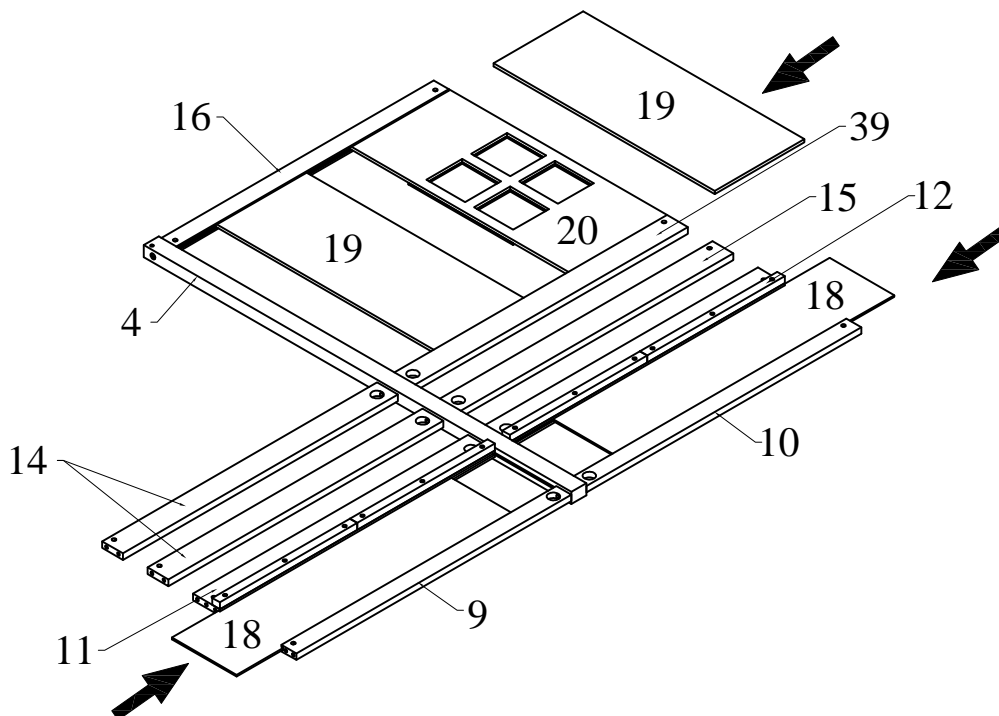
1. Align and fix the Front left leg (long) #4 with Side horizontal (top) #16 using Hex-Head bolts (E) and Horizontal-hole bolts (F). Tighten with Allen key (M).
2. Align and fix the Front left leg (long) #4 with Side horizontal #9, #10, #14, #15, #39 and Side rail #11, #12 using the Full thread bolts (H), Semi-circular (O), Wood dowel (A) and Hexagonal screw (I). Tighten with Wrench key (N).



<p>A</p>  <p>12pcs</p>	<p>E</p>  <p>1pcs</p>	<p>F</p>  <p>1pcs</p>	<p>H</p>  <p>4pcs</p>	<p>I</p>  <p>8pcs</p>	<p>O</p>  <p>8pcs</p>
---	--	--	--	--	--

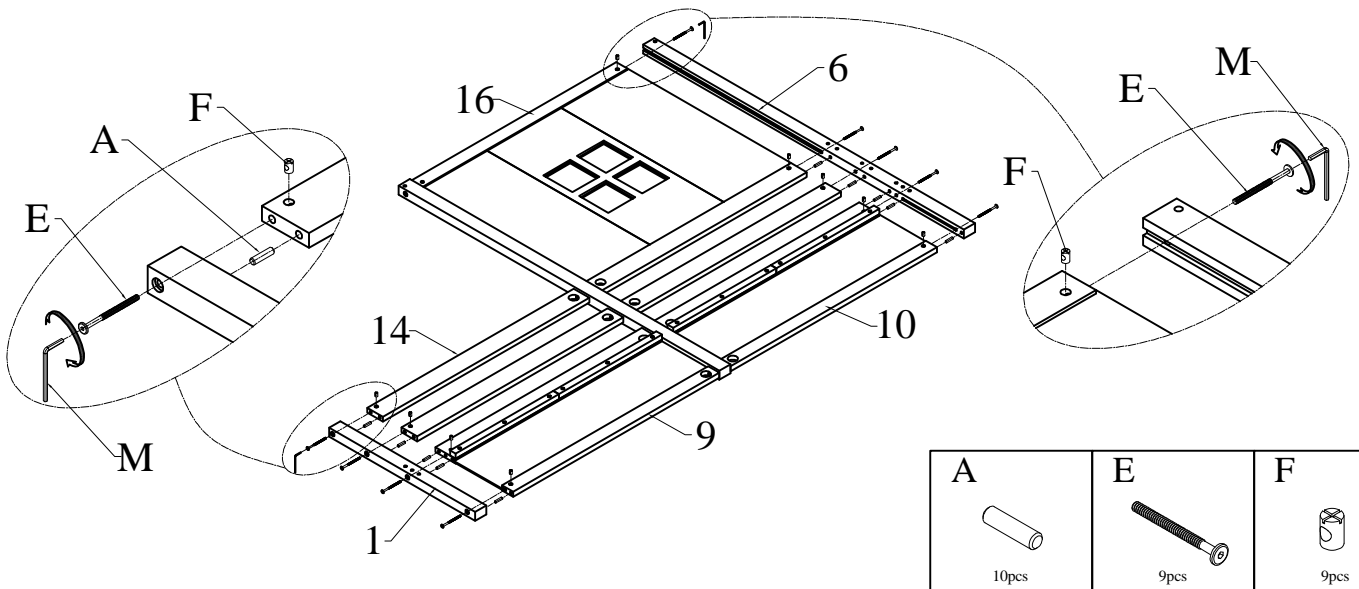
# STEP 2

1. Align and fix the support frame. The move side vertical panel #19 and Door frame #20 into the connecting groove between Side horizontal #16, #39 and #4.
2. Align and fix the support frame. The move side horizontal panel #18 into the connecting groove between Side horizontal #9, #10, #11 and #12.



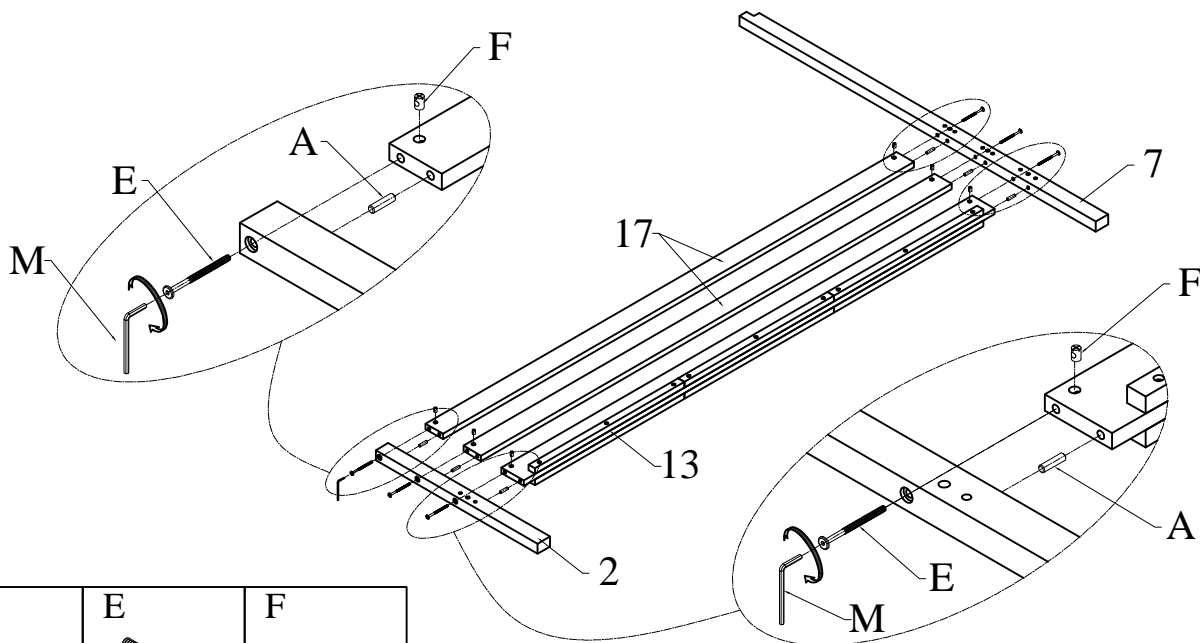
# STEP 3




1. Align and fix the Front left leg (short) #1 with Side horizontal #9, #11, and #14 using Hex-Head bolts (E), Wood dowel (A) and Horizontal-hole bolts (F). And move side horizontal panel #18 into the connecting groove between #1. Tighten with Allen key (M).
2. Align and fix the Back left leg (long) #6 with Side horizontal #10, #12 and #15 using Hex-Head bolts (E) Wood dowel (A) and Horizontal-hole bolts (F). And move side horizontal panel #18 and side vertical panel #19 into the connecting groove between #6. Tighten with Allen key (M).
3. Align and fix the Back left leg (long) #6 with Side horizontal (top) #16 using Hex-Head bolts (E) and Horizontal-hole bolts (F). Tighten with Allen key (M).



# STEP 4

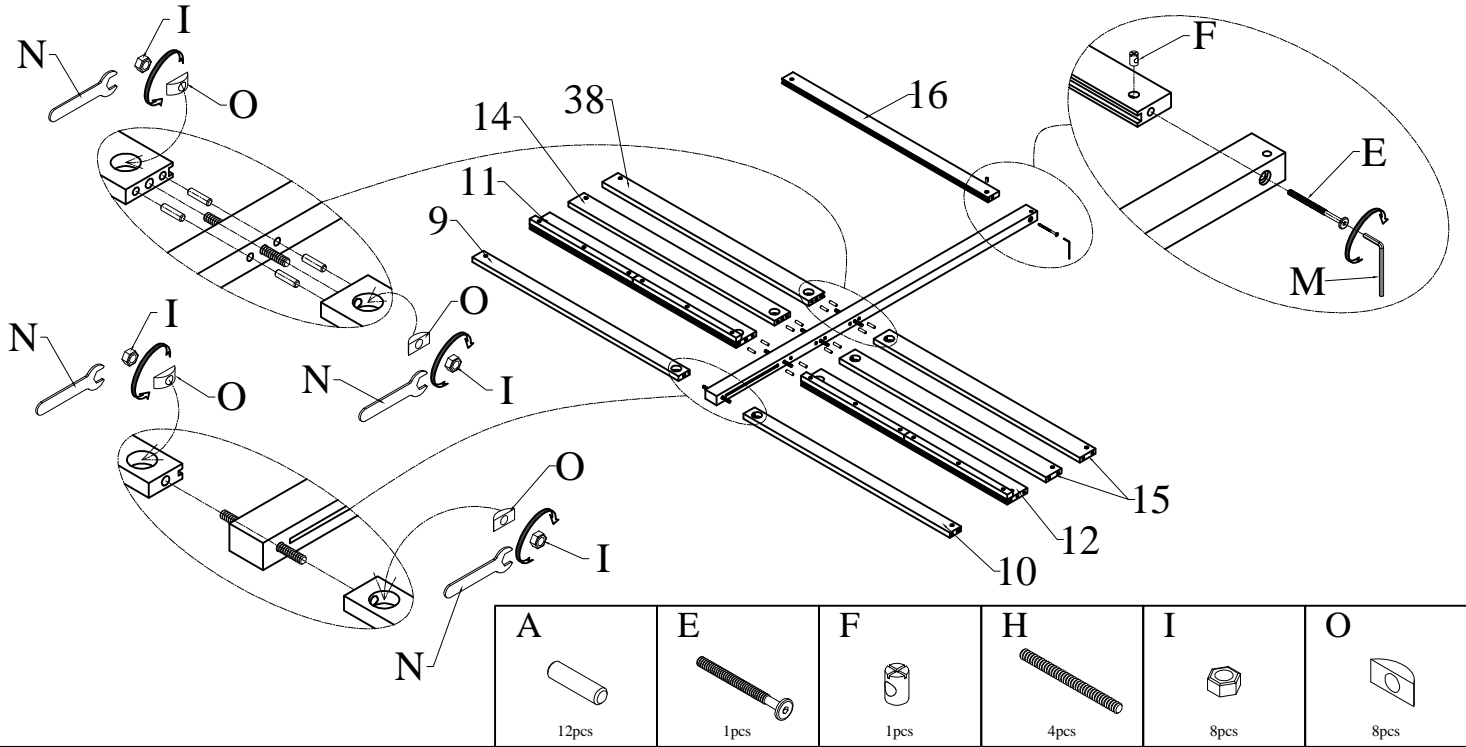
1. Align and fix the Middle leg #2 with Side horizontal #17 and Side rail (middle) #13 using Hex-Head bolts (E), Wood dowel (A) and Horizontal-hole bolts (F). Tighten with Allen key (M).
1. Align and fix the Back middle leg (long) #7 with Side horizontal #17 and Side rail (middle) #13 using Hex-Head bolts (E), Wood dowel (A) and Horizontal-hole bolts (F). Tighten with Allen key (M).



<b>A</b>  6pcs	<b>E</b>  6pcs	<b>F</b>  6pcs
---	---	---

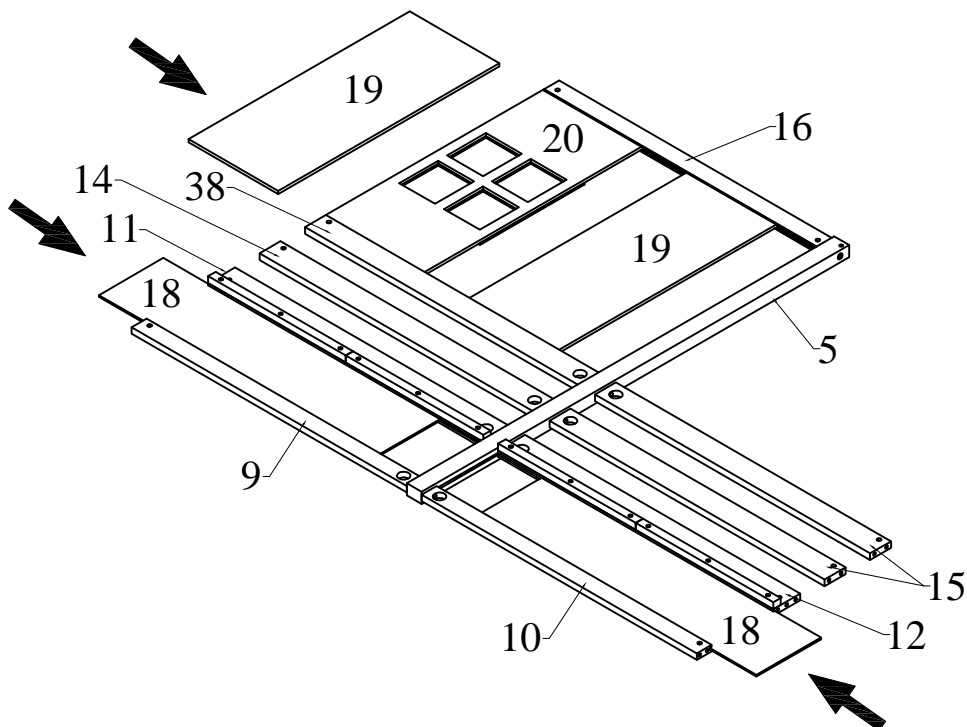
# STEP 5

1. Align and fix the Front left leg (long) #5 with Side horizontal (top) #16 using Hex-Head bolts (E) and Horizontal-hole bolts (F). Tighten with Allen key (M).
2. Align and fix the Front left leg (long) #5 with Side horizontal #9, #10, #14, #15, #38 and Side rail #11, #12 using the Full thread bolts (H), Semi-circular (O), Wood dowel (A) and Hexagonal screw (I).



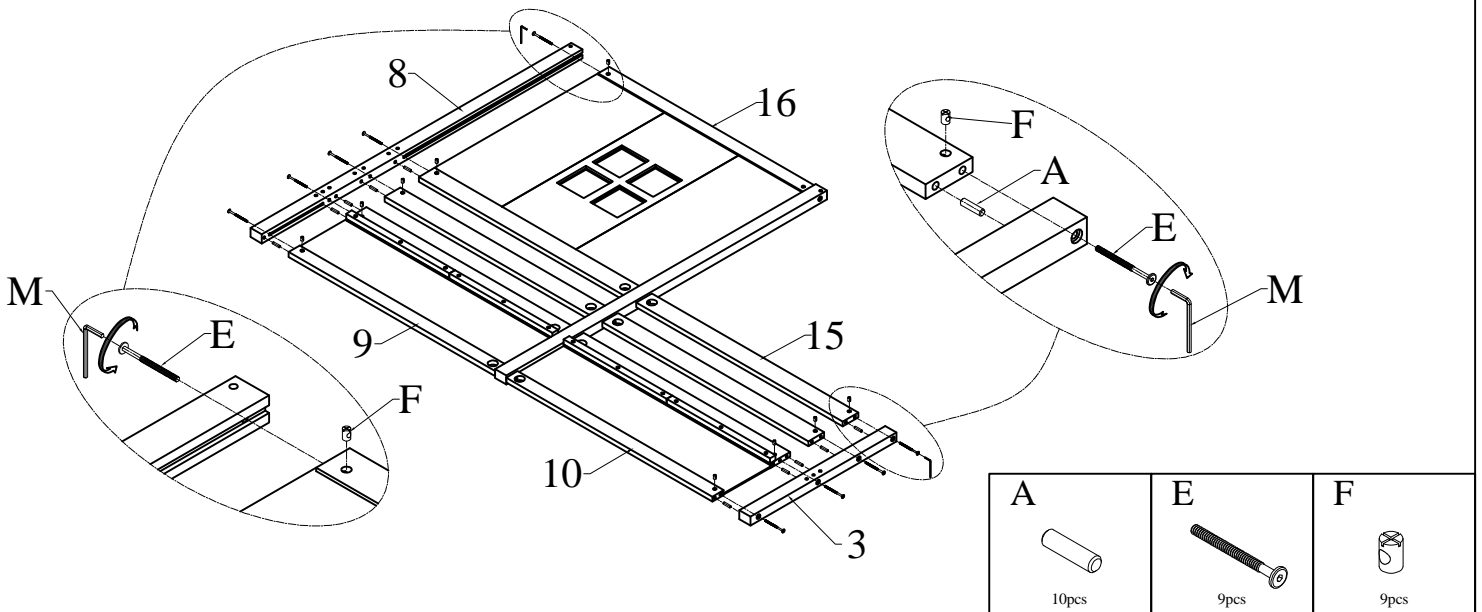
# STEP 6

1. Align and fix the support frame. The move side vertical panel #19 and Door frame #20 into the connecting groove between Side horizontal #16, #39 and #4.
2. Align and fix the support frame. The move side horizontal panel #18 into the connecting groove between Side horizontal #9, #10, #11 and #12.



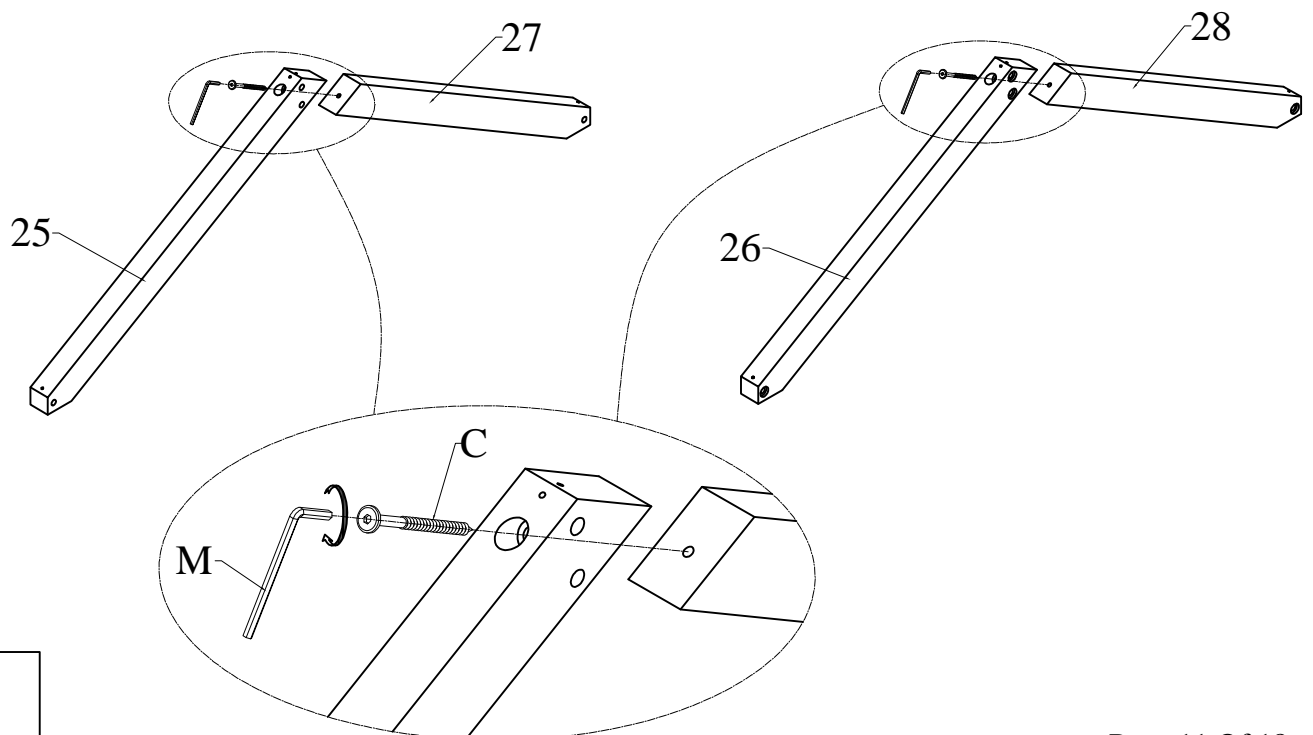
# STEP 7

1. Align and fix the Front left leg (short) #3 with Side horizontal #10, #12, and #15 using Hex-Head bolts (E), Wood dowel (A) and Horizontal-hole bolts (F). And move side horizontal panel #18 into the connecting groove between #3. Tighten with Allen key (M).
2. Align and fix the Back left leg (long) #8 with Side horizontal #9, #11 and #14 using Hex-Head bolts (E) Wood dowel (A) and Horizontal-hole bolts (F). And move side horizontal panel #18 and side vertical panel #19 into the connecting groove between #8. Tighten with Allen key (M).
3. Align and fix the Back left leg (long) #8 with Side horizontal (top) #16 using Hex-Head bolts (E) and Horizontal-hole bolts (F). Tighten with Allen key (M).



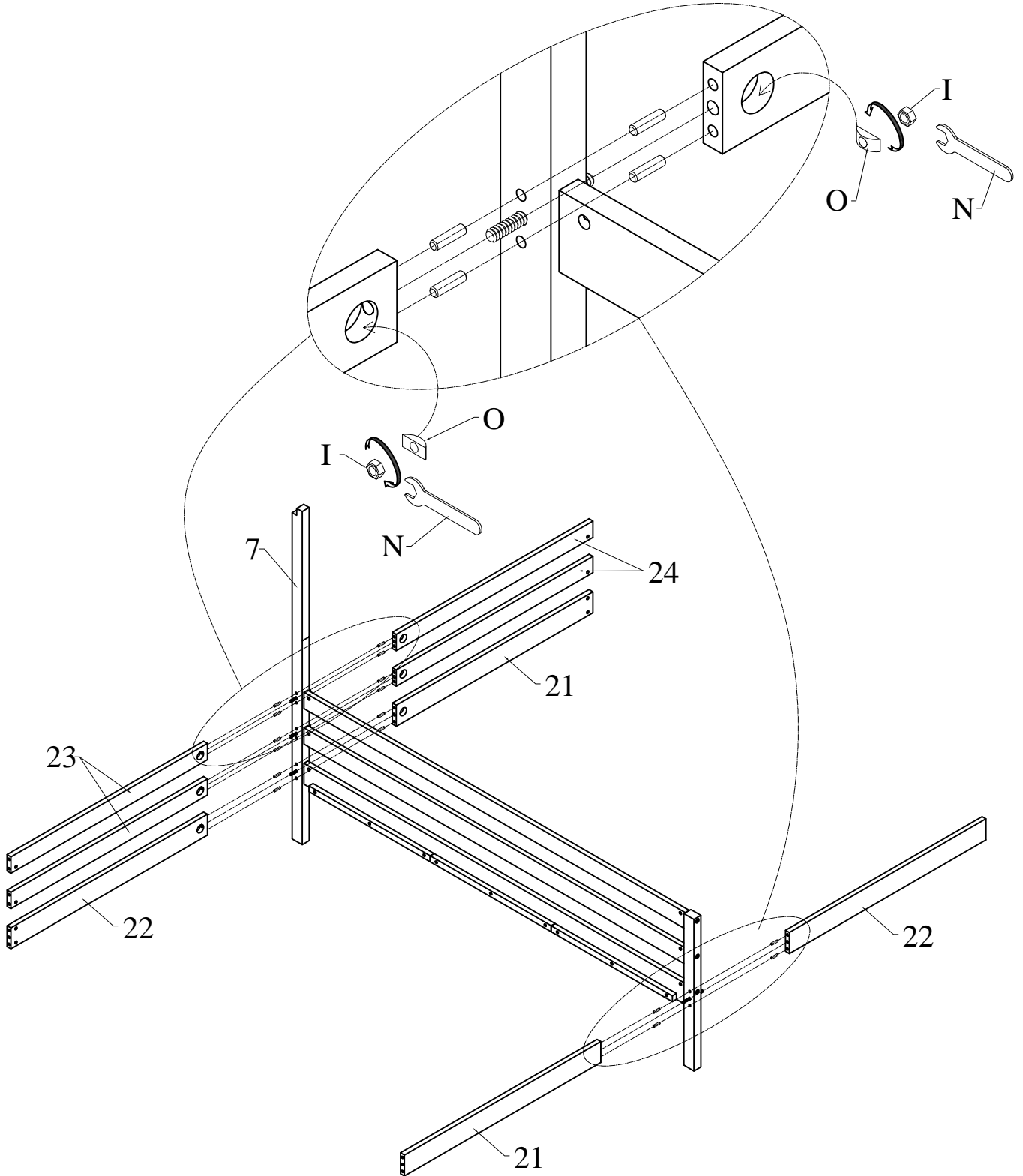
# STEP 8





1. Align and fix the Cap for top (left-right back) #27 and #28 with Cap for top (left-right front) #25 and #26 using the Hexagonal bolts catch wood (C). Tighten with Allen key (M).



# STEP 9

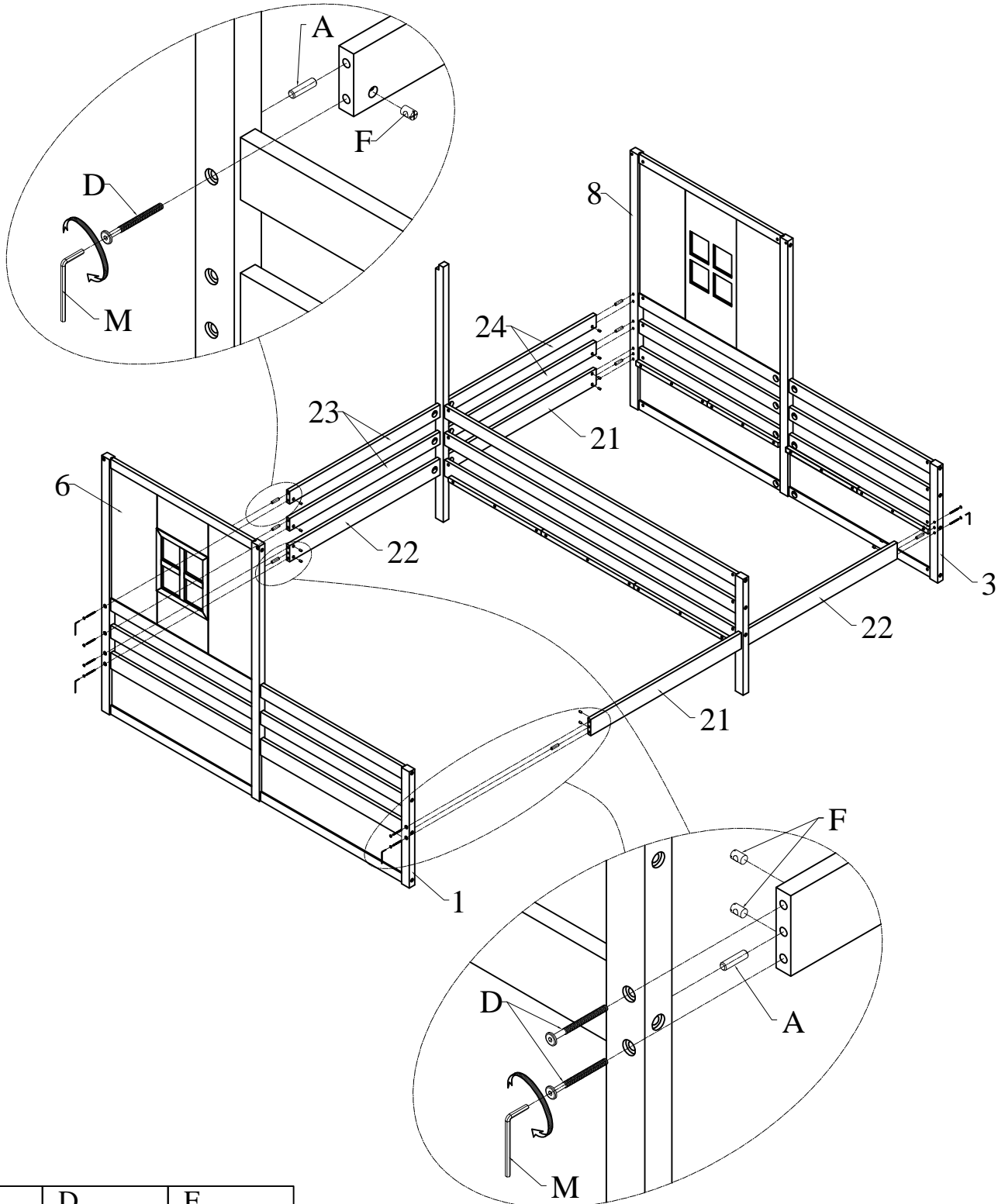
1. Align and fix the Middle left leg (short) #2 with Front horizontal #21, and #22 using Full thread bolts (G), Semi-circular (O), Wood dowel (A) and Hexagonal screw (I). Tighten with Wrench key (N).
2. Align and fix the Middle left leg (long) #7 with back horizontal #21, #22, #23 and #22 using Full thread bolts (G), Semi-circular (O), Wood dowel (A) and Hexagonal screw (I). Tighten with Wrench key (N).






<b>A</b>  16pcs	<b>G</b>  4pcs	<b>I</b>  8pcs	<b>O</b>  8pcs
--	---	---	---

# STEP 10

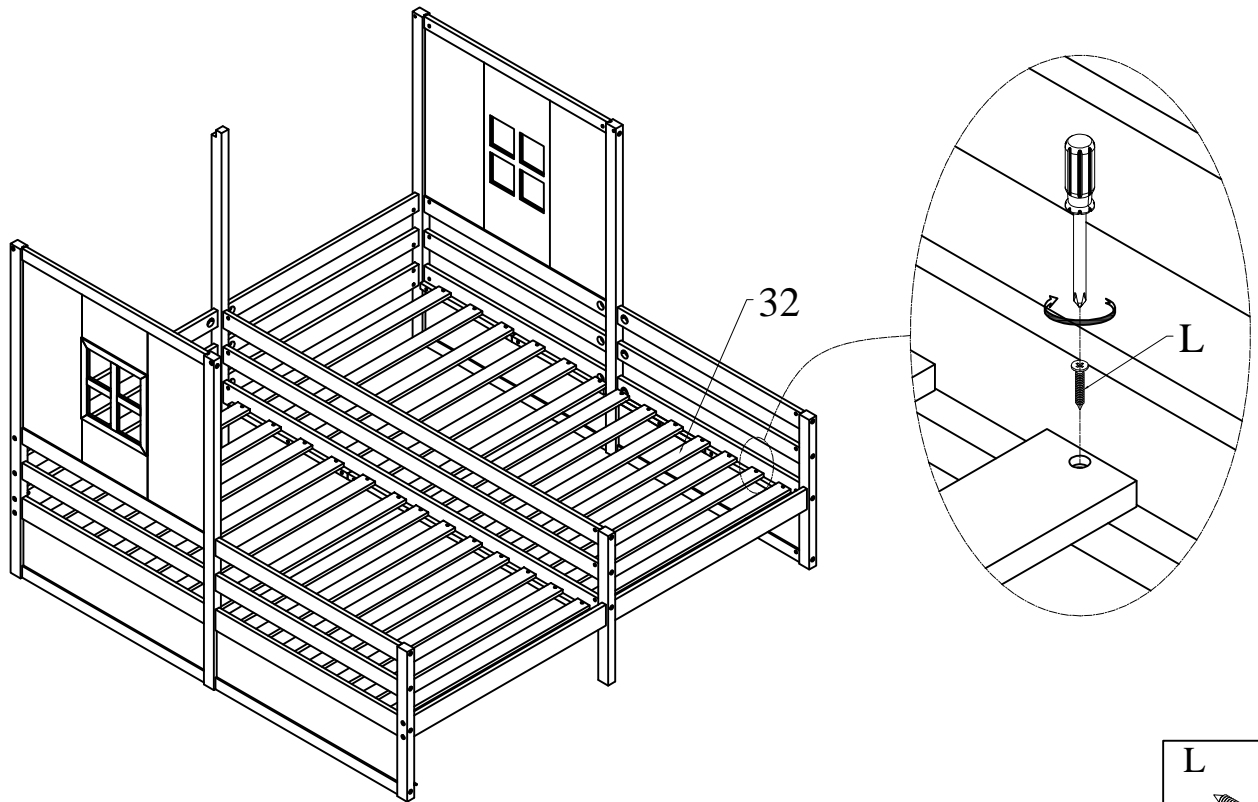
1. Align and fix the Left-right leg (short) #1 and #3 with Front horizontal (left-right)#21, and #22 using Hex-Head bolts (D), Wood dowel (A) and Horizontal-hole bolts (F). Tighten with Allen key (M).
2. Align and fix the Back left-right leg (long) #6 and #8 with back horizontal (left-right)#21, #22, #23 and #24 using Hex-Head bolts (D), Wood dowel (A) and Horizontal-hole bolts (F). Tighten with Allen key (M).



A  8pcs	D  12pcs	F  12pcs
--	---	---

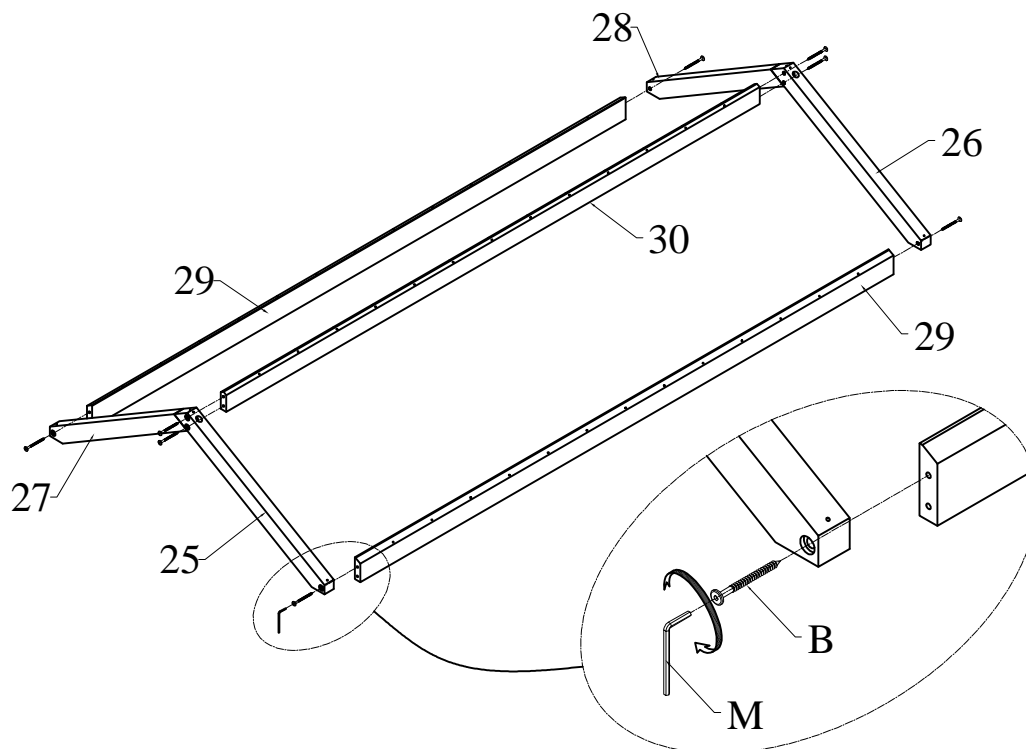
# STEP 11

1. Align and fix the Slats #32 using wood Screws (L). Tighten with screw driver (not included).



# STEP 12

1. Align and fix the Cap for top frame #25, #26, #27 and #28 with Guard rail top (side-middle) #29 and #30 using the Hexagonal bolts catch wood (B). Tighten with Allen key (M).



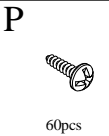
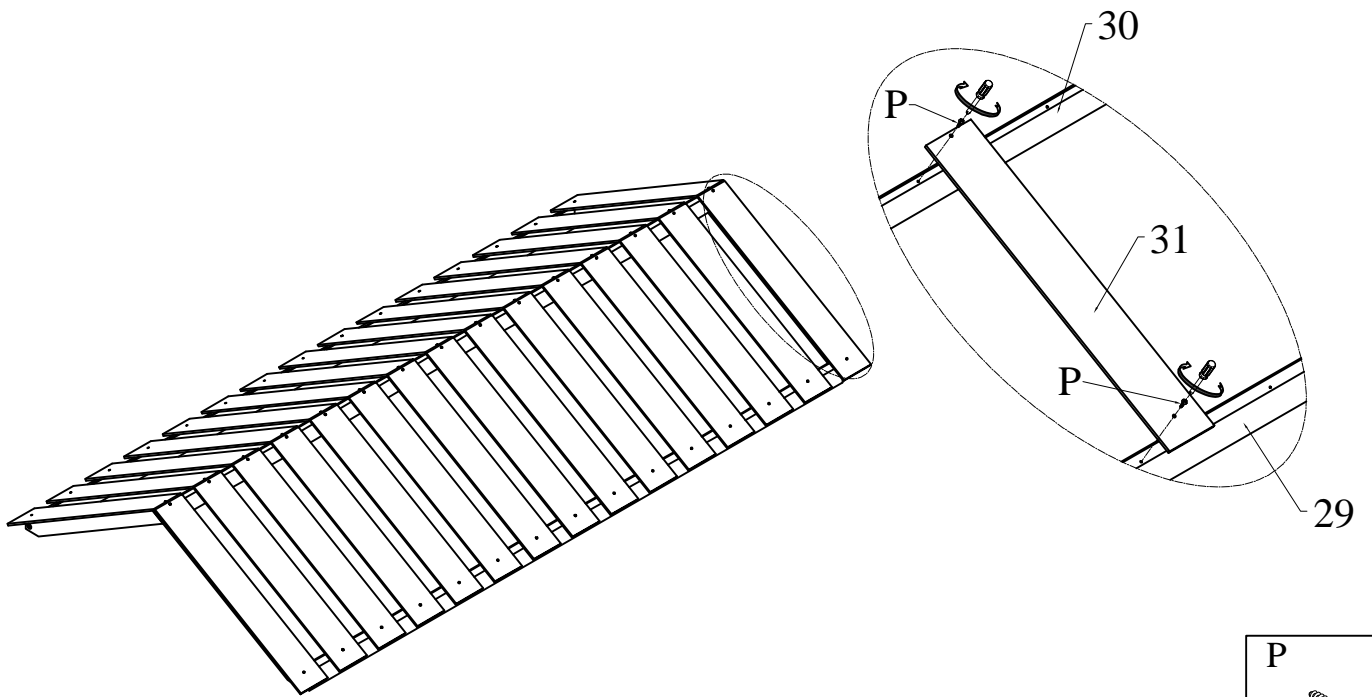
B



8pcs

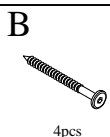
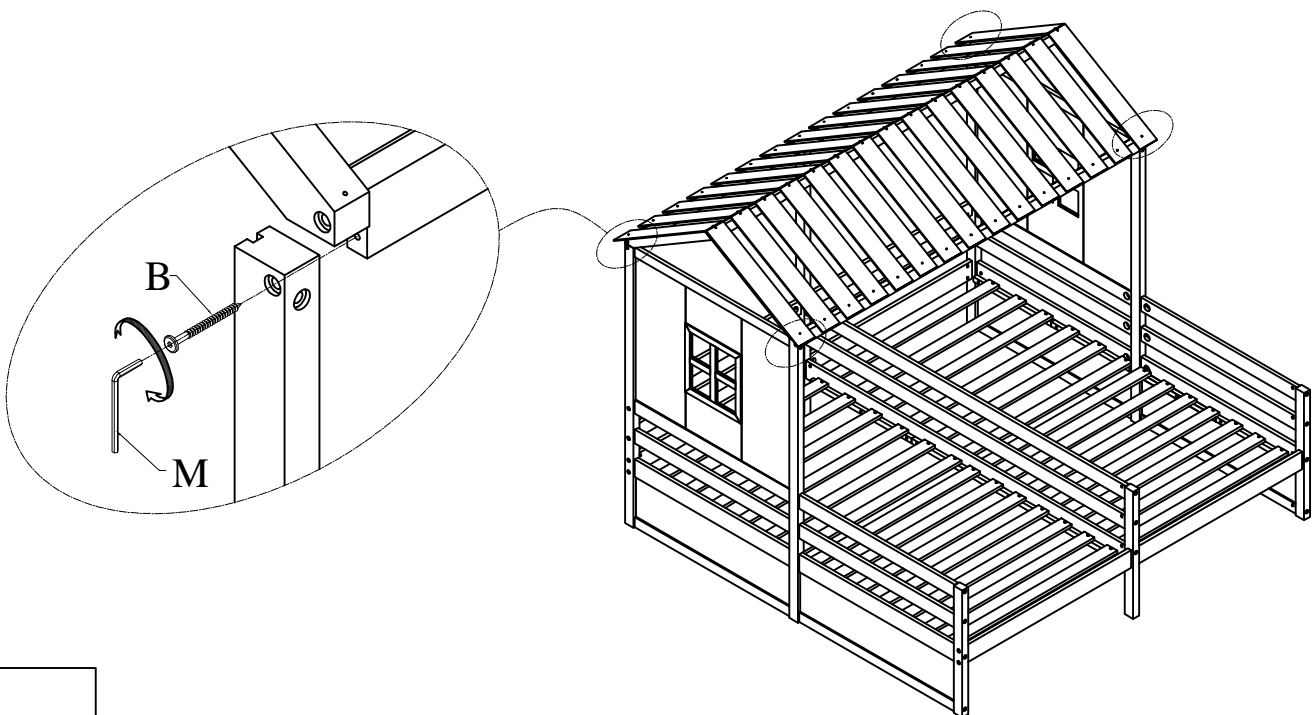
# STEP 13

1. Align and fix the top frame. The top #31 with the cap for top frame #25, #26, #27 and #28 using Wood Screws (P). Tighten with screw driver (not included).
2. Align and fix the top frame. The top #31 with the Guard rail top (side-middle) #29 and #30 using Wood Screws (P). Tighten with screw driver (not included).



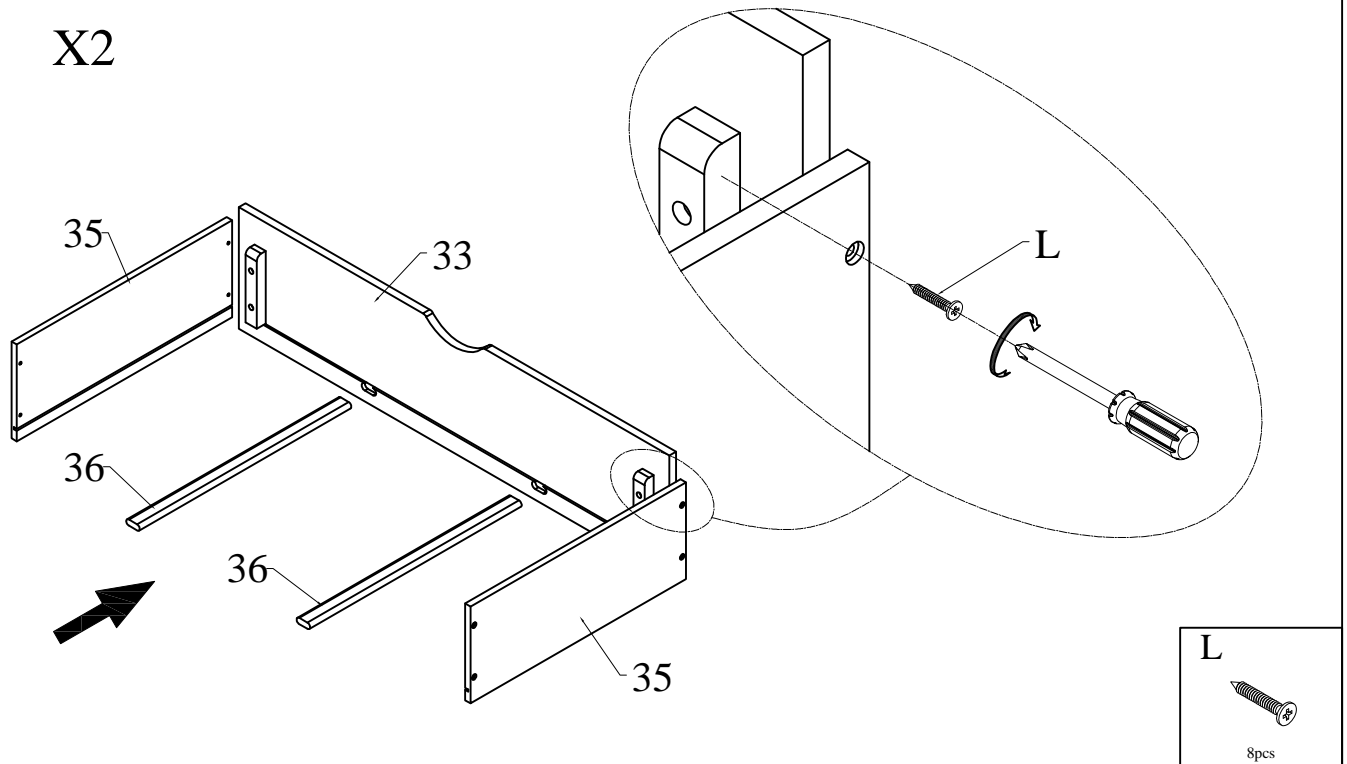
# STEP 14

1. Align and fix the base frame with the top frame using the Hexagonal bolts catch wood (B). Tighten with Allen key (M).



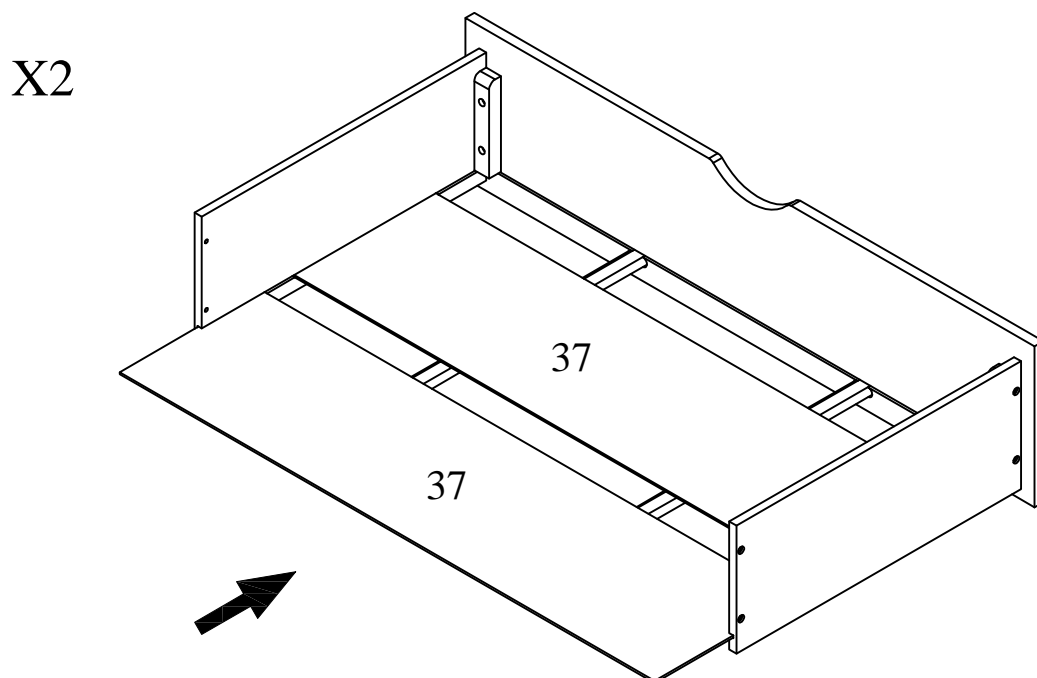
## STEP 15

1. Align and fix the Drawer-Side #35 with the Drawer-Front #33 using Wood screws (L).  
Tighten with screw driver (not included).
2. Align and fix the support frame. The move Drawer-Support bar #36 into the connecting groove on the Drawer-Front #33



## STEP 16

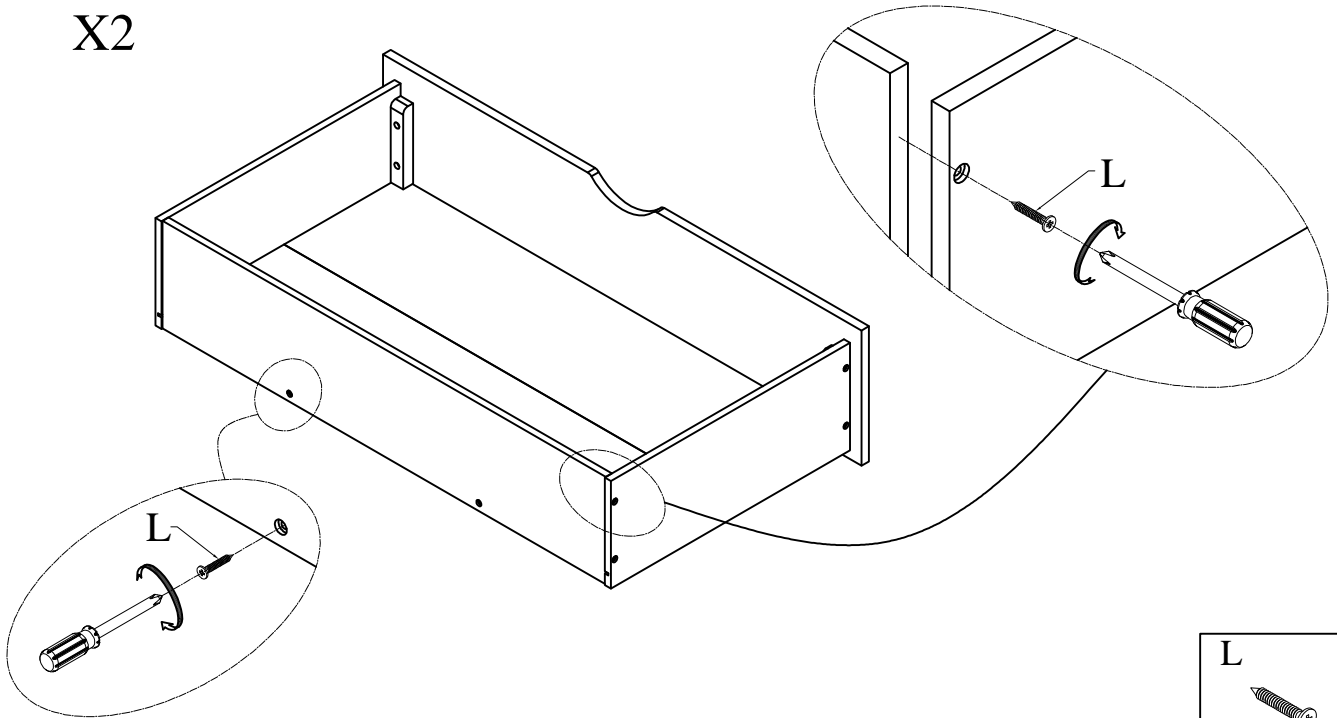
1. Align and fix the support frame. The move Drawer-Bottom #37 into the connecting groove on the Drawer-Side #35 to the Drawer-Front #33



# STEP 17

1. Align and fix the Drawer-Side #35 with the Drawer-Back #34 using Wood screws (L).  
Tighten with screw driver (not included).
2. Align and fix the Drawer-Support bar #36 with the Drawer-Back #34 using Wood screws (L).  
Tighten with screw driver (not included).

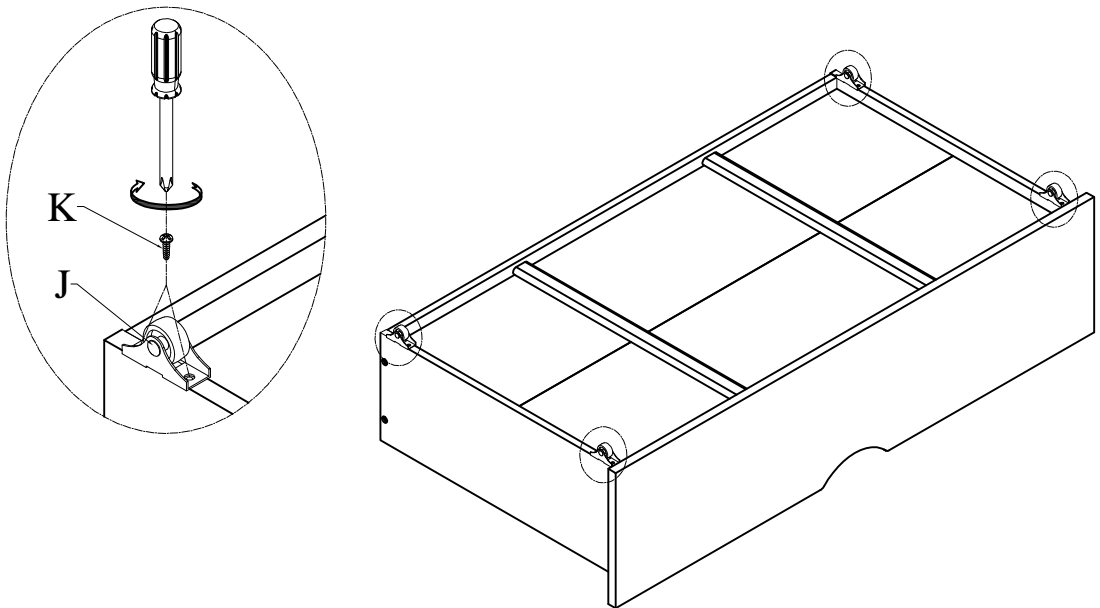
X2



# STEP 18

1. Align and fix the Wheel (J) with the Drawer-Side #35 using Wood screws (K).  
Tighten with screw driver (not included).

X2



J



8pcs

K



16pcs

# COMPLETED

