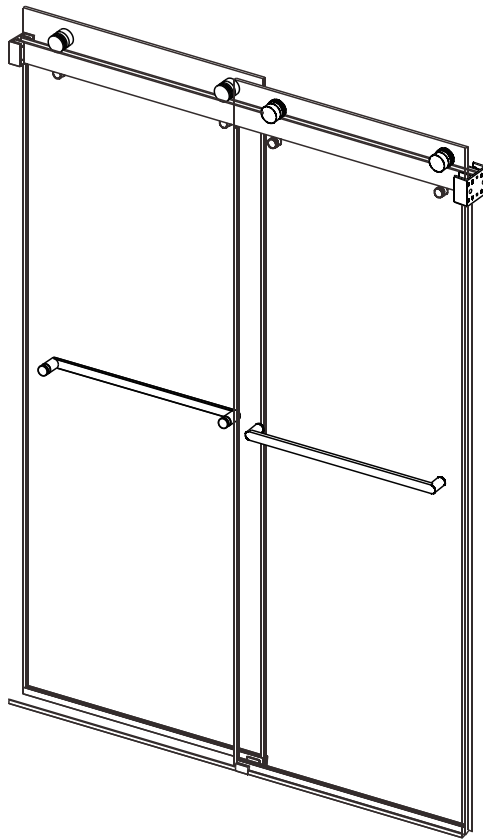


INSTALLATION INSTRUCTIONS

FOR SHOWER DOOR

ROME SERIES



RM-5976 CH/BN/MB

FINISH :

CH-Chrome

BN-Brushed Nickel

MB-Matte Black

◆ General Information

Inspect the product immediately upon receipt for transit damage, missing packs/parts or manufacturing fault. Damage reported later will not be accepted. Handle the product with care avoiding knocks and shock loading to all sides and edges of the glass.

◆ Notes: Safety glass can not be re-worked

Read these instructions carefully before start of installation.

Special care should be taken when drilling walls to avoid hidden pipes or electrical cables.

Note: This product is heavy and may require two people to install.

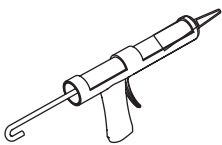
◆ Aftercare instructions

After use, your shower should be cleaned with soap and water. This is particularly important in hard water districts where insoluble lime salts maybe deposited and allowed to build up. Cleaners of a gritty or abrasive nature should not be used. Care should be taken to avoid contact with strong chemicals, they can be used but with caution, if in doubt contact the manufacturer of the cleaner in question.

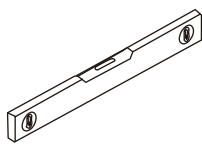
Keep these instructions for aftercare and customer service details.

Note: Aluminium top rail can be trimmed up to 4" for width adjustment. If installation opening is smaller, the overlap of two glass panel is bigger, and the entrance size is reduced accordingly.

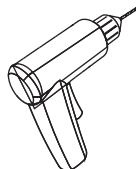
Tools Required



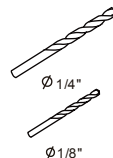
Silicone



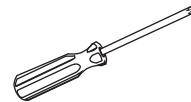
Level



Drill



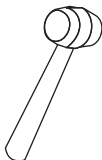
Drill Bit



Screwdriver
(Phillips)



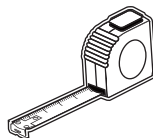
Sealant
Finishing Tool



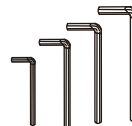
Mallet



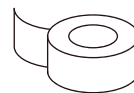
Pencil



Tape Measurer



Allen Wrenches



Painters
Tape

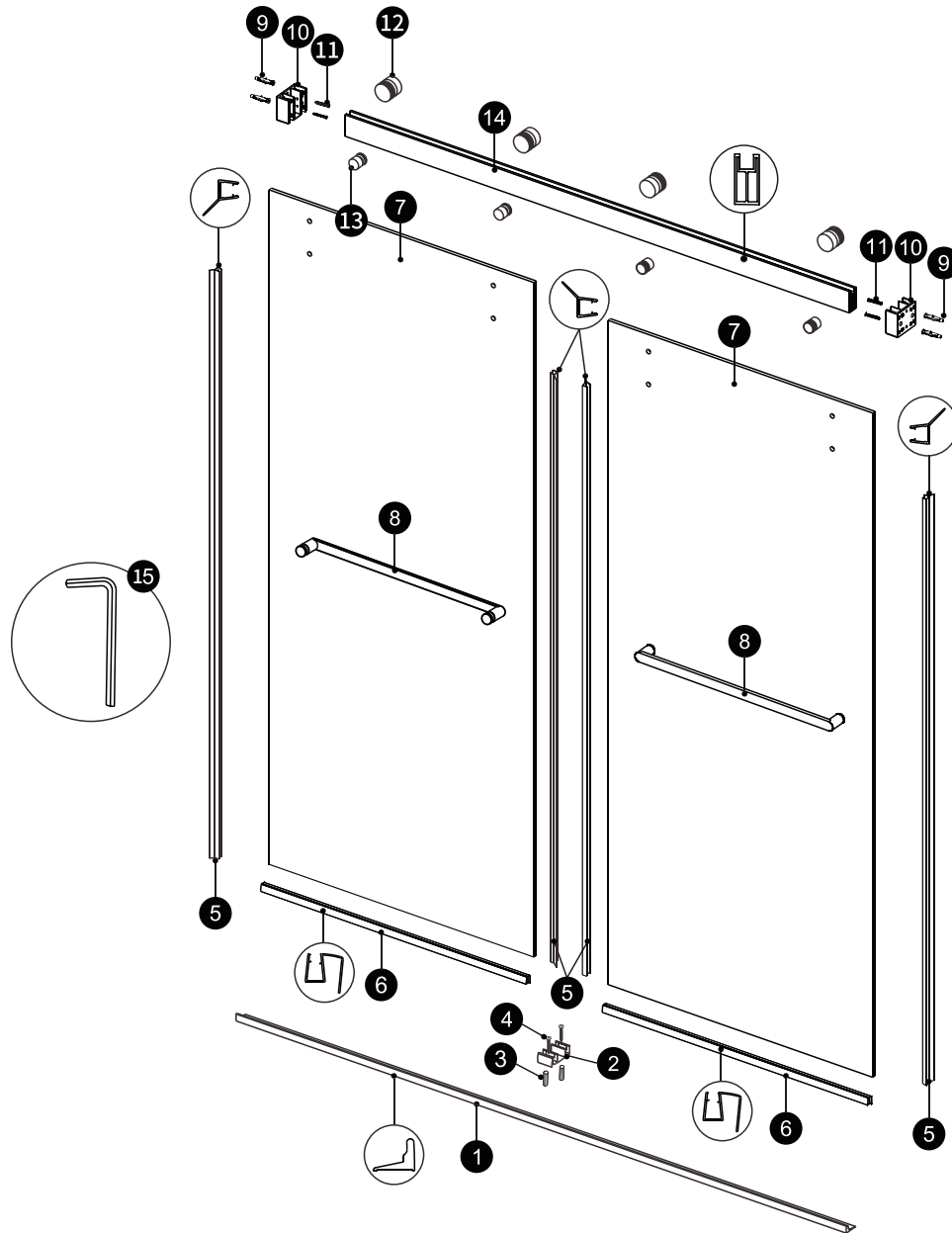
Tips: Measure the finished opening before proceeding with the installation to be sure that the correct model size has been ordered.

Note: These instructions will show the installation of the shower door. Please follow the same steps for the installation of the tub door.



PARTS LIST

FOR SHOWER DOOR



PACKING LIST

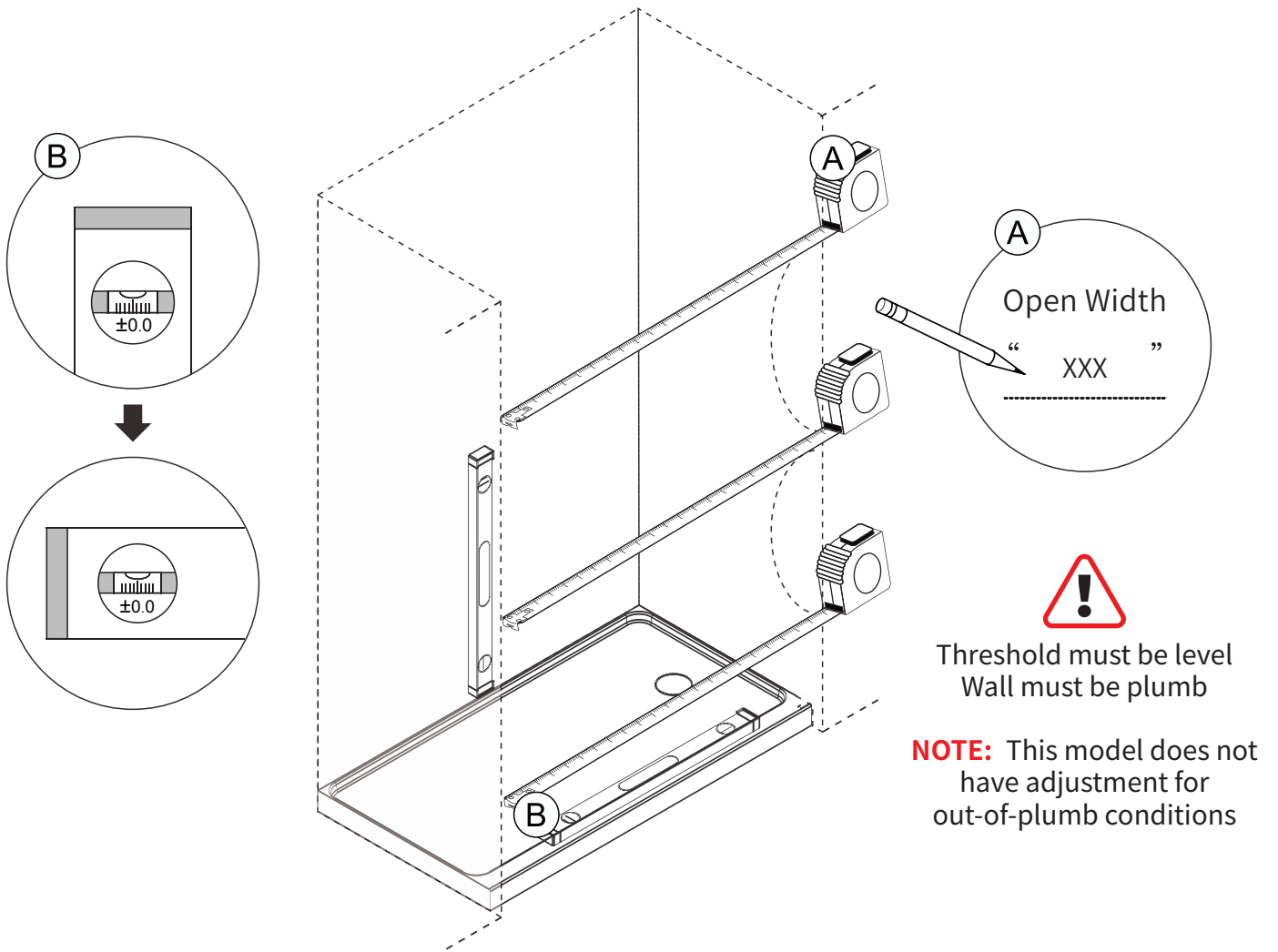


Keep small parts away from children

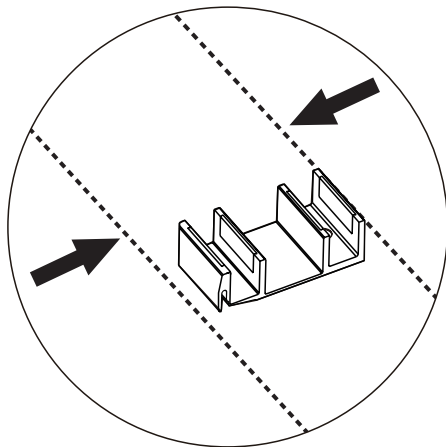
PART #	DESCRIPTION	Q' TY	PART #	DESCRIPTION	Q' TY
1	Aluminum Threshold	1pc	9	Wall Plugs-B	4pcs
2	Bottom Guide	1pc	10	Wall Brackets(L/R) x 1 for each	1set
3	Wall Plugs-A	2pcs	11	Countersunk Screws ST5x2"	4pcs
4	Countersunk Screws ST4x1"	2pcs	12	Rollers	4pcs
5	Gasket-A	4pcs	13	Anti-Lift Pins	4pcs
6	Gasket-B	2pcs	14	Running Bar	1pc
7	Door Panels	2pcs	15	Allen Wrenches	1pc
8	Towel Bar	2pcs			

INSTALLATION STEPS

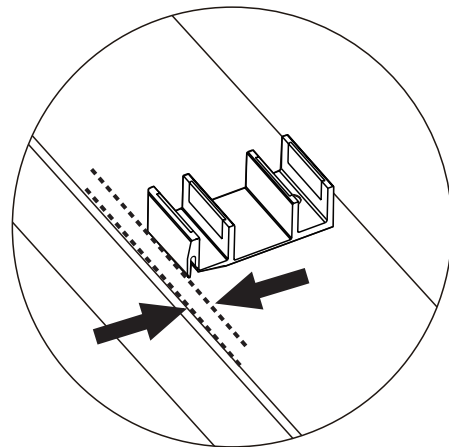
STEP 1



minimum 3"
of flat threshold space



3/8" from front edge
of the threshold if space enough

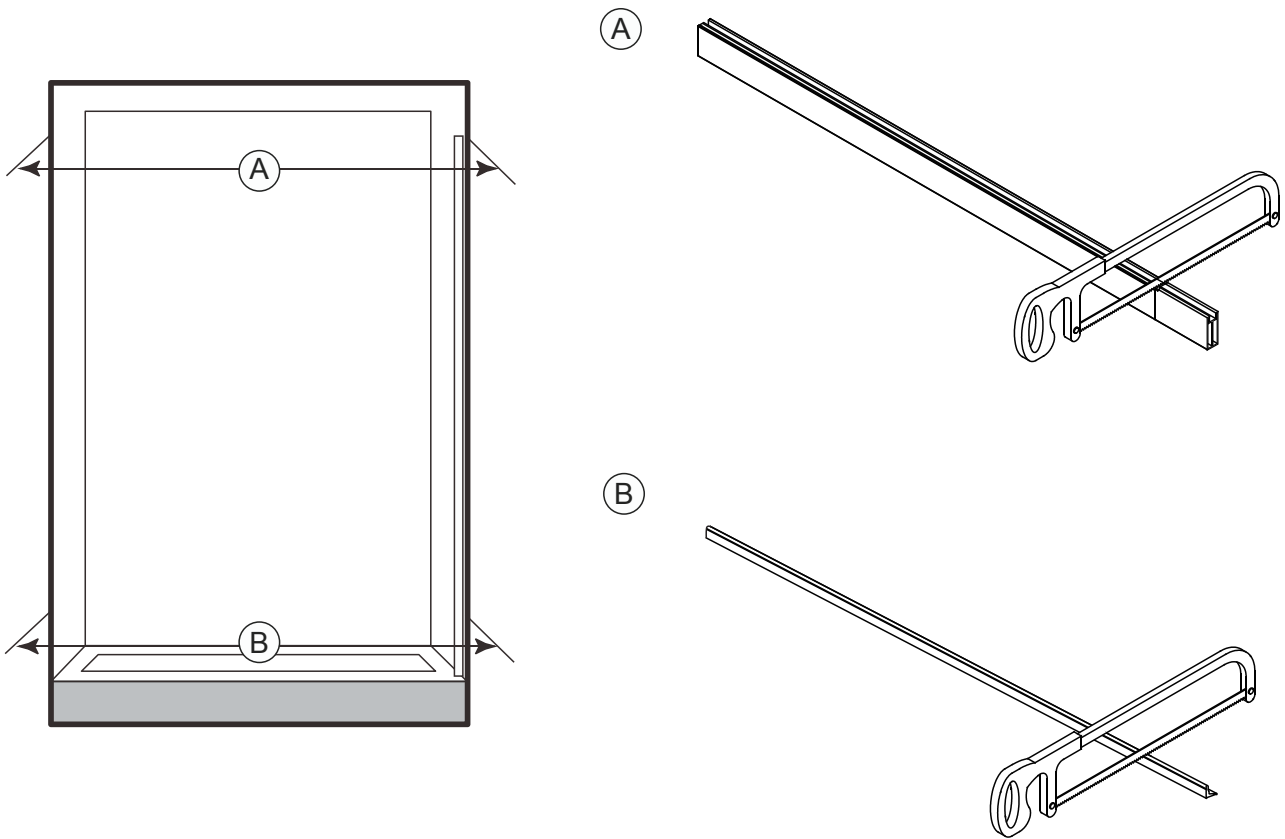


INSTALLATION STEPS

STEP 2

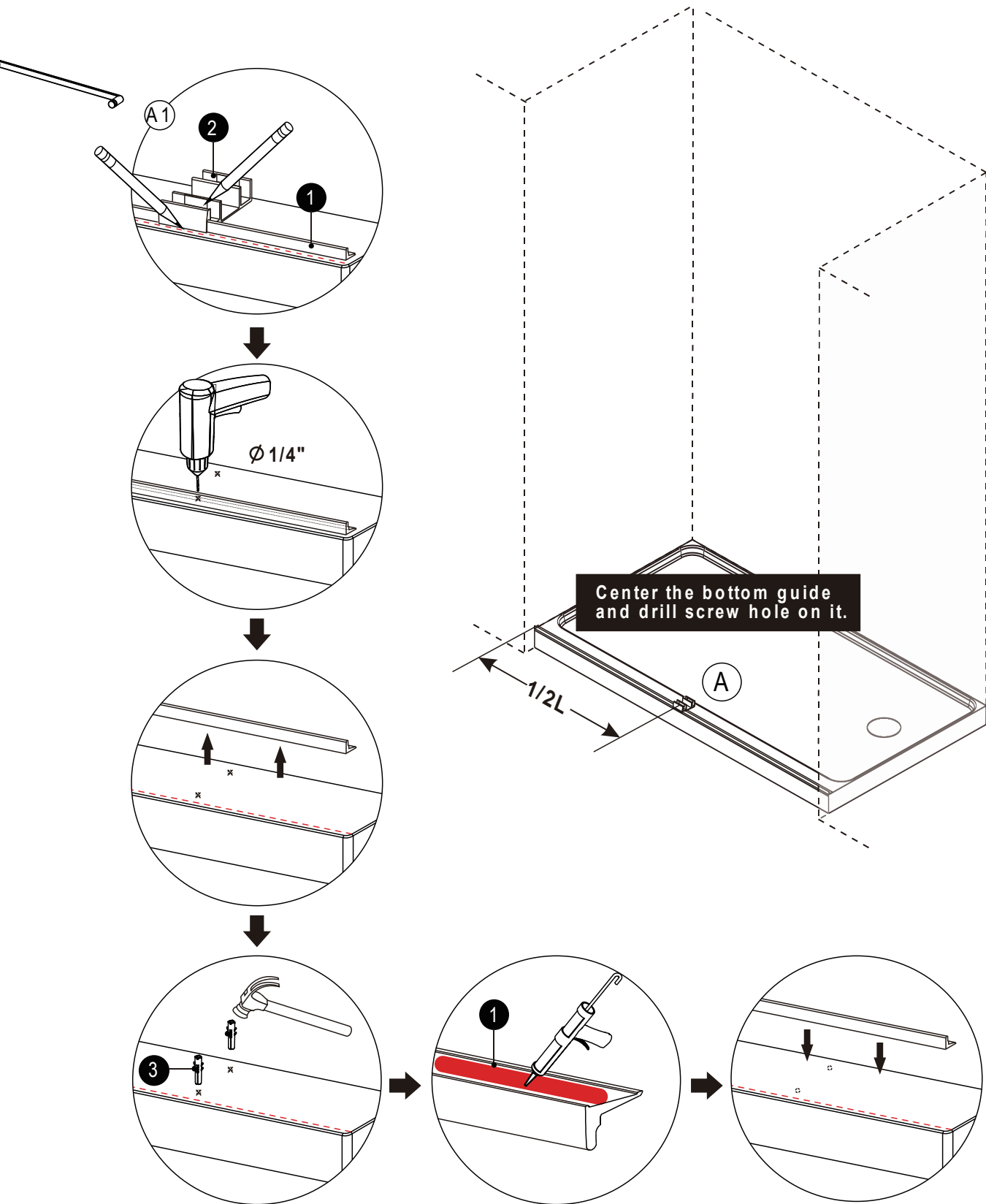
Model Width - Finished Opening(Width) = Cut Off Length

Finished Opening (Width)	55"	56"	57"	58"	59"
Cut Off Length	4"	3"	2"	1"	—



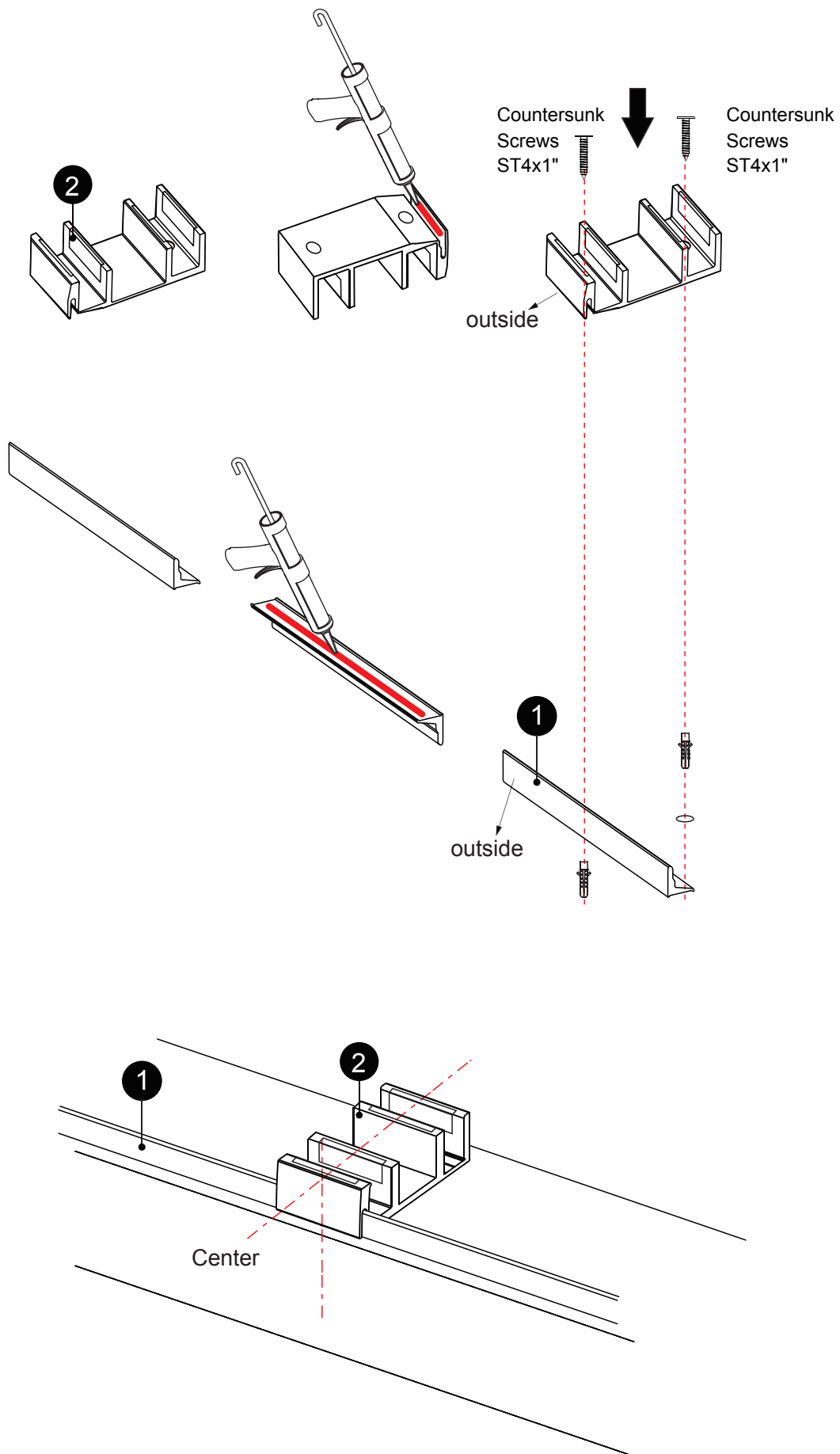
INSTALLATION STEPS

STEP 3A



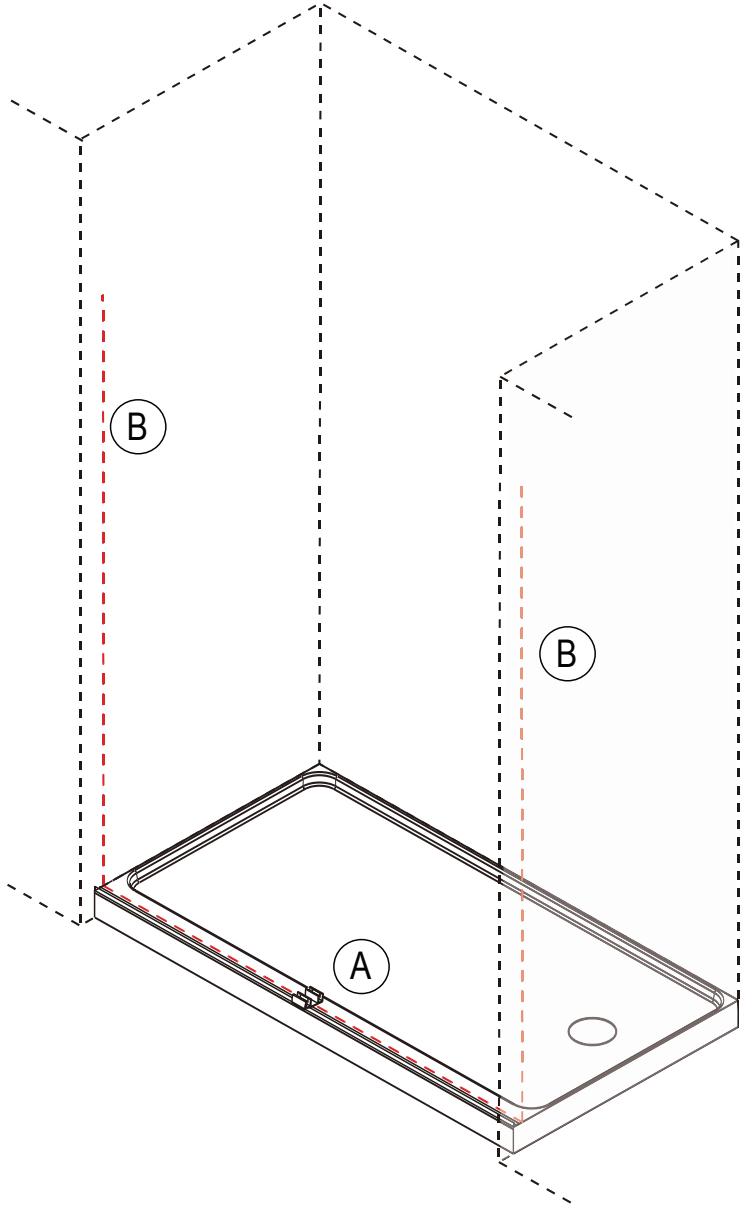
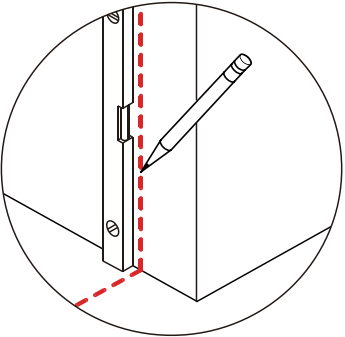
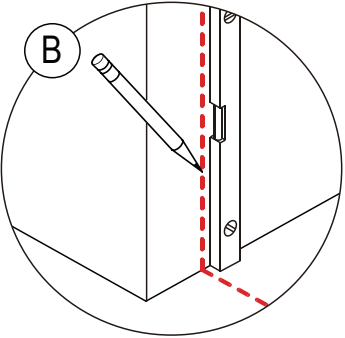
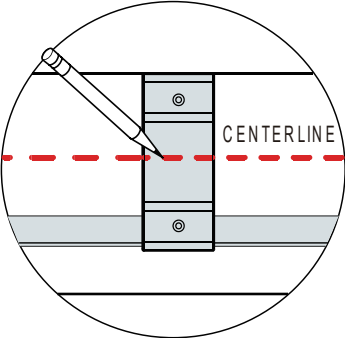
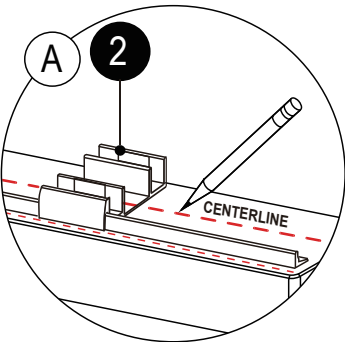
INSTALLATION STEPS

STEP 3B



INSTALLATION STEPS

STEP 4

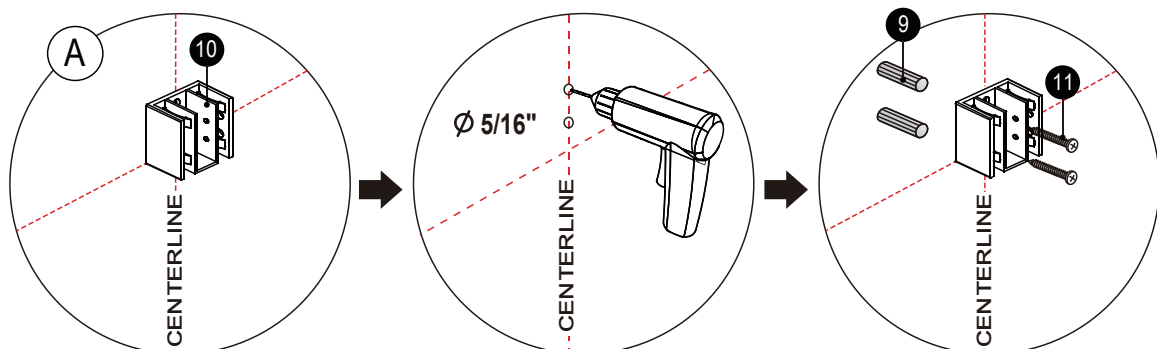
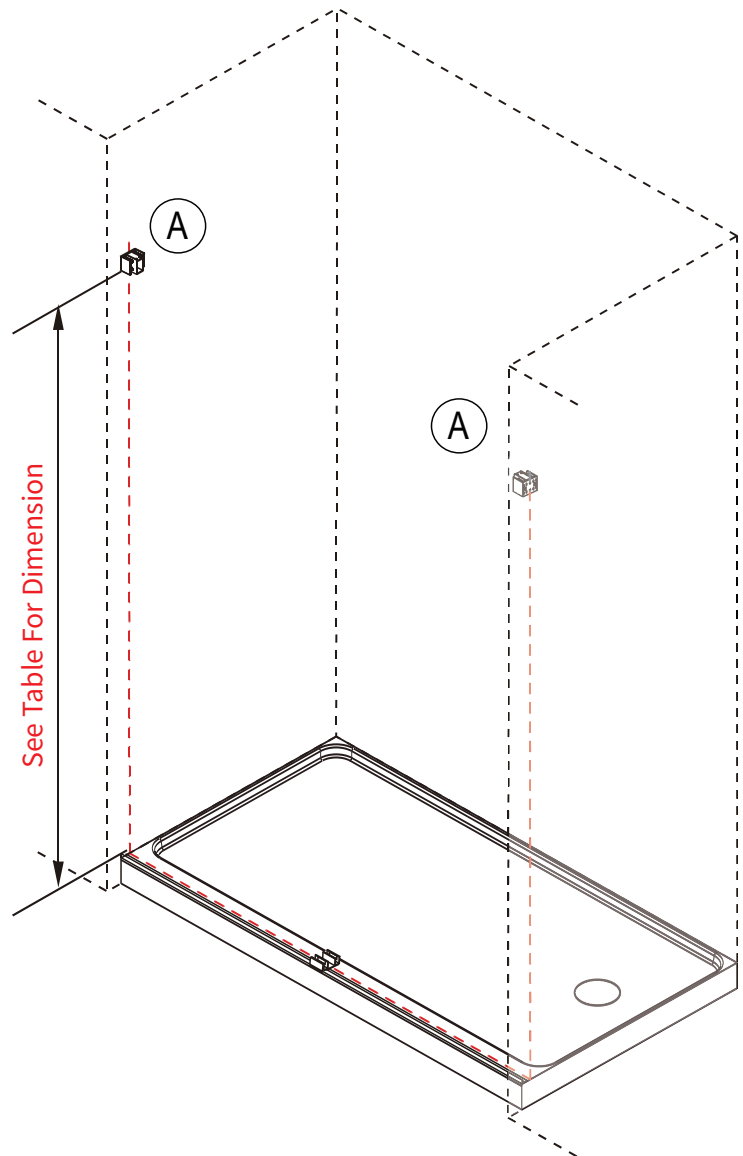


INSTALLATION STEPS

STEP 5

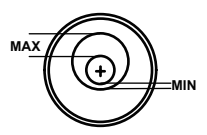
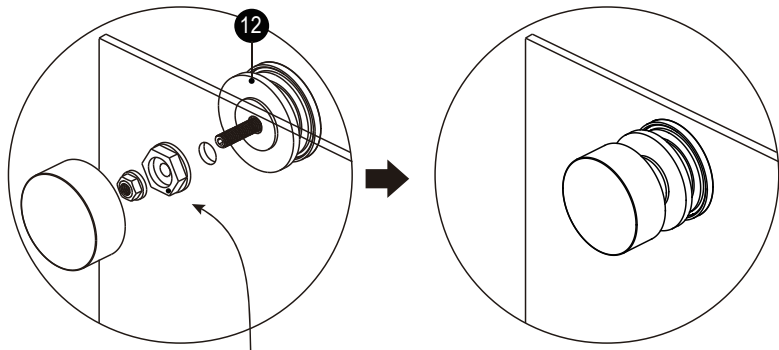
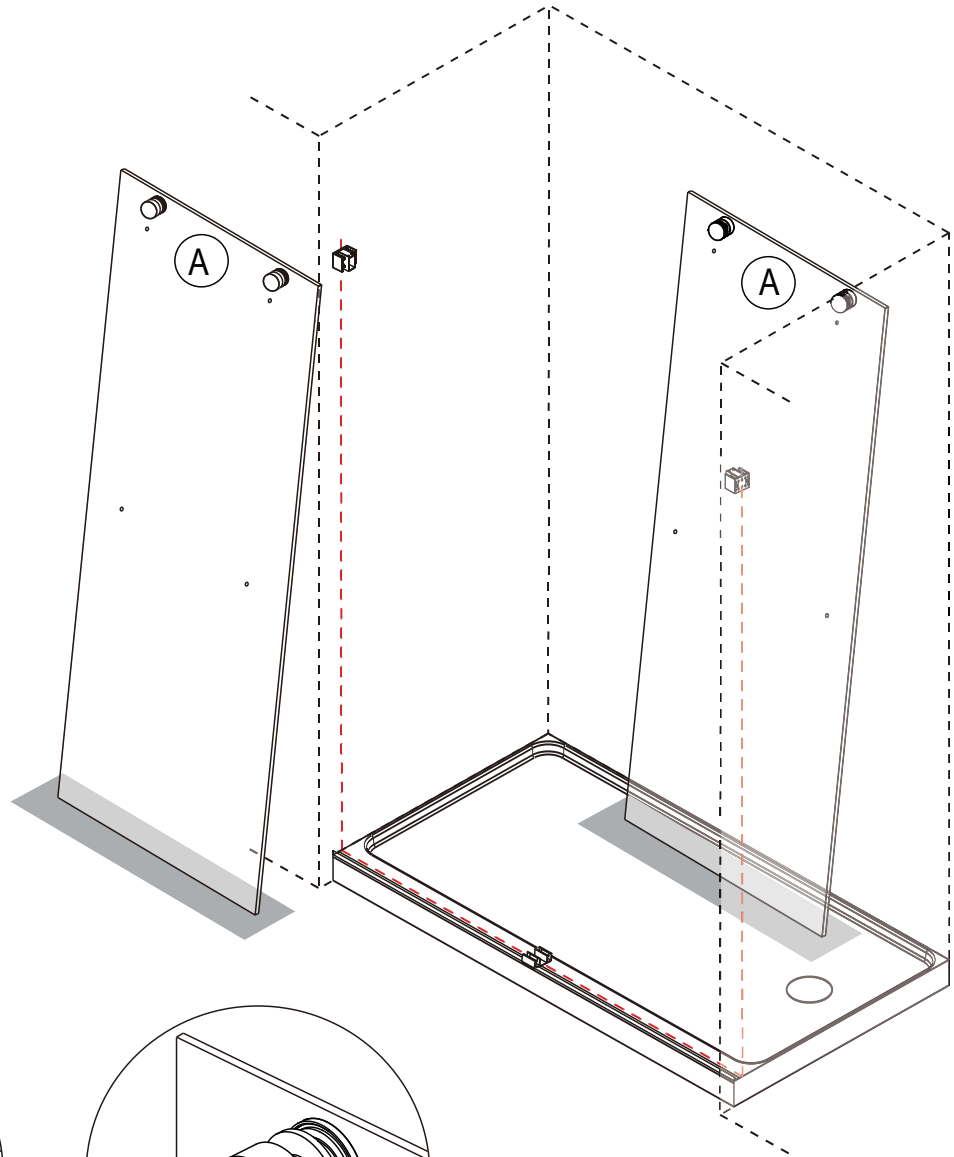
Table

Shower Height	Wall Bracket Bottom Line Height
76"	71"



INSTALLATION STEPS

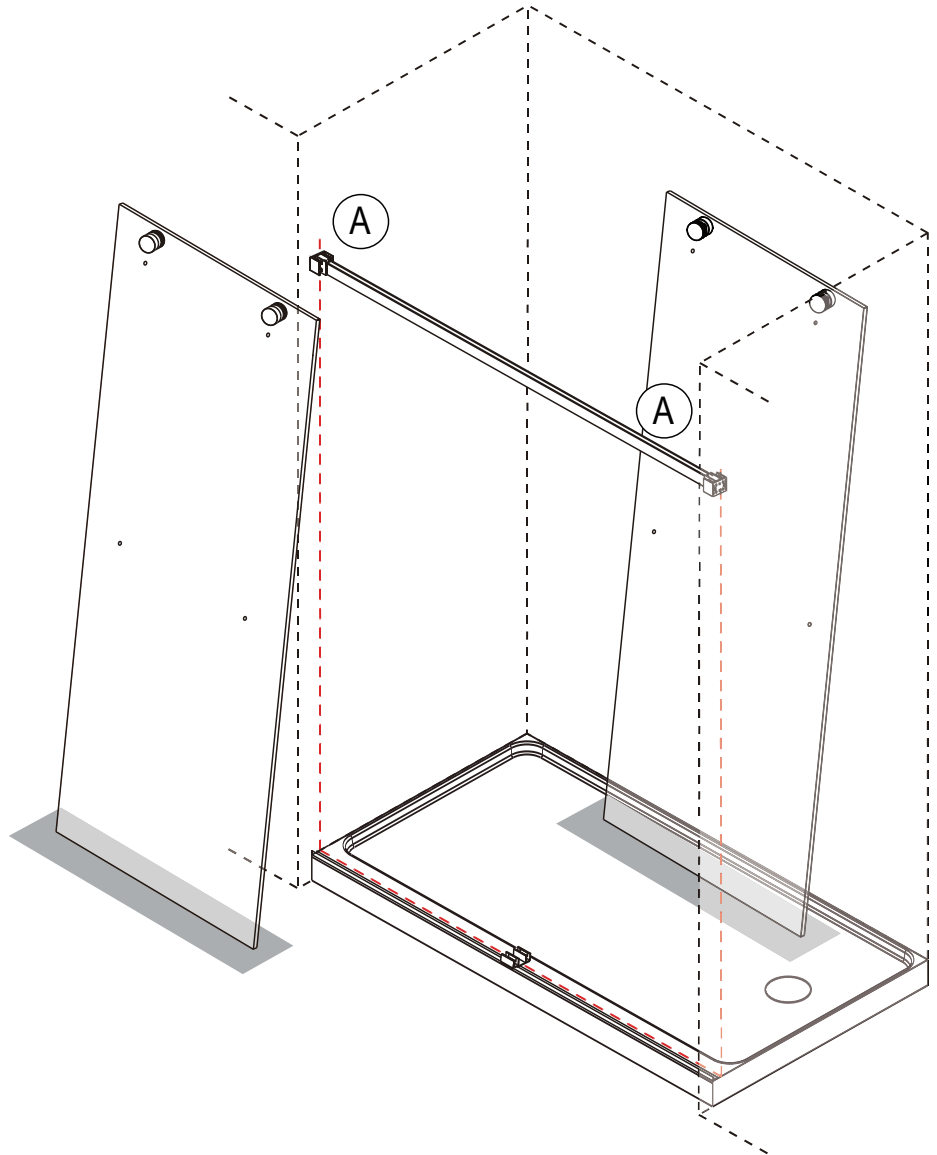
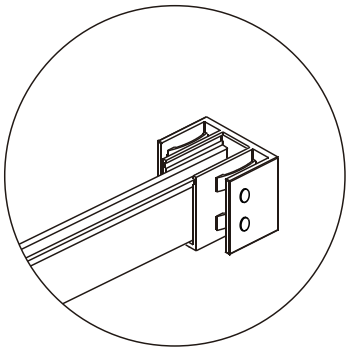
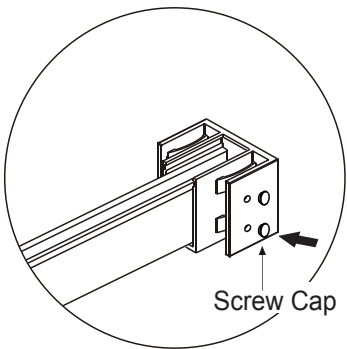
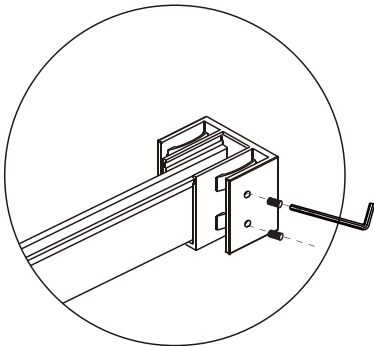
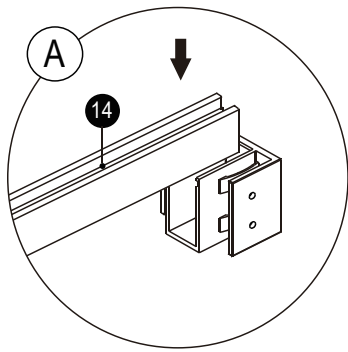
STEP 6



Eccentric nut for roller adjustment.
(Raises and lowers the roller.)
Minimum spacing should be oriented
towards the bottom as shown.
Adjustments can be made after the
door installation.

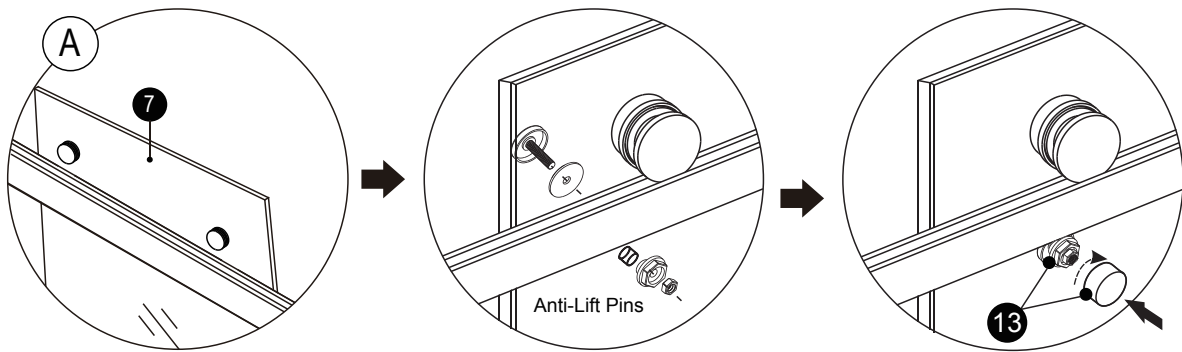
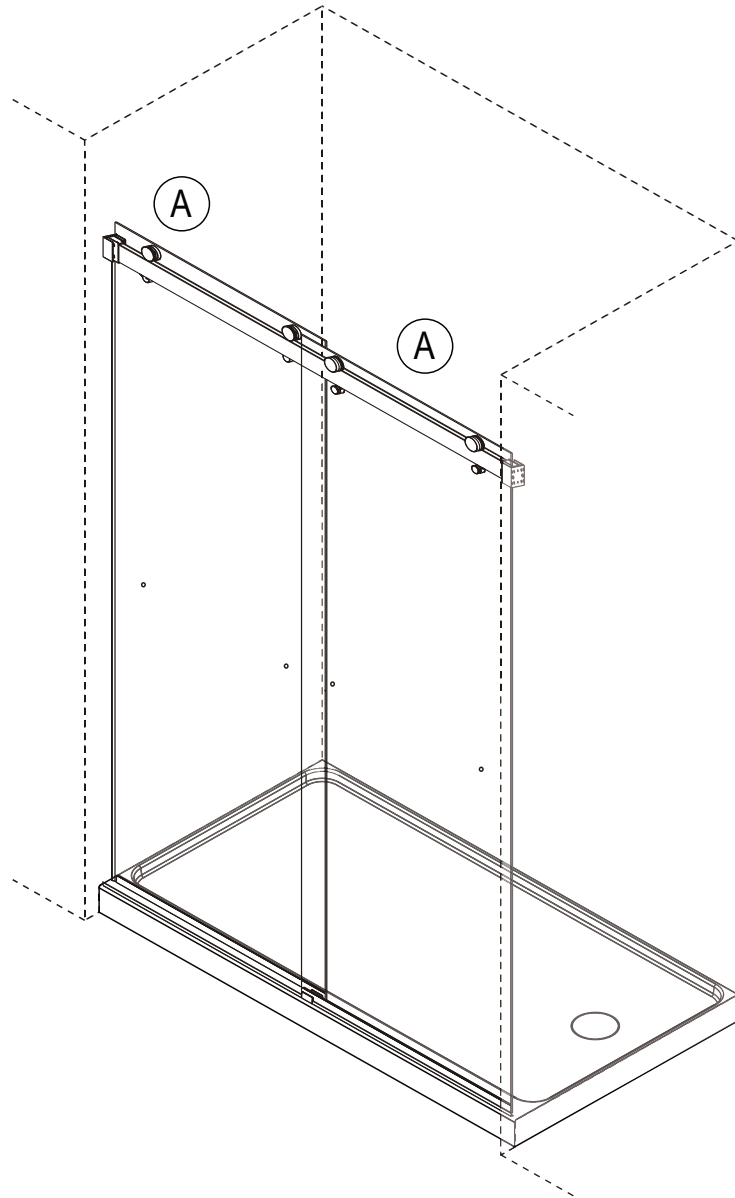
INSTALLATION STEPS

STEP 7



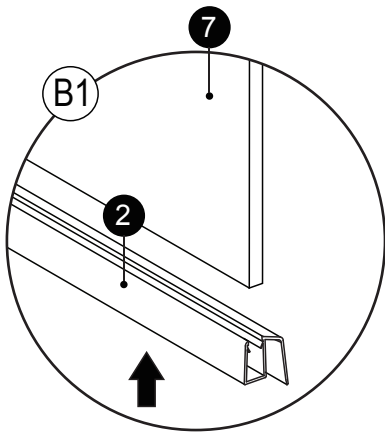
INSTALLATION STEPS

STEP 8A



INSTALLATION STEPS

STEP 8B

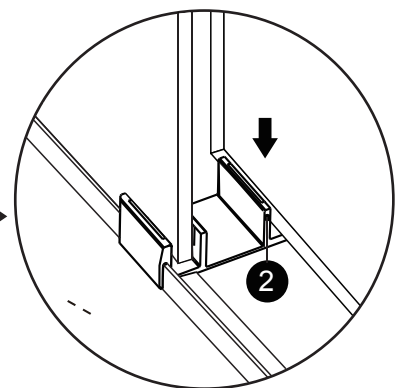
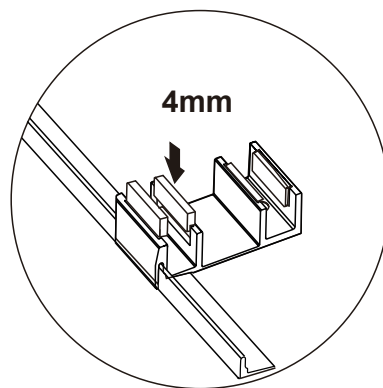
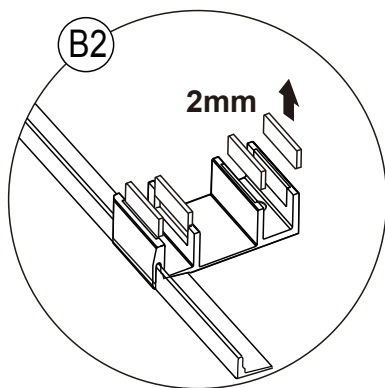
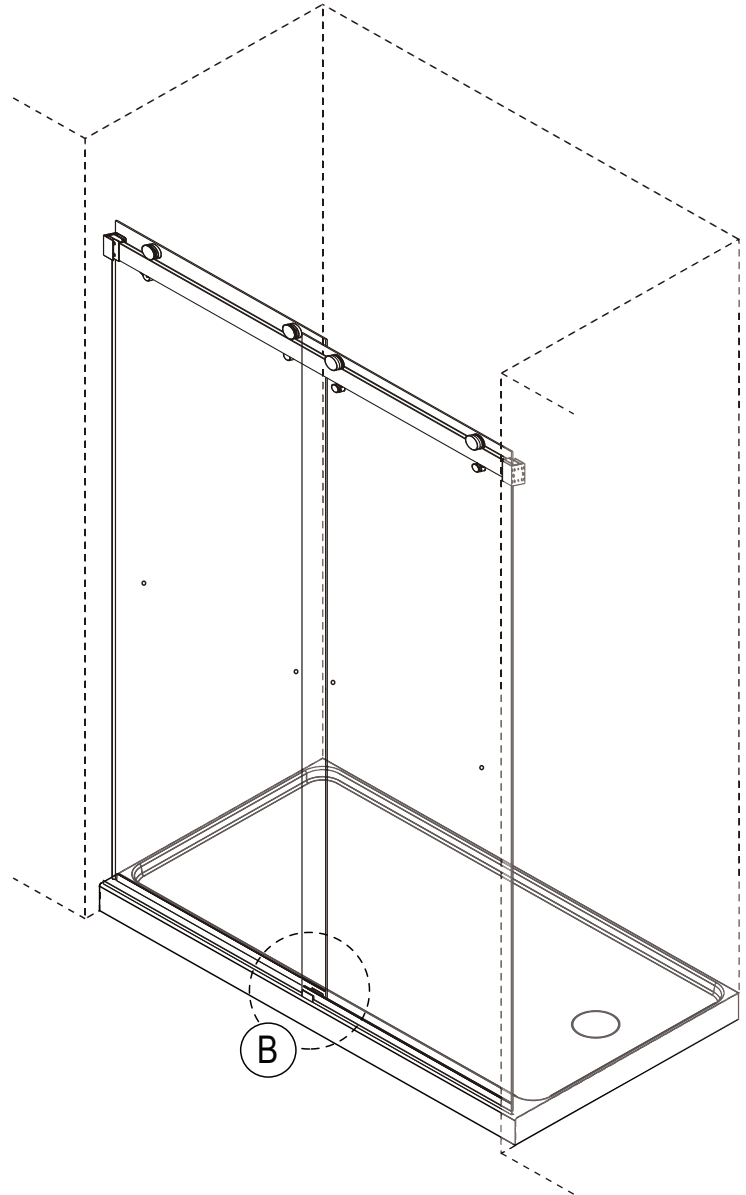


REMARK:

B1. Refer to B1 for install with water deflectors on the bottom of glass panel.

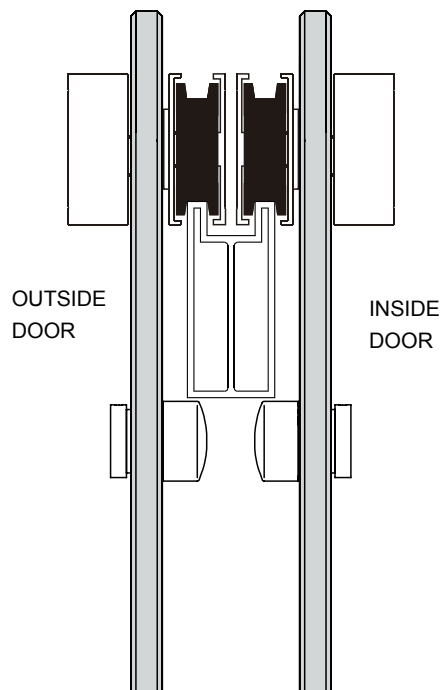
B2. Refer to B2 for install without water deflectors remove 2mm plastic piece and replace with 4mm plastic piece.

WARMLY NOTICE:
Sliding without water deflectors is smoother.
However, there will be a potential water leak.



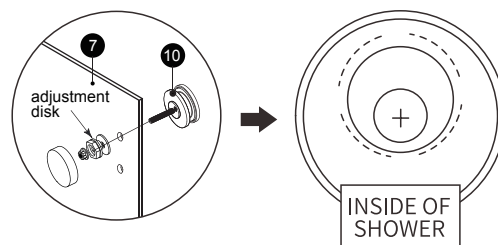
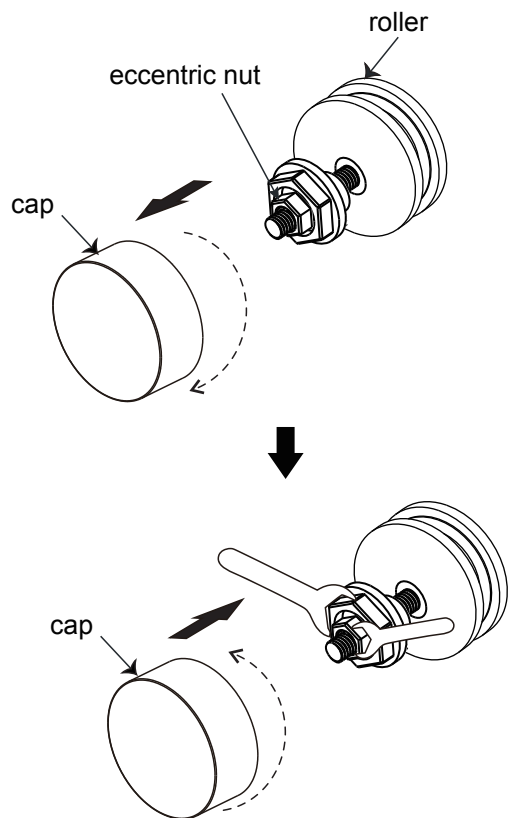
INSTALLATION STEPS

STEP 9



Carefully slide the door toward the wall and check the door is sliding smoothly.

Adjust if necessary using offset in rollers, so that the sliding door is parallel to the tray.

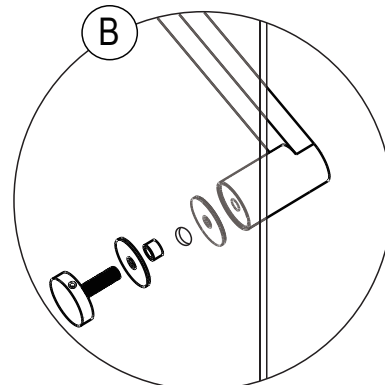
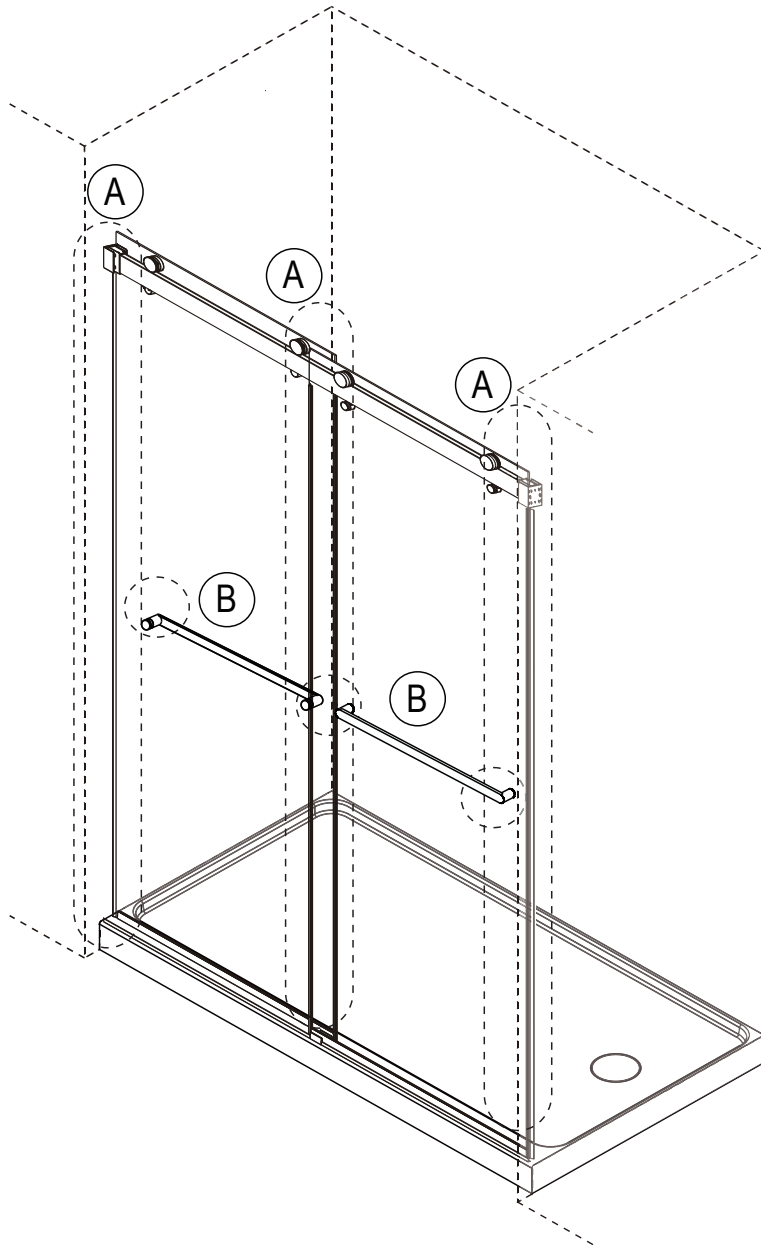
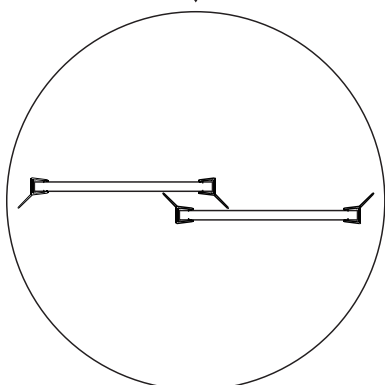
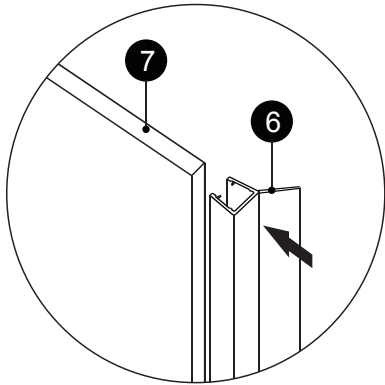
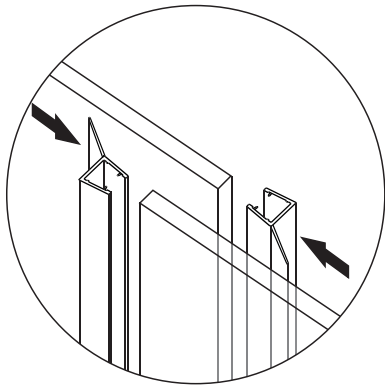
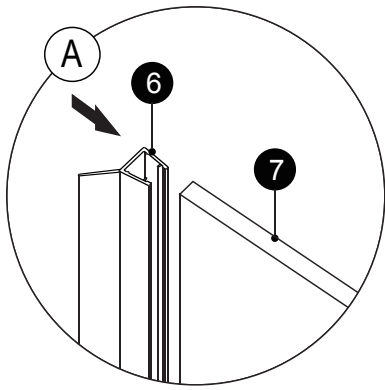


HOW TO ADJUST

- Step 1 :** Remove cap from roller
- Step 2 :** Loosen center bolt with hex wrench
- Step 3 :** Rotate to adjust panel angle with hex wrench
- Step 4 :** Tighten center bolt

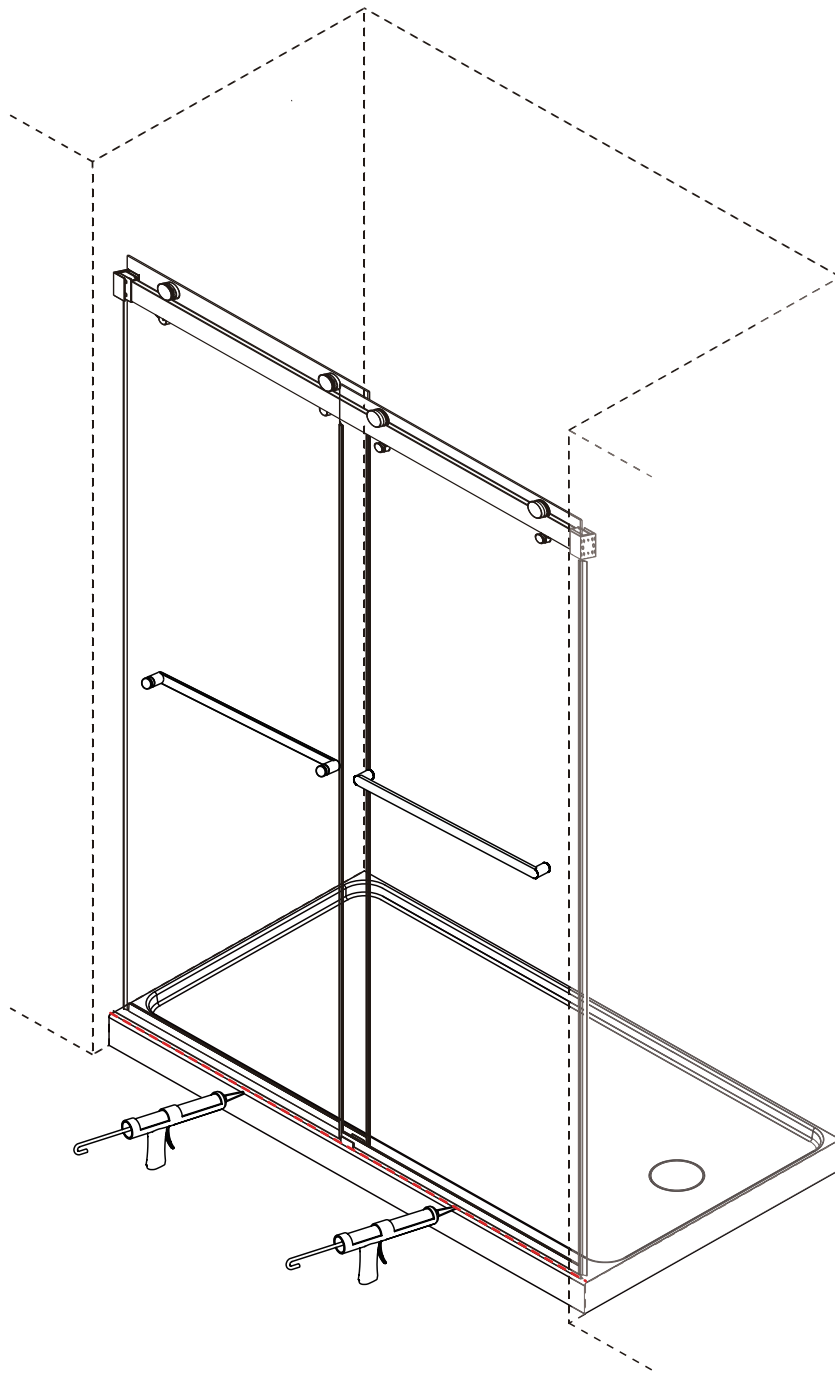
INSTALLATION STEPS

STEP 10



INSTALLATION STEPS

STEP 11



24 HOURS

Apply clear silicone caulking along the wall and threshold of the shower door inside and outside.

(make sure you) wait 24hours before using the shower. Do not allow water to directly hit door.