

---

## ASSEMBLY INSTRUCTIONS

Dear Customer, Thank you for your order.

If you have questions or quality problems during the installation and use, please email us at first thought your order or email to us.

We will reply you within 12 hours and solve your problem as soon as we can. We hope our products will give you a great shopping experience. Thank you!

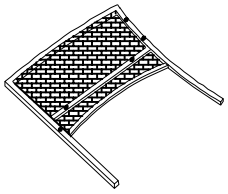
Just a reminder: Do not fully tighten the bolts when installing. Please tighten after installing. If you find that the chair legs are uneven after installation, please loosen all screws, lift the chair to a height of 50-100cm(1.6-3.2feet), then drop the chair to the ground to ensure that all four legs are level. Afterward, tighten the bolts.

Hope it will be helpful for you  
Have a nice day!

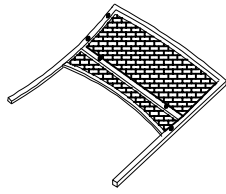
### Note!!!

When you open the packages and find broken glass, please contact us immediately.

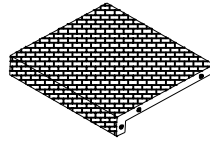
# PARTS AND HARDWARE



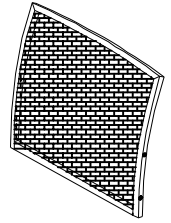
**A**  
3 PCS  
Right Arm



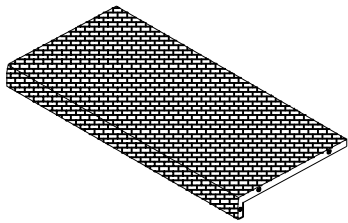
**B**  
3 PCS  
Left Arm



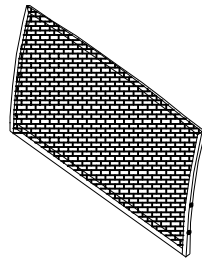
**C**  
2 PCS  
Single Seat



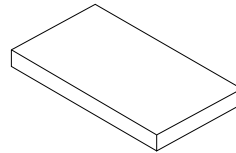
**D**  
2 PCS  
Single Backrest



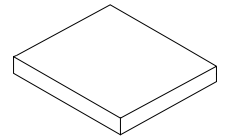
**E**  
1 PC  
Sofaseat



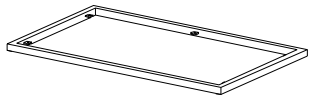
**F**  
1 PC  
Backrest



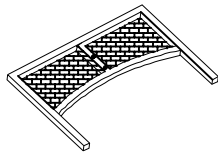
**G**  
1 PC  
Cushion



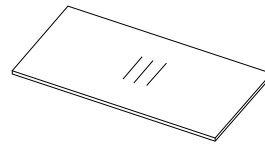
**H**  
2 PCS  
Single Cushion



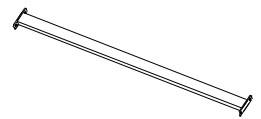
**I**  
1 PC  
Table Top



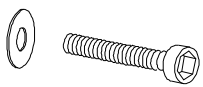
**J**  
2 PCS  
Table Leg



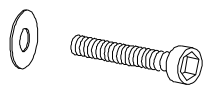
**K**  
1 PC  
Table Glass



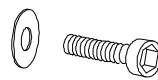
**L**  
1 PC  
Table Link



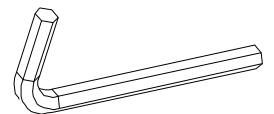
M6X40 33X



M6x30 6x

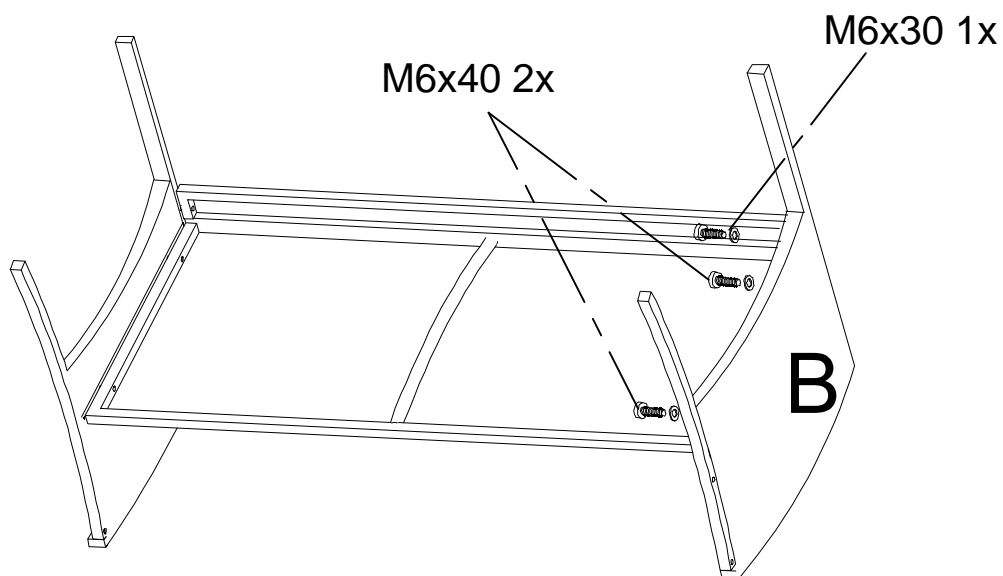
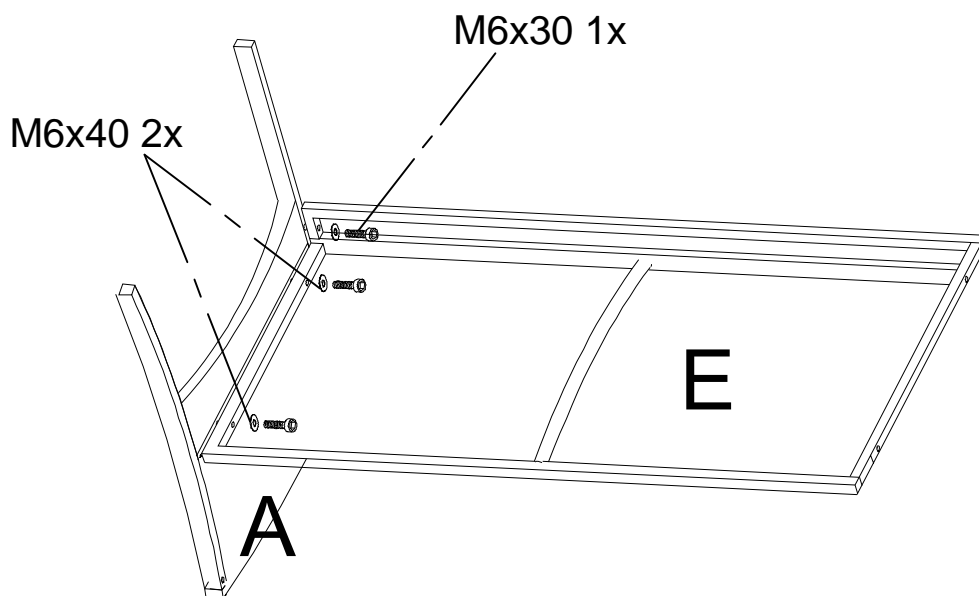
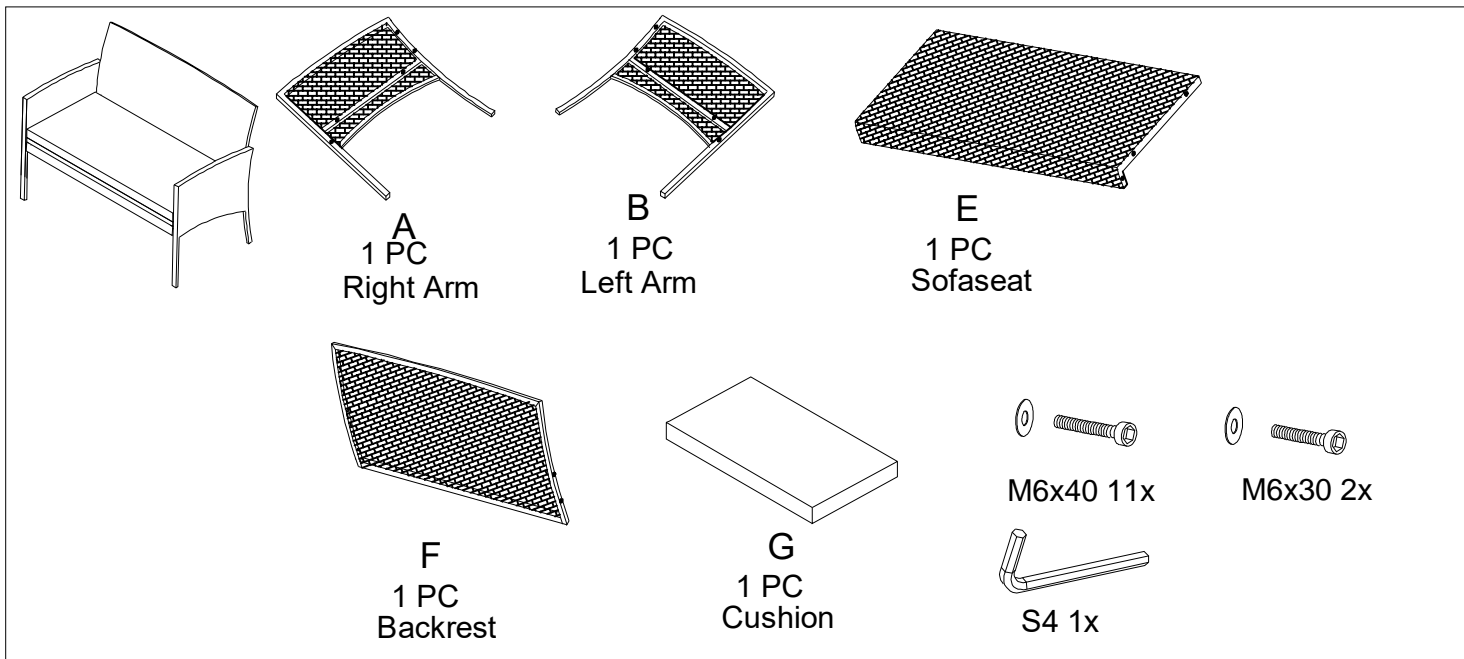


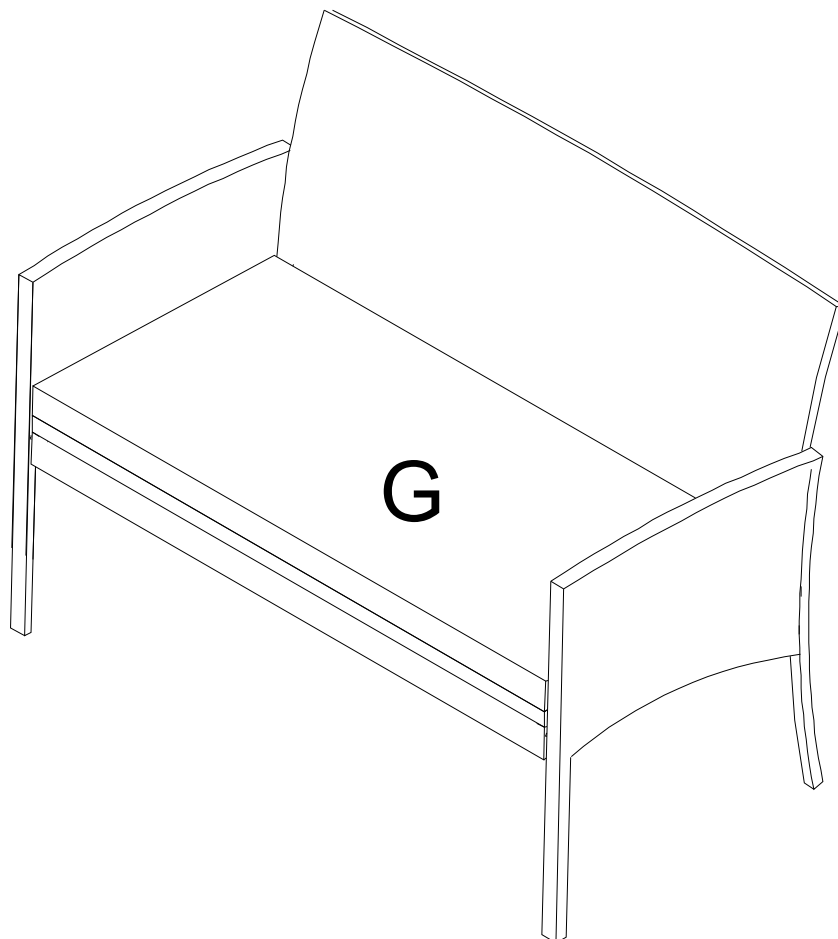
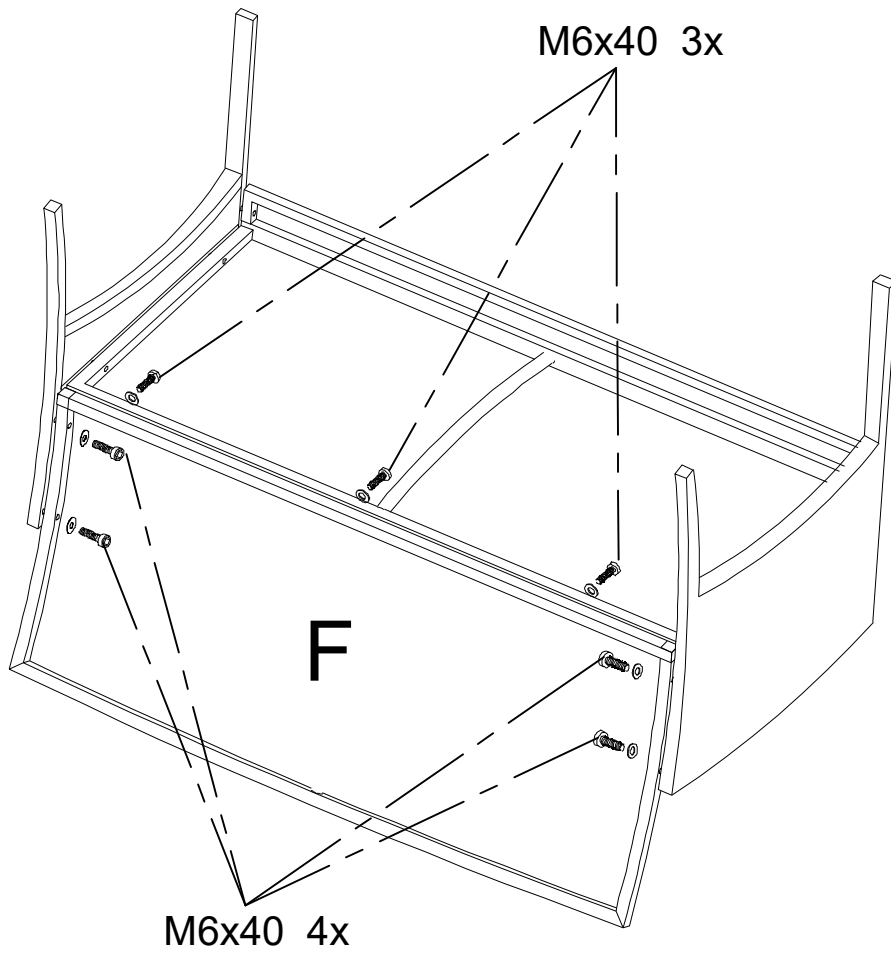
M6X20 4X



S4 1x

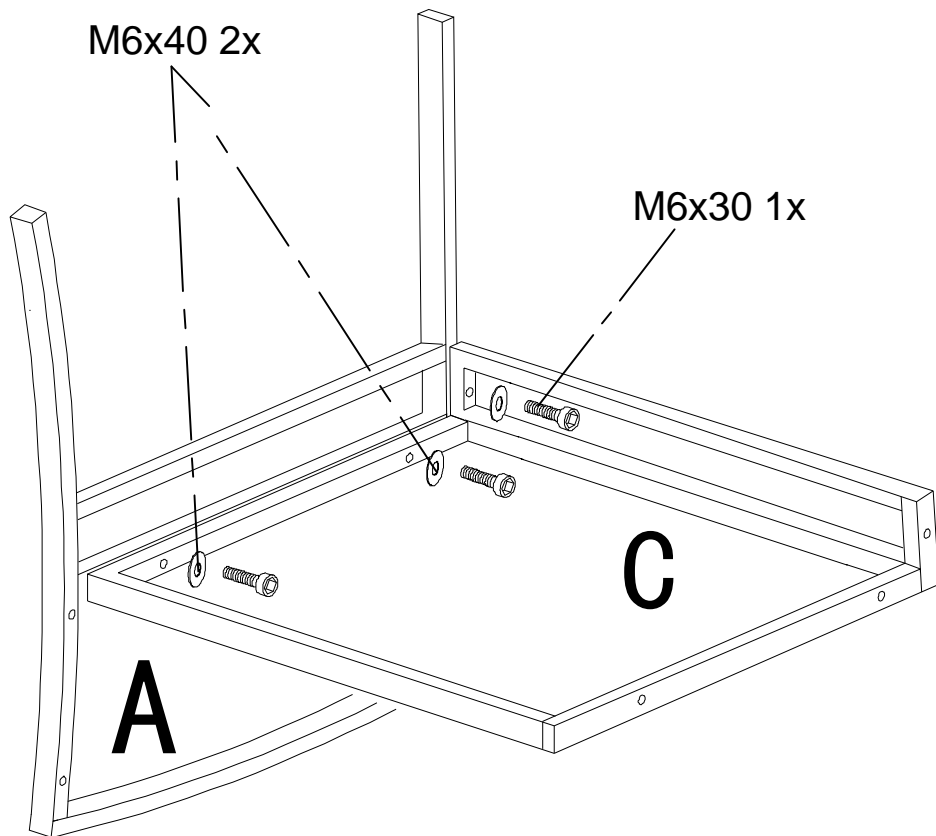
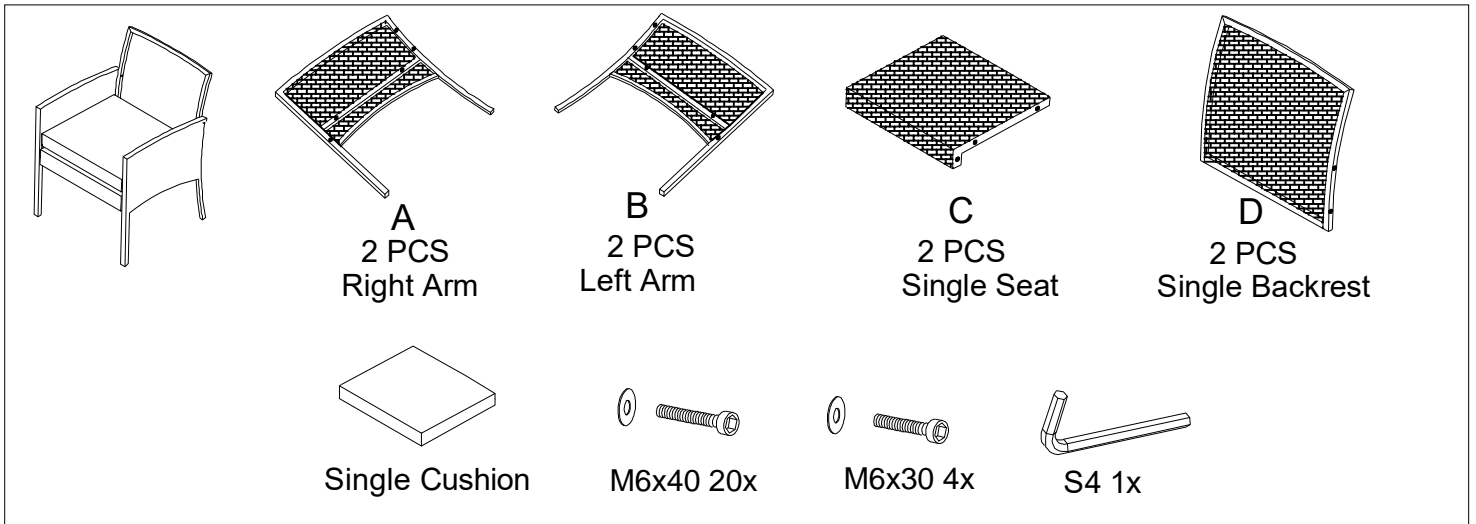
# LOVESOFA Do not fully tighten bolts until assembly is complete.

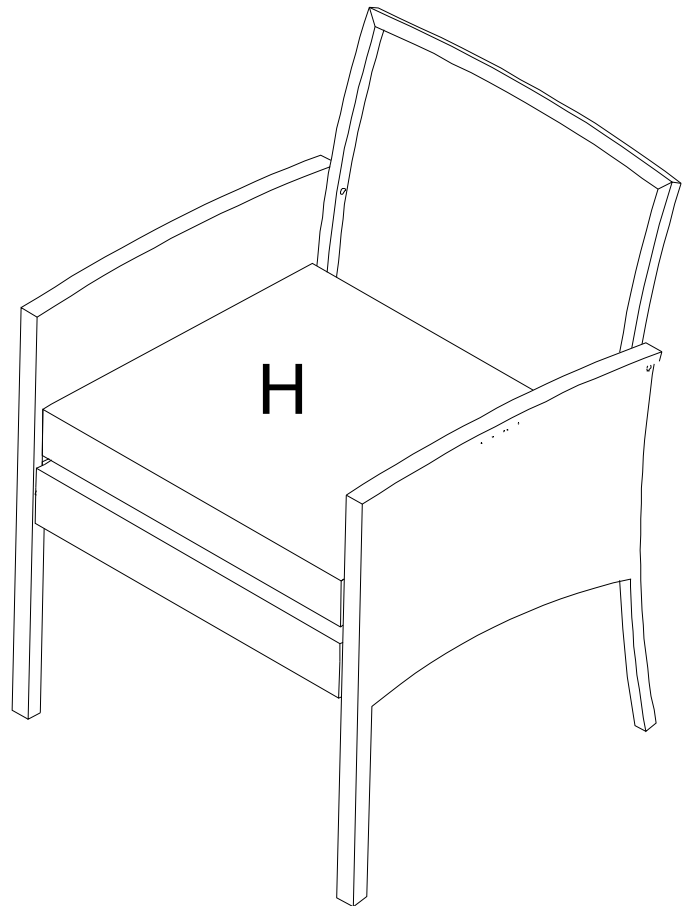
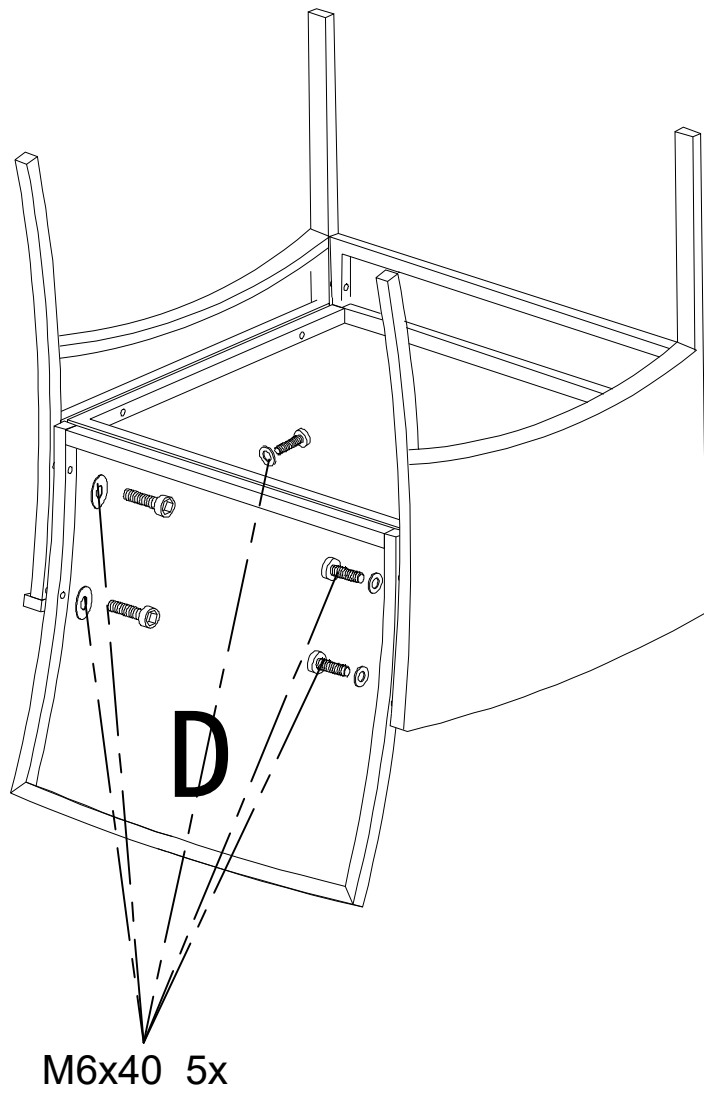
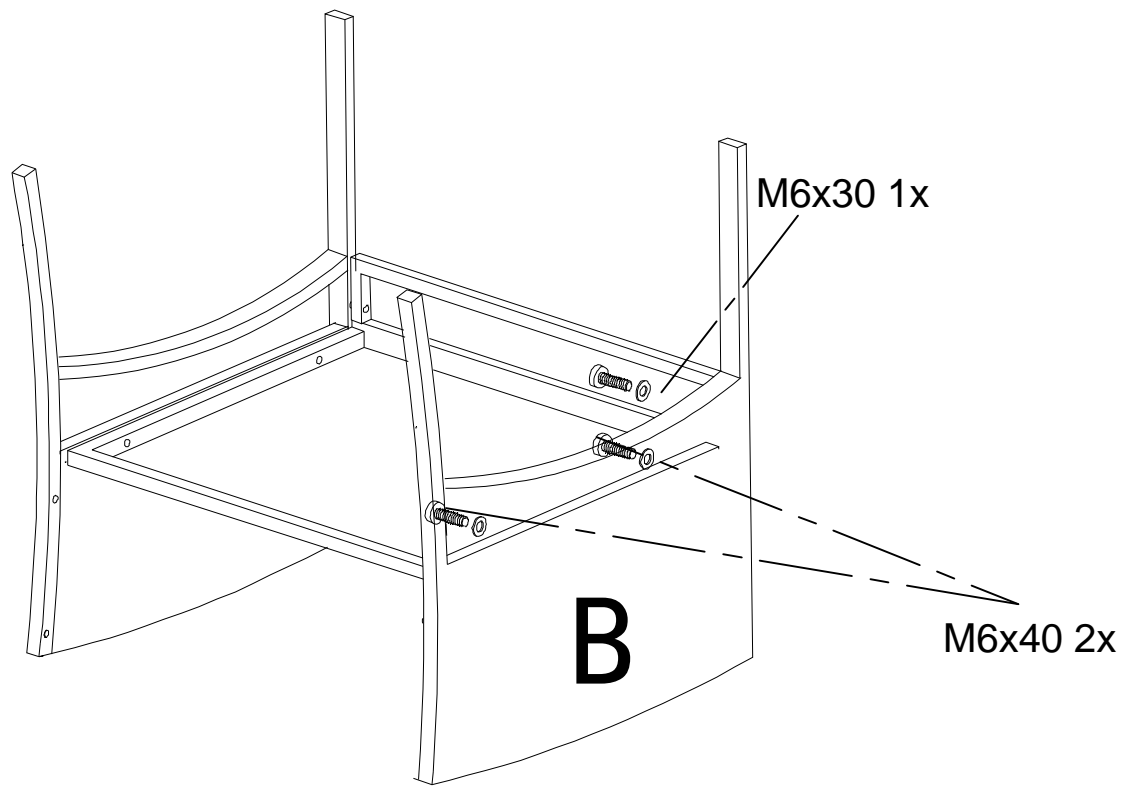




# SINGLE SOFA

Do not fully tighten bolts until assembly is complete.





# COFFEE TABLE

Do not fully tighten bolts until assembly is complete.

