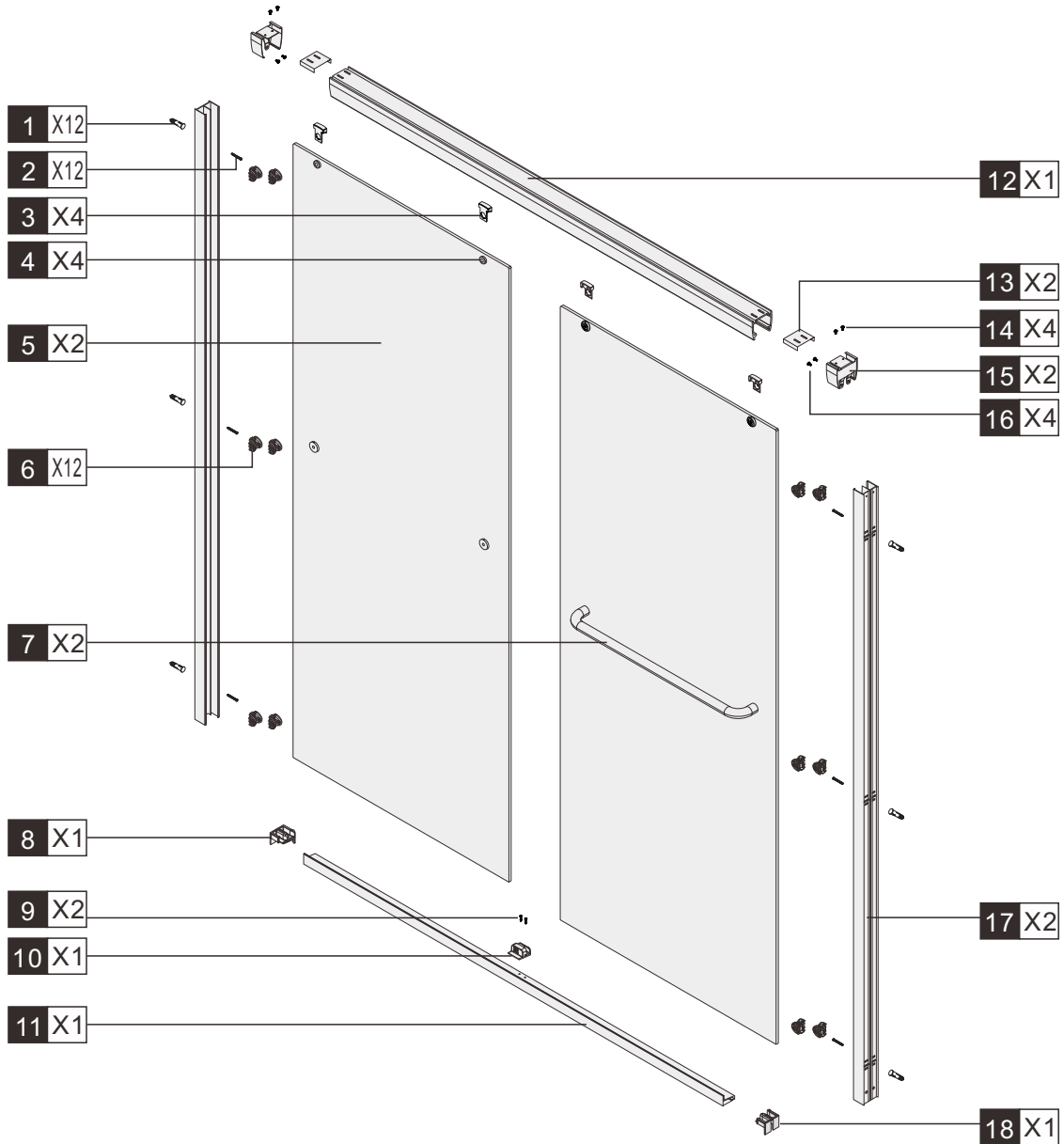


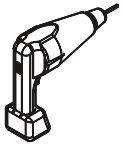
PARTS LIST



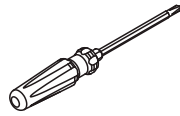
| NO. | Product name | Qty |
|-----|---------------------------|-----|
| 1 | Wall plug | 12 |
| 2 | M4*35 screws | 12 |
| 3 | Anti jump components | 4 |
| 4 | Roller | 4 |
| 5 | Glass door panel | 2 |
| 6 | Profile guider | 12 |
| 7 | Handle | 2 |
| 8 | Bottom rail guider (left) | 1 |
| 9 | M4*12 screws | 2 |

| NO. | Product name | Qty |
|-----|----------------------------|-----|
| 10 | Bottom rail center guider | 1 |
| 11 | Bottom rail | 1 |
| 12 | Top rail | 1 |
| 13 | Cover | 2 |
| 14 | M4*12 screws | 4 |
| 15 | Wall bracket | 2 |
| 16 | M4*6 screws | 4 |
| 17 | Wall profile | 2 |
| 18 | Bottom rail guider (Right) | 1 |

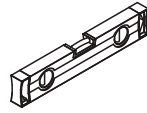
TOOLS AND MATERIALS REQUIRED



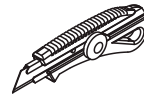
DRILL



SCREWDRIVER



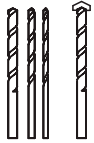
GRADIENTER



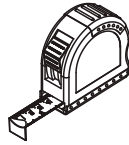
PRECISION KNIFE



SILICONE



DRILL BIT



MEASURING TAPE



SET SQUARE

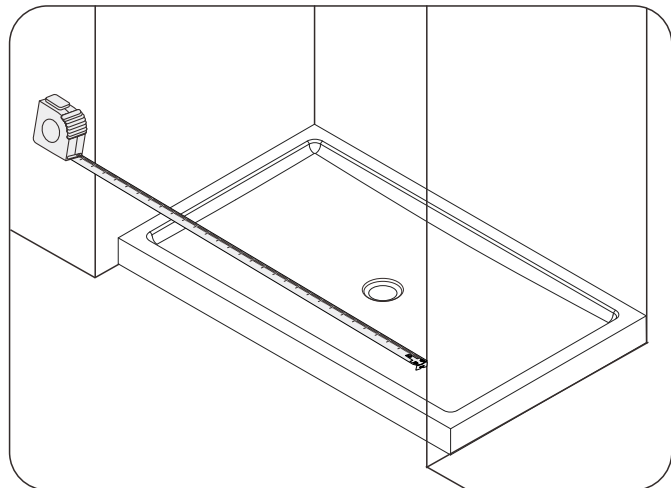
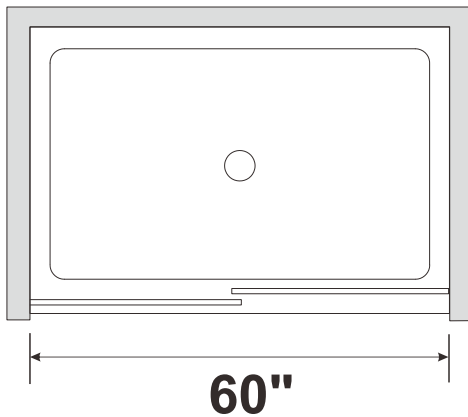


PENCIL



RUBBER HAMMER

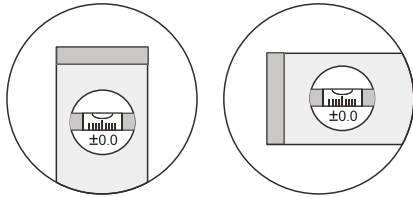
PREPARATION FOR INSTALL



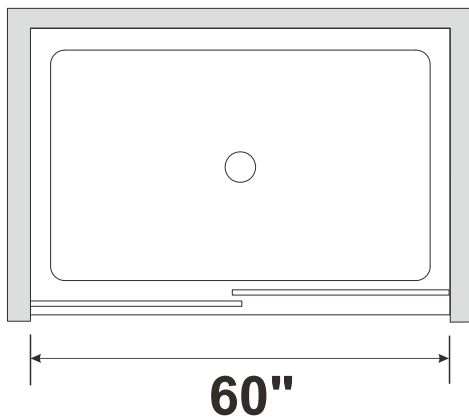
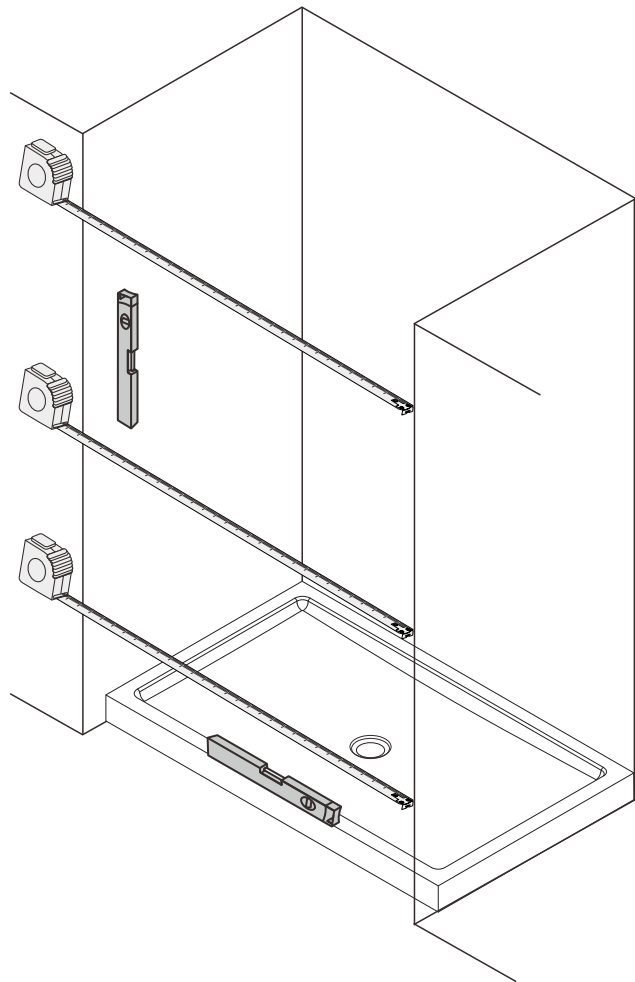
UNPACK THE SHOWER DOOR AND TAKE PHOTOS

1. Open the package and check if the glass is broken, shattered, etc.
2. Please check the hardware carefully for scratches, missing pieces, etc.
3. Any problems with the product, please take a photos and send to support@horow.com, we will be happy to solve it for you!

SITE MEASUREMENT



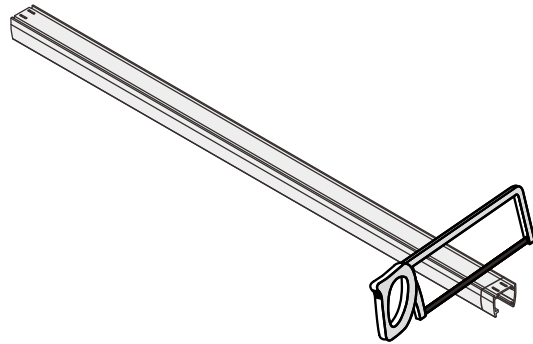
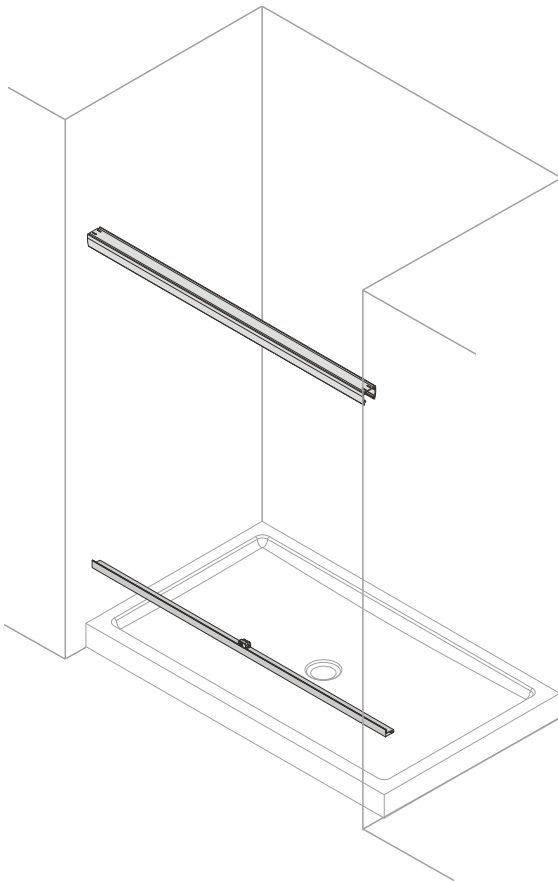
Wall must be plumb
Threshold must be level



Our product recommended to install size between 56"~60", if the size for your shower area is less than 60", please refer to the following formula to cut the top/bottom rail.

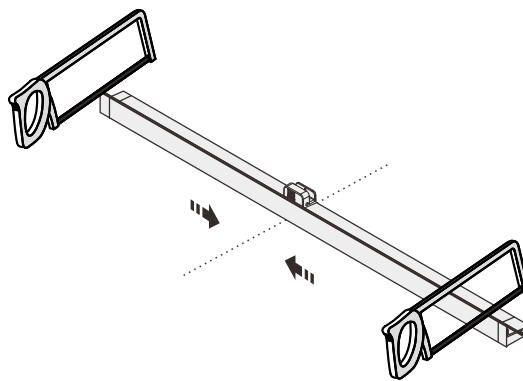
TOP/BOTTOM RAIL CUTTING

Top rail cut formula _____



| | | | | | |
|--------------------------|-----|-----|-----|-----|-----|
| Finished opening (width) | 56" | 57" | 58" | 59" | 60" |
| Cut off length | 4" | 3" | 2" | 1" | / |

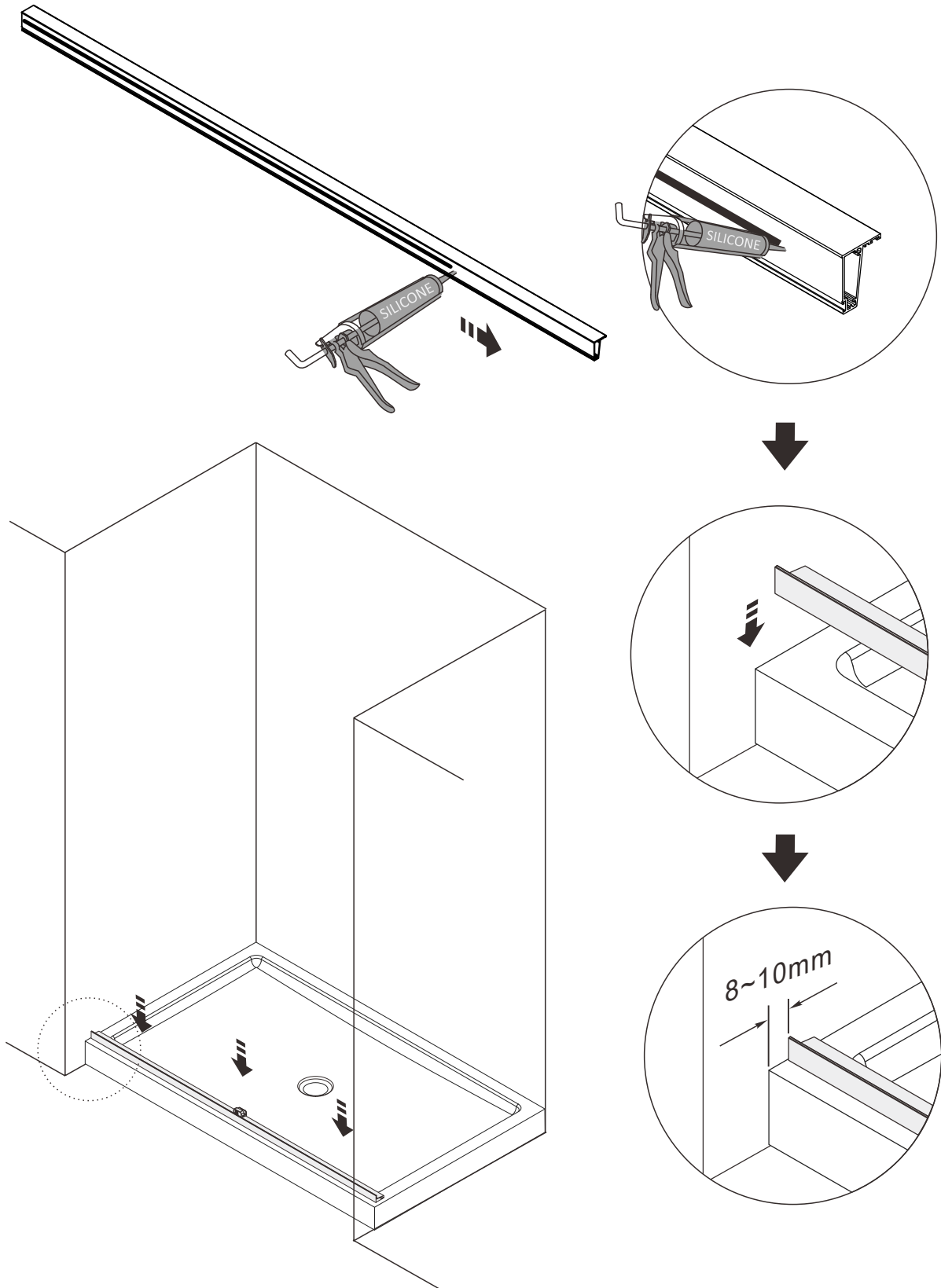
Bottom rail cut formula _____



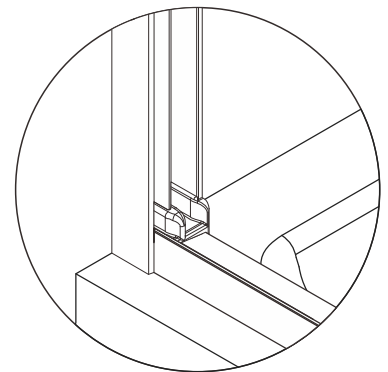
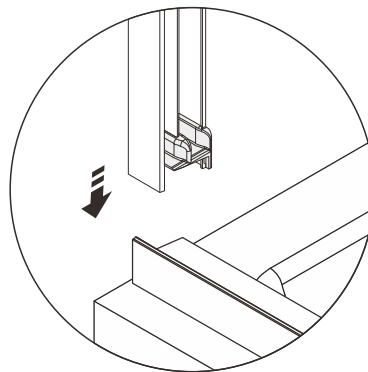
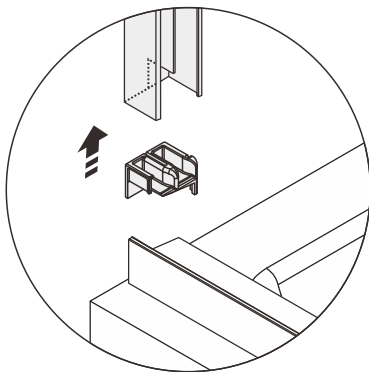
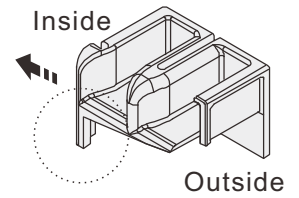
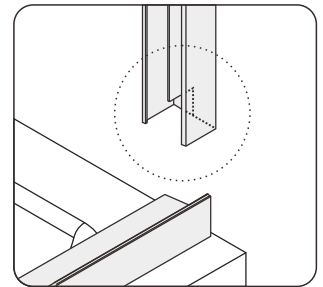
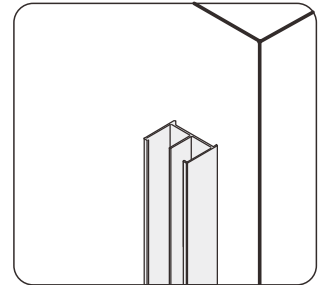
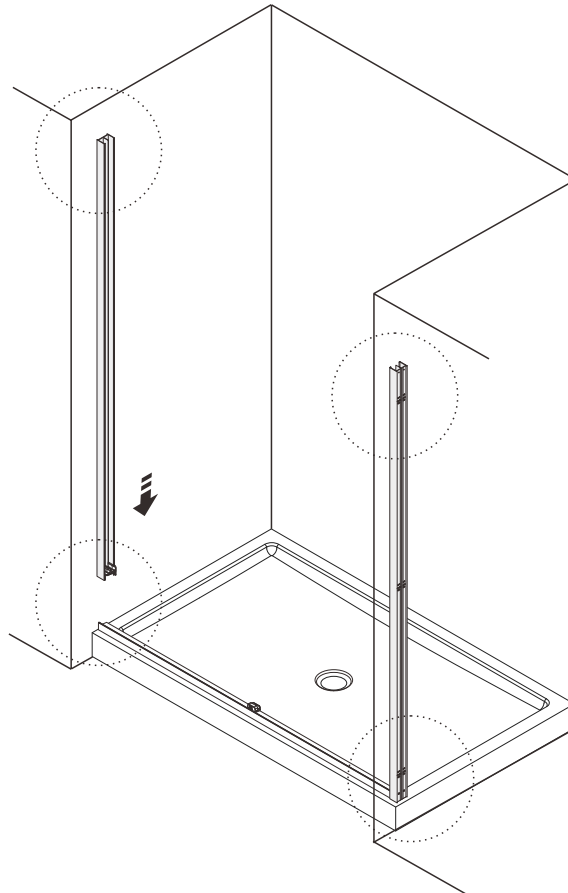
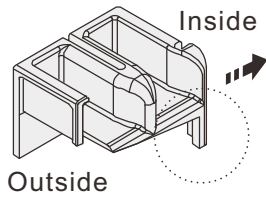
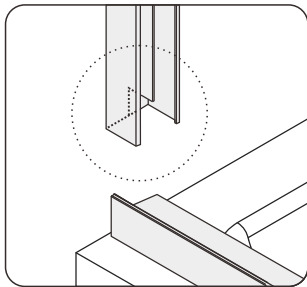
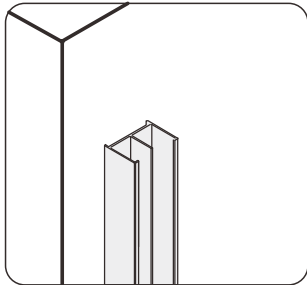
The bottom rail needs to cut in half on both sides to ensure the central guider location.

| | | | | | |
|--------------------------|-----|-----|-----|-----|-----|
| Finished opening (width) | 56" | 57" | 58" | 59" | 60" |
| Each side cut off length | 2" | 1½" | 1" | ½" | / |
| Total cut off length | 4" | 3" | 2" | 1" | / |

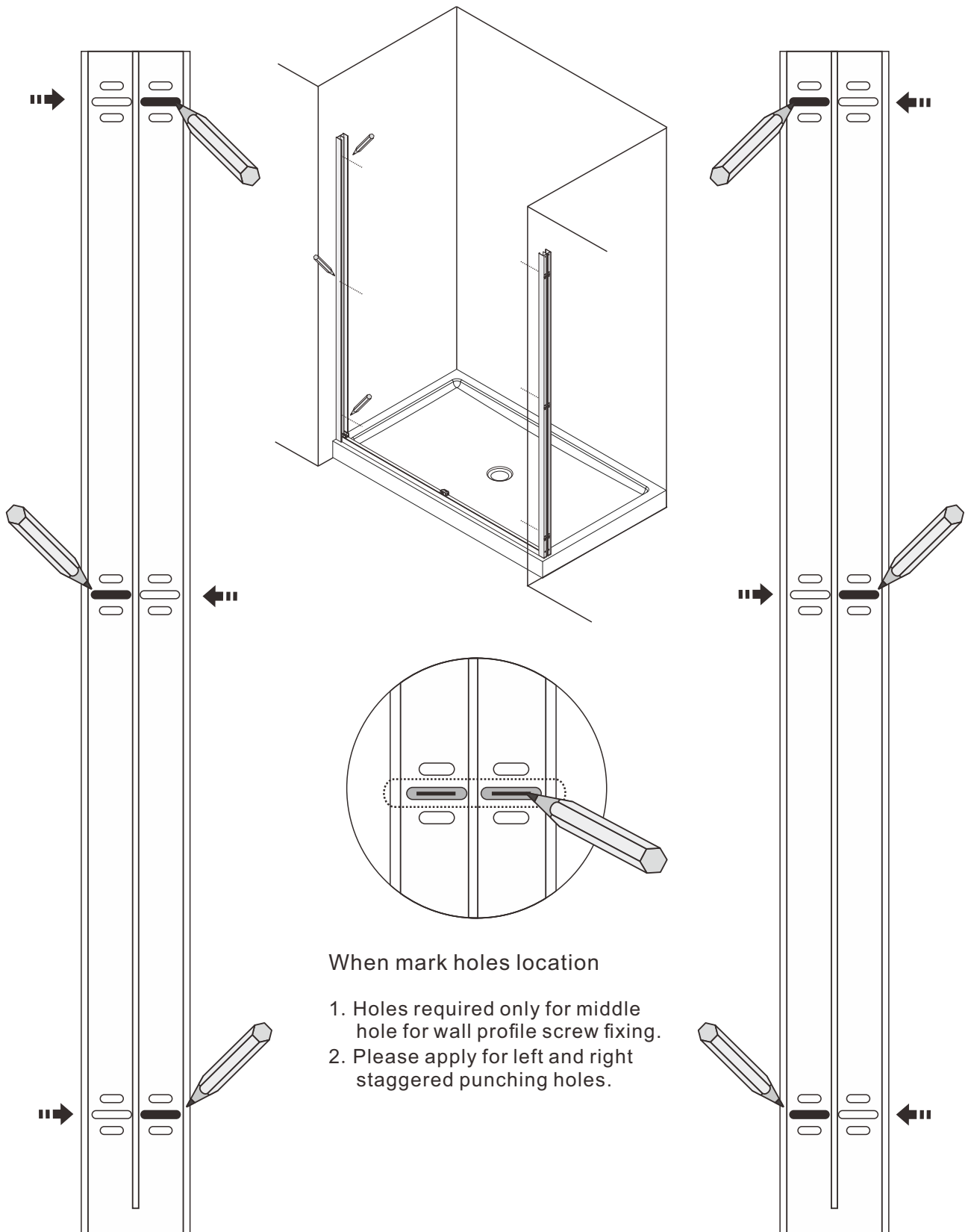
BOTTOM RAIL INSTALLATION



WALL PROFILE INSTALLATION



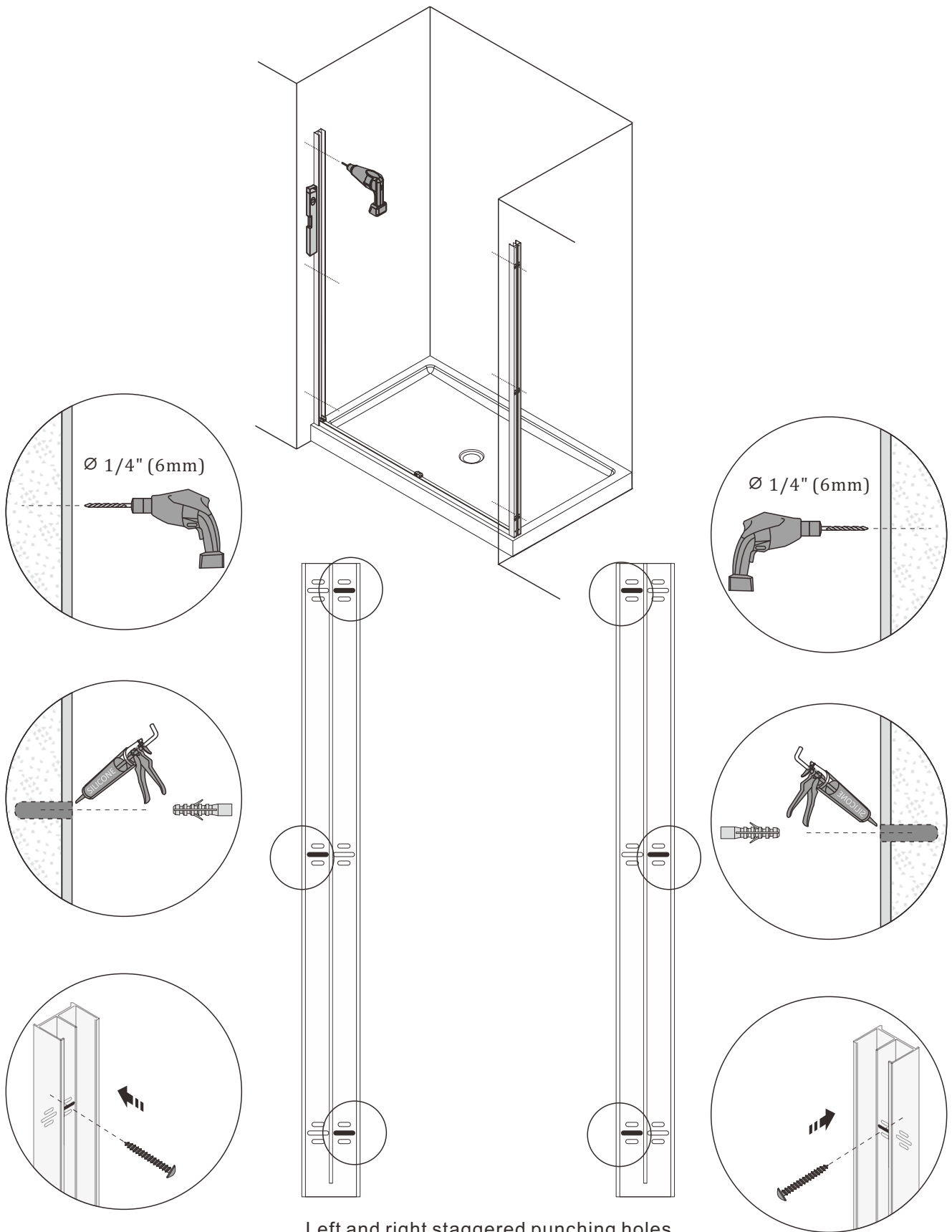
WALL PROFILE INSTALLATION



When mark holes location

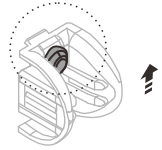
1. Holes required only for middle hole for wall profile screw fixing.
2. Please apply for left and right staggered punching holes.

WALL PROFILE INSTALLATION

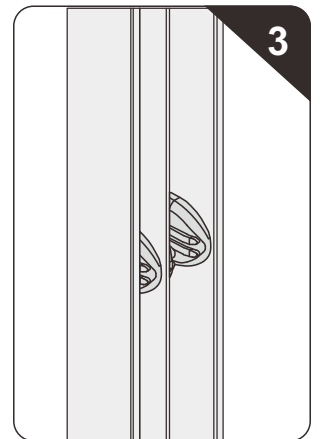
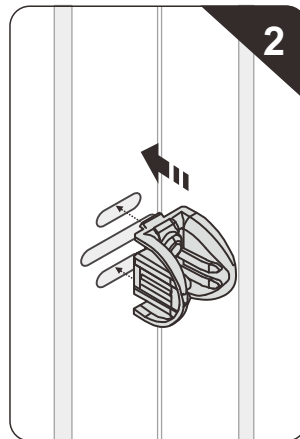
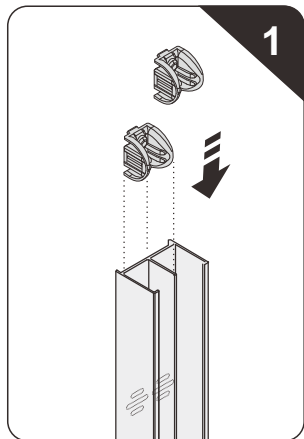
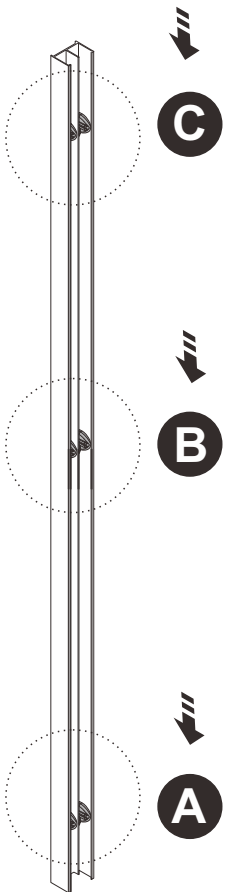
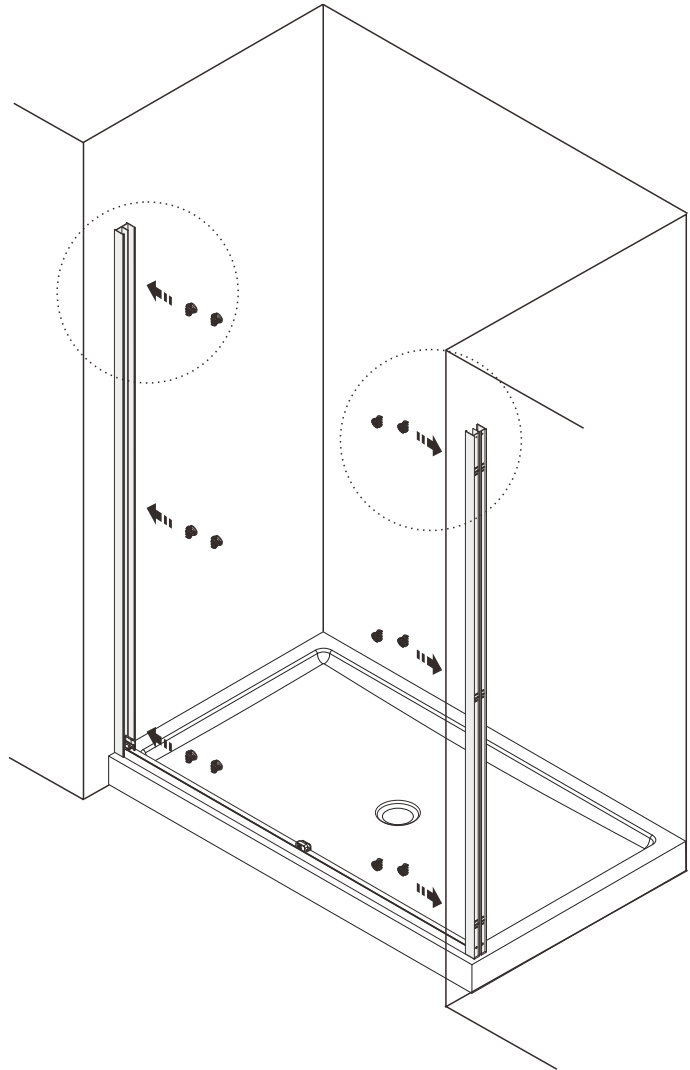


Left and right staggered punching holes

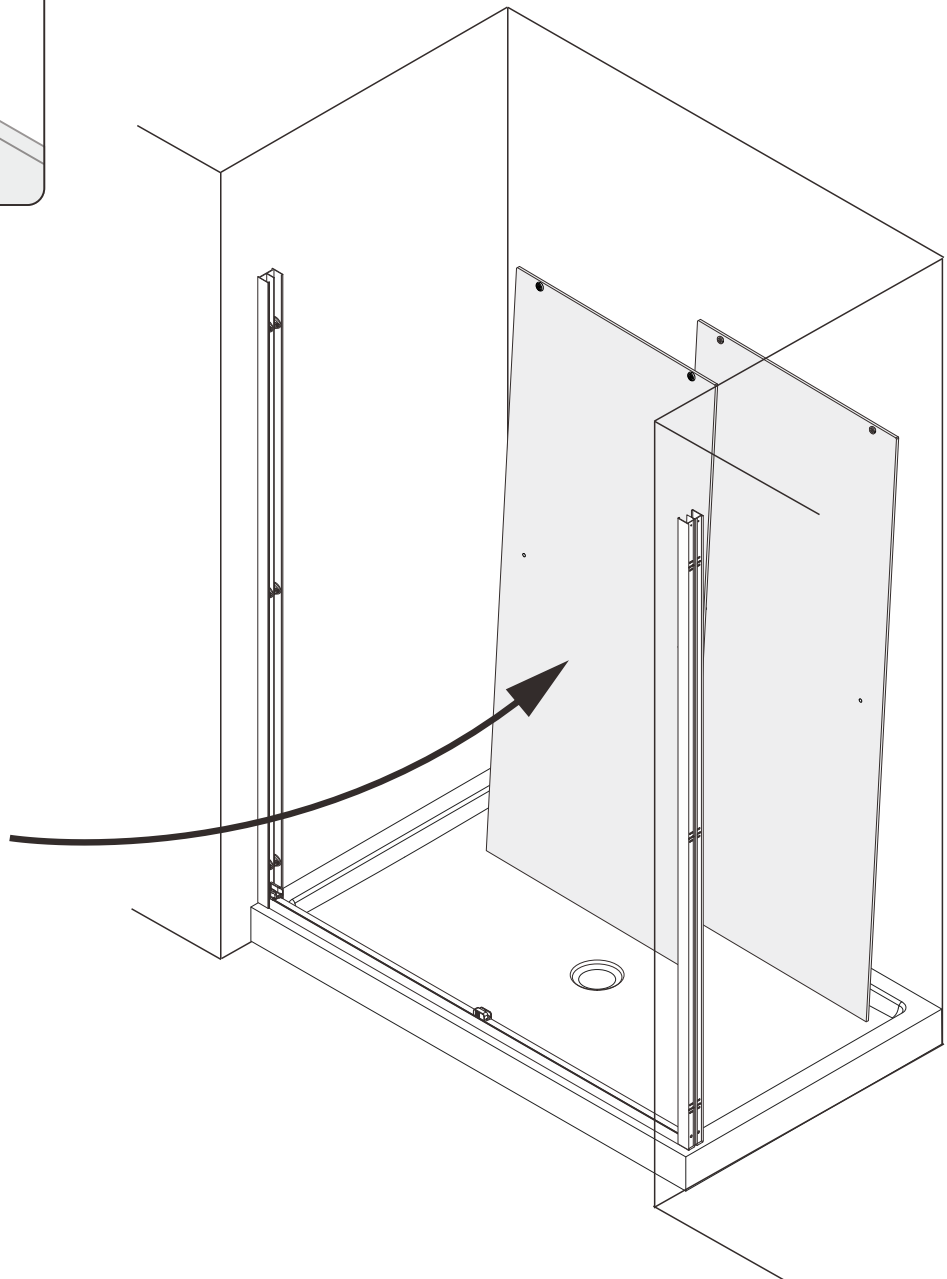
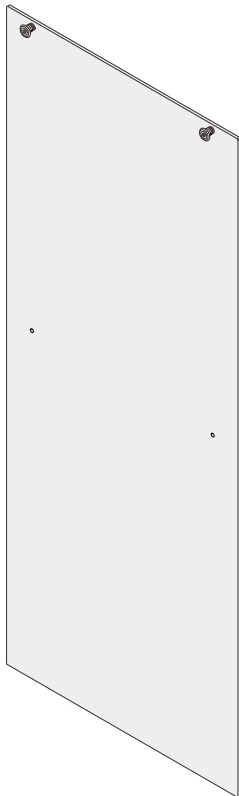
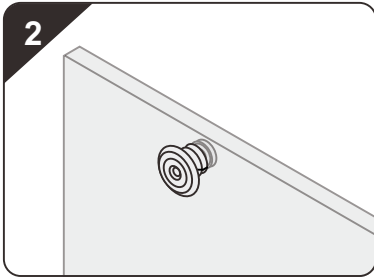
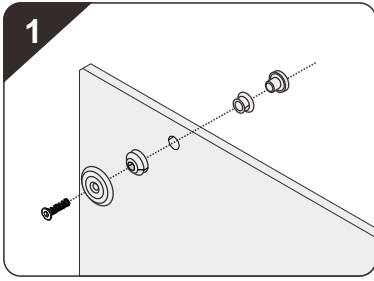
INSTALL PROFILE GUIDER



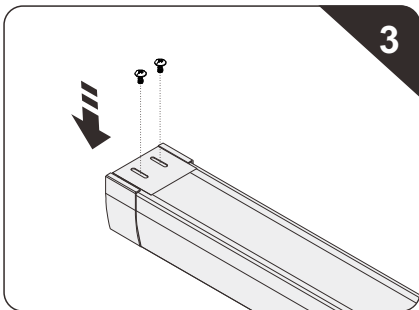
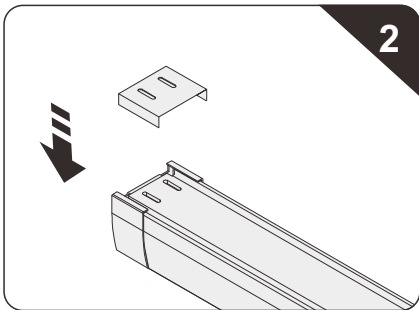
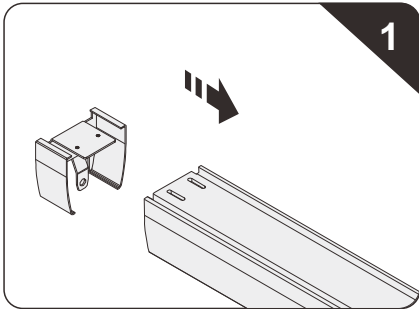
Put round holes on upper.



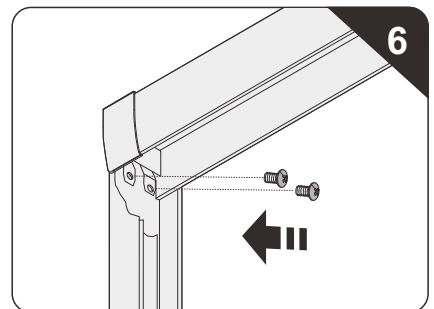
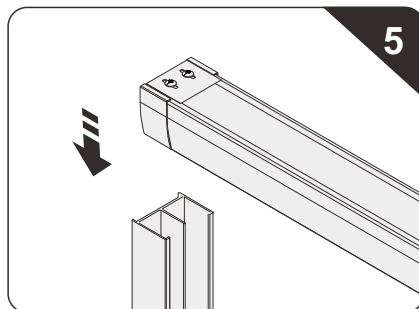
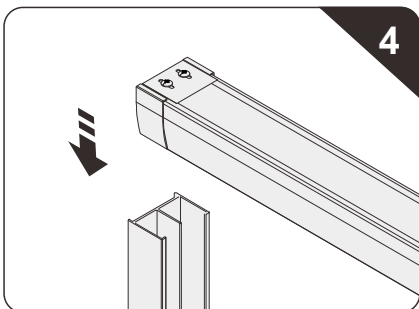
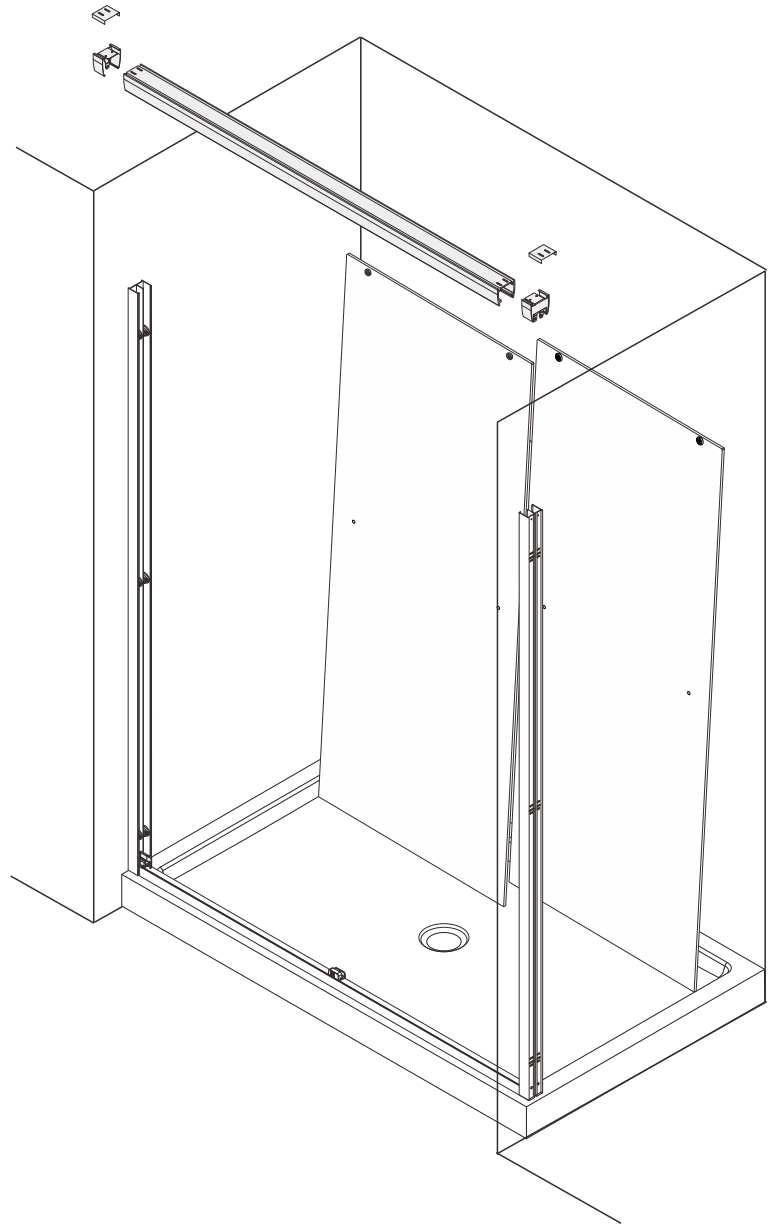
DOOR PANEL INSTALLATION



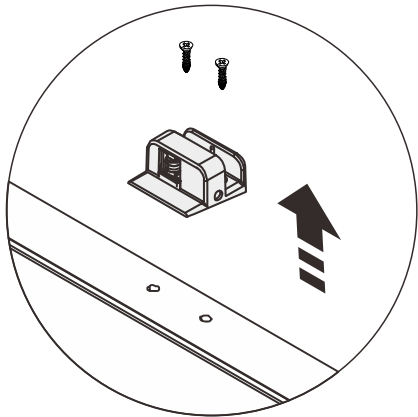
TOP RAIL ASSEMBLY



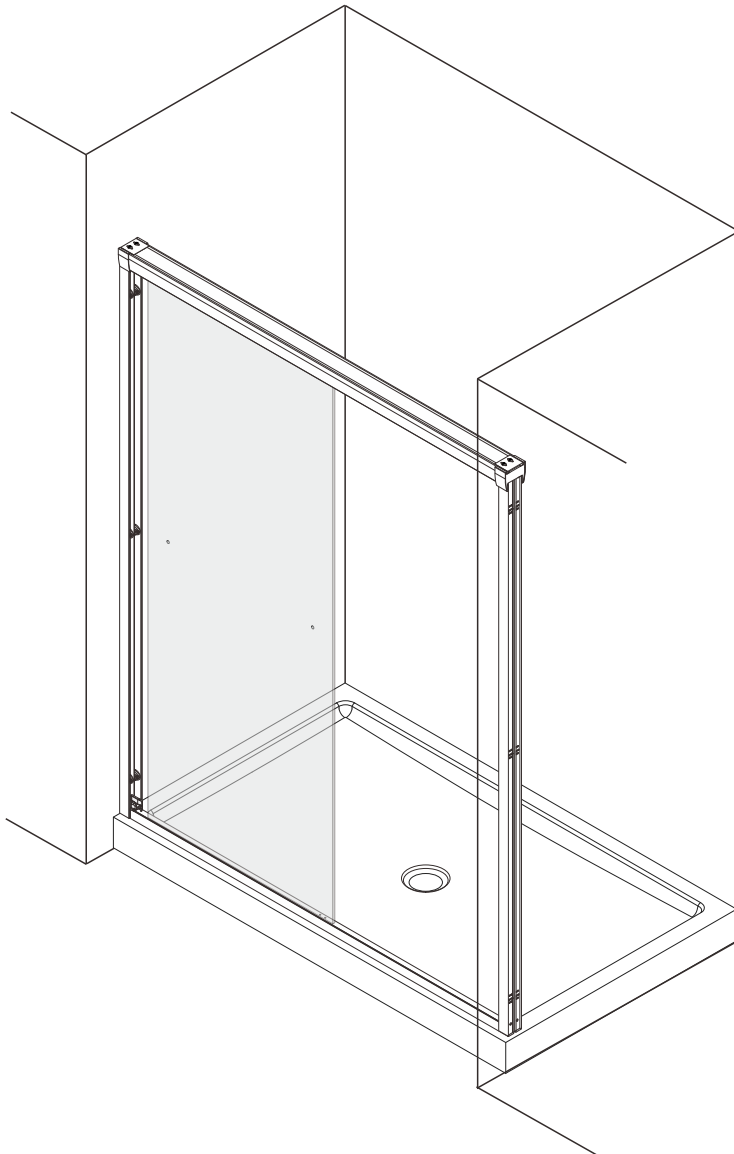
Screws are required for loosen
Installation



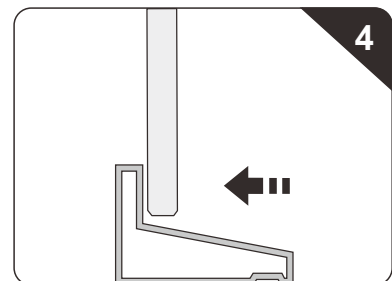
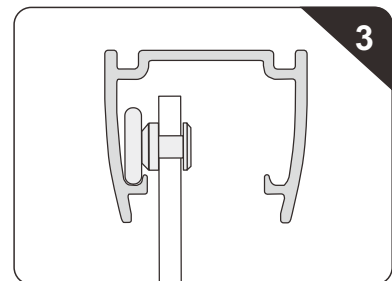
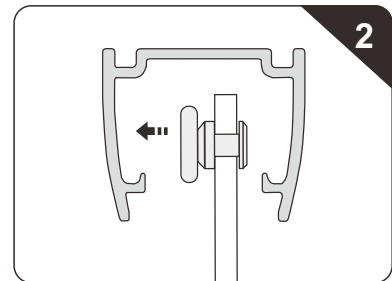
EXTERIOR DOOR PANEL INSTALLATION



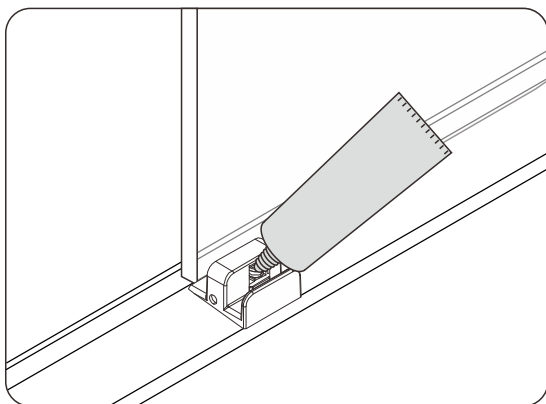
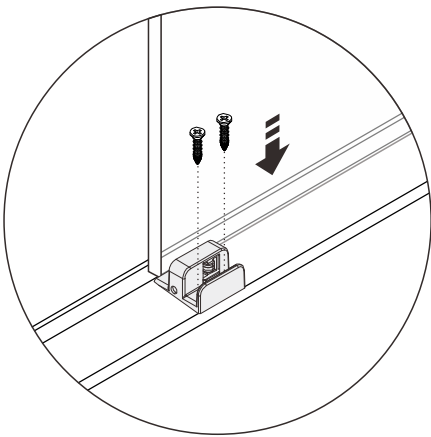
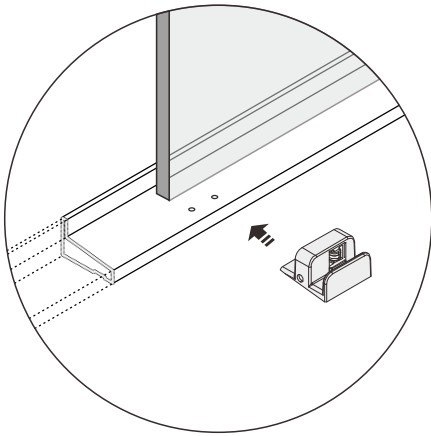
Remove the bottom door guider.



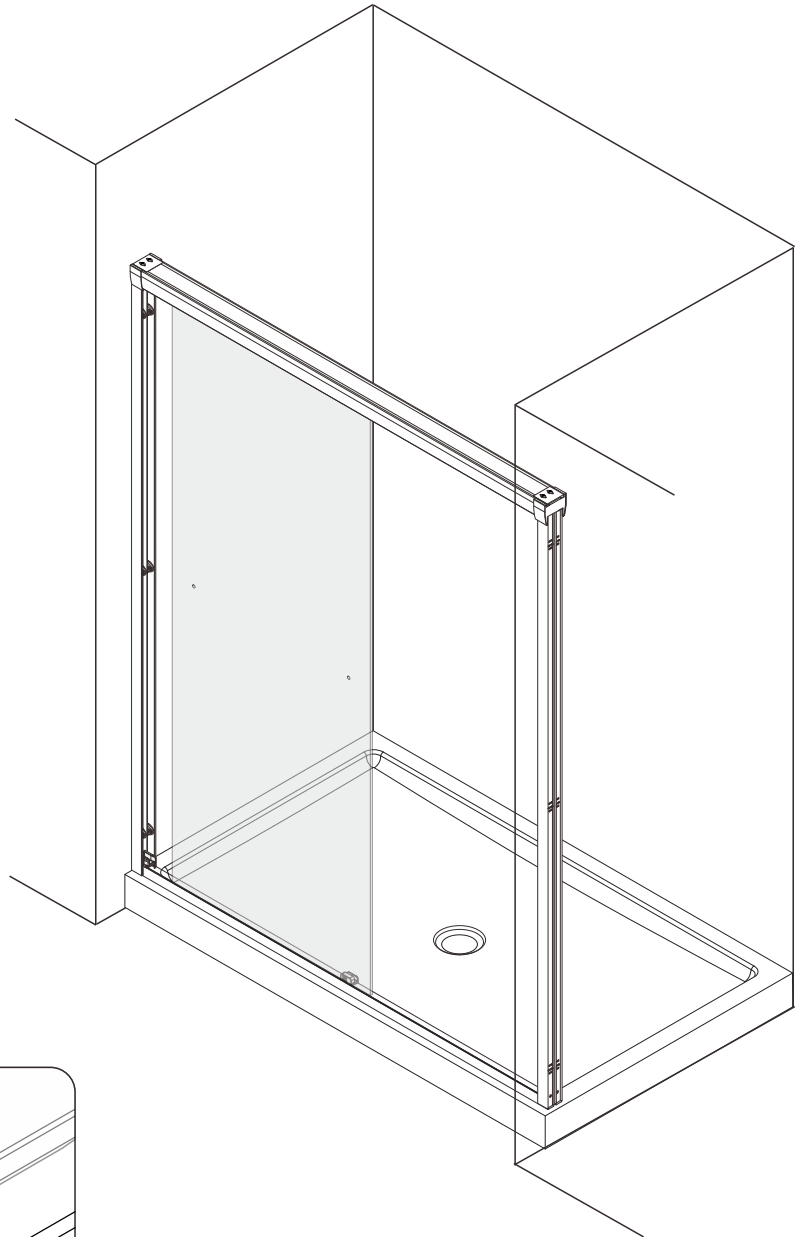
Hang outer door panel into
outside track of top profile.



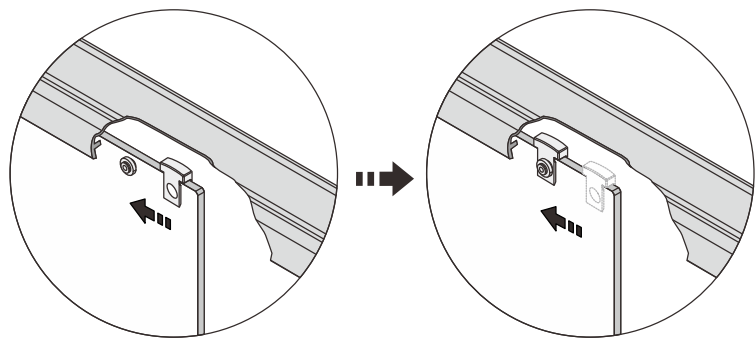
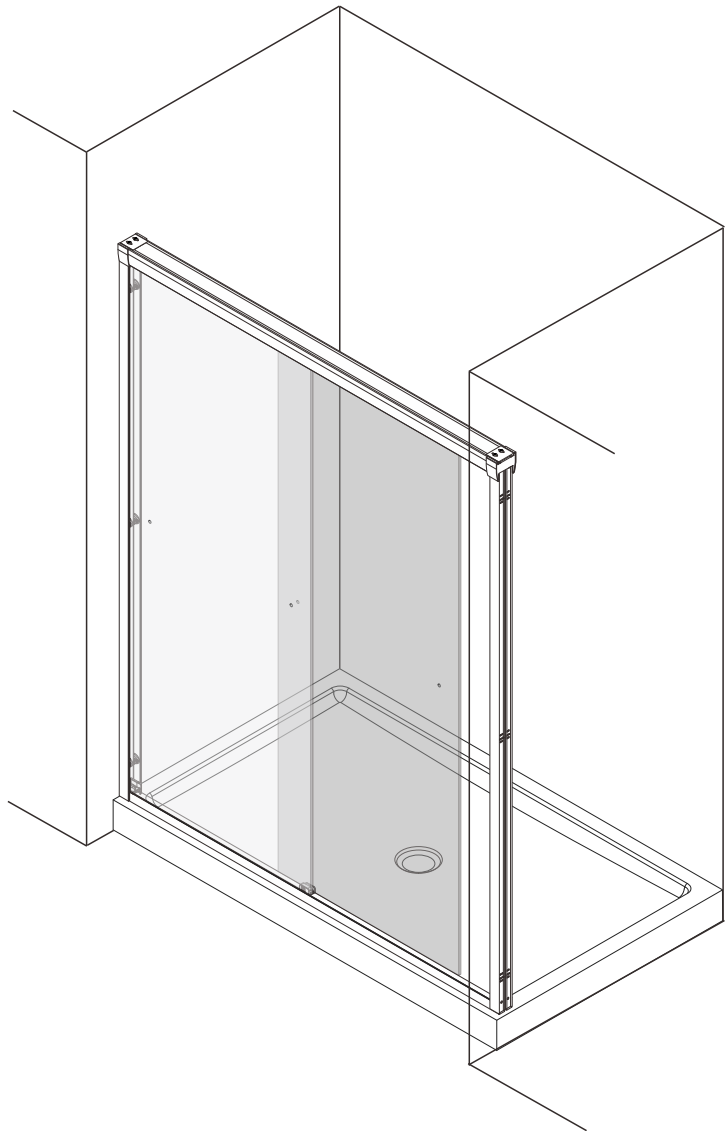
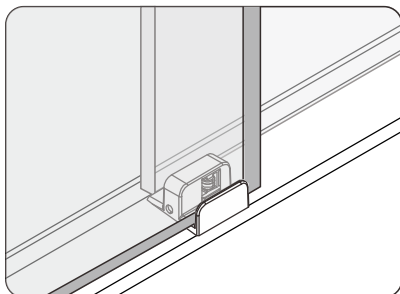
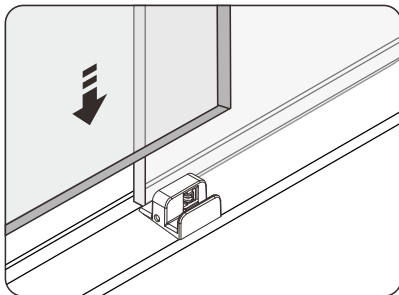
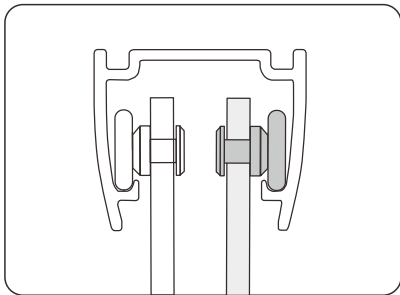
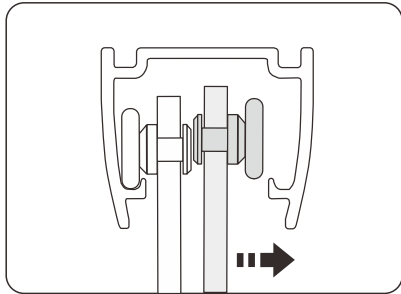
REINSTALL THE BOTTOM GUIDER



Apply the lubricant oil for guider roller.

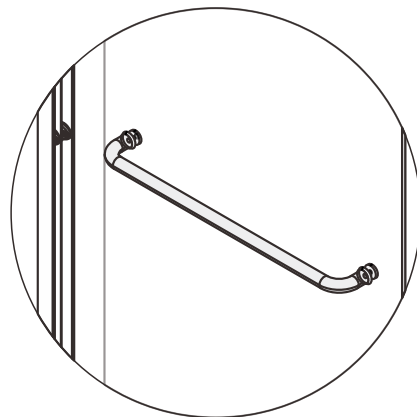
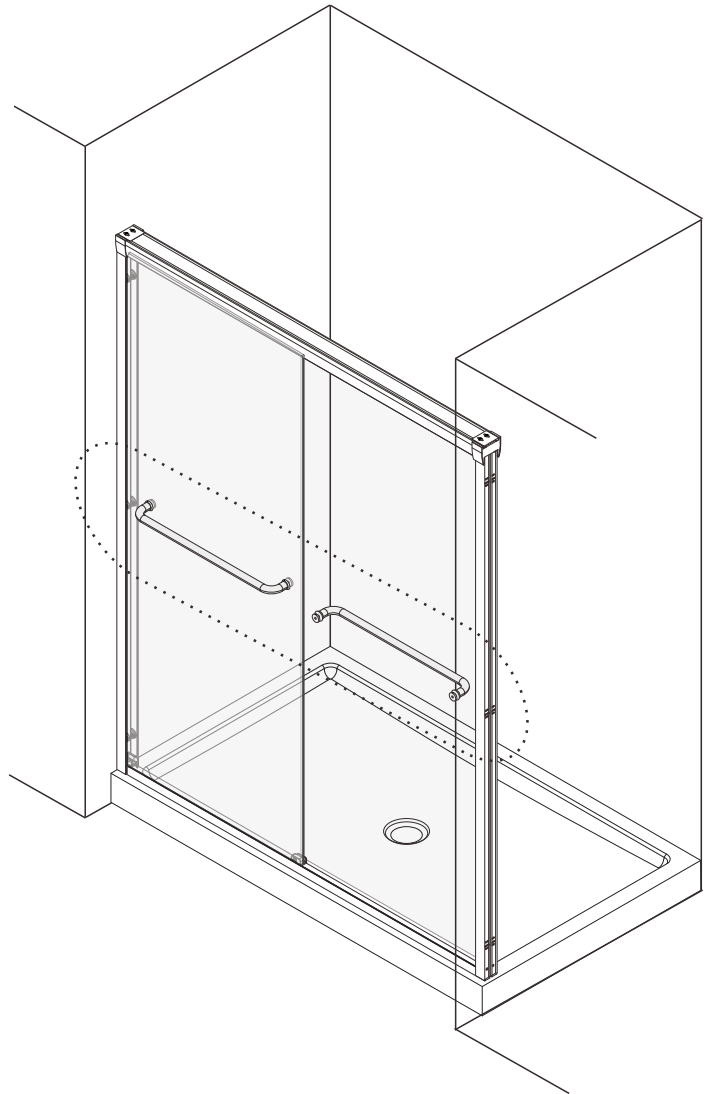
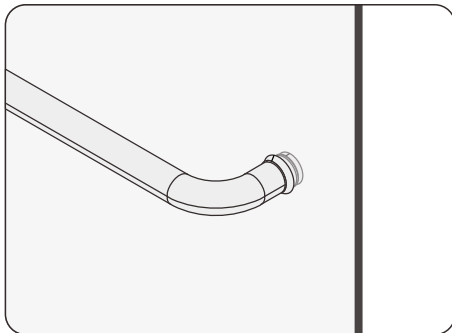
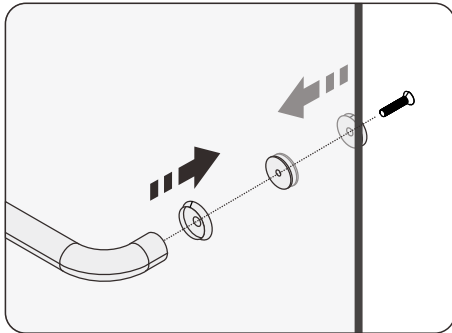
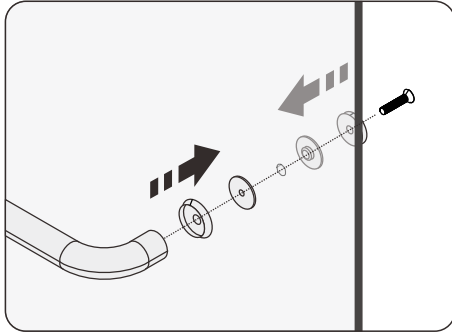


INTERIOR DOOR INSTALLATION

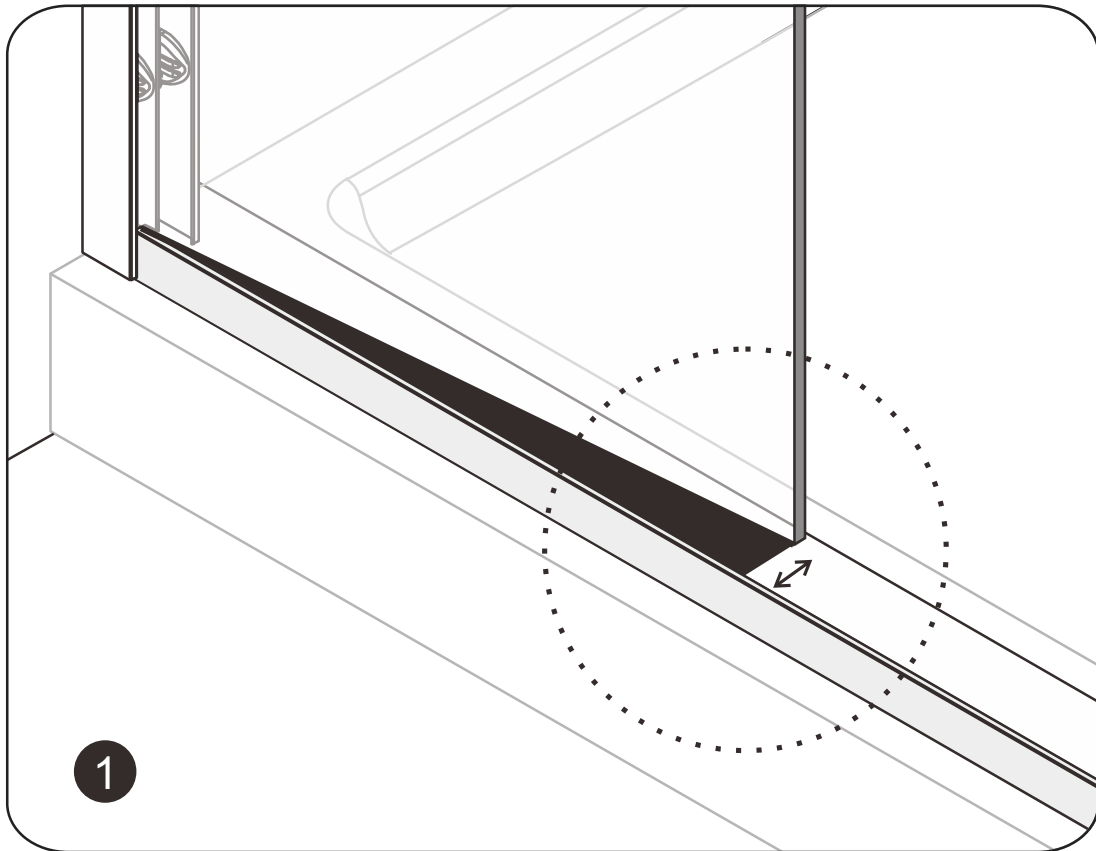


Install four rollers anti-jump components from side of glass

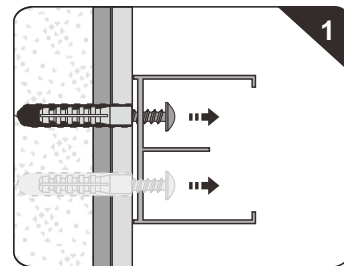
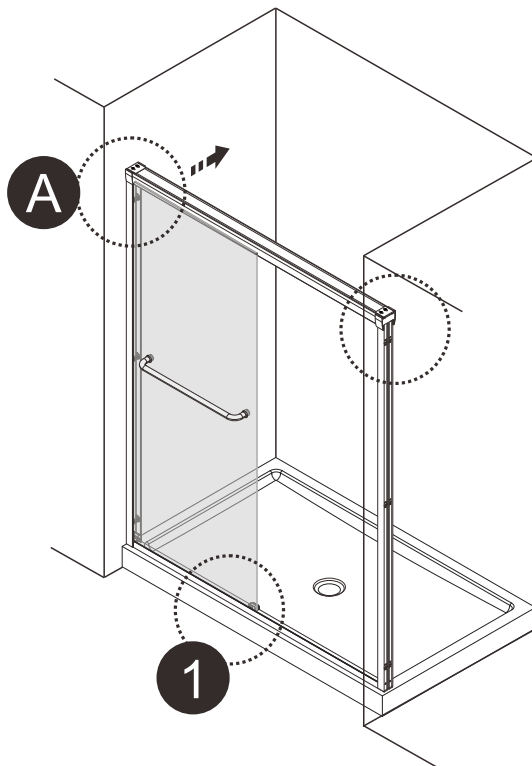
INSTALLATION HANDLE



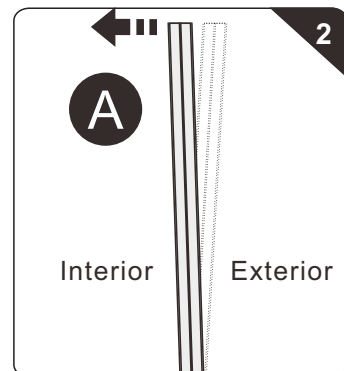
ADJUSTMENT



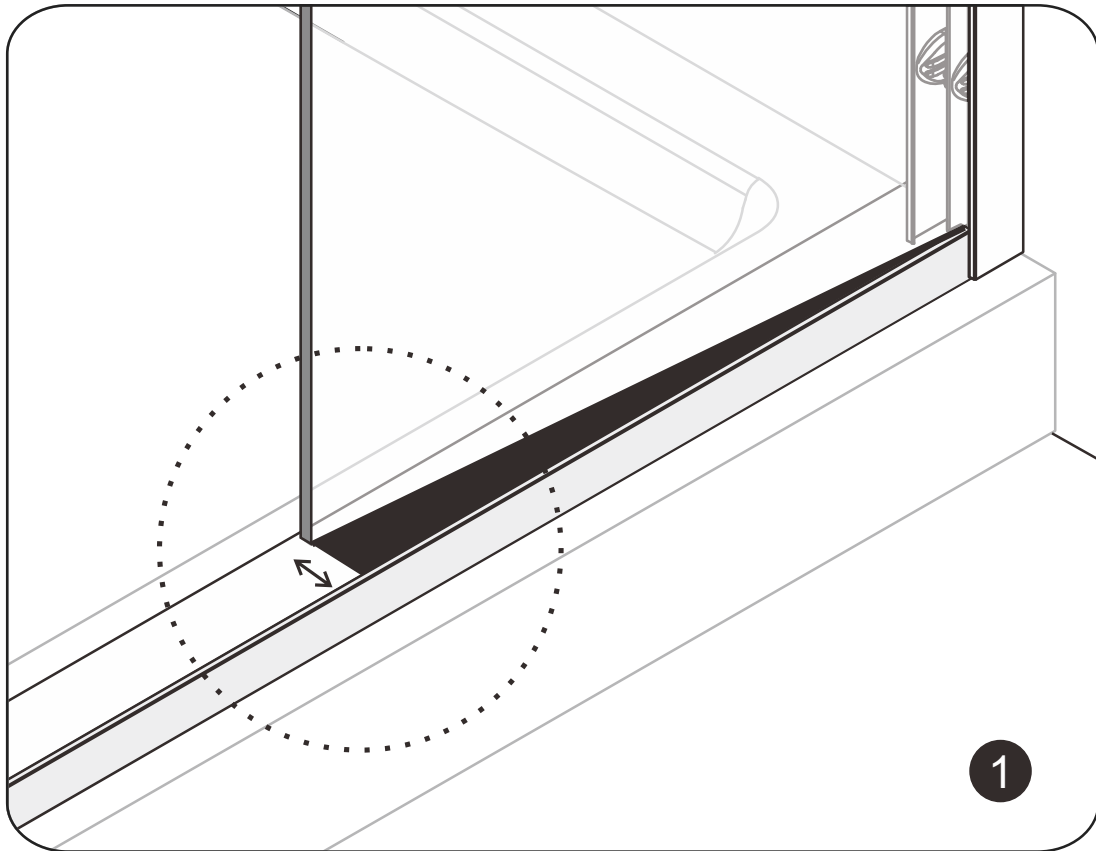
If the right side of door exist a larger gap between glass and bottom rail, pls follow instruction to adjust the area A;



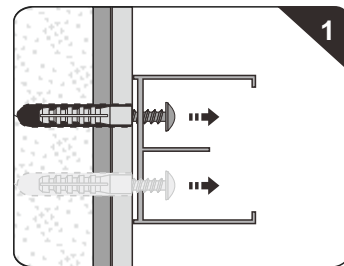
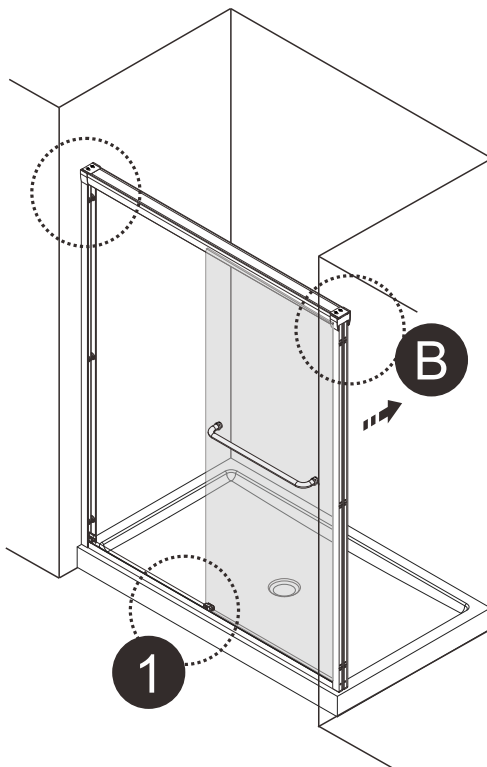
loosen screws



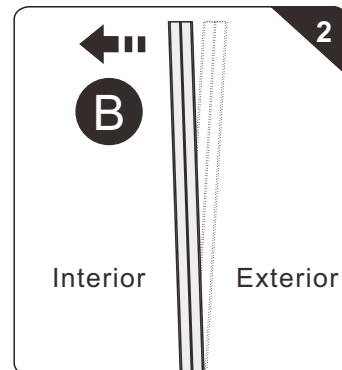
ADJUSTMENT



If the left side of door exist a larger gap between glass and bottom rail, pls follow instruction to adjust the area B;



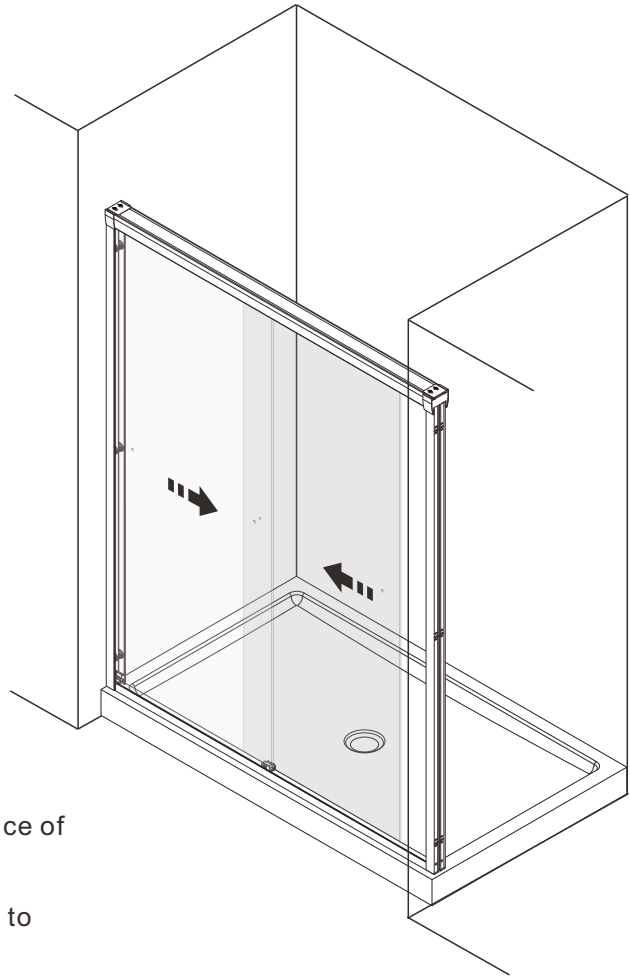
loosen screws



Interior

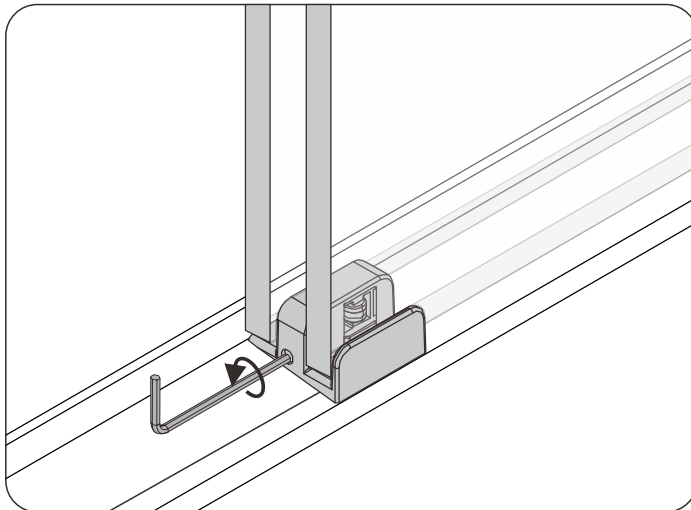
Exterior

ADJUSTMENT METHOD OF COMMON PROBLEMS



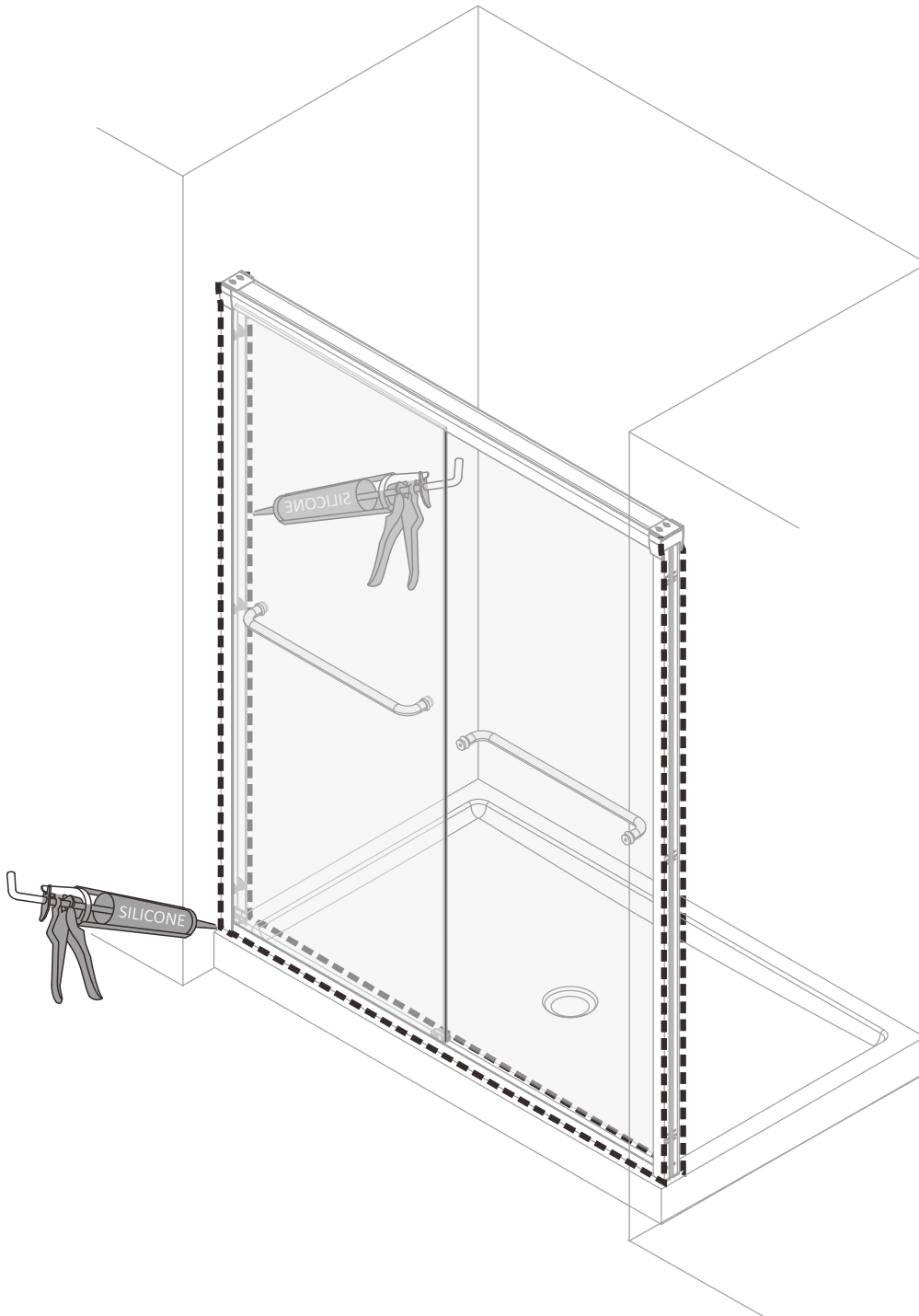
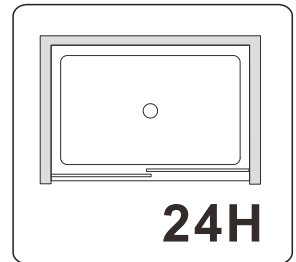
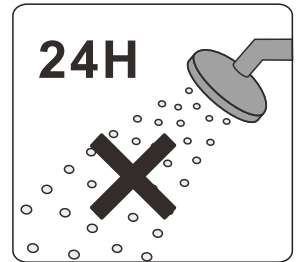
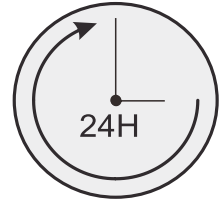
How to adjust the door panels sliding performance of tightness degree?

Hexagonal allen key to adjust counterclockwise to release glass.



Counterclockwise-enlarge gap with glass

CAULKING SILICONE



FOR YOUR SAFETY, PLEASE OBEY THE FOLLOWINGS!

In order to avoid any safety problems and accidental injuries, please read the "Safety Notices" carefully before using this product. Please refer to the conditions listed below and use this product correctly to avoid accidents.

(Highly recommended to keep this manual for future reference) .

Below are some examples of risky behavior, please avoid such dangerous behavior.



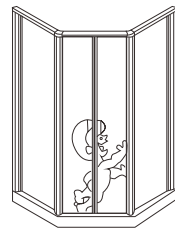
FORBIDDEN

Please do not let the children or the disabled enter the shower room alone, otherwise they may be hurt.



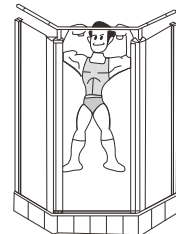
FORBIDDEN

Please do not let children play inside.



FORBIDDEN

Please do not hanging heavy objects.



ATTENTION

Please note, bathroom floors are slippery, please pay attention to the threshold when enter and exit to avoid slipping.

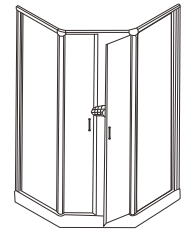


FOR YOUR SAFETY, PLEASE OBEY THE FOLLOWINGS!



FORBIDDEN

Please do not place your hands between the gaps to prevent crushing.



Caution Points

- To avoid damage, please do not rub or hit the door.
- Worn caulk may cause water leaks, please check and re-caulk promptly.



- The following items may cause physical harm and may damage the shower. Please do not use them in your bathroom.

Acid and alkaline solvents, medicine (e.g hydrochloric acid), acetone thinner, solvents, cleanser, polishers, nylon brooms or sand paper.

