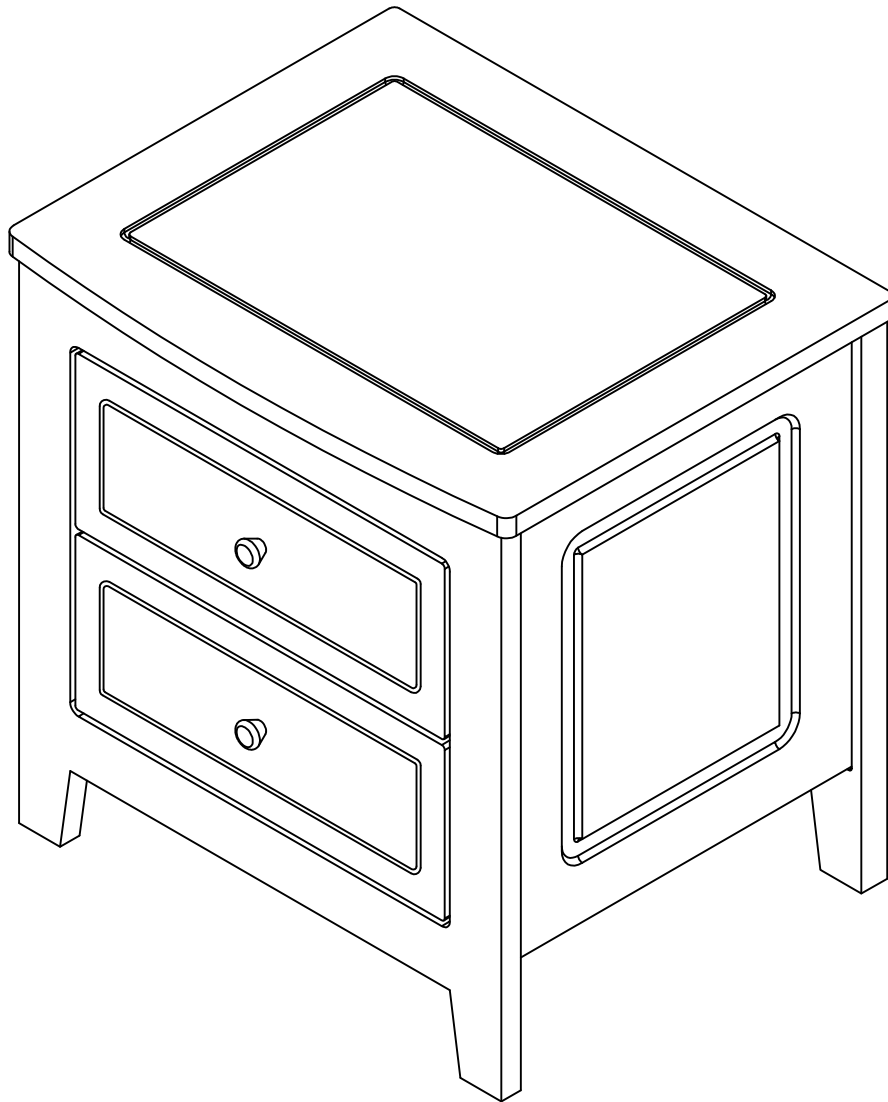
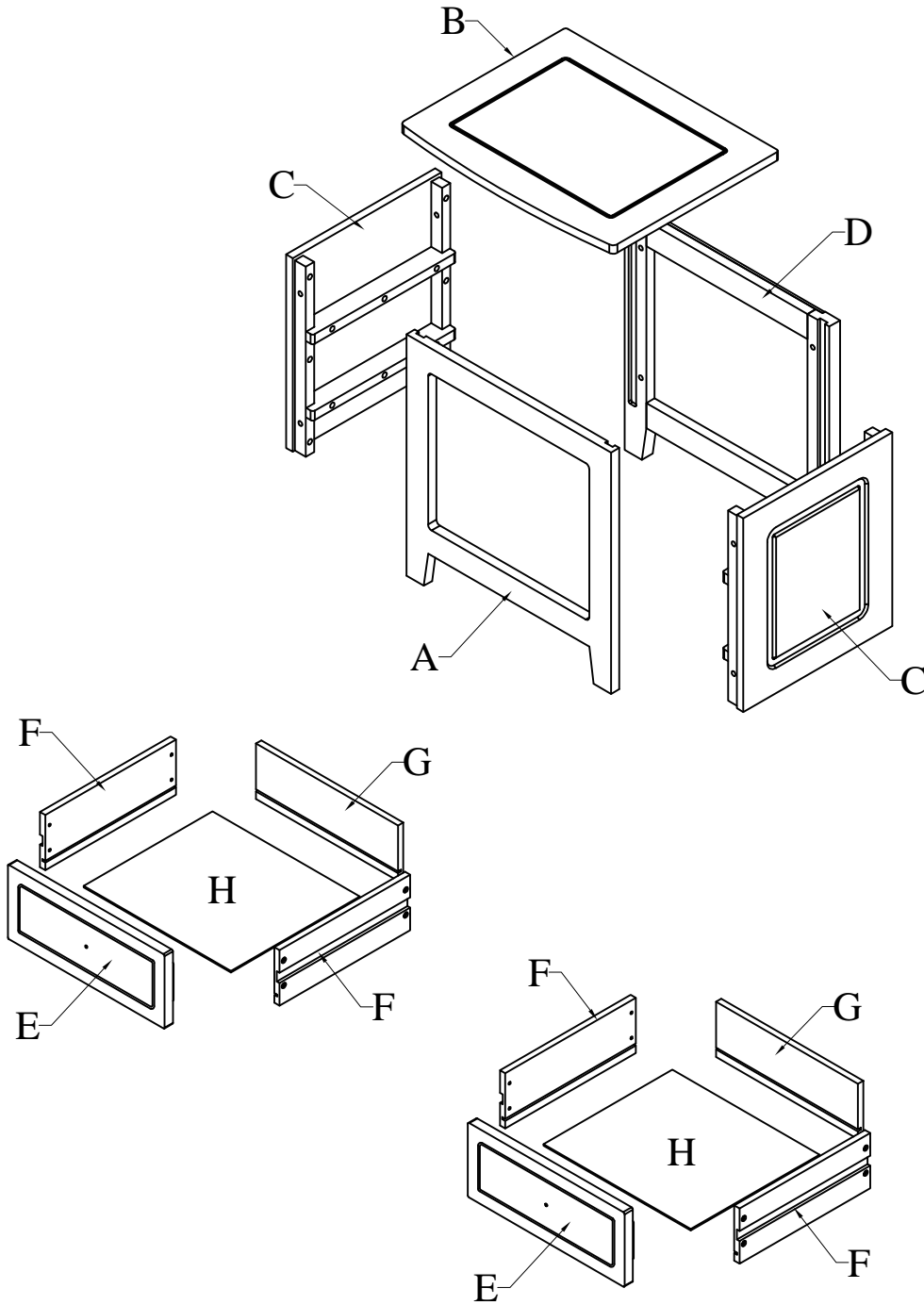


ASSEMBLY INSTRUCTIONS

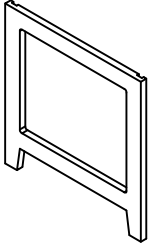


DETAIL VIEW



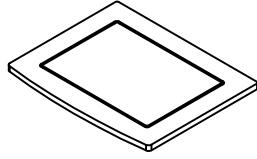
BOX 1

A



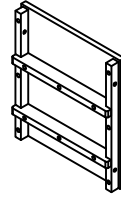
Leg frame - front (1pc)

B



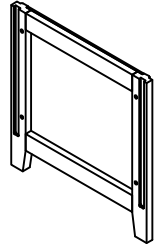
Top panel (1pc)

C



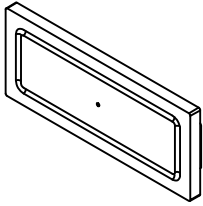
Side frame (2pcs)

D



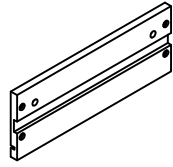
Leg frame - back (1pc)

E



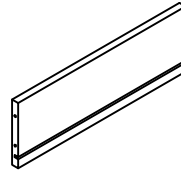
Front drawers (2pcs)

F



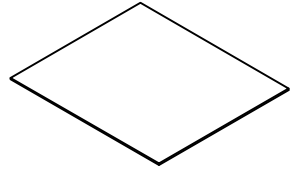
Side drawers (4pcs)

G



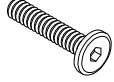
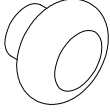
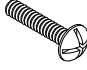
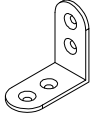
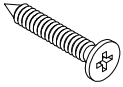

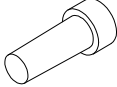
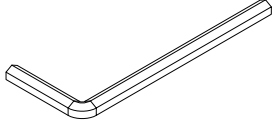
Back drawers (2pcs)

H

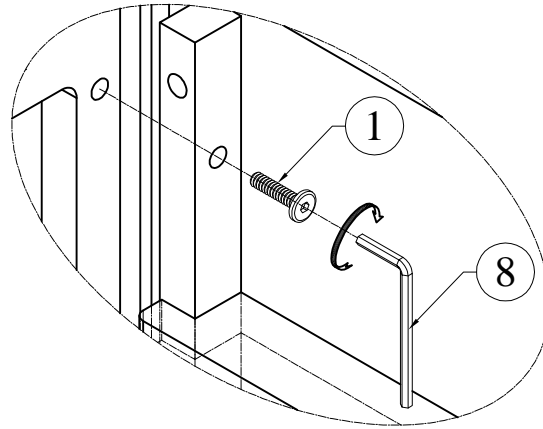
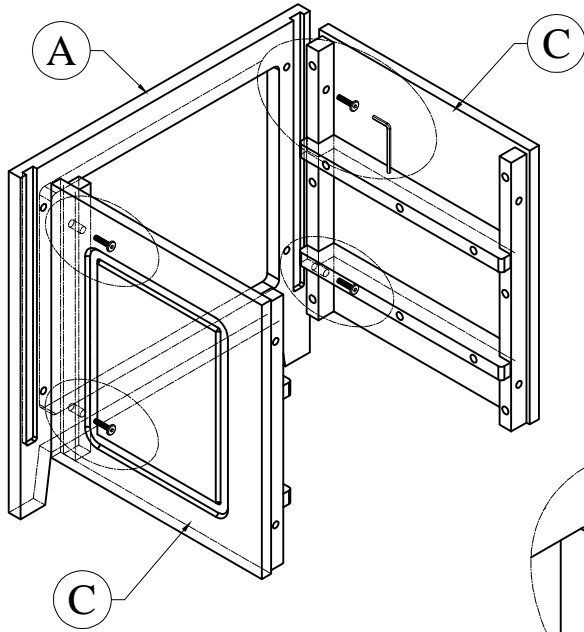


Bottom drawers (2pcs)

HARDWARE LIST

<p>1</p>  <p>Hex - Head bolts Ø1/4" * 30- 8pcs</p>	<p>2</p>  <p>Handle - 2pcs</p>	<p>3</p>  <p>Round crews Ø5/32" * 22 - 2pcs</p>	<p>4</p>  <p>Patt L - 4pcs</p>
<p>5</p>  <p>Wood crews M4 * 25 - 16pcs</p>	<p>6</p>  <p>Wood crews M3.5 * 15 - 16pcs</p>	<p>7</p>  <p>Wood lock pin - 4pcs</p>	<p>8</p>  <p>Allen key K4 - 1pc</p>

STEP 1

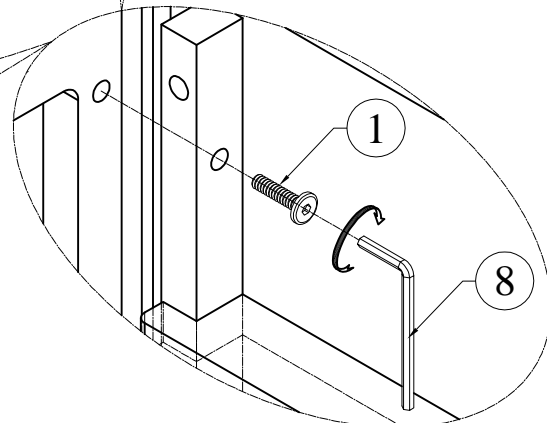
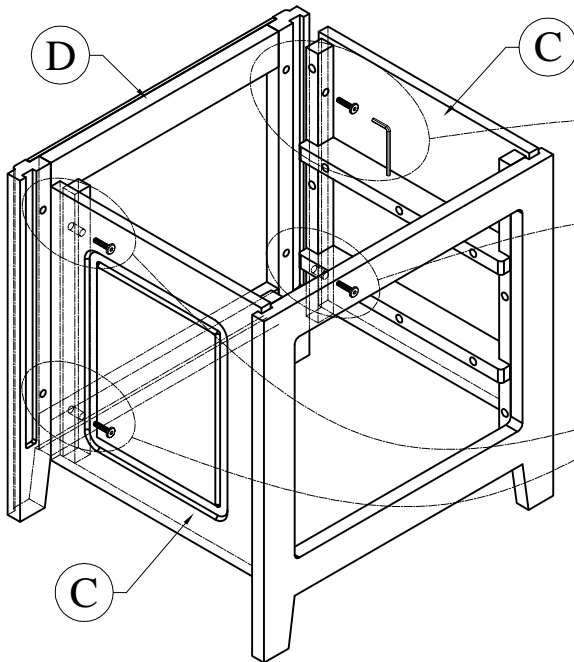


1



Hex - Head bolts
Ø1/4" * 30- 4pcs

STEP 2

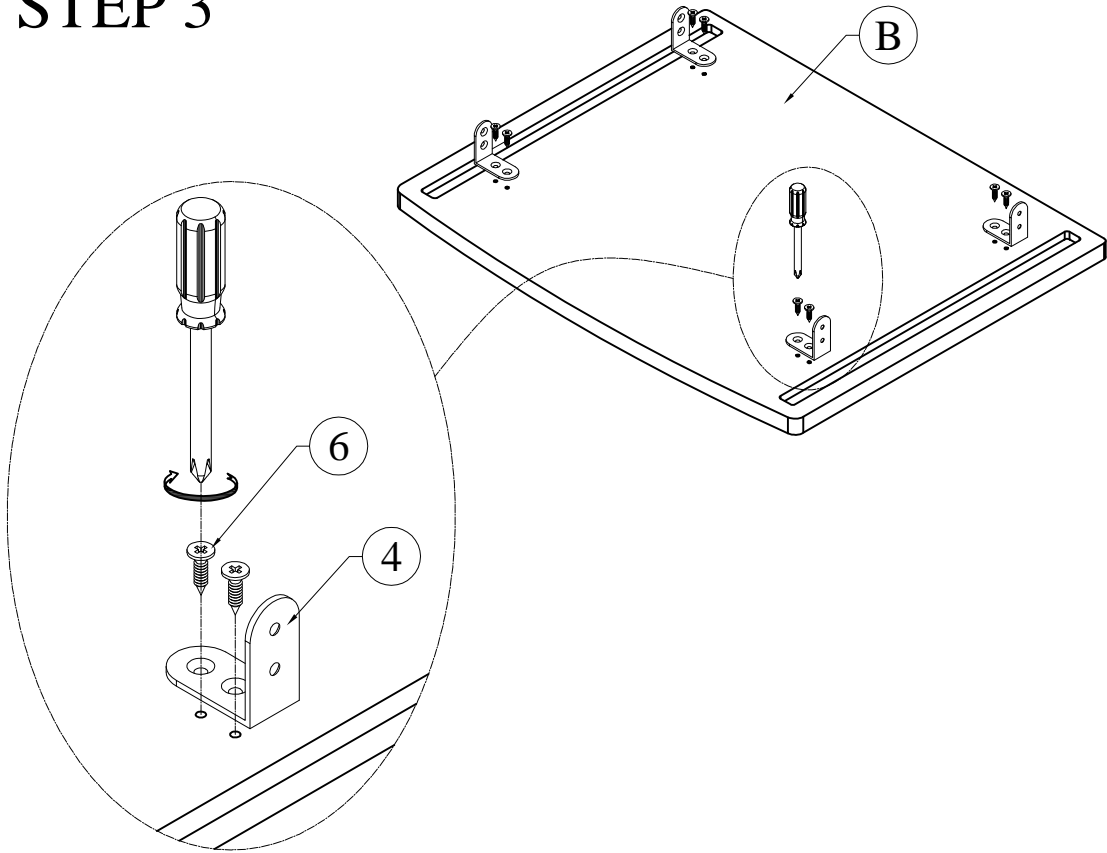


1



Hex - Head bolts
Ø1/4" * 30- 4pcs

STEP 3



4



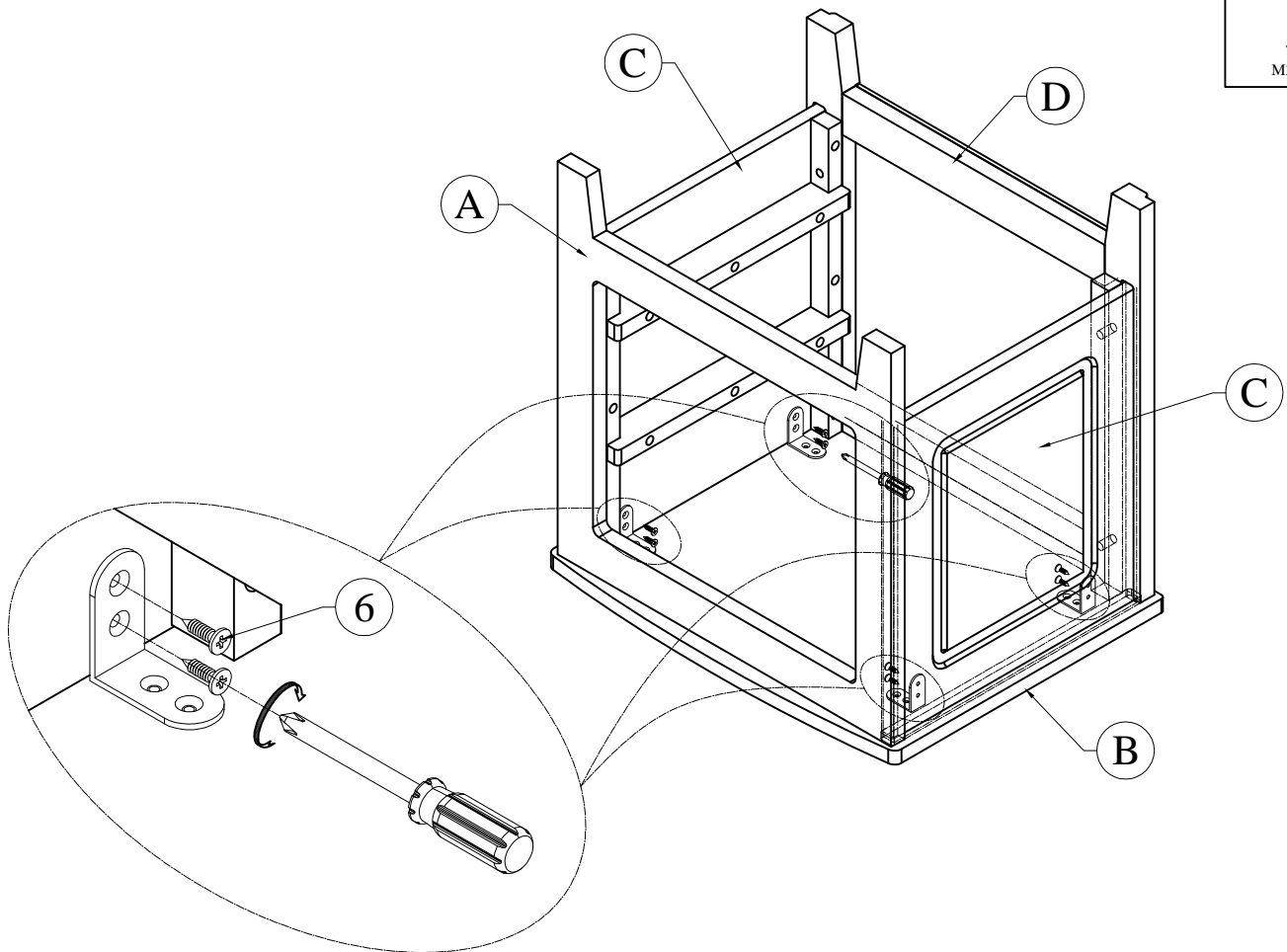
Part L - 4pcs

6



Wood crews
M3.5 * 15 - 8pcs

STEP 4



6



Wood crews
M3.5 * 15 - 8pcs

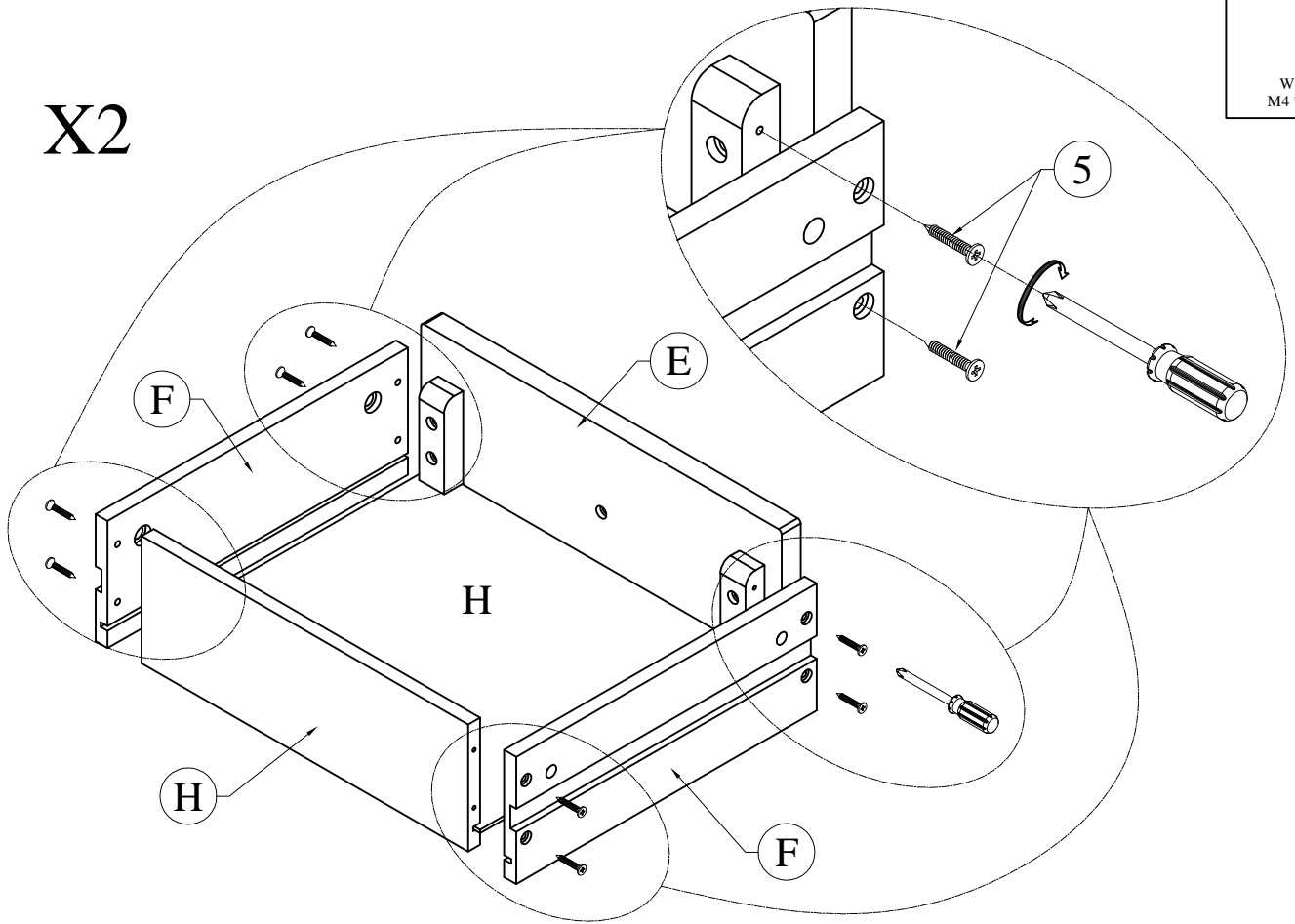
STEP 5

X2

5



Wood crews
M4 * 25 - 16pcs



STEP 6

X2

2

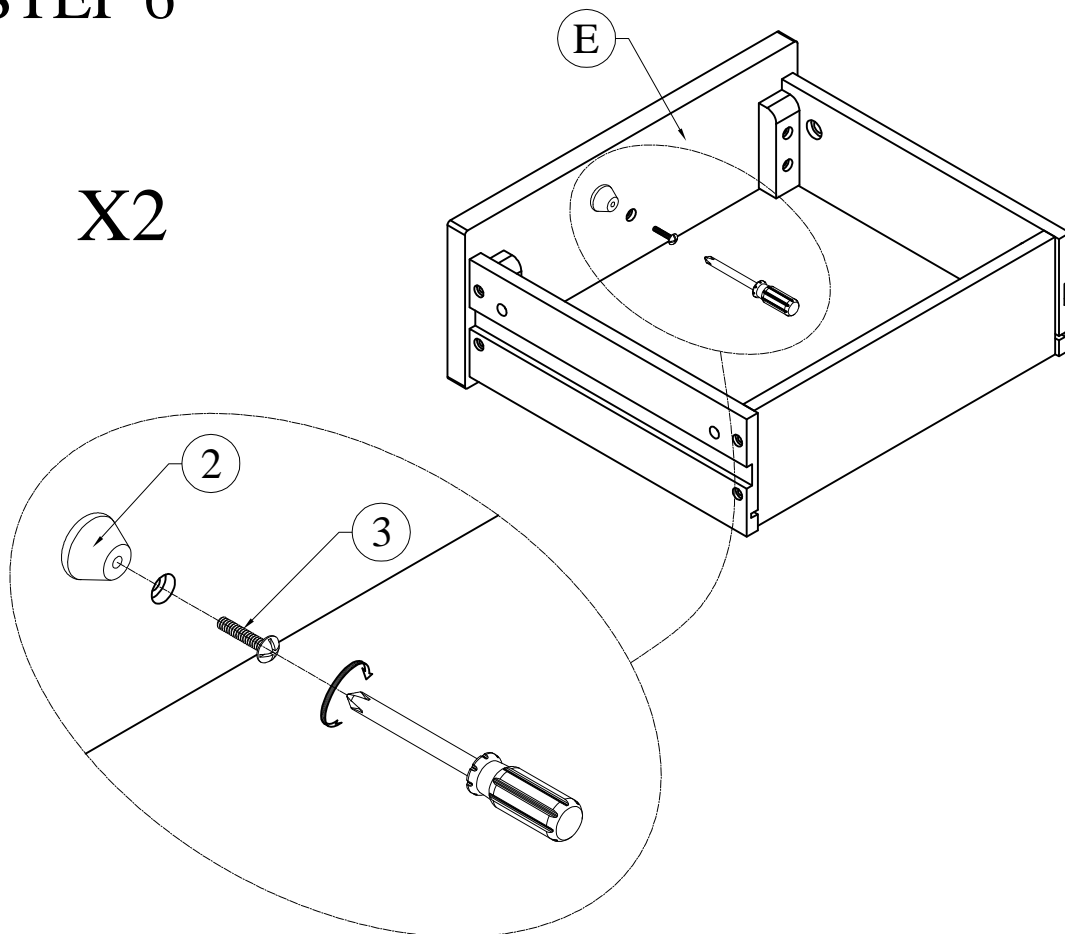


Handle - 2pcs

3



Round crews
Ø5/32" * 22 - 2pcs

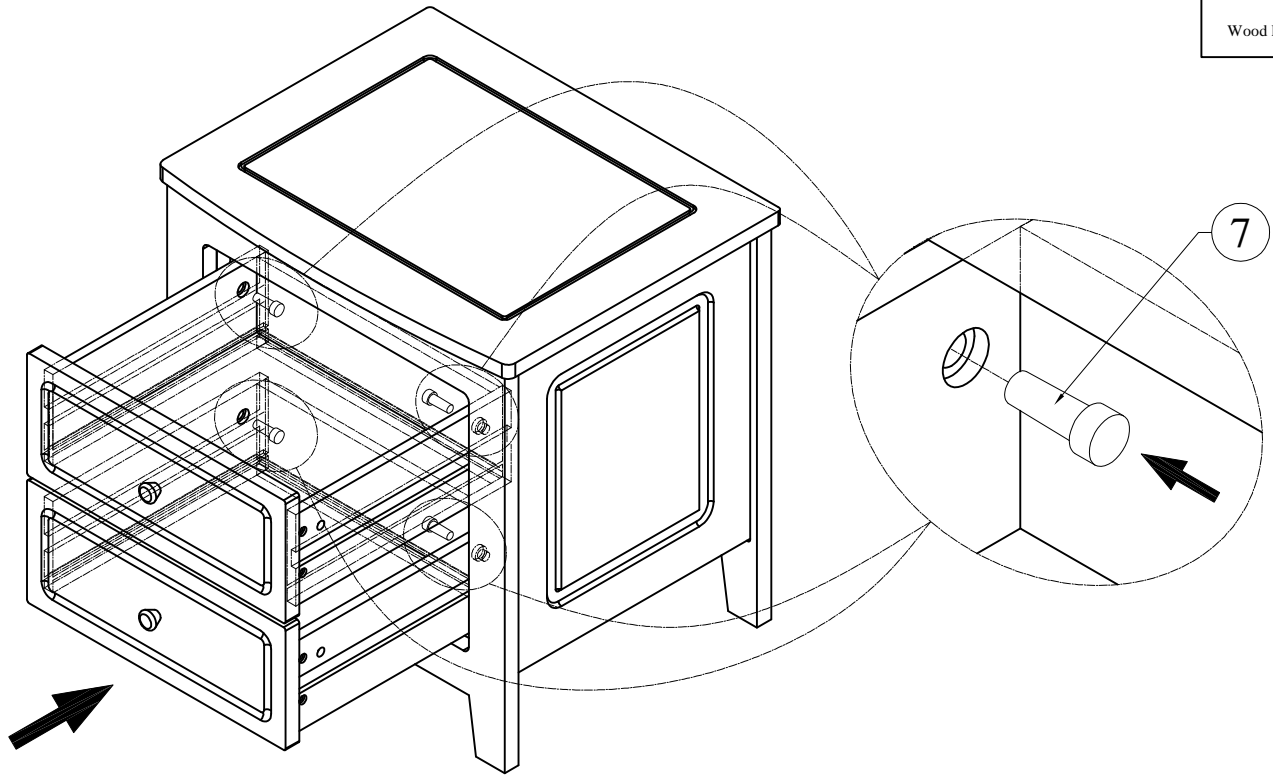


STEP 7

7



Wood lock pin - 4pcs



COMPLETED

