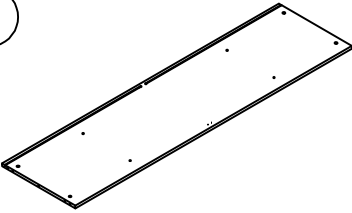
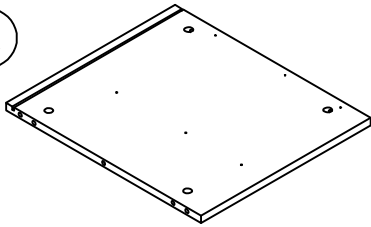
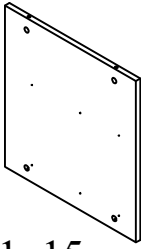
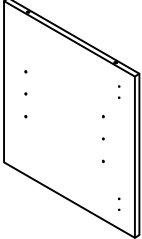
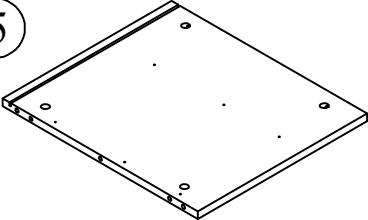
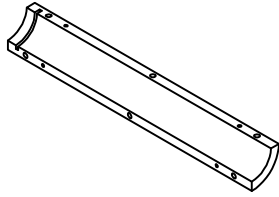
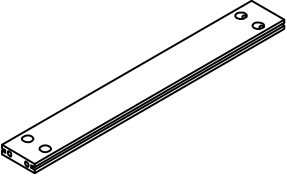
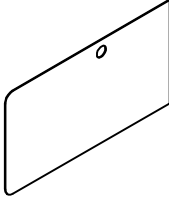
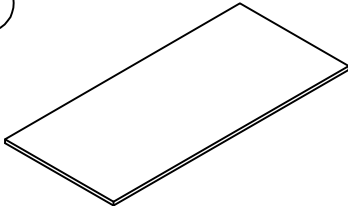
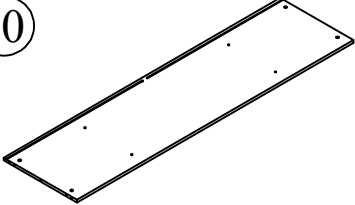
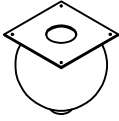
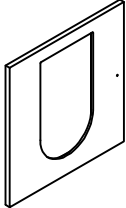
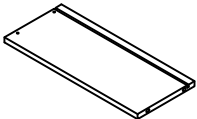
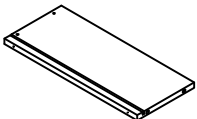
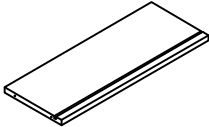
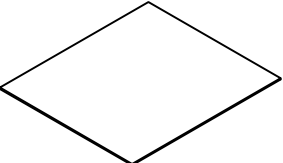
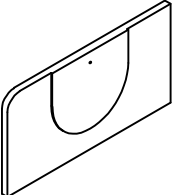
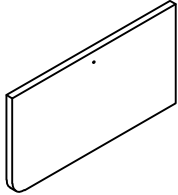
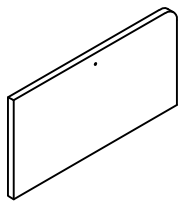


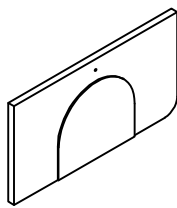
<p>①</p>  <p>1700x450x15 x1</p>	<p>②</p>  <p>390x450x15 x1</p>	<p>③</p>  <p>460x431x15 x1</p>
<p>④</p>  <p>460x431x15 x1</p>	<p>⑤</p>  <p>390x450x15 x1</p>	<p>⑥</p>  <p>450x71x25 x4</p>
<p>⑦</p>  <p>460x60x15 x1</p>	<p>⑧</p>  <p>865x470x3 x2</p>	<p>⑨</p>  <p>867x400x12 x1</p>
<p>⑩</p>  <p>369x80x15 x1</p>	<p>⑪</p>  <p>120x120x120 x5</p>	<p>⑫</p>  <p>454x429.5x15 x1</p>
<p>⑬</p>  <p>350x150x12 x4</p>	<p>⑭</p>  <p>350x150x12 x4</p>	<p>⑮</p>  <p>387x150x12 x4</p>
<p>⑯</p>  <p>348x397x3 x4</p>	<p>⑰</p>  <p>225.5x430x15 x1</p>	<p>⑱</p>  <p>225.5x430x15 x1</p>

19



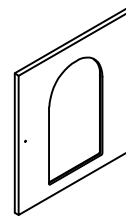
225.5x430x15 x1

20





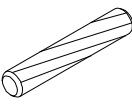







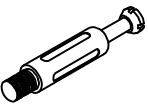
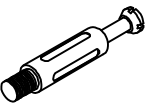
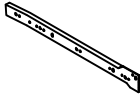

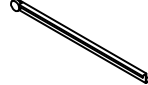
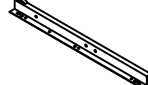
225.5x430x15 x1

21

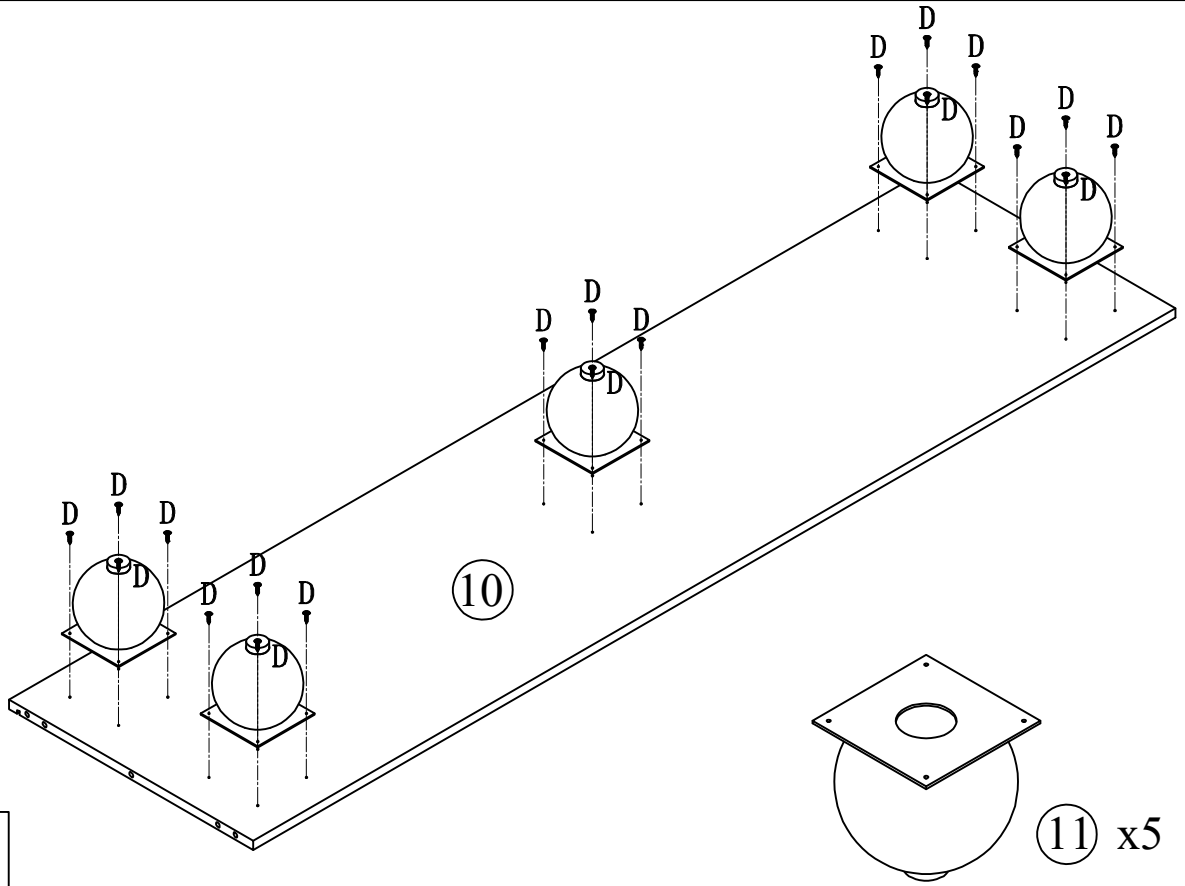



454x429.5x15 x1

Hardware

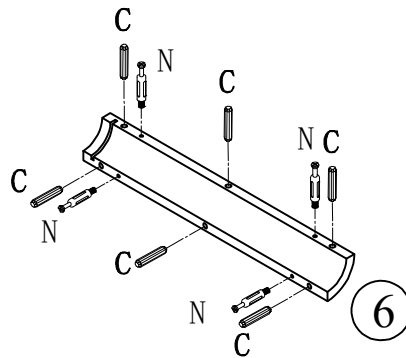
		 Φ8*30	 Φ3.5*14	
A×12	B×44	C×24	D×86	E×4
	 Φ3.5*35	 Φ4*18		
F×4	G×16	H×6	J×6	K×8
				
L×1	N×16	O×16	CL×4	CR×4
				
DL×4	DR×4			

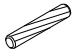

1



D

 Φ3.5*14
 20pcs

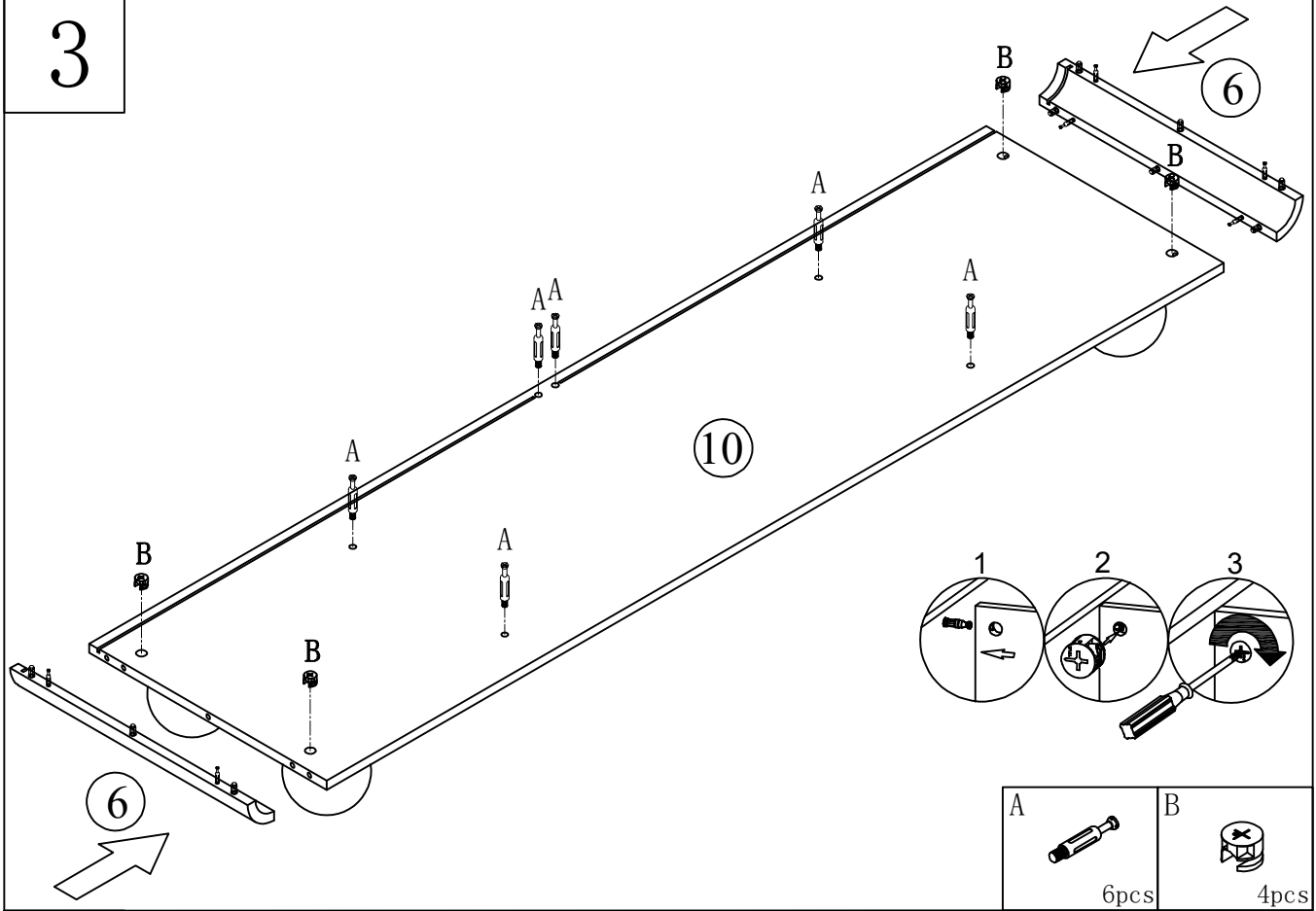
2



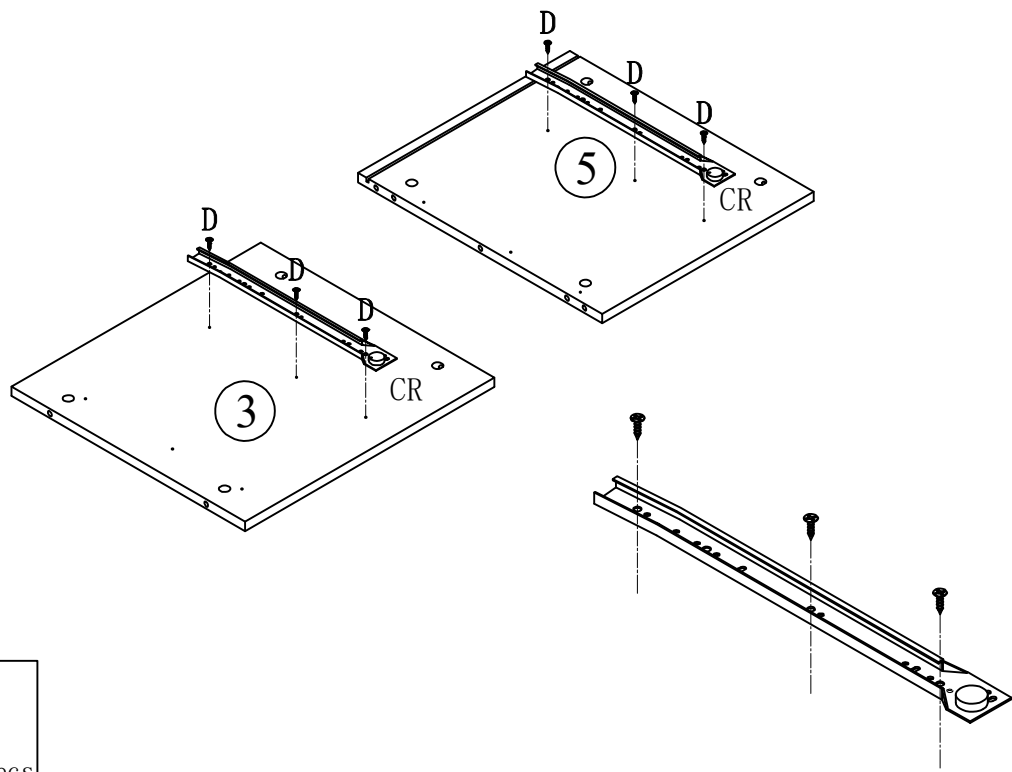
C  Φ8*30 24pcs	N  16pcs
--	---

x 4

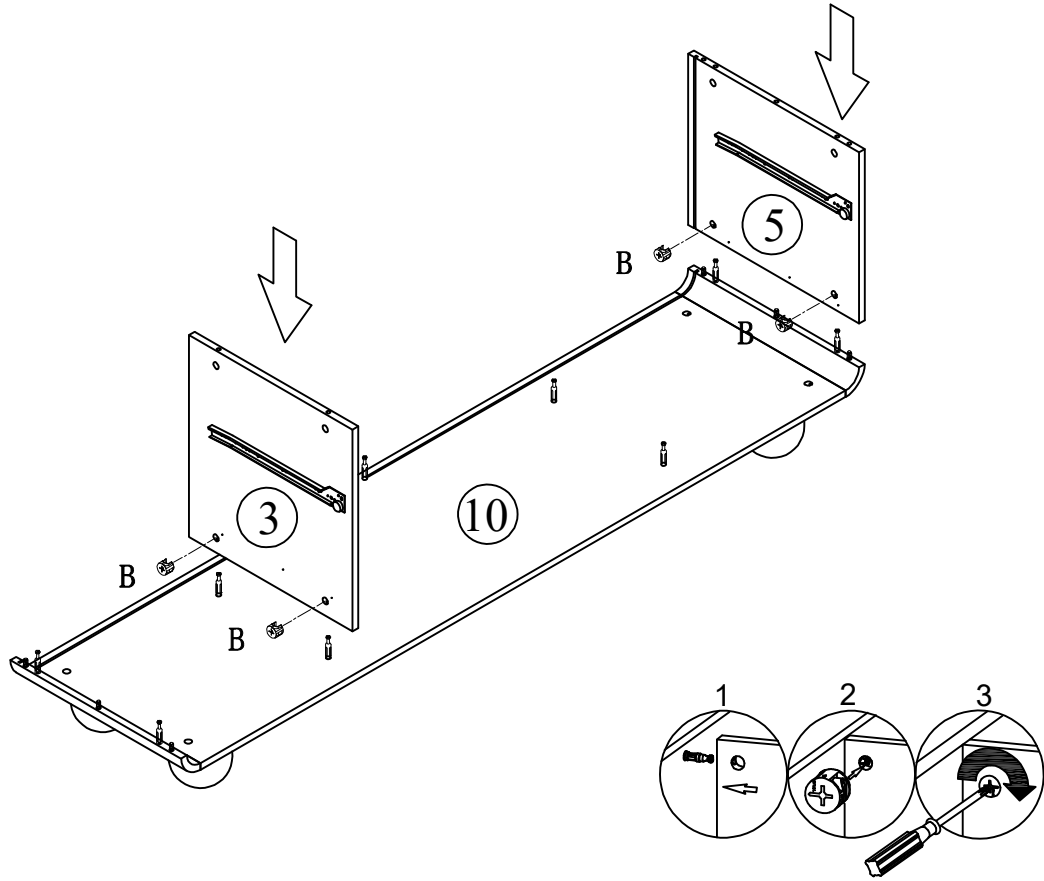
3



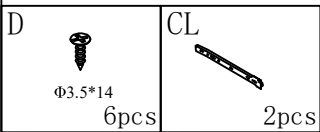
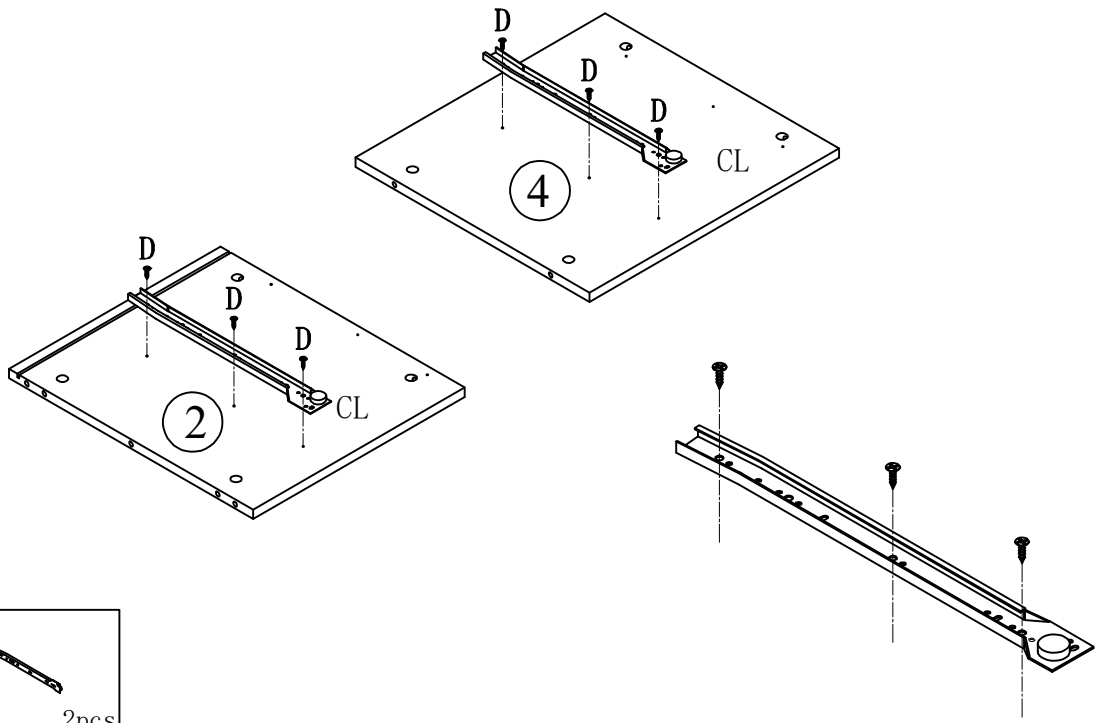
4



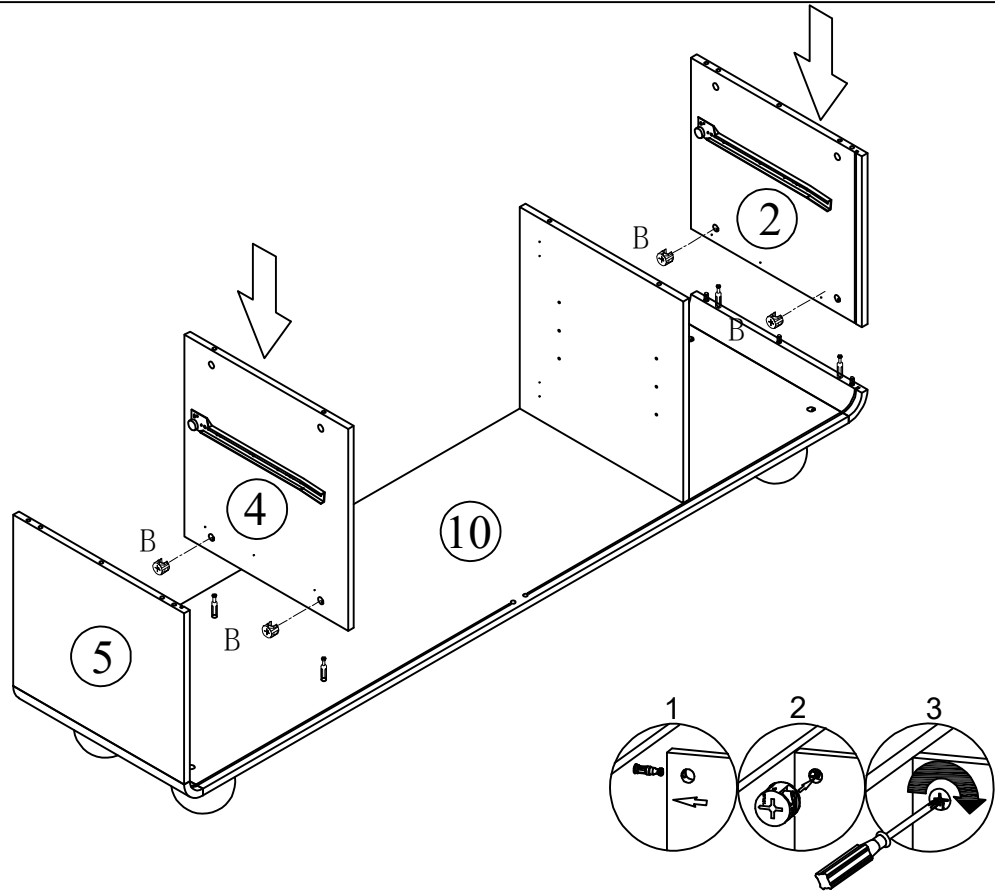
5



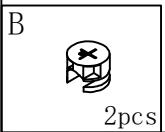
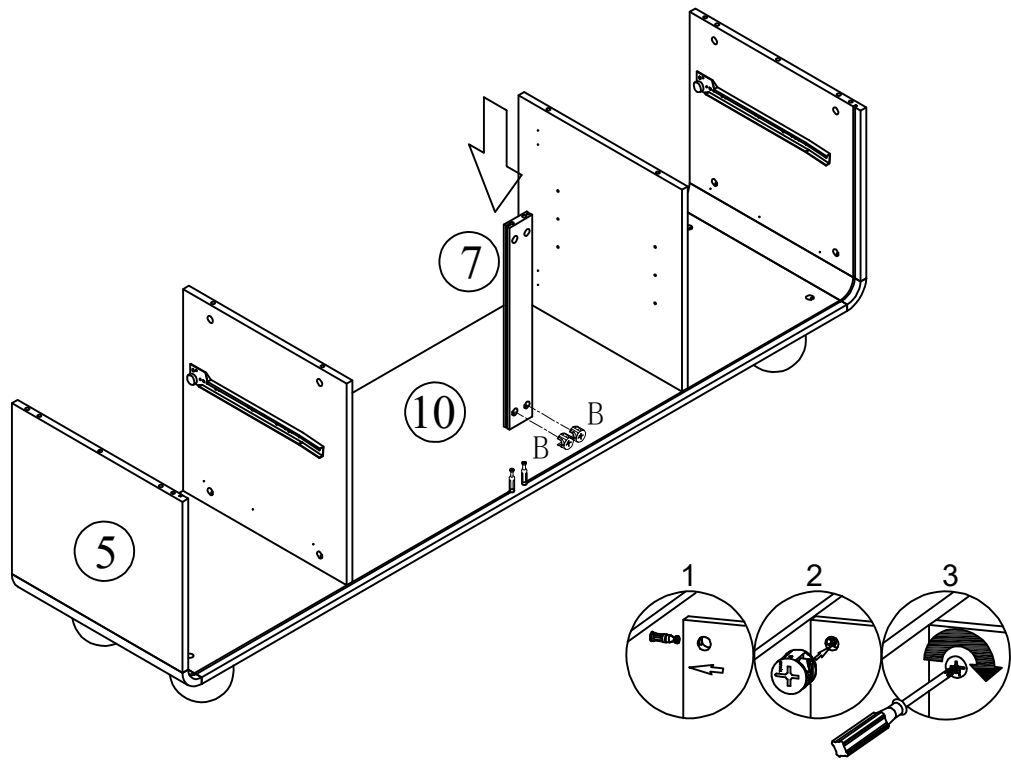
6



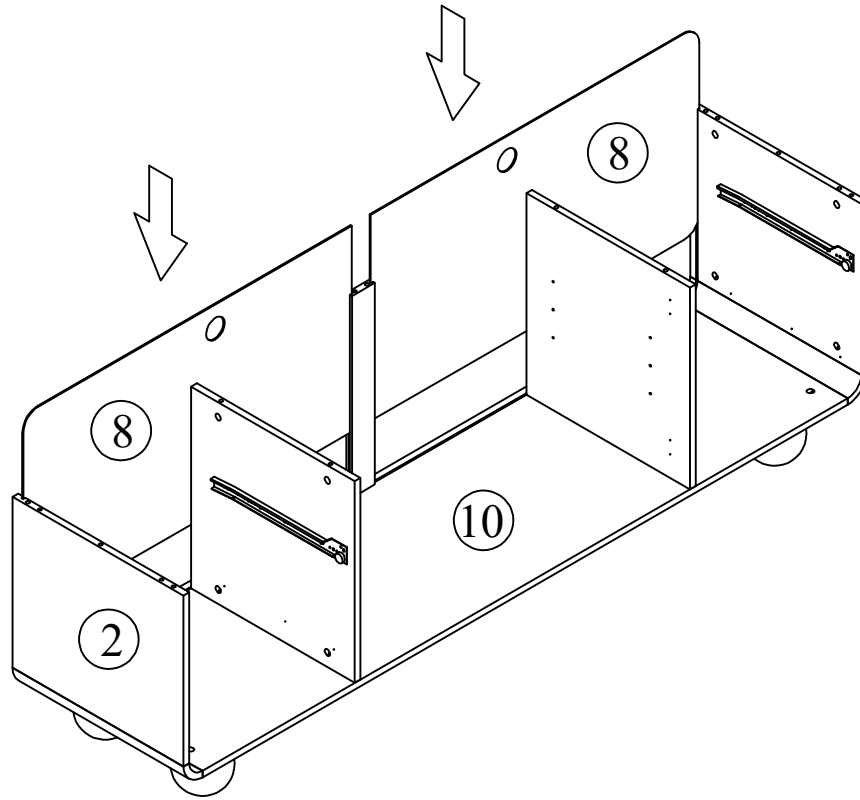
7



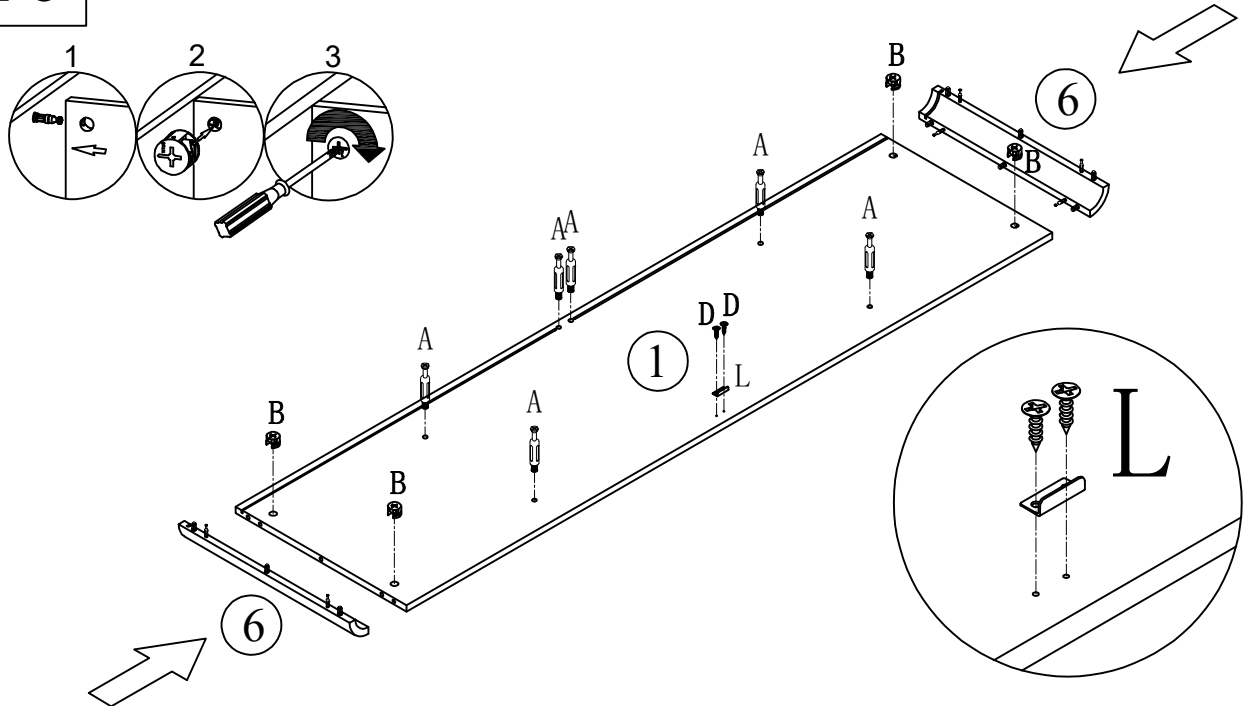
8







9

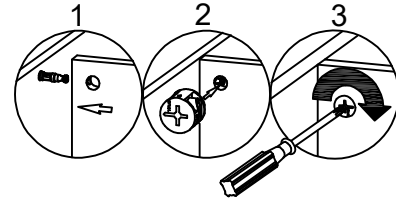
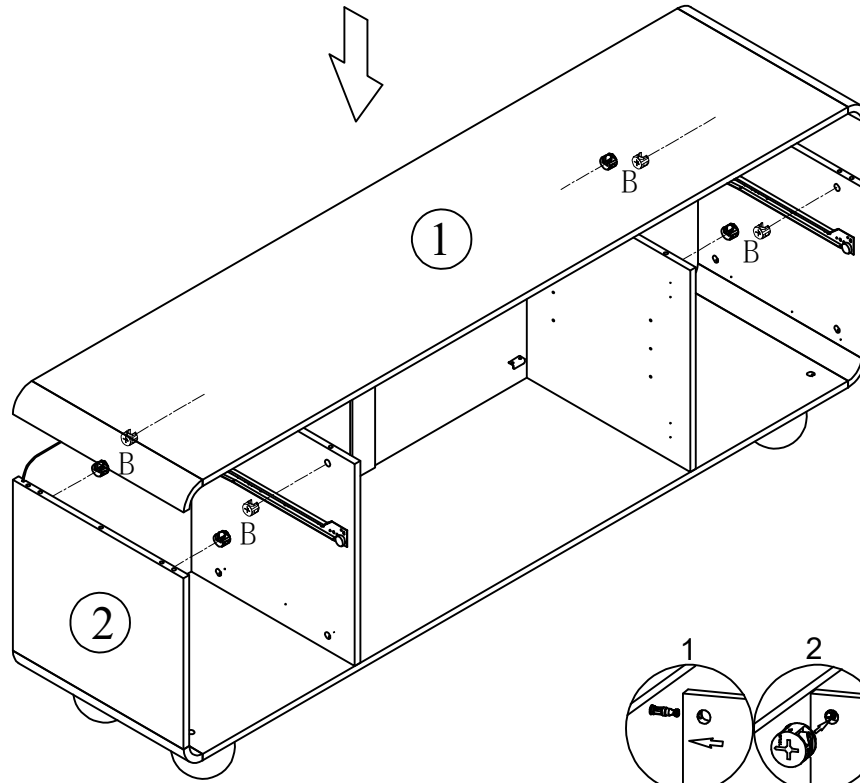


10

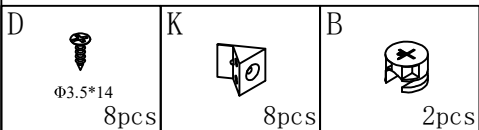
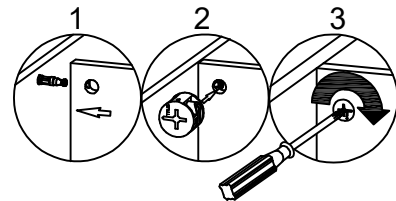
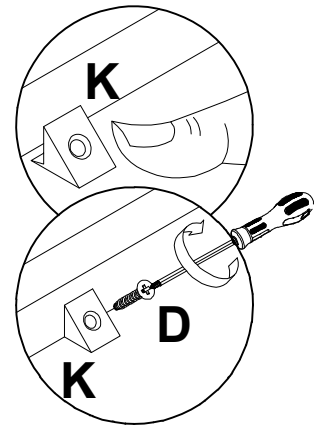
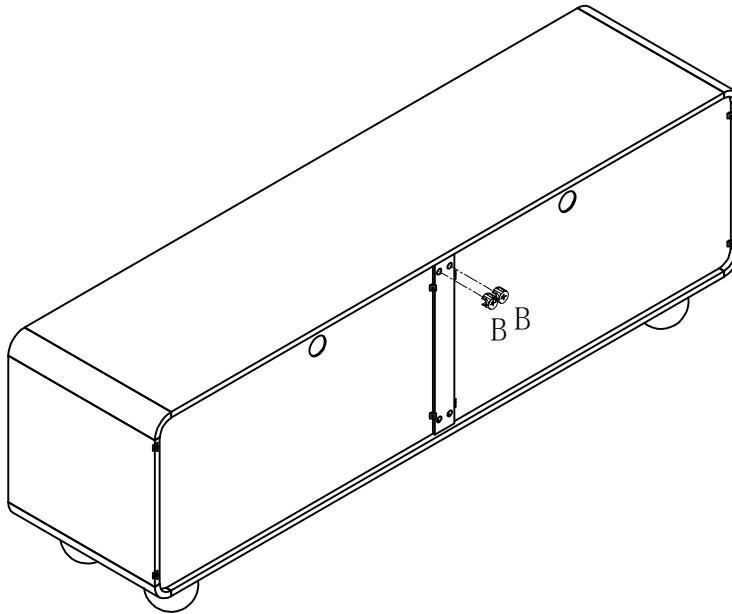


L	D	A	B
			
1pcs	Φ3.5*14 2pcs	6pcs	4pcs

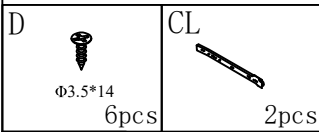
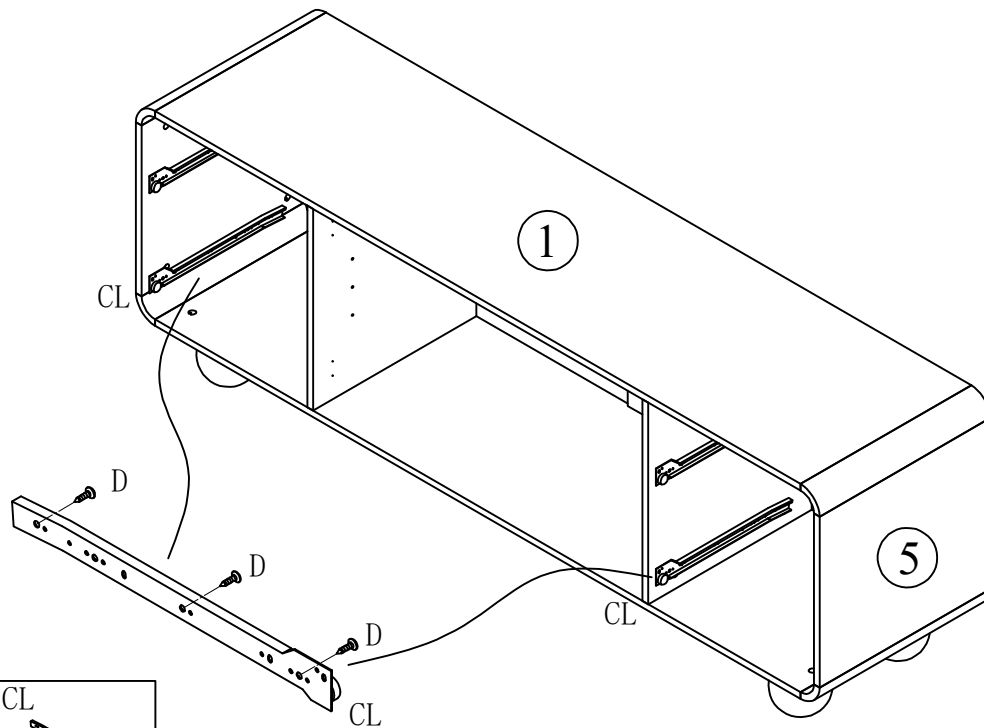
11



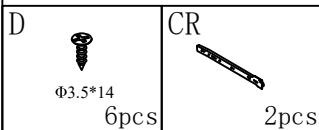
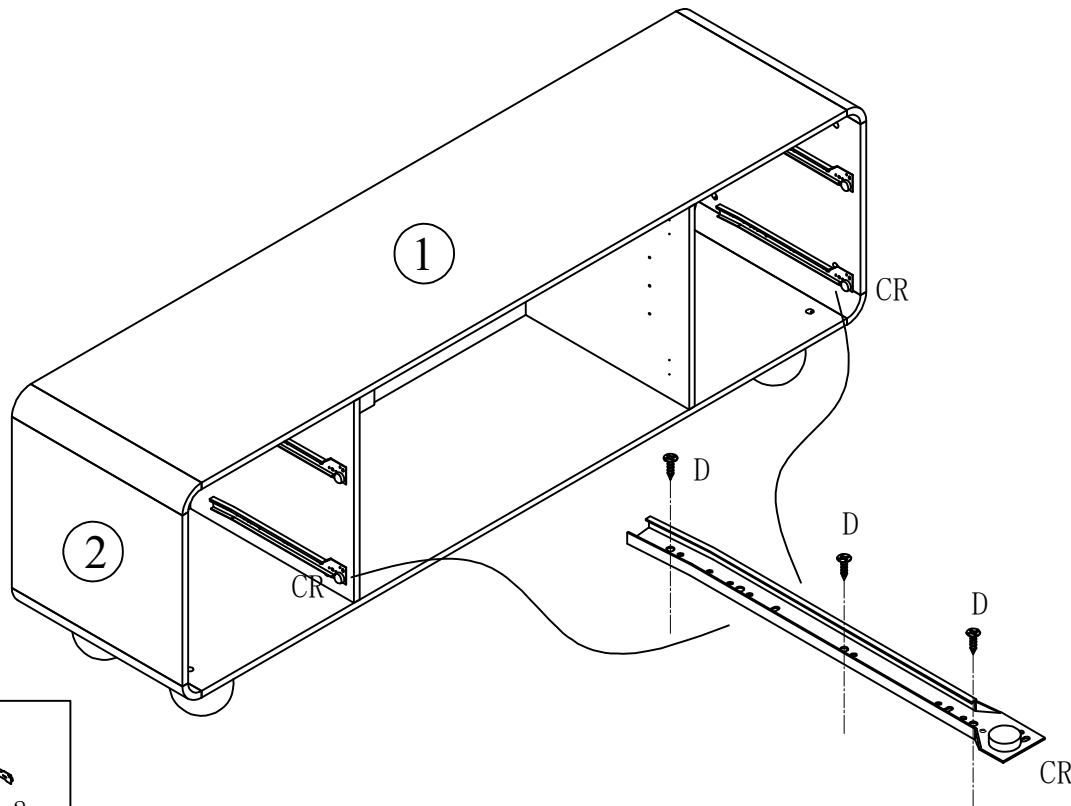
12



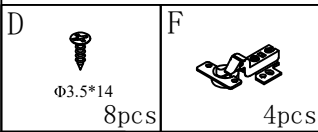
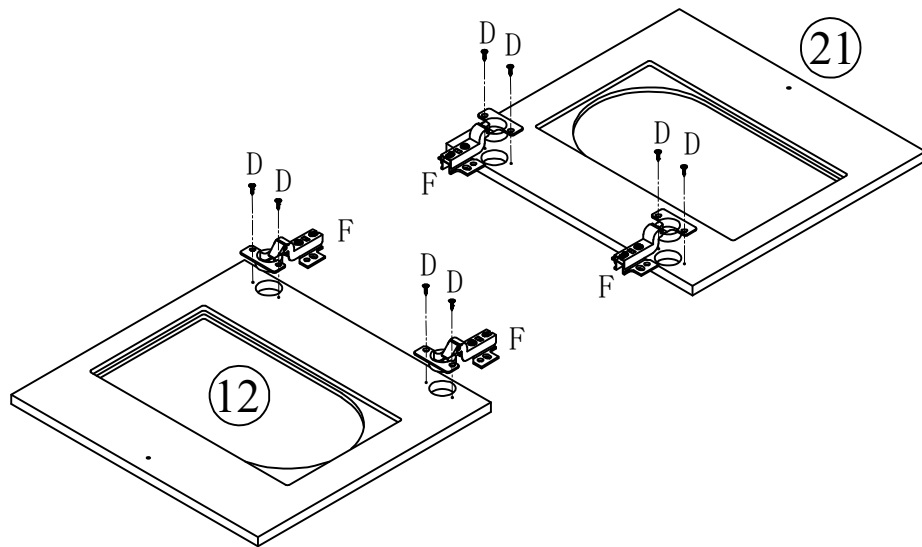
13



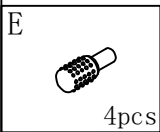
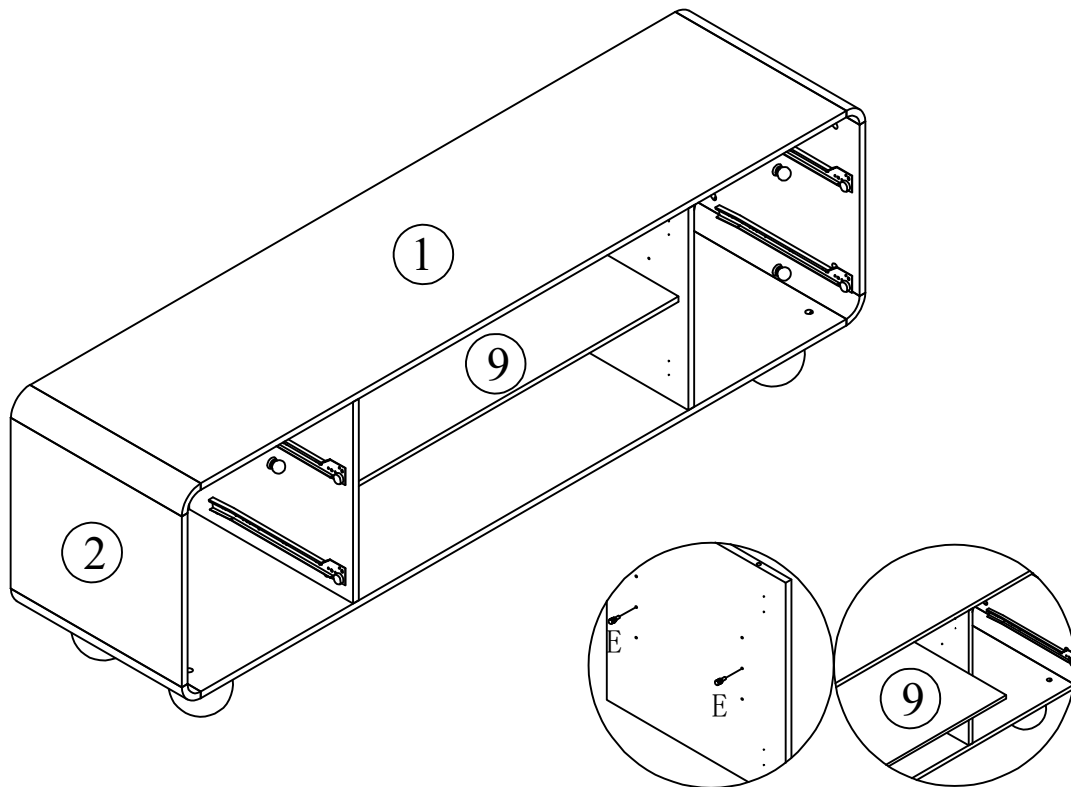
14



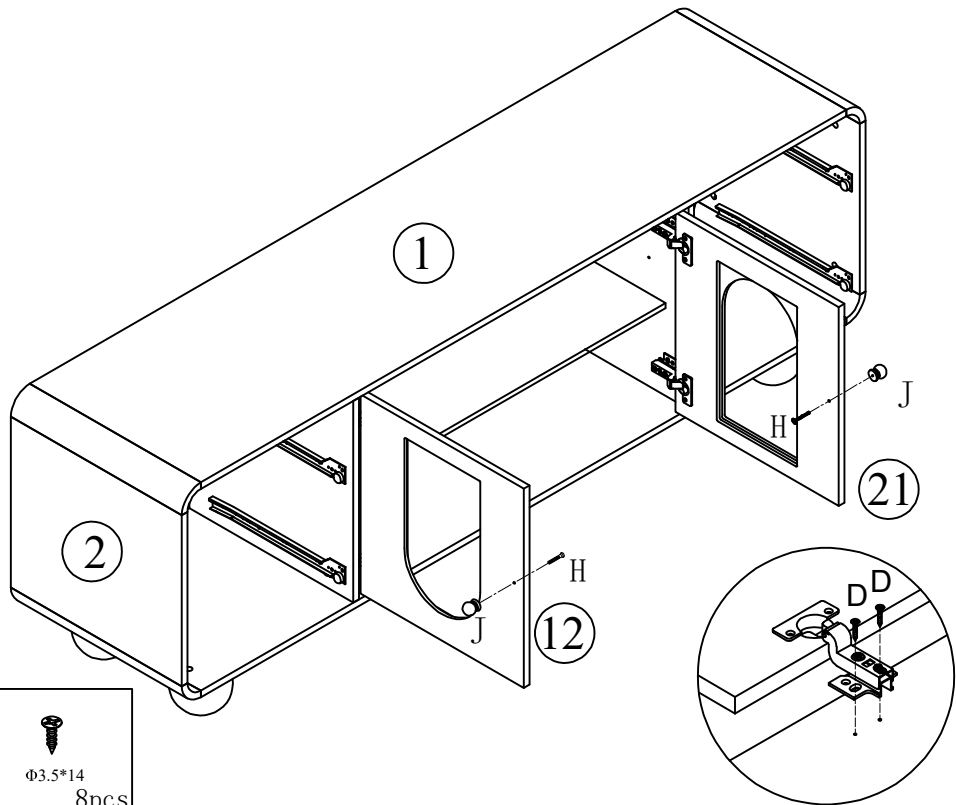
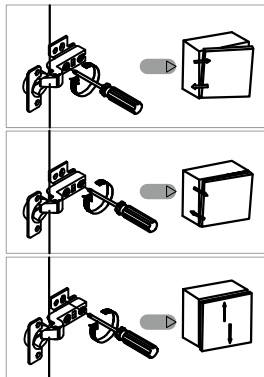
15






16

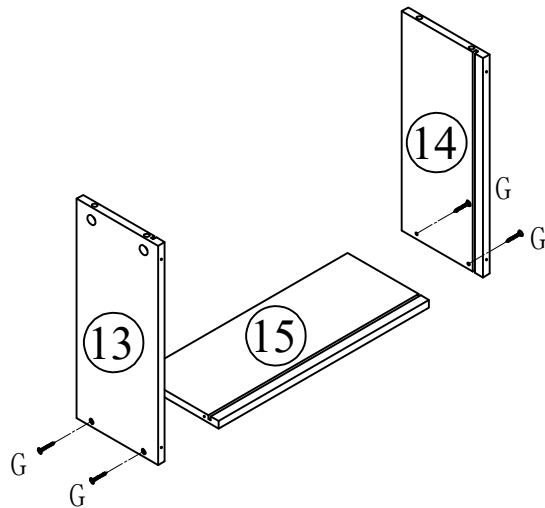



17



H	J	D
		
$\Phi 4*18$ 2pcs	2pcs	$\Phi 3.5*14$ 8pcs

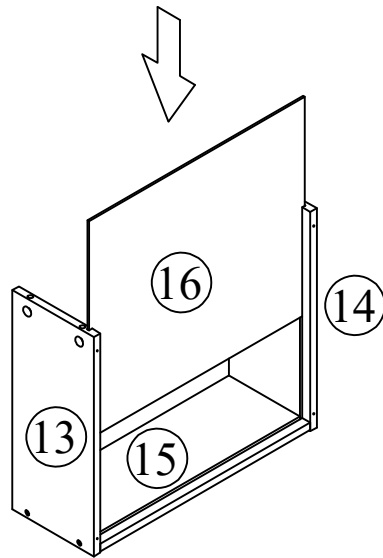
18



G

$\Phi 3.5*35$ 16pcs

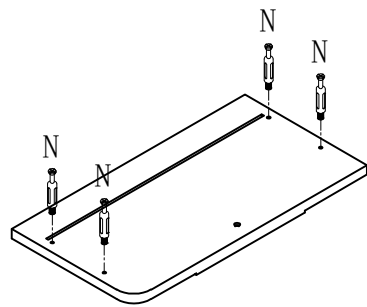
x 4

19

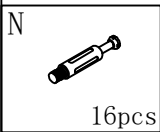
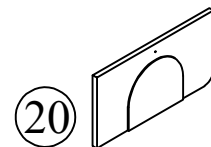
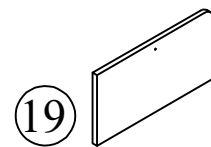
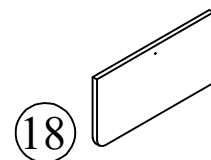
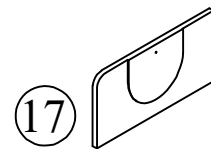


x 4

20

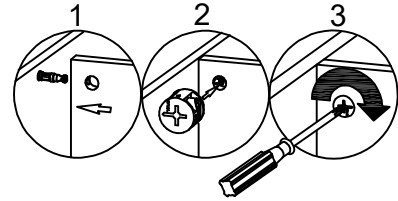
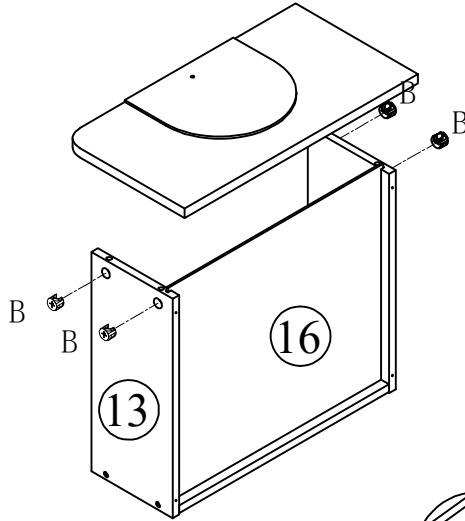


17/18/19/20



21

⑰/⑱/⑳

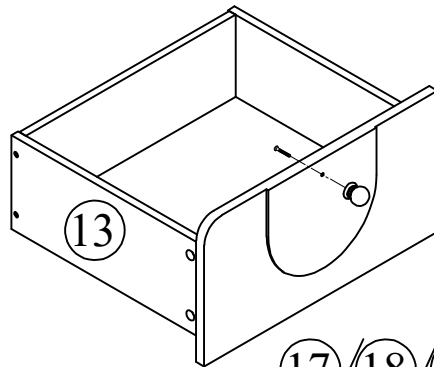


B



16pcs

22



⑰/⑱/⑳

H



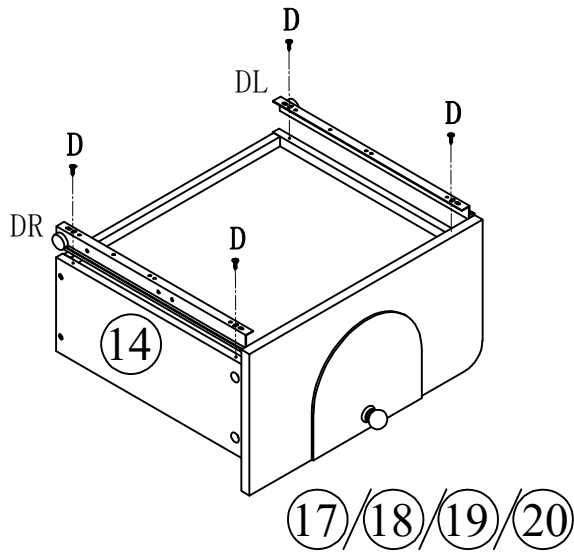
Φ4*18
4pcs

J



4pcs

23



D Φ3.5*14 16pcs	DL 4pcs	DR 4pcs
-----------------------	------------	------------

24

