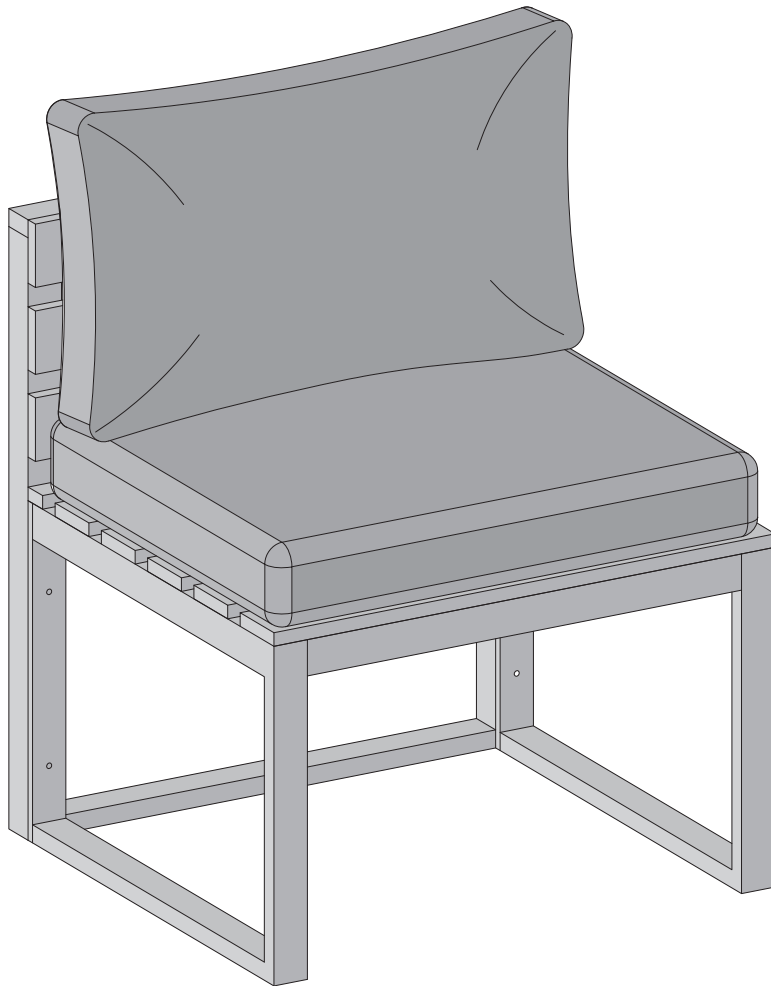
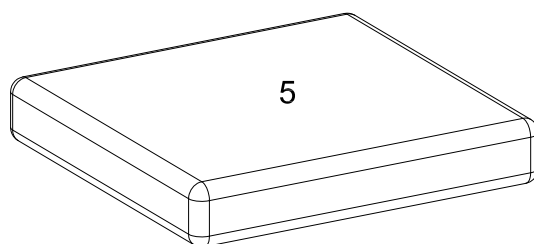
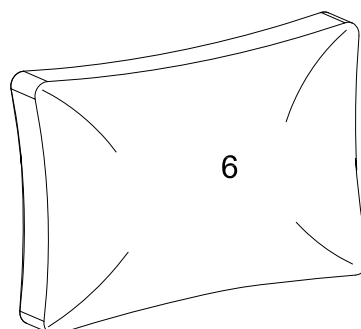
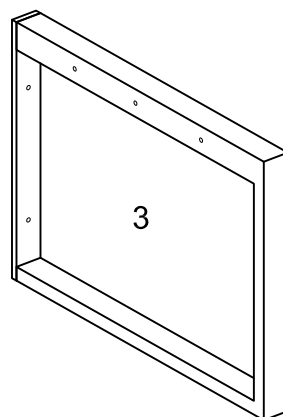
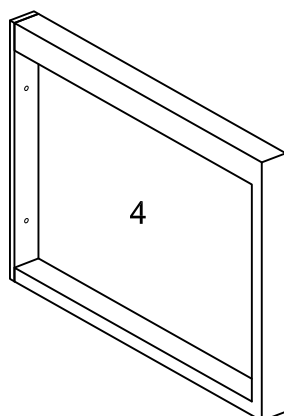
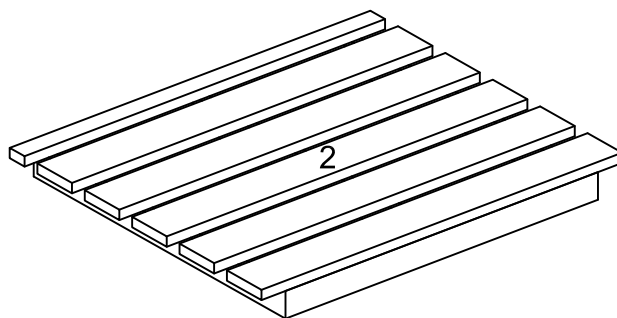
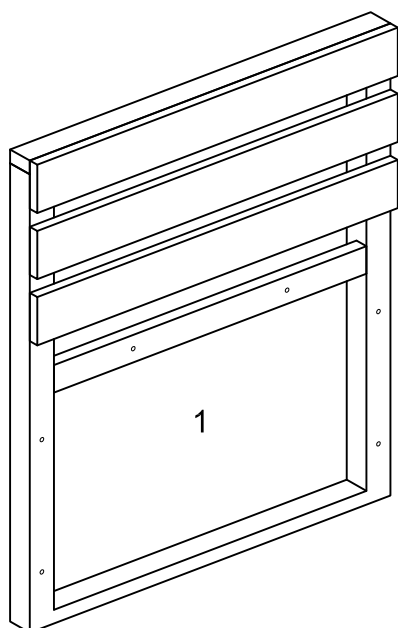





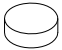
Assembly Instructions



Parts List

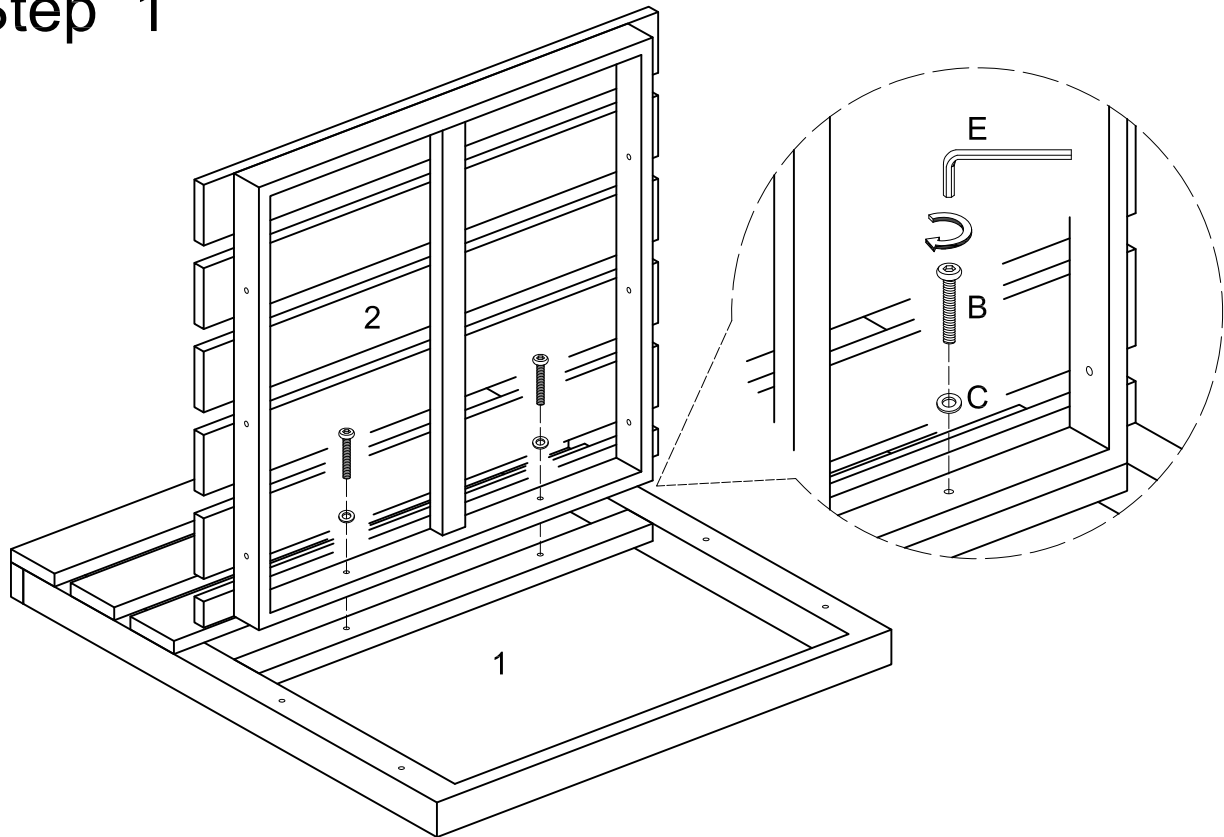


Hardware List

A		M6*25(mm)	Bolt	4 pcs
B		M6*35(mm)	Bolt	8 pcs
C			Washer	12 pcs
D			Bolt cap	12 pcs
E		M4(mm)	Wrench	1 pc

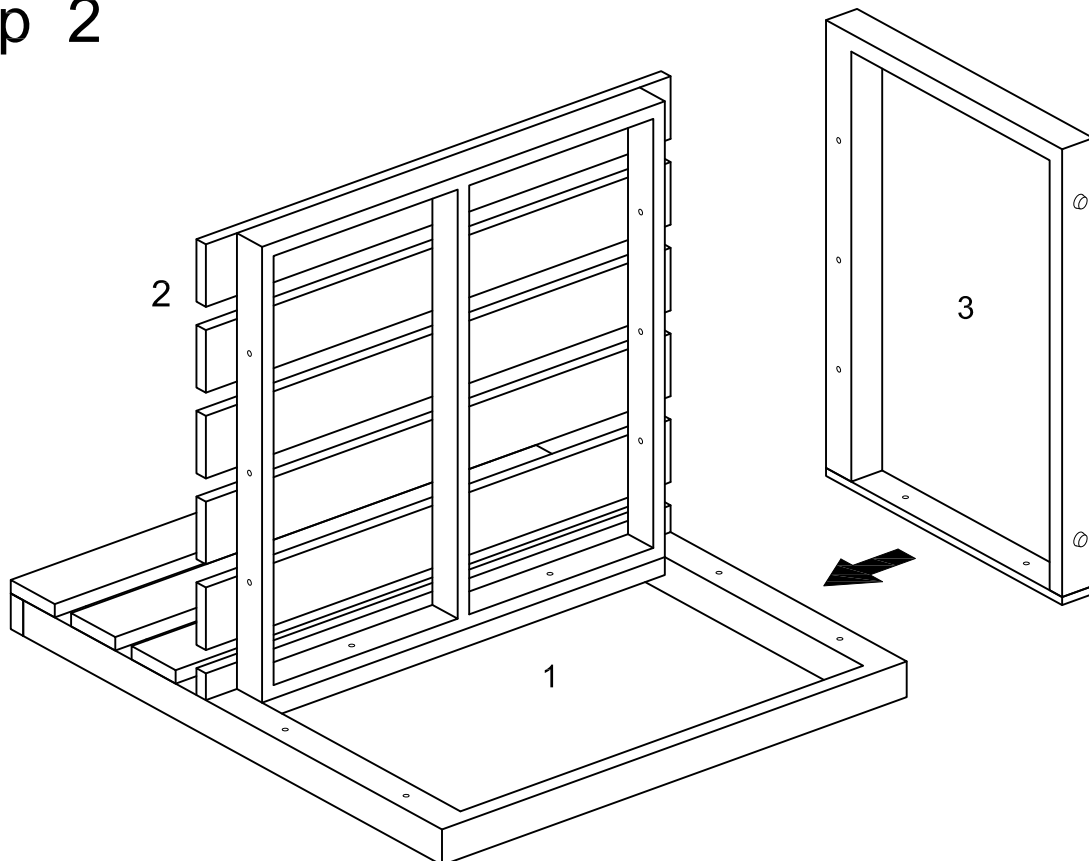
*The hardware quantities listed above are required for proper assembly.
Some extra hardware may also have been included.*

Step 1



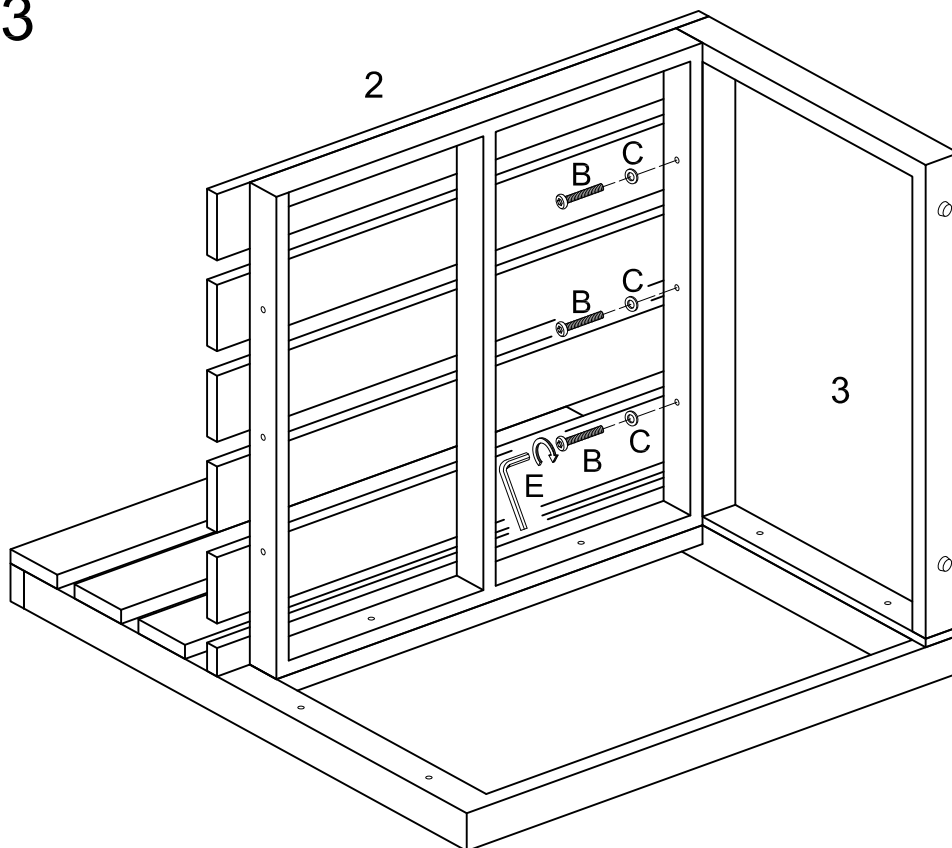
Attach seat frame (2) to the back frame (1) by using bolts (B) and washers (C). Tighten bolts (B) with wrench (E). Hands tighten the bolts only and do not tighten completely.

Step 2



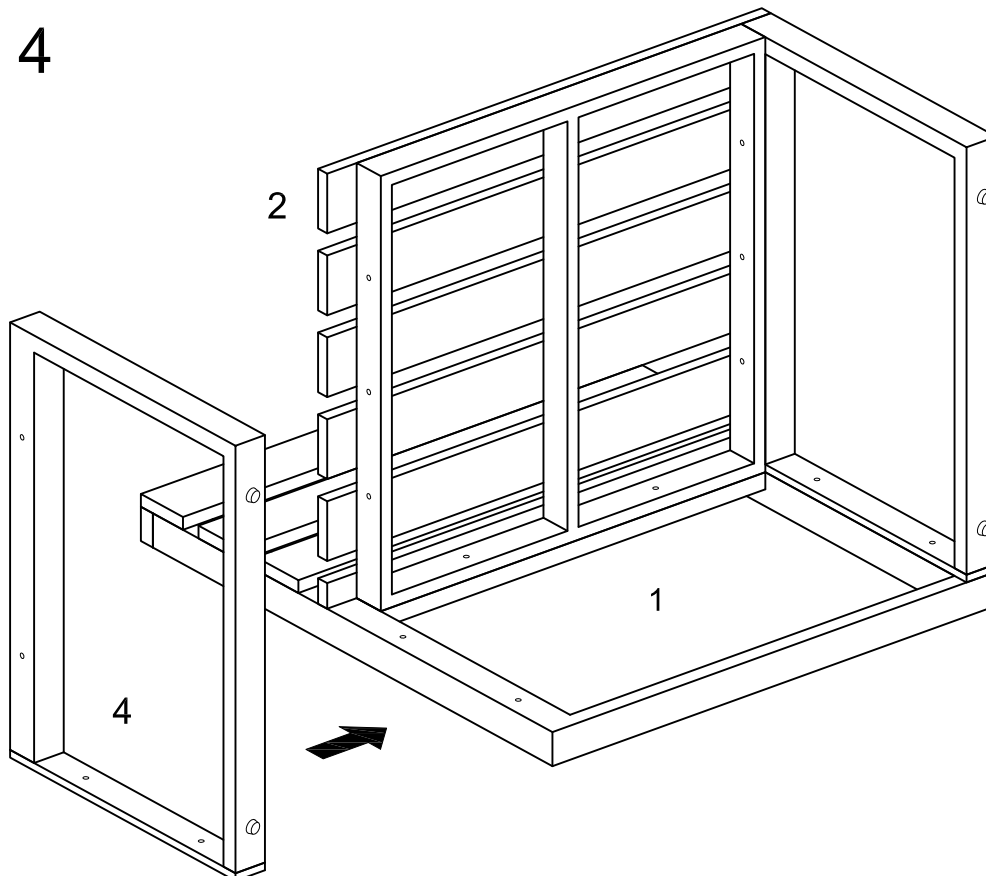
Attach left leg (3) to the back frame (1) and seat frame (2) .

Step 3



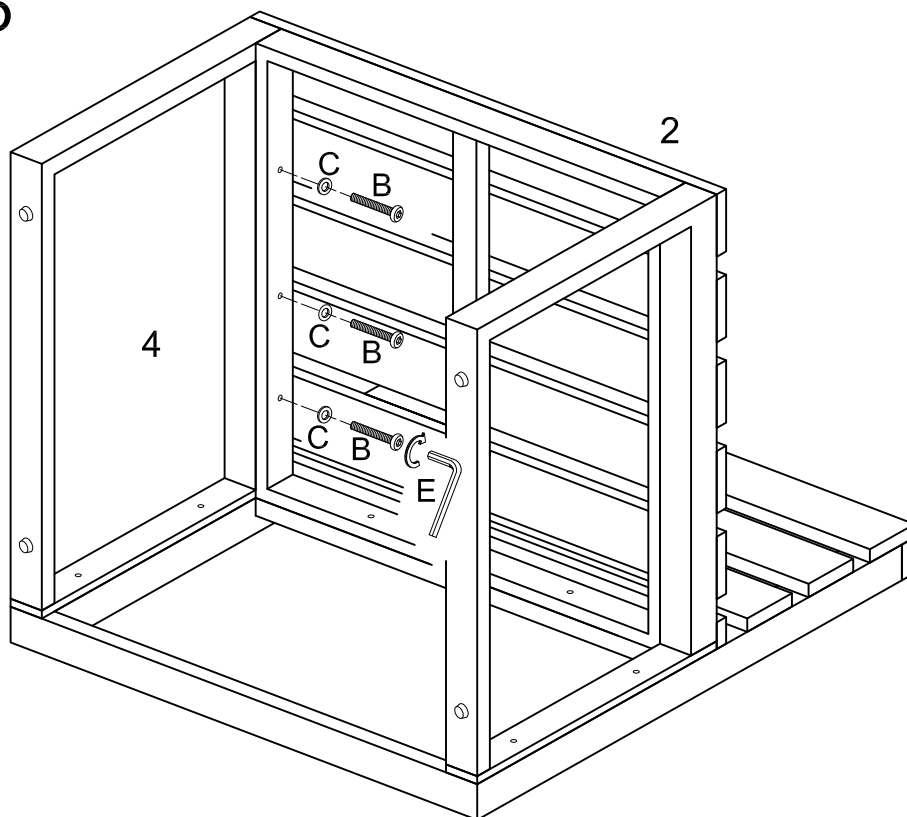
Attach left leg (3) to the seat frame (2) by using bolts (B) and washers (C). Tighten bolts (B) with wrench (E). Hands tighten the bolts only and do not tighten completely.

Step 4



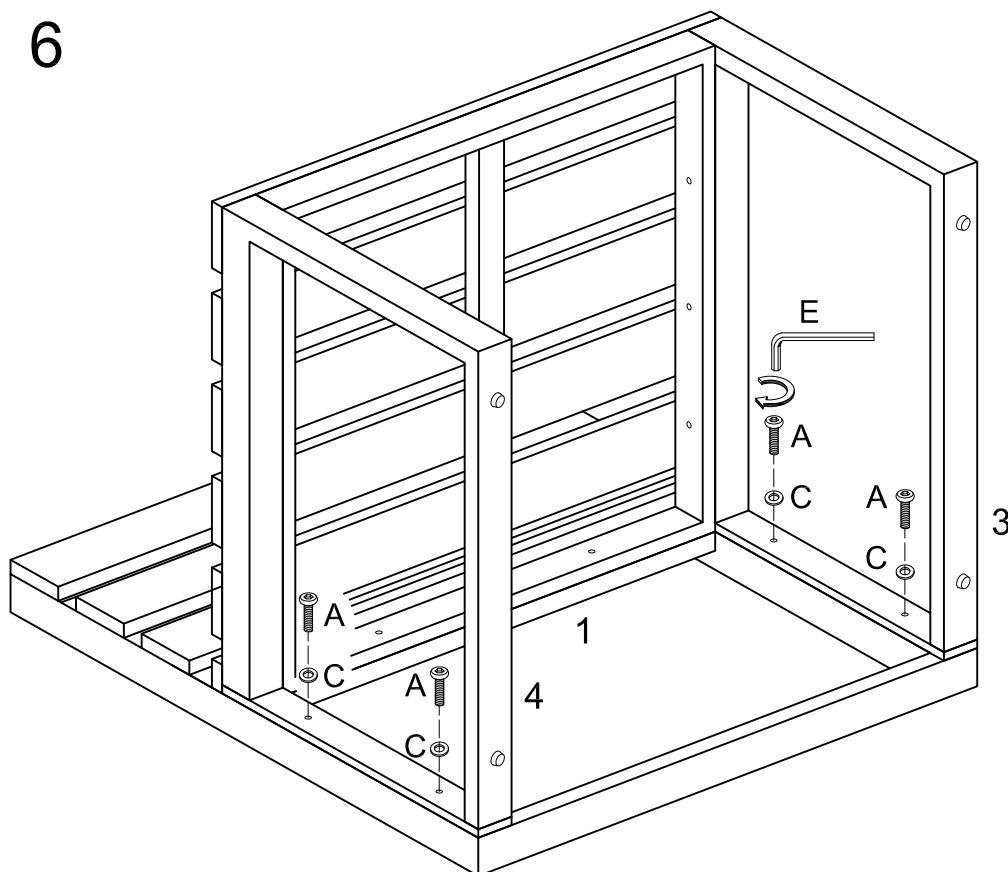
Attach right leg (4) to the back frame (1) and seat frame (2) .

Step 5



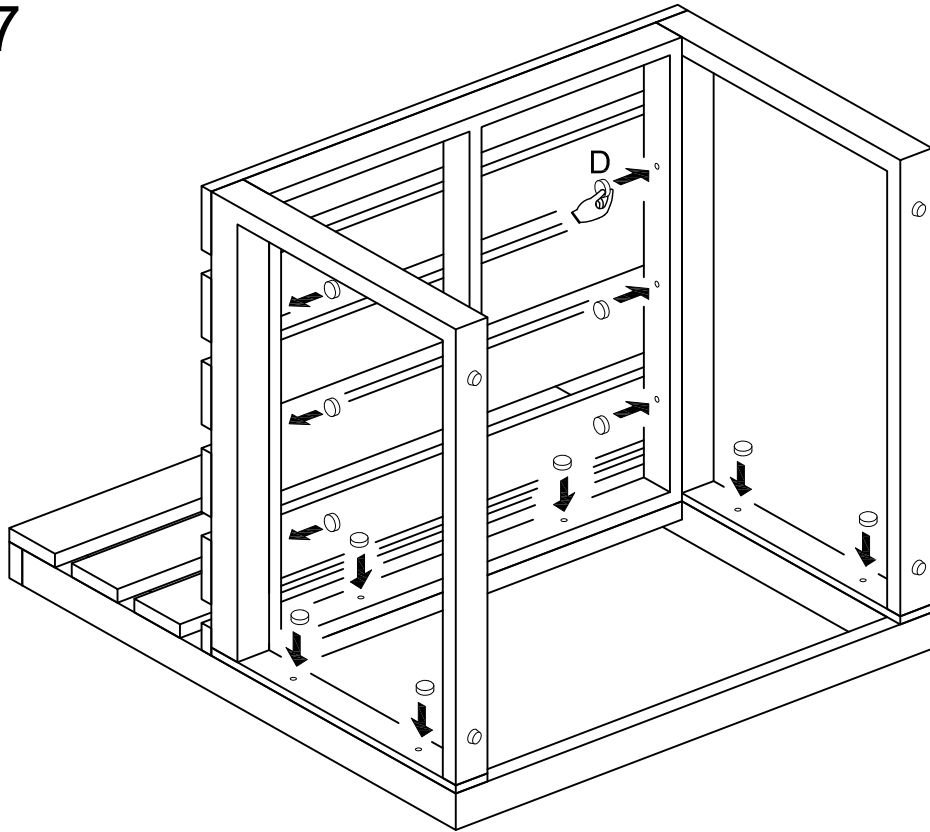
Attach right leg (4) to the seat frame (2) by using bolts (B) and washers (C). Tighten bolts (B) with wrench (E). Hands tighten the bolts only and do not tighten completely.

Step 6



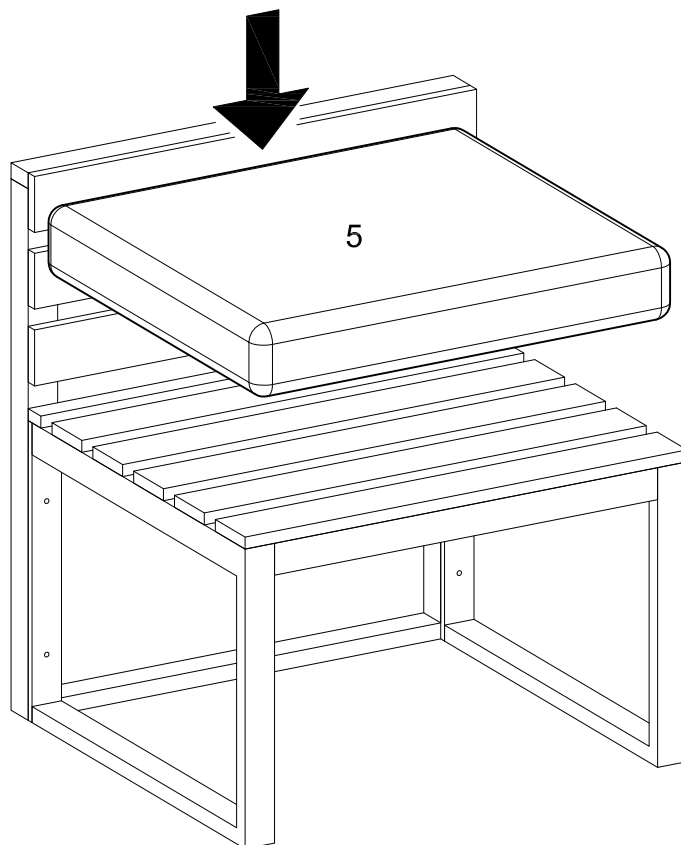
Attach left(right) leg (3 , 4) to the back frame (1) by using bolts (A) and washers (C). Tighten bolts (A) with wrench (E). Hands tighten the bolts only and do not tighten completely.

Step 7



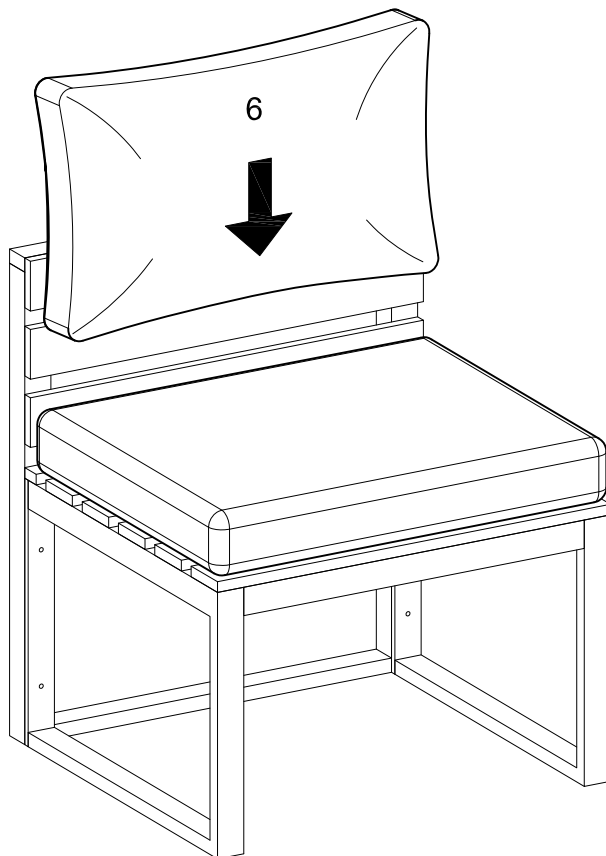
Tighten all bolts completely and cover them with the bolt caps (D).

Step 8



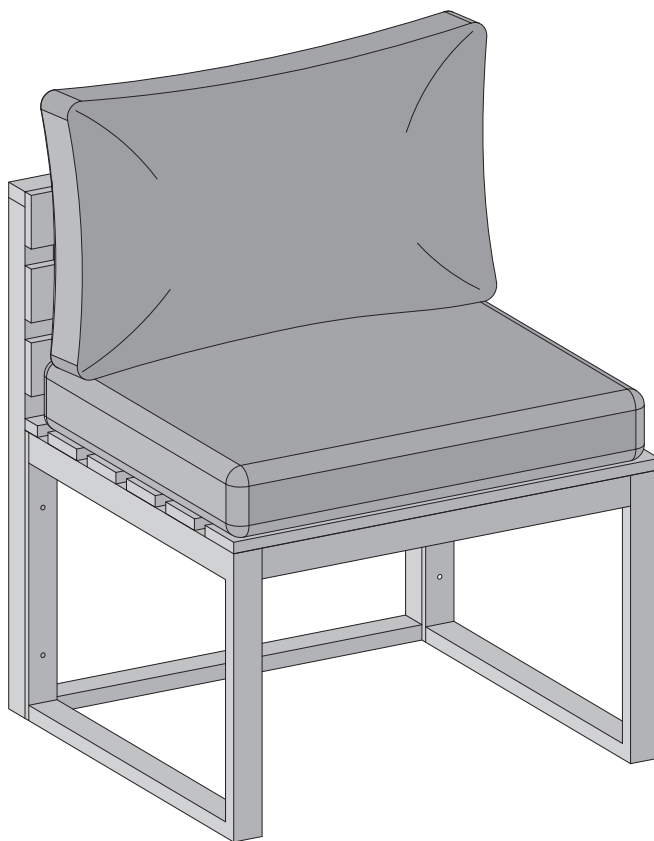
Put cushion (5) on the seat frame.

Step 9



Put pillows (6) on the seat frame.

Step 10



Final Assembly