

# NOTICE

\*Please make sure that you have all parts indicated and they are in good condition before you begin assembly of this item. Refer to part list and hardware list below for guidance.

\*This item should be assembled on a soft surface to prevent scratching the finish during assembly.

\*This item may require periodic tightening.

\*If you are having difficulty, our friendly Customer Care team is always here to help.

# PREPARATION

\* Before beginning assembly of product, make sure all parts are present. Compare parts with part contents list and hardware contents list.

\* If any part is missing or damaged, do not attempt to assemble the product.




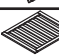


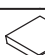
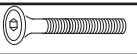
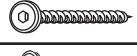
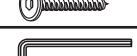

\* Estimated Assembly Time: 10 minutes.

\* Tools Required for Assembly (included): Allen Key

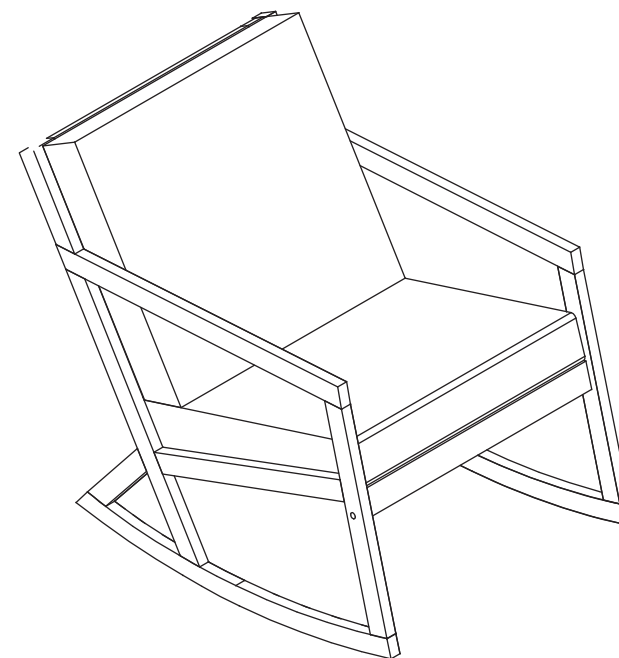
# CARE AND MAINTENANCE

Store outdoor furniture indoors or cover well when not in use. Remove wooden furniture from standing water. Dust regularly with small brush or vacuum. Spills should be taken care of immediately before they harden or stain with a slightly dampened sponge. Do not use bleach solutions

## Part List and Hardware List

PIECE	DESCRIPTION	PICTURE	QUANTITY
A	Left leg frame		1X
B	Right leg frame		1X
C	Back frame		1X
D	Seat frame		1X
E	Cross bar		1X
CSH1	Back cushion		1X
CSH2	Seat cushion		1X
HW1	Allen Bolt: M6x0.5x50 mm		4X
HW2	Screw: M6 x0.5 x60 mm		2X
HW3	Screw: M6 x0.5 x35 mm		4X
HW4	Allen key 4		1X

Product Dimensions: 25.6" W x 37.8" D x 30.7" H



**Weight Capacity : 220 lbs**

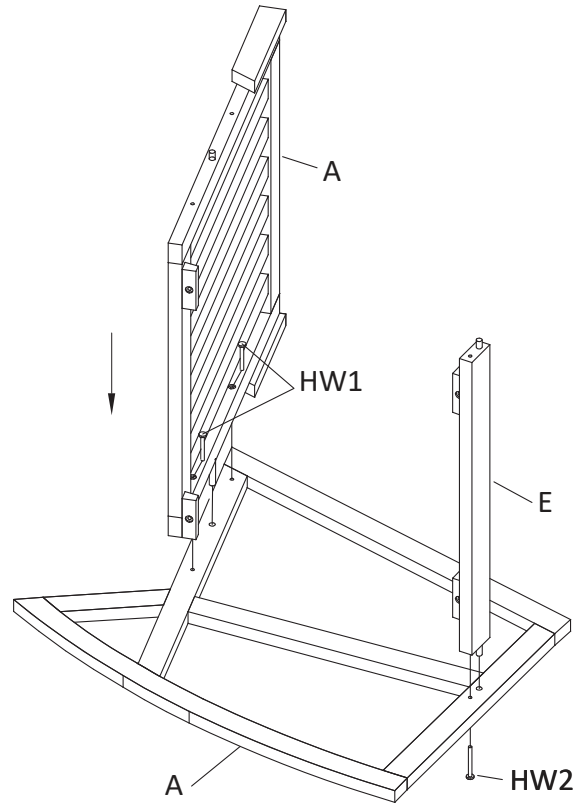
**Warning : Do not stand on chair**

**Warning : Do not over torque bolts / screws**

# PREPARATION

- \*Before beginning assembly of product, make sure all parts are present. Compare parts with package contents list and hardware contents list.
- \*If any part is missing or damaged, do not attempt to assemble the product.
- \* Estimated Assembly Time : 10 minutes.
- \* Tools Required for Assembly (included): Allen Key
- \* If you are having difficulty, our friendly Customer care team is always here to help.

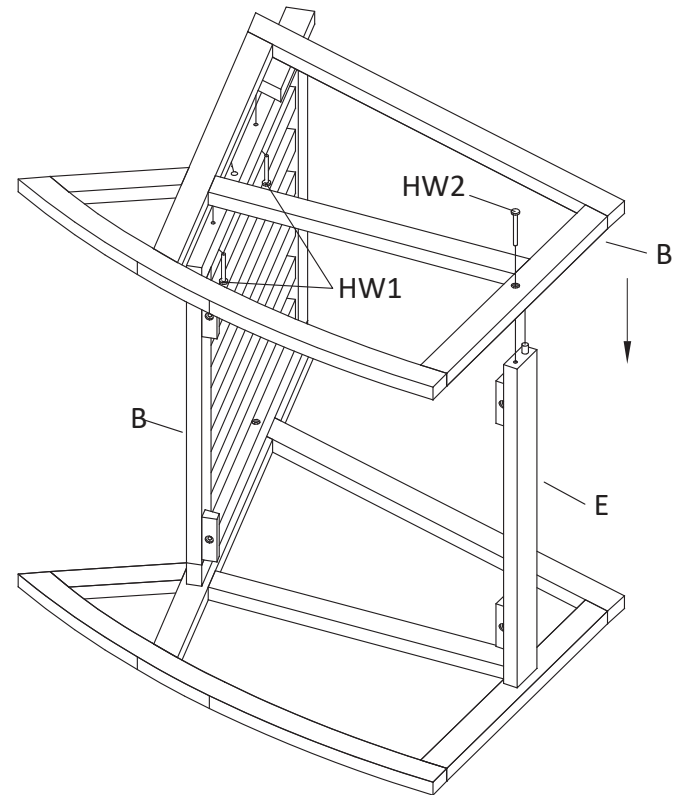
1



## Step 1

Attach Back frame (C), Cross bar (E) to Left leg frame (A). Using Screw (HW2) and Bolt (HW1), tighten with Allen key (HW4)

2



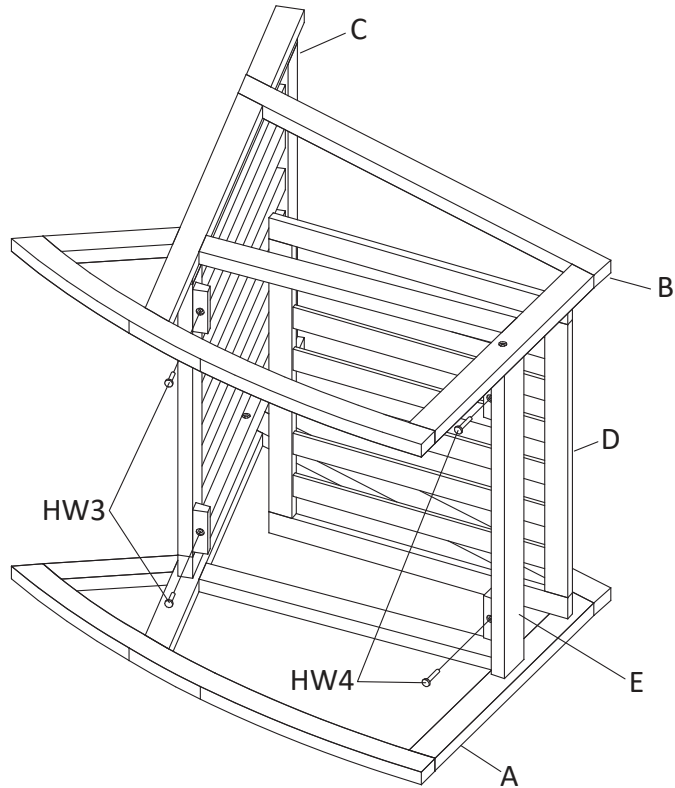
## Step 2

Attach Right leg frame (B) to the Cross bar (E) and the Back frame (C). Using Screw (HW2), Bolt (HW1), tighten with Allen key (HW4)

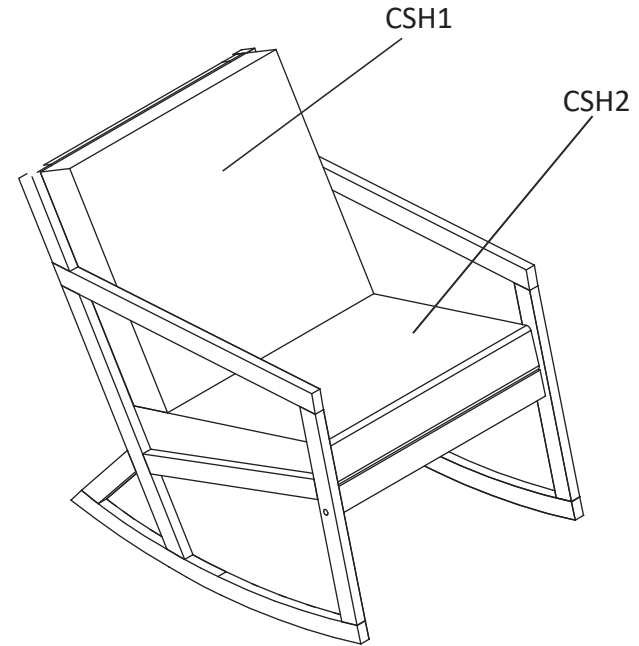
# PREPARATION

- \*Before beginning assembly of product, make sure all parts are present. Compare parts with package contents list and hardware contents list.
- \*If any part is missing or damaged, do not attempt to assemble the product.
- \* Estimated Assembly Time : 10 minutes.
- \* Tools Required for Assembly (included): Allen Key
- \* If you are having difficulty, our friendly Customer care team is always here to help. Please email [customersupport@safavieh.com](mailto:customersupport@safavieh.com)

3



4



## Step 3

Attach Seat frame ( D ) between the Left leg frame ( A ), the Right leg frame ( B ), the Cross bar ( E ) and the Back frame ( C ). Using Screw ( HW3 ) tighten with Allen key ( HW4 )

## Step 4

Place Back Cushion ( CSH1 ) and Seat Cushion ( CSH2 ) on the Chair. Finished