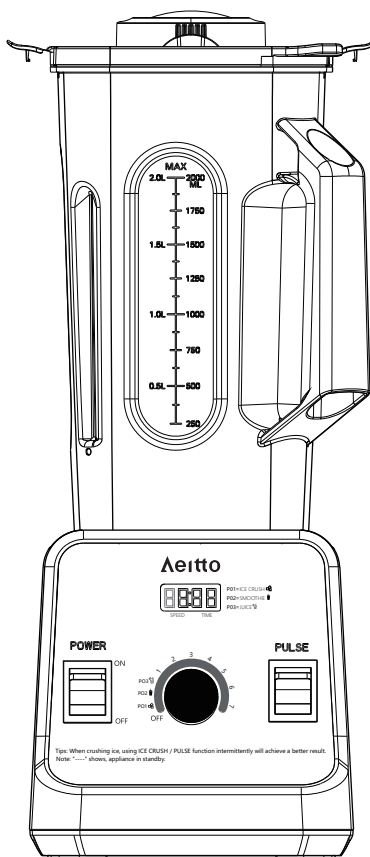


Aeitto

8168MTB

INSTRUCTION MANUAL

Read and save these instructions



www.Aeitto.com

**REGISTER
NOW!**

for an additional

**12^{months}
Warranty**

As a special thank-you for registering your Aeitto unit, you'll automatically receive an additional 12 months added to your limited manufacturer's warranty!

All you need to do is send your Amazon order ID to our Email: support@aeitto.com.



FREE upgrade to FULL Replacement Guarantee - no need to return.



Once registered, you will be ensured that if anything goes wrong with your product, we will either send you a brand new unit as a replacement (Absolutely FREE) or provide a FULL refund of your order.



Just send your Amazon Order ID to Email support@aeitto.com to activate the extended warranty.



Send:

Subject:

Amazon Order ID:

NOTE: Must register within 7 days after receiving your new product.

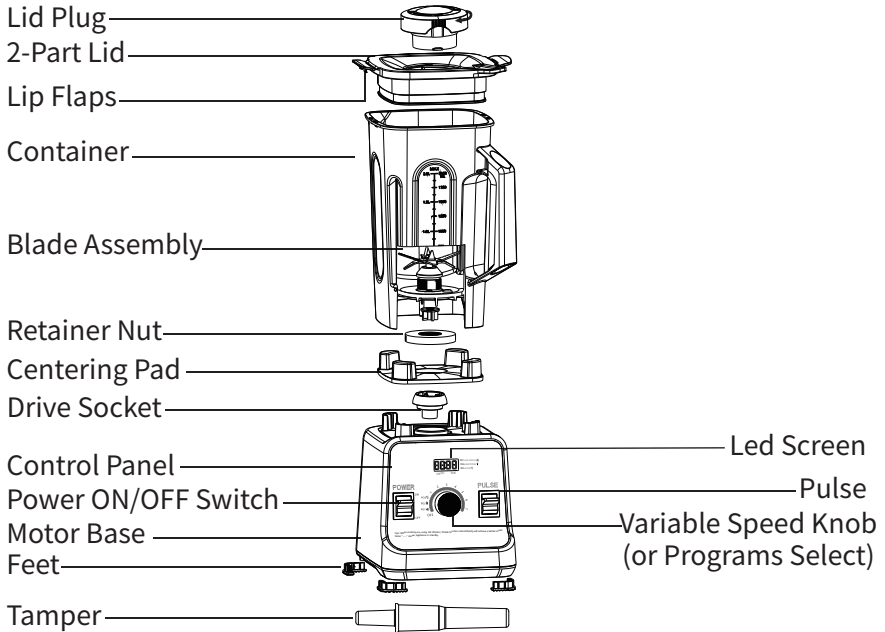
CONTENTS

I. Important Safeguaid	01
II. Parts and Features	02
III. Control Panel	03
IV. Blending	05
V. How to Use the Tamper	06
VI. Care and Cleaning	07
VII. Safety Indexes	08
VIII. Maintenance	08
IX. Trouble Shooting	09
X. Warranty	10

I. Important Safeguards

1. Please read this instruction before using.
2. Check that the voltage you use matches the rated voltage indicated by the appliance.
3. Do not immerse this appliance , power cord, plug into water or other liquid to avoid fire, leakage or endanger personal safety.
4. It should be monitored when using this appliance, do not let children and people without self-care close to blender.
5. Unplug when you do not use or clean the blender. When removing the jar, make sure the motor in static state.
6. If the power cord, plug damaged, electrical failure or other causes of product damage, please do not use it, but contact the manufacture's after-sales service (Email: support@aeitto.com).
7. If the power cord is damaged, it must be replaced by the manufacturer or authorized agent, or qualified technical personnel to avoid harm.
8. The product should be placed on the table or flat place, do not hang the power cord on the edge of the table or table.
9. Do not use the appliance or place it close to flammable gases and electric furnaces at high temperatures.
10. Do not open the jar cover and contact the blade before the product stops running.
11. The blade is very sharp. Be careful when installing, removing and cleaning to avoid cutting by the blade.
12. Do not use accessories recommended or sold by non-manufacturer, including jars, jar covers, etc., to avoid danger.
13. Do not soak in water or other liquids for cleaning jar with electrical components.
14. Please make sure the jar cover is installed in place before the appliance runs, otherwise the appliance can not work properly.
15. This appliance is not suitable for children, disabled people, mental patients, people who are allergic to motor noise or are not familiar with the appliance. Unless the guarantor gives full supervision and guidance to the above personnel. Children are forbidden to play with this product. Children under 8 years of age are not allowed to clean and maintain the appliance to avoid danger.
16. This appliance can not be used outdoors.
17. This appliance is suitable for household and similar purposes.
18. The appliance and power cord should be stored in a safe place to avoid children pulling power cords.
19. Keep this manual for future inspection.

II. Parts and Features



2-Part Lid:

It is easy to put on and take off, and easy to clean. Always use the lid and the lid plug when the machine is in operation.

CAUTION:

Lids are not interchangeable between different container styles, types, and sizes.

Lid Plug:

Insert through the lid and secure by turning clockwise. Remove the lid plug to use the tamper or add ingredients.

To Lock the Lid in Place:

1. Push the lid onto the container until it locks in place.
2. The lid must always be secured when processing, especially hot liquids that may scald.

WARNING

It is easy to put on and take off, and easy to clean. Always use the lid and the lid plug when the machine is in operation.

To Remove the Lid:

Lift up on one lid flap while holding the container securely.

To Remove the Lid Plug:

Rotate the lid plug counterclockwise from the “locked” to “unlocked” position and lift out.

Container:

Milliliters are clearly marked.

Centering Pad:

Designed for shock absorption.

⚠ CAUTION:

Do not disassemble the Centering Pad. Before using Blender, please make sure the Centering Pad is installed correctly (the Driver Socket runs smoothly when rotating it by hand) to avoid appliance damaged.

Automatic Overload Protection:

Your Aeitto motor is designed to protect itself from overheating. If the motor shuts off, follow these instructions:

Turn off the power switch for up to 45 minutes to reset. Reset time will be extended if high room temperatures exist. To reduce the reset time, unplug the machine, remove the container, and blow air into the center section of the bottom with a hair dryer on the cool setting.

III. Control Panel

ON/OFF Switch

The ON/OFF switch controls power to the machine.

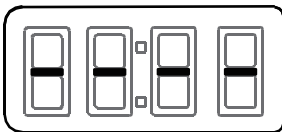
Variable Speed Knob

Switch the Power Button to ON position, appliance in standby (Screen shows "----")

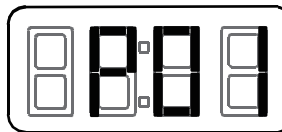
In standby mode:

You can select your desired programs (ICE CRUSH=P01 SMOOTHIE=P02 JUICE=P03)

In standby mode, rotate the variable speed knob clockwise to select "P01", "P02" or "P03", blender starts working after 2 flashes of "P01", "P02" or "P03" on screen.



Standby Mode



ICE CRUSH=P01

Tips: Blender will stop at the end of the program automatically.

You can also stop programs by switching POWER button to OFF position or rotating the variable speed knob anticlockwise to standby mode at any time.

ICE CRUSH =P01 SMOOTHIE =P02 JUICE =P03

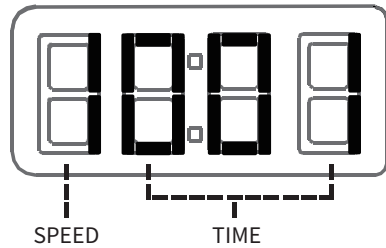
When crushing ice, crushing no more than 500 grams will achieve a better result!

You can also select desired speed from 1 to 7 .

In standby mode, rotate the variable speed knob clockwise, you can choose your desired speed after crossing P01, P02 and P03.

The first number of screen "color orange" shows the current speed.

The other 3 numbers shows continuous working time.



Tips: Blender can be stopped by switching POWER button to OFF position or rotating the variable speed knob anticlockwise to standby mode after crossing P01, P02 and P03 at any time .

Note:

Switch the POWER button to ON position, blender is standby (LED screen shows "----"). Make sure the container put onto the motor base correctly.

LED Screen:

1. Selected program working mode:

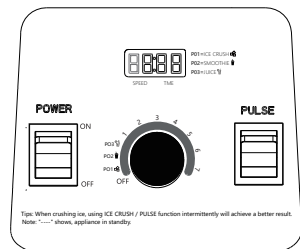
The first number (color orange) of screen shows a clockwise spinning flash. The other 3 number shows left-time countdown.

2. Variable speed working mode:

The first number of screen shows current working speed when you choose variable speed from 1 to 7. The other 3 number shows continuous working time.

Pulse

The blades will rotate at the highest speed when pressed. Under control of variable speed knob, pressing switch of Pulse, the blades will rotate at the highest speed. When release, blender will rotate at the speed set before. In standby mode, pressing switch Pulse, the blades will rotate at the highest speed. When release, blender will back to standby mode.



IV. Blending

⚠ WARNING



To Avoid Possible Burns, Never Start on Speeds Above 1 when Processing Hot Liquids.



Escaping steam, splashes or contents may burn. Always start on Variable 1, then slowly increase the higher speed.



If a cup becomes warm to the touch of steams or vents, immediately stop blending ingredients and turn off or unplug blender. Allow the cup and ingredients to cool to room temperature before removing the blade base.



Parts will become hot with extended use. DO NOT touch the drive socket in the blender base or the drive socket.

To avoid damage or personal injury, DO NOT use the cups (including the blade base or lids) in the microwave.



1. Load your container according to your recipe or the load order in the illustration here.

IMPORTANT!

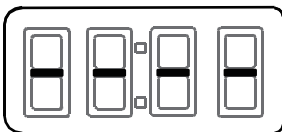
Always use the lid and the lid plug when the machine is in operation. Never operate the blender without checking to make sure that the lid and lid plug are securely locked in place.

2. Push the lid down into place and lock both lid flaps onto the lip of the container by pressing. Insert the lid plug. Turn the lid plug clockwise to lock.
3. Put the container onto the base correctly.
4. Switch POWER button to ON position to standby mode.
5. **Switch the Power Button to ON position, appliance in standby (Screen shows "----").**

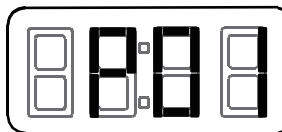
In standby mode:

You can select your desired programs (ICE CRUSH=P01 SMOOTHIE=P02 JUICE=P03)

In standby mode, rotate the variable speed knob clockwise to select "P01", "P02" or "P03", blender starts working after 2 flashes of "P01", "P02" or "P03" on screen.



Standby Mode



ICE CRUSH=P01

Tips: Blender will stop at the end of the program automatically.

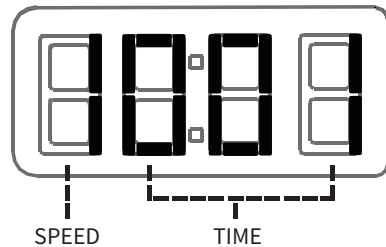
You can also stop programs by switching POWER button to OFF position or rotating the variable speed knob anticlockwise to standby mode at any time.

You can also select desired speed from 1 to 7 .

In standby mode, rotate the variable speed knob clockwise, you can choose your desired speed after crossing P01, P02 and P03.

The first number of screen "color orange" shows the current speed.

The other 3 numbers shows lefttime countdown.



Tips: Blender can be stopped by switching POWER button to OFF position or rotating the variable speed knob anticlockwise to standby mode after crossing P01, P02 and P03 at any time .

6. At the end of the blend, rotate the variable speed knob counterclockwise to standby mode or shut off by switching to OFF position.

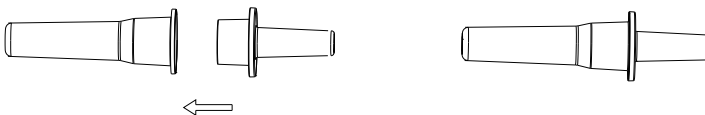
If the mixture stops circulating, use the tamper to press mixture toward the blades. If this does not work, press the power switch to OFF position to stop the motor. Remove the container from the blender base and press the air bubble away from the blades. Add liquid if necessary. Secure the lid and lid plug. Return the container to the blender base and continue blending.

7. After blending, wait until the blades completely stop before removing the lid or container from the blender base.

Tips to prevent overloading your blender:

- Do not process recipes at lower or higher speeds than recommended.
- Do not process recipes for longer than recommended.
- Use your tamper to process thicker mixtures and keep ingredients moving around and through the blades.

V. How to Use the Tamper



Before use, please assemble the 2 pars of tamper as above.

IMPORTANT! The splash disk (near the top of the tamper) and lid prevent the tamper from hitting the blades when the lid is secured properly in the locked position.

- The container should not be more than two-thirds full when the tamper is used during blending.
- To avoid overheating during blending, DO NOT use the tamper for more than 30 consecutive seconds.
- If food ingredients does not circulate, the blender may have trapped an air bubble. Carefully remove the lid plug, while making sure the lid stays firmly in place. Release the air bubble by inserting the tamper through the lid plug opening.
- Holding the tamper straight down may not help the ingredients circulate. If necessary, point the tamper towards the sides or corners of the container. **DO NOT try to force the tamper deeper into the container.**
- **DO NOT use other objects (such as chopsticks, spoons...) to replace the Tamper to avoid machine broken or even body hazard!**

VI. Care and Cleaning

BEFORE FIRST USE:

1. Wipe the base with a warm damp cloth and wipe clean with a dry, soft cloth. Wash the container, lid, lid plug, and tamper with warm, soapy water. Rinse all parts. Wipe dry with a dry, soft cloth.
2. Choose a space on the counter that is level, dry and clean. Plug the blender into a grounded, 3-prong outlet.

Note:The container is designed to be completely cleanable without removing the retainer nut and blade assembly.

DO NOT attempt to remove the retainer nut or blade assembly from the container. Our Normal Cleaning and Sanitizing procedures or a dishwasher cleaning cycle will ensure a complete and thorough cleaning of your container and its components. If your container is damaged, please do not use. Contact Aeito Customer Service IMMEDIATELY for assistance (Email : support@aeitto.com).

Follow these instructions if you prefer not to wash your container in the dishwasher.

1. Fill the container half full with warm water and add a couple of drops of dishwashing liquid.
2. Snap or push the complete 2-Part lid into the locked position.
3. Press the power switch to ON position. Slowly increase variable speed to 7 by rotating the variable speed knob clockwise.
4. Run the machine for 30 to 60 seconds.
5. Rotate the variable speed knob counterclockwise to standby mode (Screen shows "----"), shut off by switching to OFF position. You can also shut off by switching to OFF position.
6. Rinse and drain all pieces.

Lids, Lid Plug, Tamper, and Container

All parts listed above are dishwasher safe. If preferred, wash the parts in warm soapy water. Rinse clean under running water, then dry.

Blender Base

1. Turn off and unplug the blender.

 **WARNING**

To Avoid Injury and Damage.

To avoid inadvertent activation, turn off and unplug the blender before cleaning

Electrical Shock Hazard.

Always unplug before cleaning the blender base or when not in use.

Do not put the blender base in water or other liquid.

Failure to follow instructions can cause death or electrical shock.

2. Wash the outside surface with a damp, soft cloth or sponge that has been rinsed in a mild solution of liquid dish soap and warm water. Do not place the blender base in water.
3. Immediately dry all surfaces and polish with a soft cloth.

VII. Safety Indexes

Product Name	Countertop Blender
Product Model	8168MTB
Rated Voltage	120V
Frequency	60Hz
Power	1500W
Capacity	2000ML
Max Rotating Speed	25000rpm

VIII. Maintenance

1. When making bubble-prone food, please considering the actual situation to decide running time and speed.

2. When blending especially liquids, be sure to start slowly but not instantly to avoid impact, which would cause spattering.
3. When blending immobile mixture, please use pulse function or tamper as assistant.
4. When making smoothies, to add adequate water will be helpful to operate and shorten the time.
5. Unplug the power cord before cleaning.
6. Clean the appliance and other parts immediately after use.
7. Please clean the container in time after use every time and when it is idle for more than ten minutes.
8. Before storing the appliance, make sure it is clean and dry.
9. If you don't use it for a long time, please unplug the power cord and pay attention to the dust and insect.

Warning: The blade is very sharp, please handle it carefully.

IX. Trouble Shooting

08

If the device does not work properly, check whether you are able to rectify the problem yourself. If the problem cannot be solved with the steps below, contact the customer service department (Email : support@aeitto.com).

Fault Phenomenon	Analysis of cause	Fault resolution
Machine not work.	Container was not placed in correctly position. The POWER button was not switched to ON position.	Put the container onto the base correctly. Switch the POWER button to ON position, blender is standby (LED screen shows "----").
Over vibration. Machine is not stable when placed on flat.	The base not stand well.	Place base on flat. Check feets on the button of base, contact our after-sales service (support@aeitto.com) if feets lost or broken.
	The container not stand well on base.	Place container well, do not shake ti, align with the driving sheel and coupler.
There is a little gas bubble overflow from transparent lid.	Too many food ingredients.	Please follow the recipe to operate the machine.
	Too much water.	Please adjust the water quantity.
Food not broken into pieces.	Too much or too little water.	Please add water to the correct levelquantity.

X. Warranty

We are delighted that you have chosen the Aeito blender and hope you have a fun with it. The manufacturer 's warranty covers the product for a period of 12 months from the date of purchase against manufacturing faults.

If you have any questions about the device and about spare parts/accessories, contact the customer service department via



support@aeitto.com



www.aeito.com



facebook.com/Aeito

Through the following channels,
you can quickly contact us.



support@aeitto.com



www.aeitto.com



facebook.com/Aeitto