

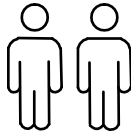
ASSEMBLY INSTRUCTIONS

bed - king

+ Do Not Use Power Tools



+ Suggested Adults



NOTE:

- 1 Read instructions cover to cover.
- 2 Save all packaging until assembly is completed.

1 IMPORTANT SAFETY INFORMATION

Do not assemble the product if any of the following parts arrived damaged:

- Part #③ -Side Rails
- Part #⑤ -Center Support Bar
- Part #⑥ -Support Legs
- Part #⑦ -Slats

2 IMPORTANT ASSEMBLY INFORMATION

Assembly Step ③ Ensure the side rail bracket is fully hooked onto bolt A loosely threaded with both washers on the **OUTSIDE** of the bracket first, then proceed to fully tightening all 4 corners.

Assembly Step ⑨ When installing slats, ensure that the curve is facing upwards. (↖) (↗)

*Slats come packed in the bottom of headboard carton.

+ Parts Included

① Head Board (1pc) 	② Foot Board (1pc) 	③ Side Rails (2pcs)
④ Double Plastic cap (30pcs) 	⑤ Center Support Bar (2pcs) 	⑥ Support Legs (4pcs)
⑦ Slats (45pcs) *Slats come packed in the bottom of headboard carton.	⑧ Single Plastic cap (30pcs) 	⑨ - Metal bar (2pcs)
	⑩ - Metal bar (2pcs) 	⑪ - Metal bar (2pcs)
	⑫ - Metal bar (2pcs) 	⑬ - Metal bar (1pc)

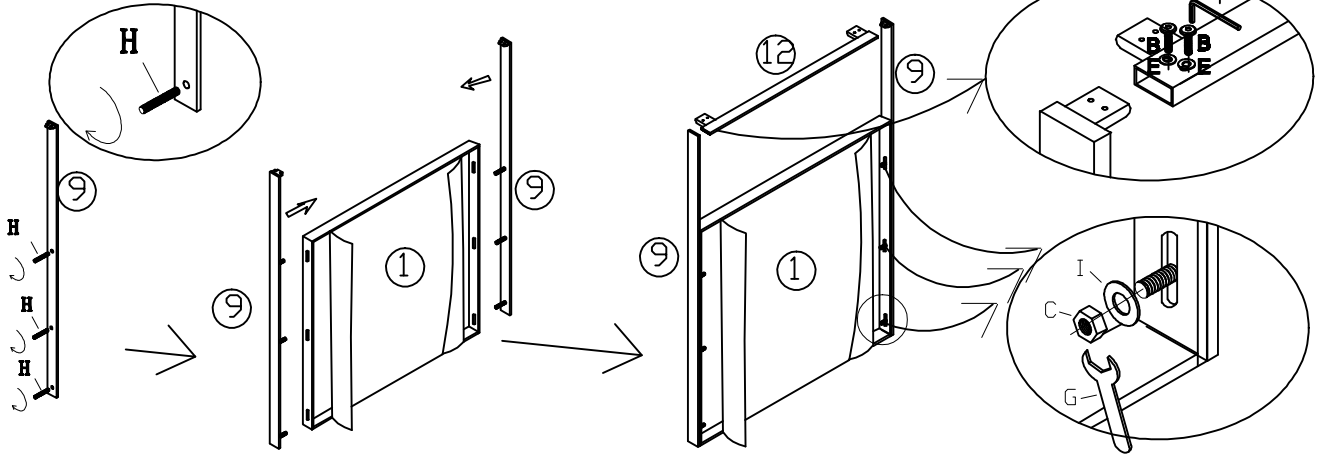
+ Hardware Included

A Bolt M8*30mm (32pcs) 	B Bolt M8*20mm (20pcs) 	C Nut M8*13mm (18pcs)
D Spring Washer (18pcs) 	E flat washer 10x20mm (52pcs) 	F M8 Allen Key 1pc
G Spanner 1pc 	H M8*82mm 6pcs 	I flat washer 10x25mm (10pcs)
J M8*125mm 4pcs 		

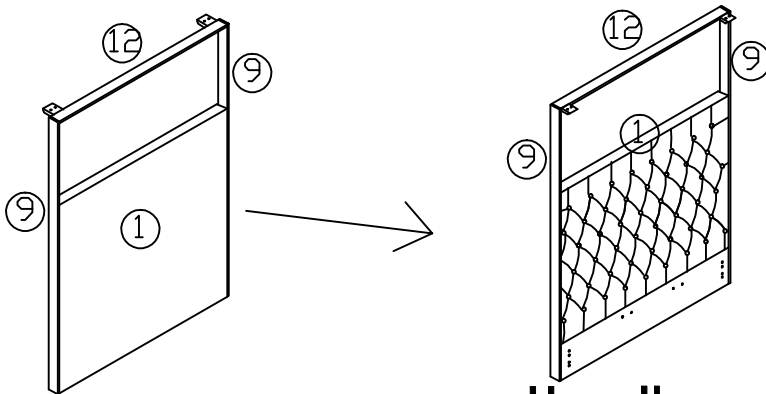
ASSEMBLY INSTRUCTIONS

bed - king

STEP 1:

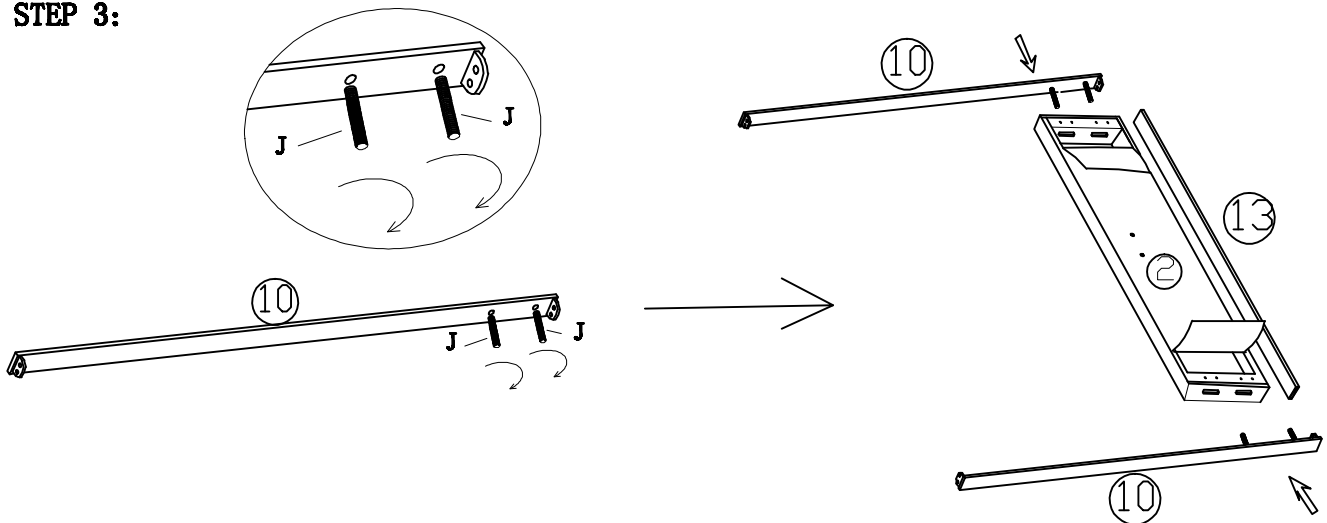


STEP 2:



Headboard is assembled

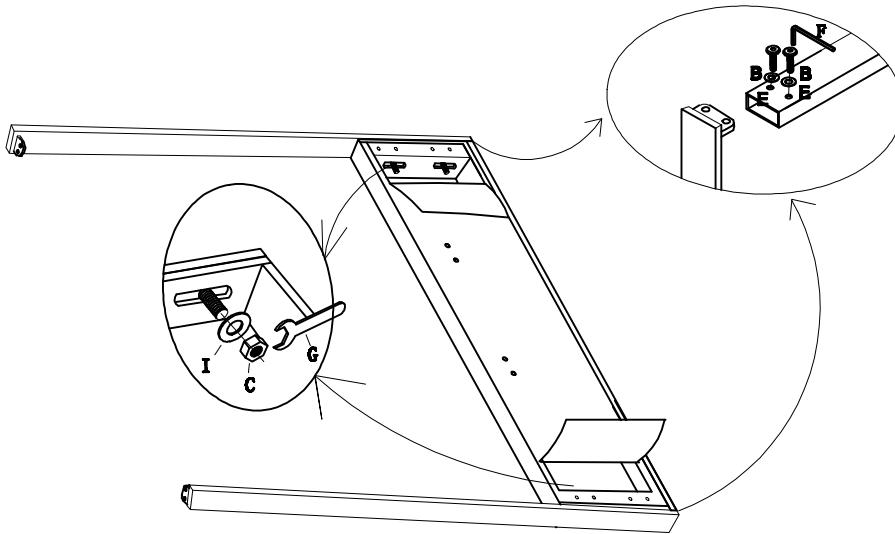
STEP 3:



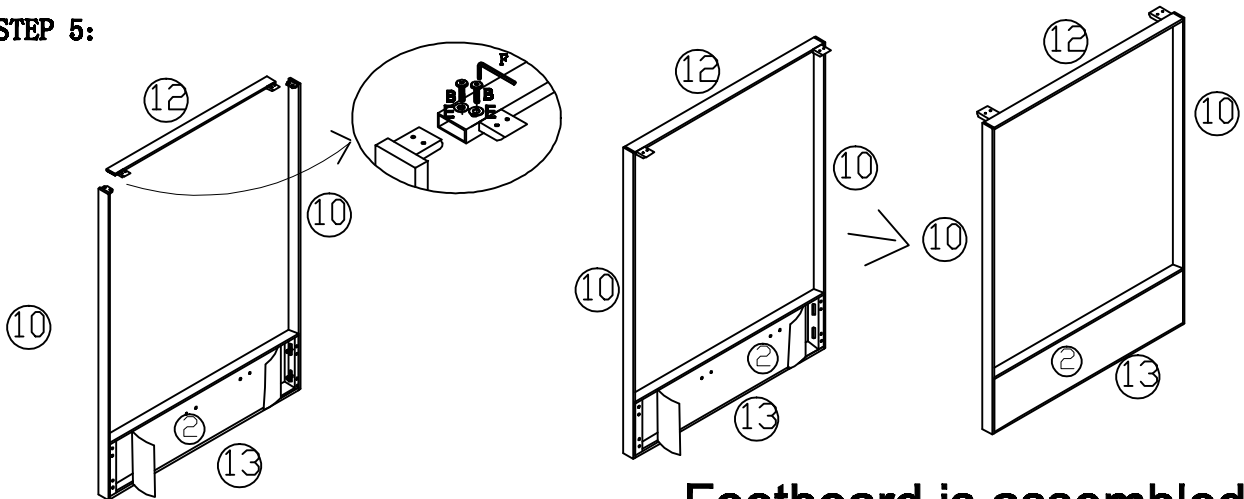
ASSEMBLY INSTRUCTIONS

bed - king

STEP 4:

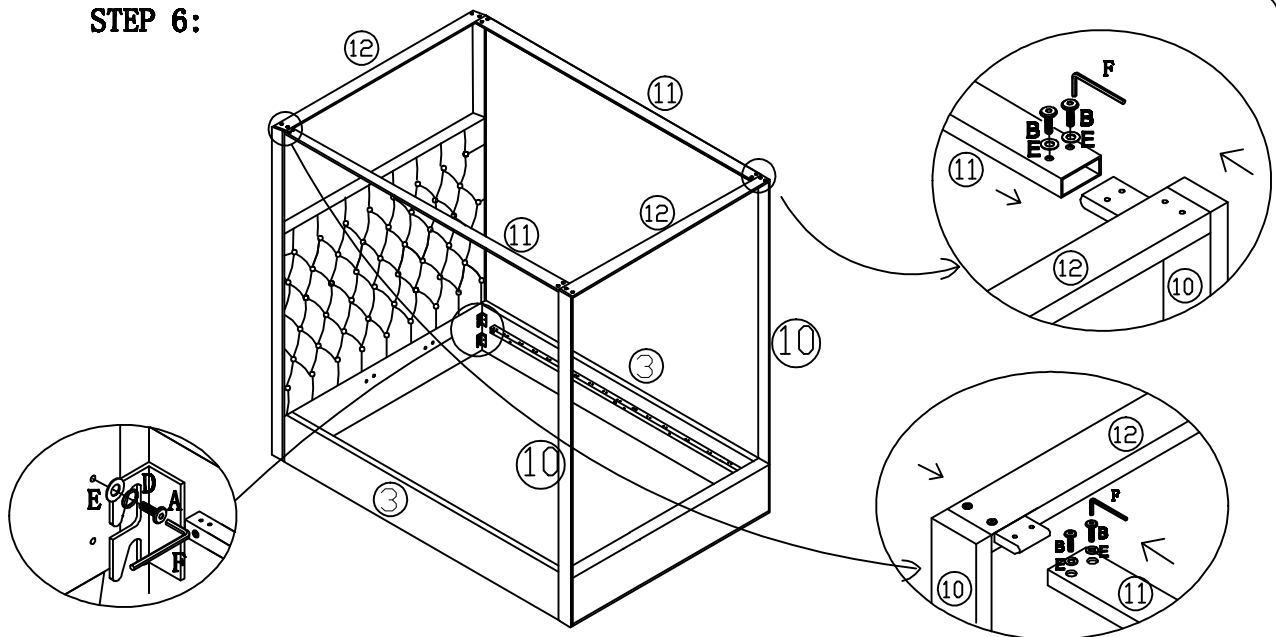


STEP 5:



Footboard is assembled

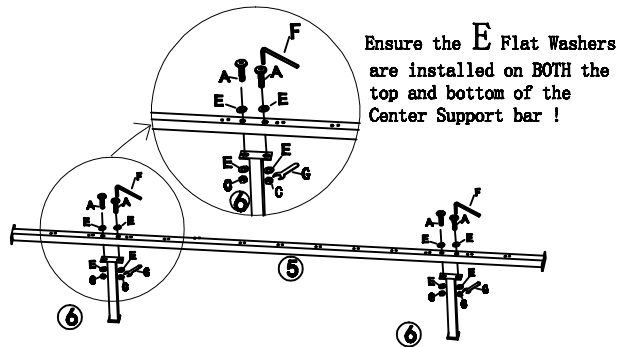
STEP 6:



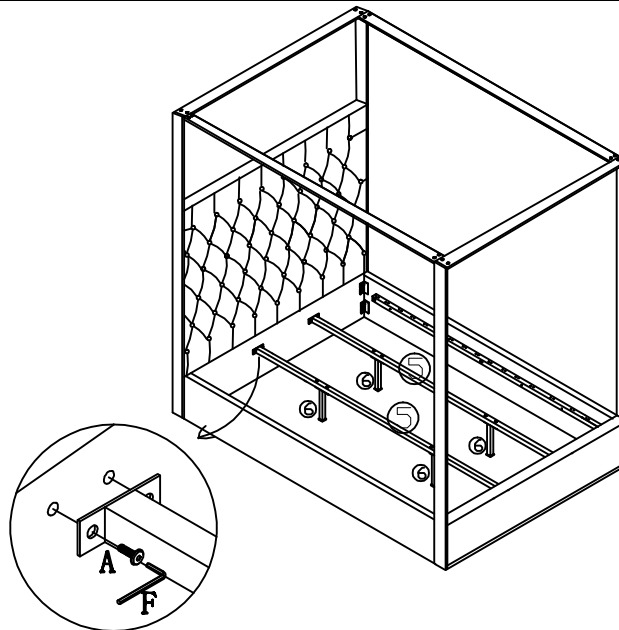
ASSEMBLY INSTRUCTIONS

bed - king

STEP 7:

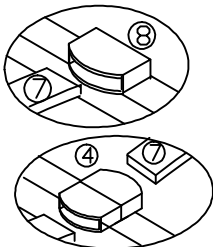


STEP 8:



STEP 9:

When installing slats, ensure that the curve is facing upwards. (✓) (✗)



packed in the bottom of headboard carton.

