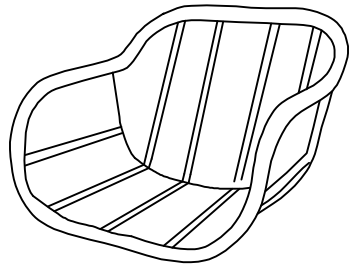
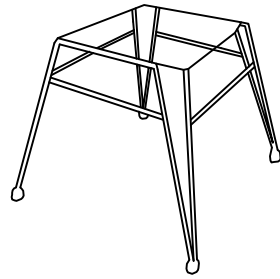


# ASSEMBLY INSTRUCTIONS

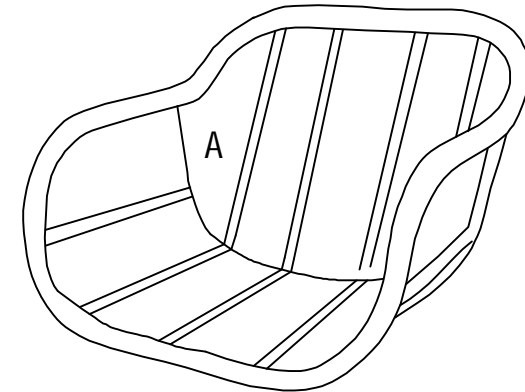
## PARTS AND HARDWARE LIST



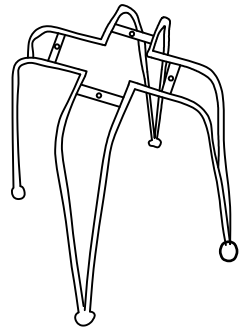
A.Chair



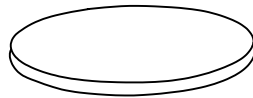
B.Chair Leg



A



C.Table Leg



D.Table Top



E.Table Glass

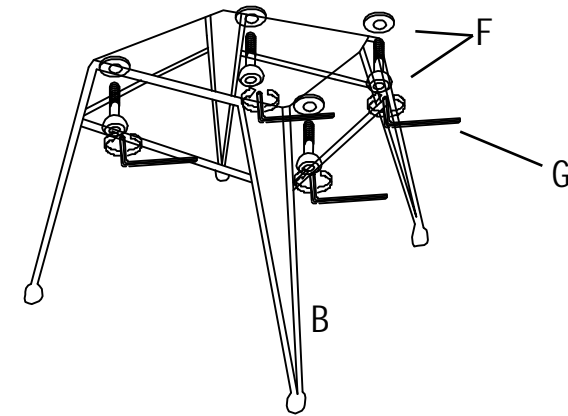


F.Bolt and washer  
12cmX M6\*15



G.Allen Key  
1X

1.Place the chair(A) on a clean surface, align the screw holes on the legs(B) with the screw holes on the bottom of the chair(A),.Add a gasket to the screw,tighten each screw to one third, and then tighten all the screws with the help of the inner hexagon wrench of the tool.

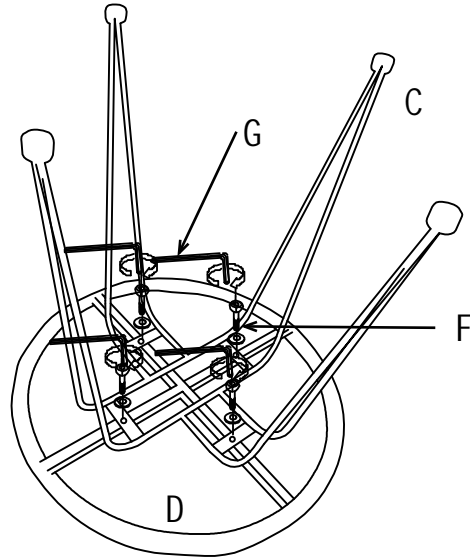


F

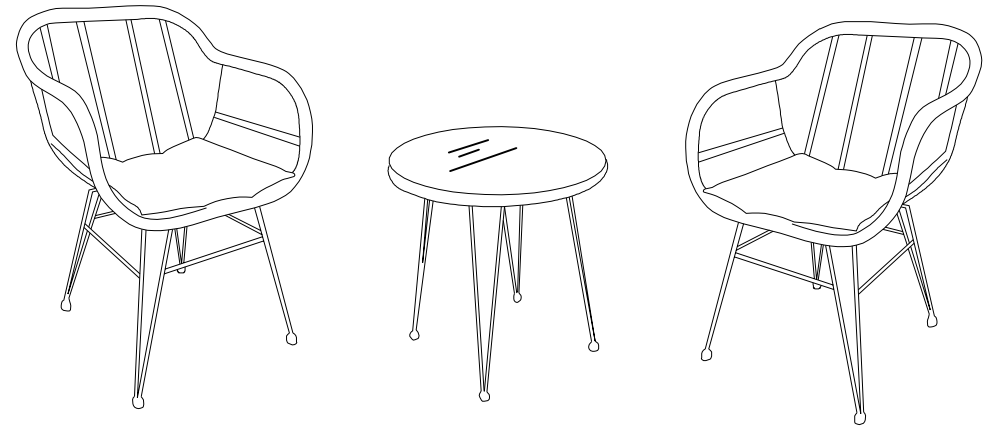
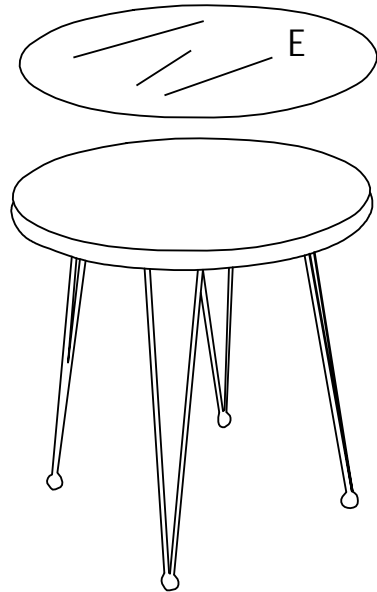
G

B

2 :Place the table top(D) with the bottom up on a clean surface, align the screw holes of the table leg with the screw holes of the table top, add a gasket on the screw(F), and assemble the table leg(C) and the table top(D) until fully tightened.



3: Place the glass tabletop(E) on the assembled tabletop so that it is in full contact with the tabletop and will not move easily.



---

**The assembly is complete.  
You can enjoy the goods of your choice wisely.**