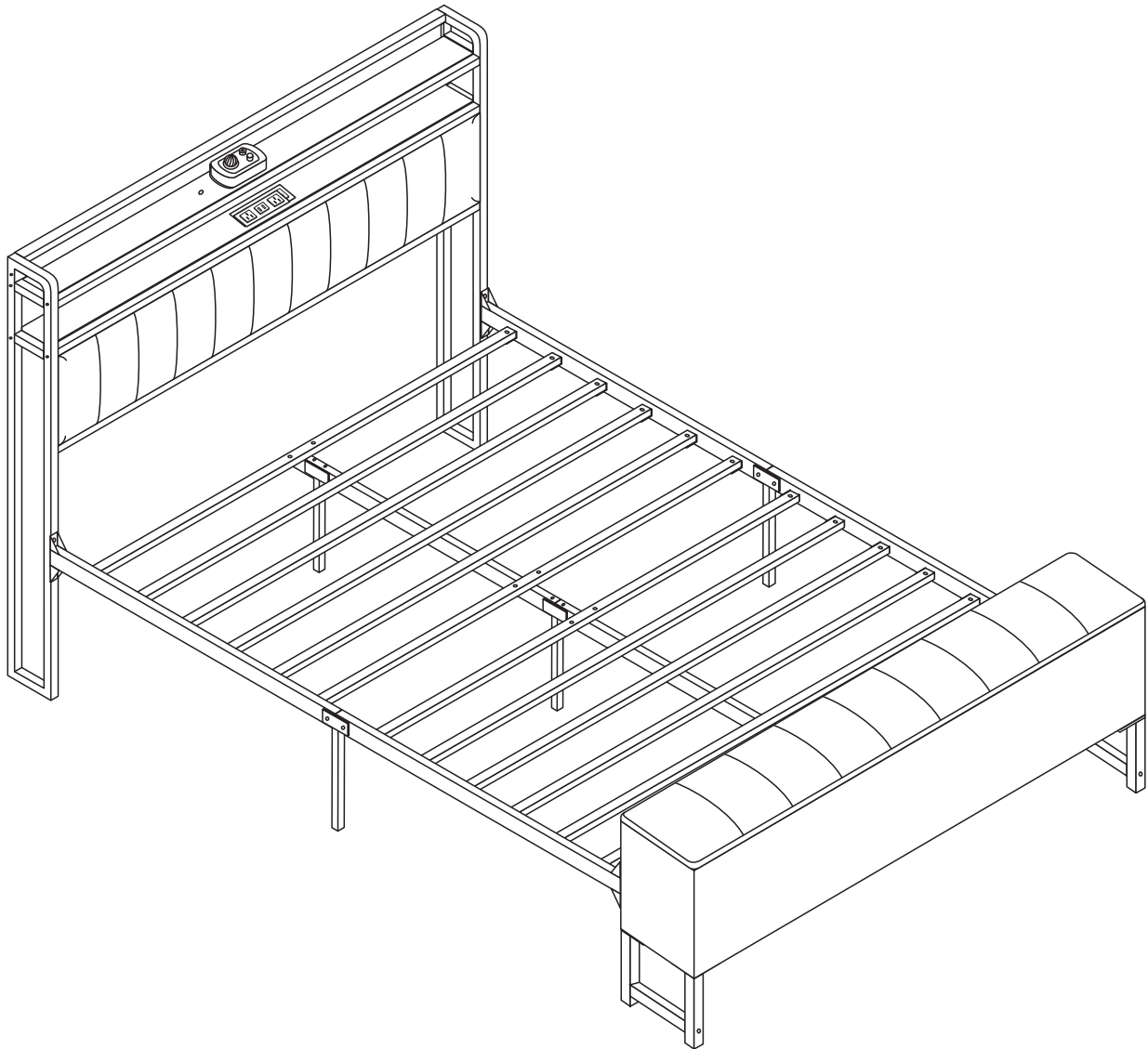


Bed Frame with Storage Headboard & Charging Station Assembly Instructions

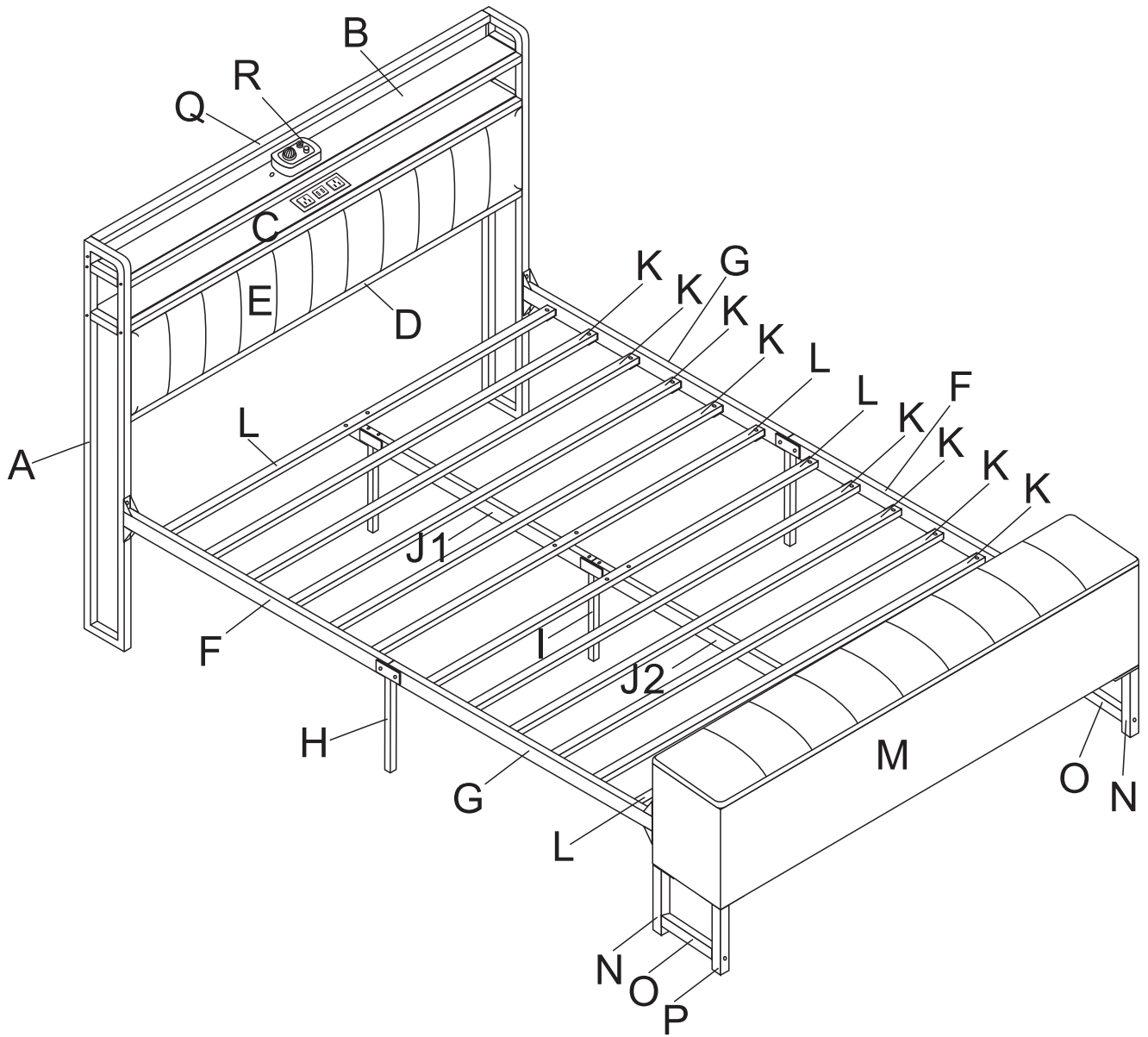


Dear Customers,

Thank you for purchasing our product. Please read this instruction manual carefully after receiving this product. It will help you assemble this product quickly, safely and correctly. You can keep this manual for future reference.

MADE IN CHINA


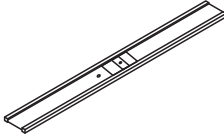
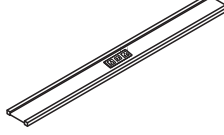
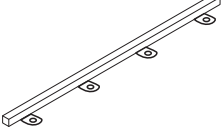
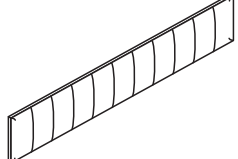
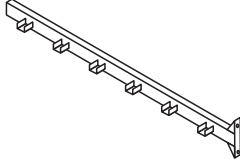
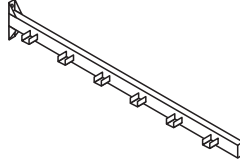
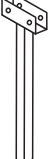

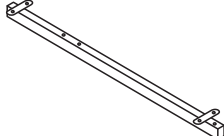
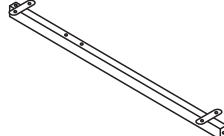
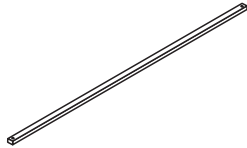
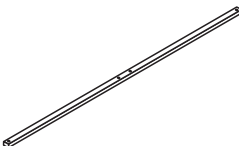
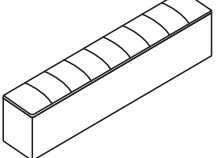
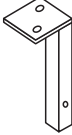
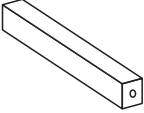
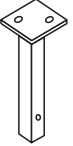
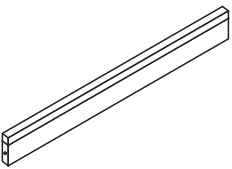
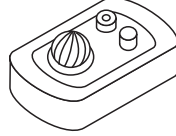








ASSEMBLY INSTRUCTIONS



Notice: Do not tighten the screws too tightly at the beginning of the assembly. After each hole position is matched well, with gently force to screw, if there is no problem, then tighten all the screws.

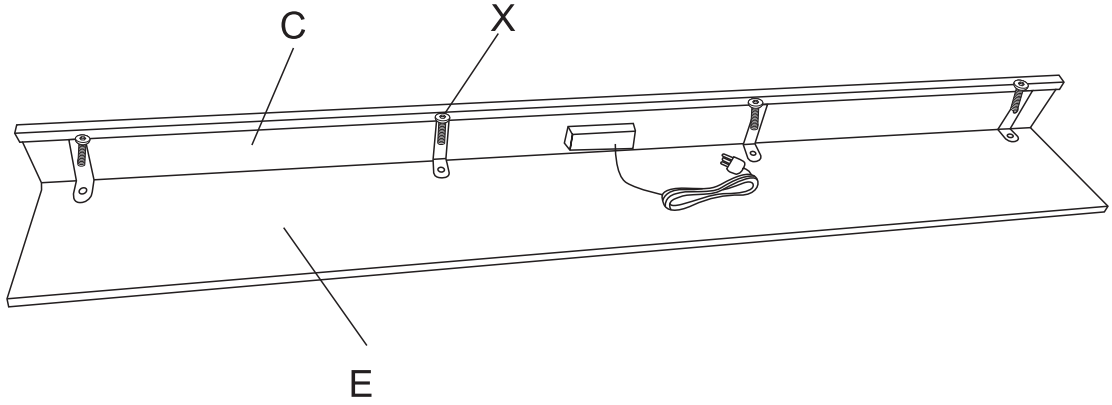
ASSEMBLY INSTRUCTIONS


PARTSLIST

A x2PCS 	B x1PC 	C x1PC 	D x1PC 	
E x1PC 	F x2PCS 	G x2PCS 	H x2PCS 	
I x3PCS 	J1 x2PCS 	J2 x2PCS 	K x8PCS 	
L x4PCS 	M x1PC 	N x2PCS 	O x2PCS 	
P x2PCS 	Q x1PC 	R x1PC 		
S x16PCS  M8x40mm	T x32PCS  M6x25mm	U x6PCS  M6x35mm	V x8PCS  M8x20mm	W x12PCS  M8x30mm
X x8PCS  M6x13mm	Y x1PC  M4x12mm	Z x1PC 		

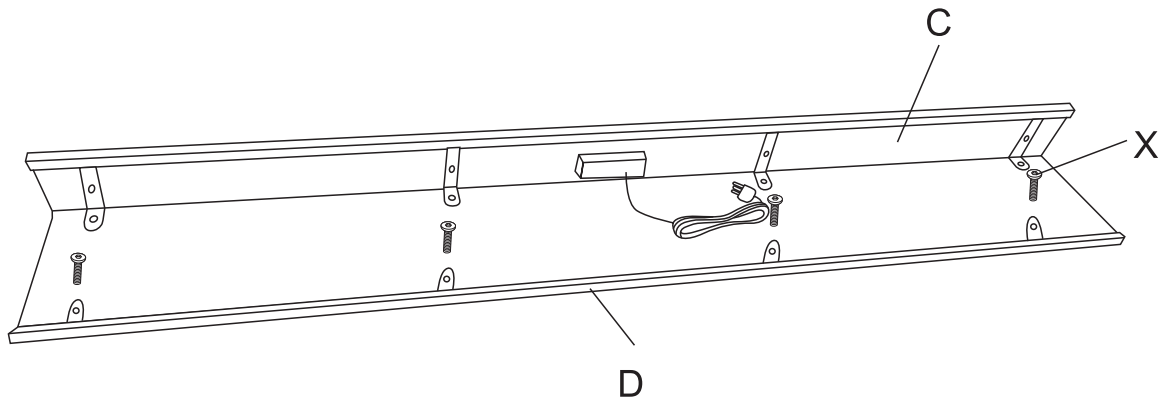
ASSEMBLY INSTRUCTIONS

1



X	 M6x13mm	4PCS
---	------------------------------------------------------------------------------------------------	------

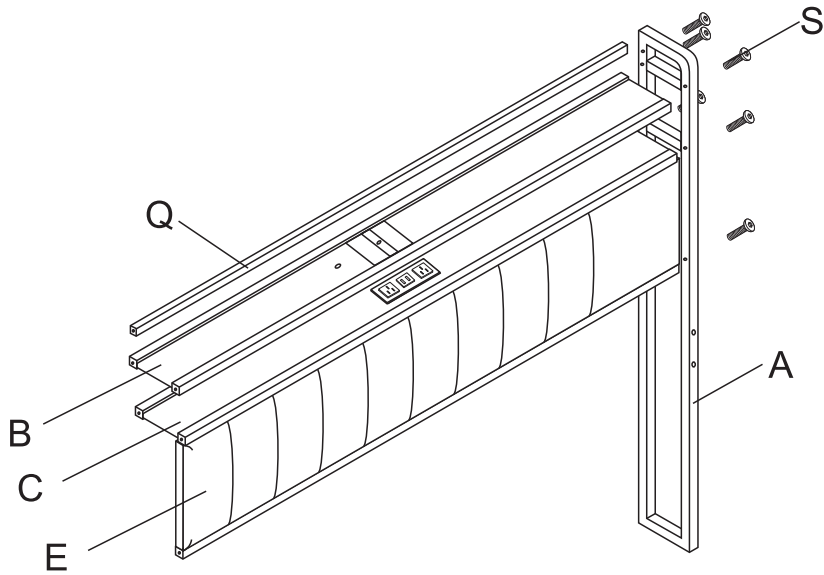
2




X	 M6x13mm	4PCS
---	------------------------------------------------------------------------------------------------	------

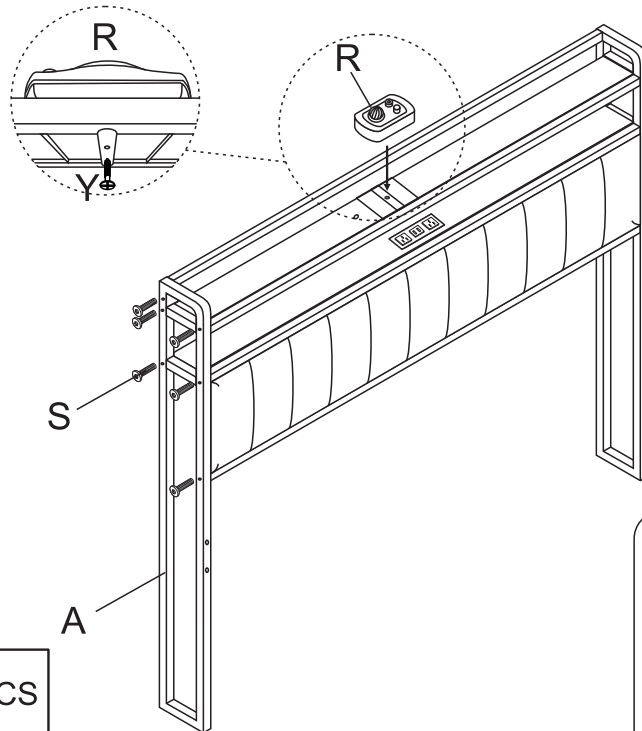
ASSEMBLY INSTRUCTIONS



3



S	 M8x40mm	6PCS
---	---------------------------------------------------------------------------------------------	------

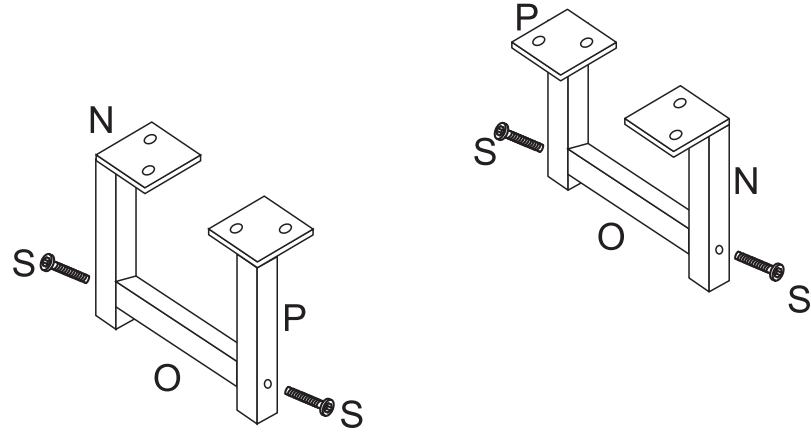
4




S	 M8x40mm	6PCS
Y	 M4x12mm	1PC

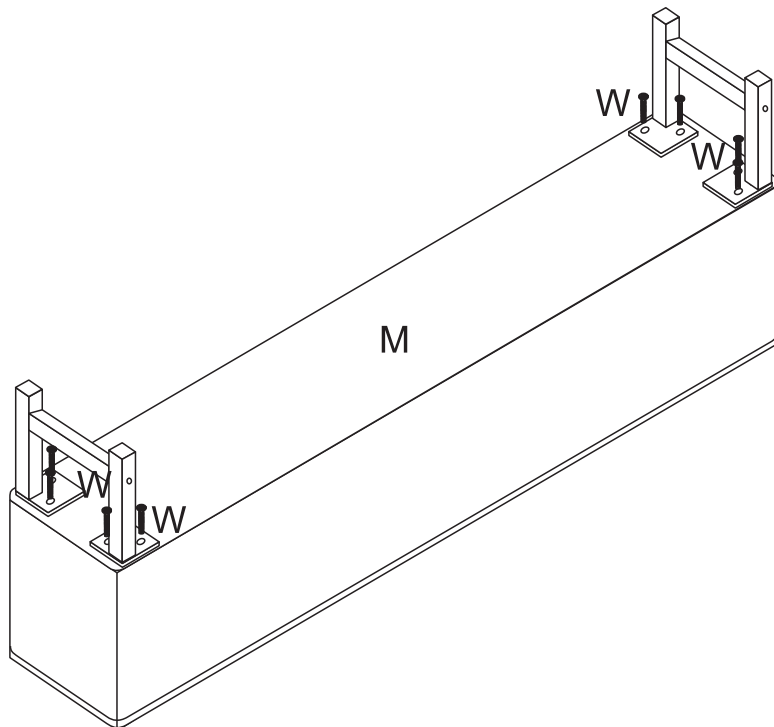
ASSEMBLY INSTRUCTIONS


5



S	 M8x40mm	4PCS
---	------------------------------------------------------------------------------------------------	------

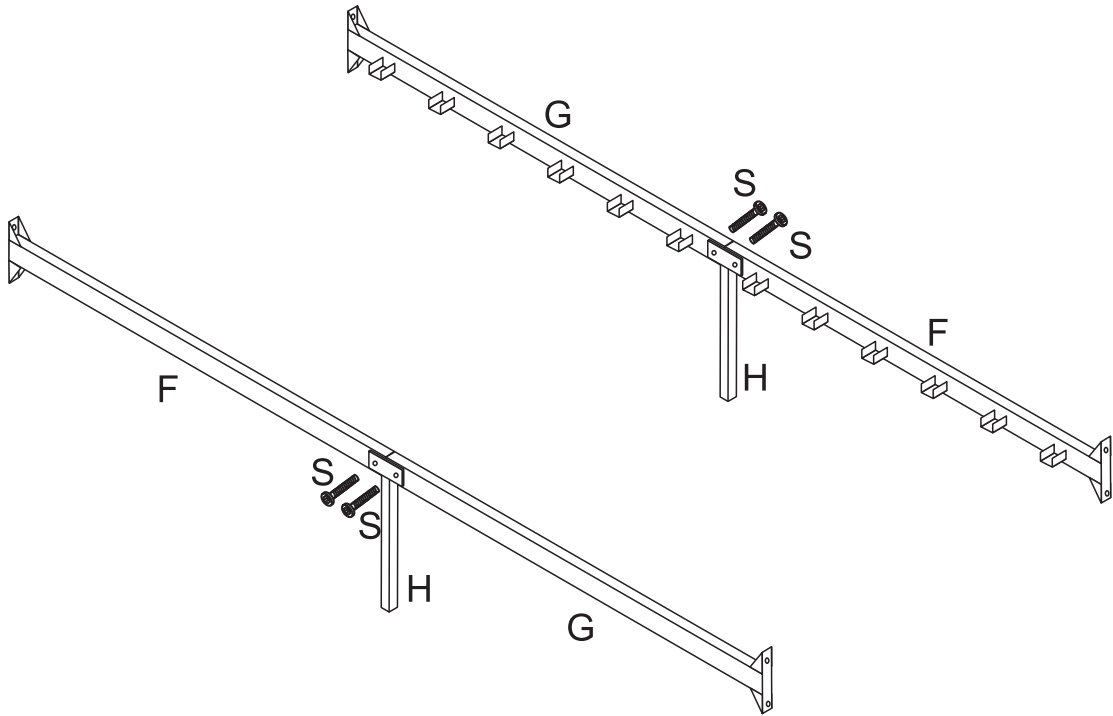
6



W	 M8x30mm	8PCS
---	------------------------------------------------------------------------------------------------	------

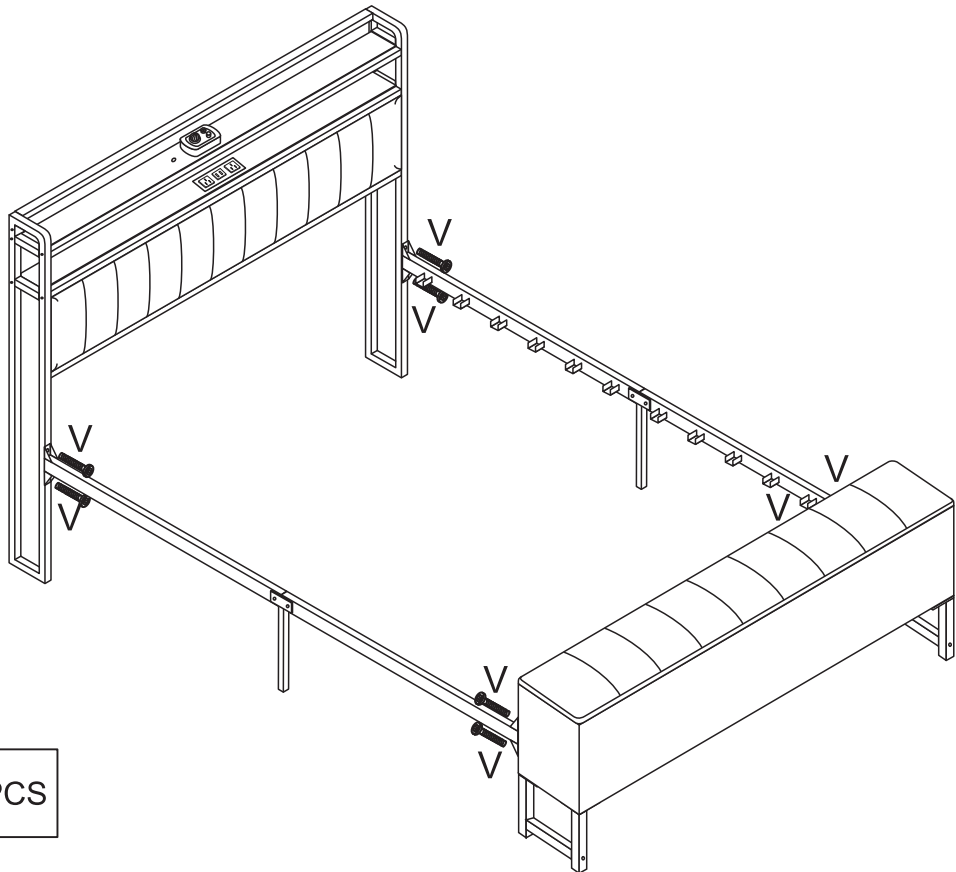
ASSEMBLY INSTRUCTIONS

7



S	 M8x30mm	4PCS
---	------------------------------------------------------------------------------------------------	------

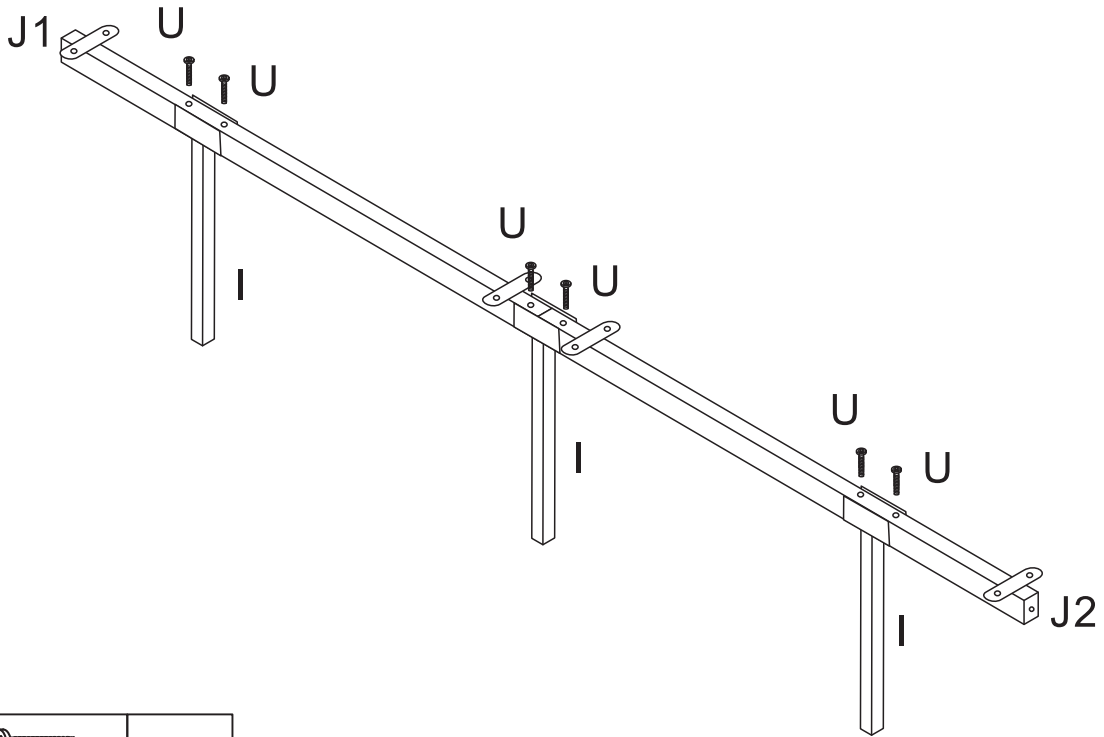
8




V	 M8x20mm	8PCS
---	------------------------------------------------------------------------------------------------	------

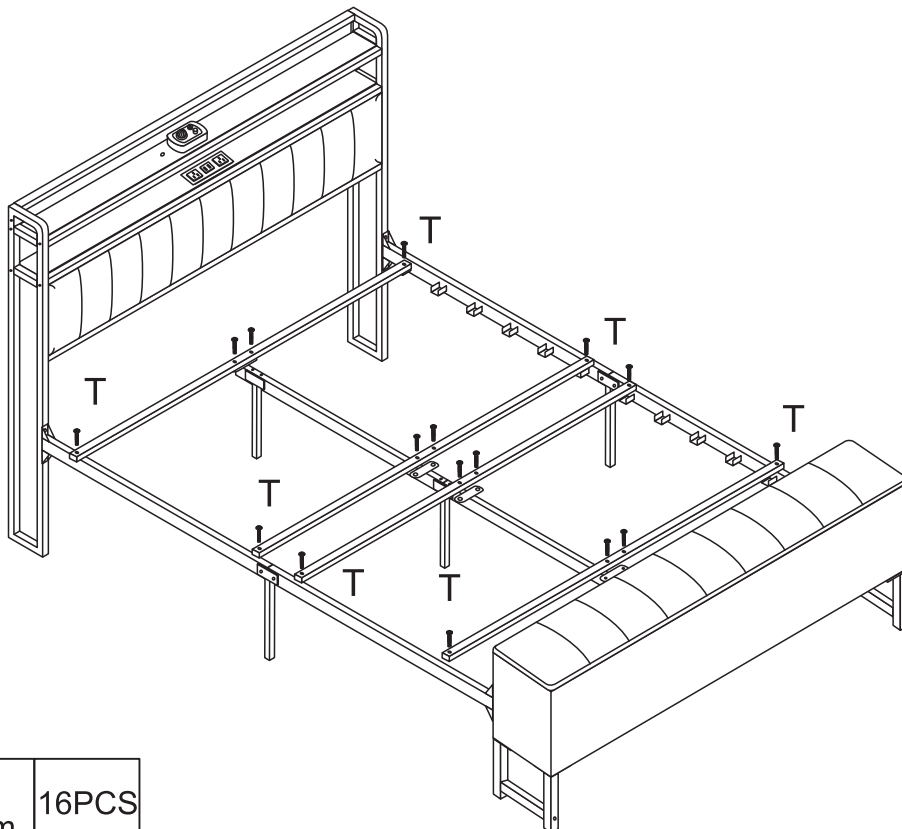
ASSEMBLY INSTRUCTIONS

9



U		6PCS
	M6x35mm	

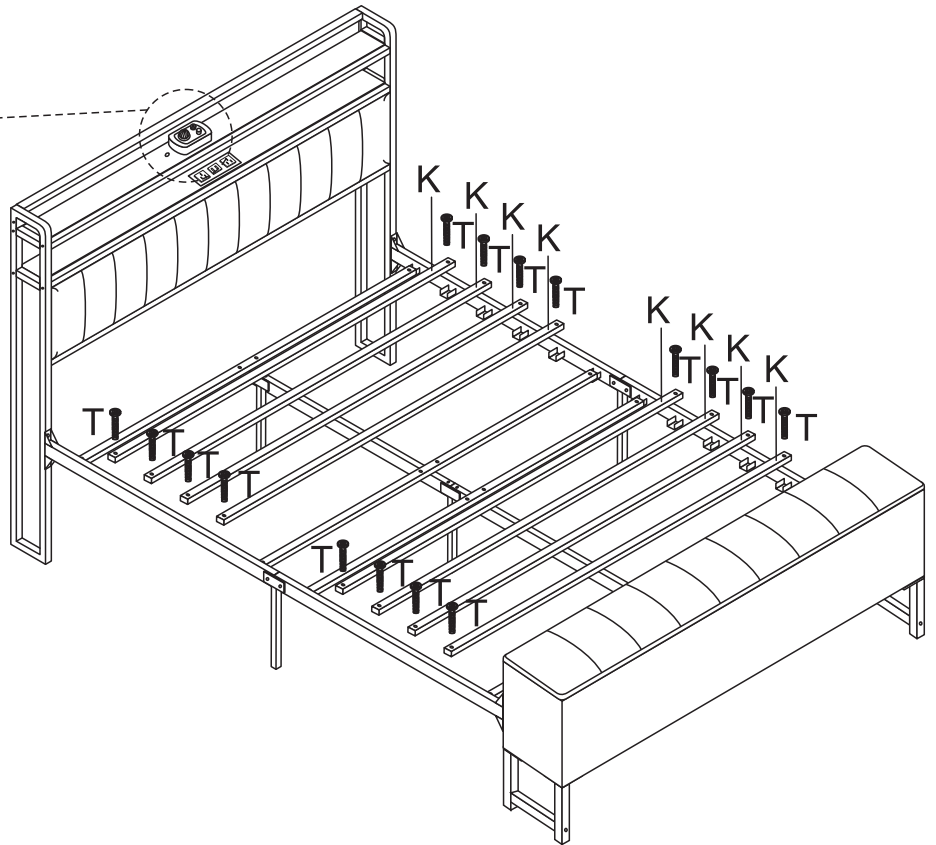
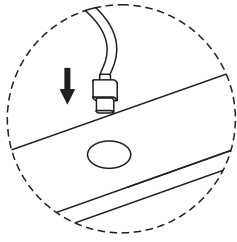
10




T		16PCS
	M6x25mm	

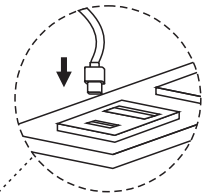
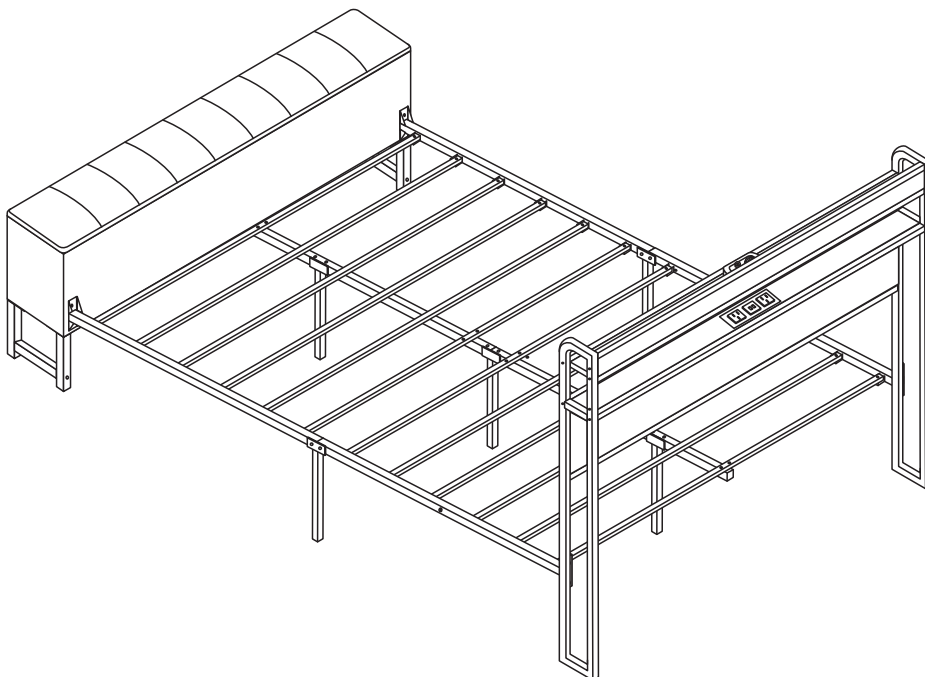
ASSEMBLY INSTRUCTIONS

11



T		16PCS
M6x25mm		

12



13

