

ASSEMBLY INSTRUCTIONS

UPHOLSTERED QUEEN BED

ASSEMBLY
REQUIREMENTS

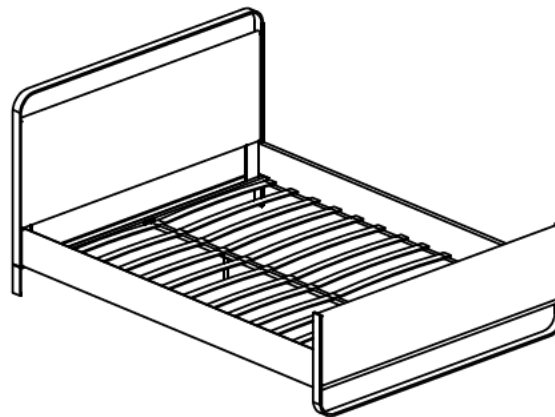
3-Person
Assembly

30 MINUTES
Assembly Time
(Approximate)

Thank you for purchasing our product!

Please refer and use this assembly instruction to assemble the product. Contact our customer service department in case there are any missing or damage parts or hardware. Replacement parts are normally shipped within 2 or 3 days.

We appreciate your business!



ASSEMBLY PREPARATION

- . Remove all packaging materials, staples and packing straps from the carton.
- . Refer to Parts List and Hardware List, and ensure parts and hardware are correct before assembly. Contact customer service for missing parts.
- . Place all wooden parts on a clean, flat and soft surface (e.g. carpet or rug) to prevent scratch and damage to parts.

SAFETY PRECAUTION

- . KEEP ALL HARDWARE PARTS OUT OF REACH OF CHILDREN.
- . DISPOSE PLASTIC PACKAGING MATERIAL IMMEDIATELY TO AVOID ANY RISK OF SUFFOCATION TO CHILDREN AND ANIMALS.

TIPS FOR ASSEMBLY

- . Allow ample room for assembly and assemble the product near where the product will be placed.
- . Assemble the product on a surface that does not scratch or damage the exterior gloss and finish of the furniture.
- . Identify all of the parts, hardware and quantities required for each step.
- . During assembly, do not over-tighten any fittings as this may cause damage.
- . DO NOT USE POWER TOOLS TO ASSEMBLE THIS PRODUCT.
- . Always place the product on a flat, level surface.
- . Do not sit or stand on the partially assembled product; only use the product for which it is intended.

CARE AND MAINTENANCE

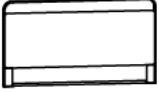



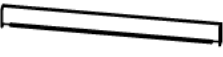








- Use a slightly damp cloth to clean the product. Do not use bleach or abrasive cleaning material.
- Check all the fittings periodically and re-tighten as necessary. Do not use the product if any of the parts is damaged or broken.
- Never allow any kind of liquid to remain on your furniture. Absorption can cause wood to warp or delaminate.
- Do not place hot items (e.g. hot drinks) directly onto the wood surface.
- Do not drag and/or pull the furniture.

This product is for indoor and household use only - not for commercial use.

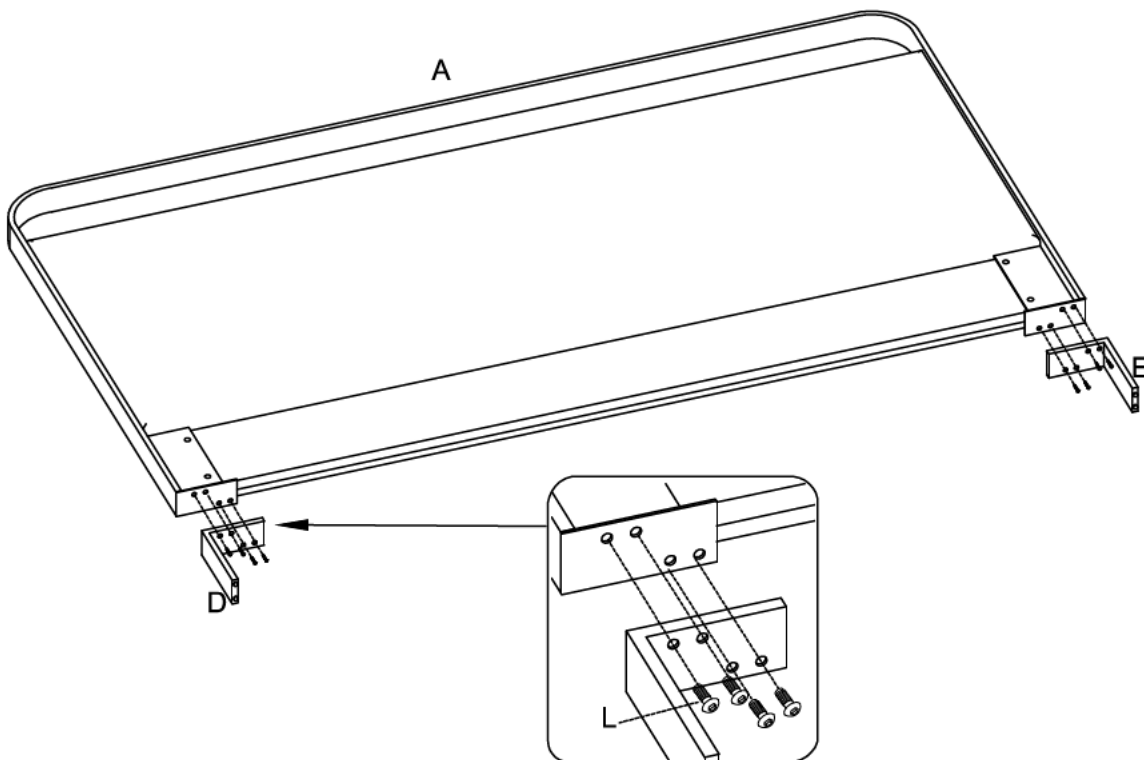
ASSEMBLY INSTRUCTIONS

UPHOLSTERED QUEEN BED

PARTS & HARDWARE LISTS

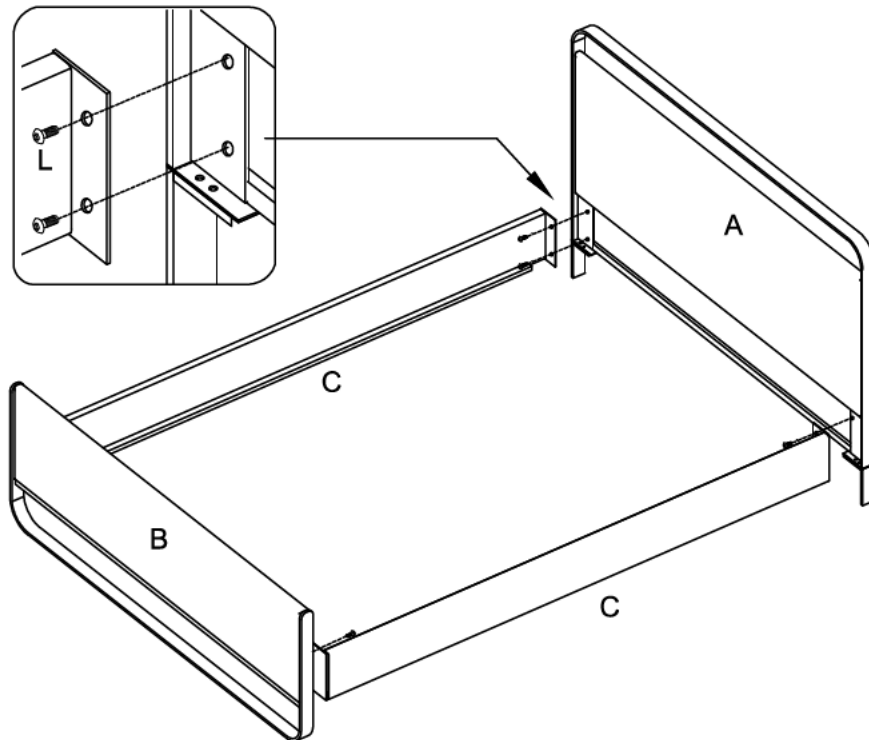
A		Headboard	1PC	H		Central Slat Leg Support	2PCS
B		Footboard	1PC	I		Bentwood Slat	26PCS
C		Sideboard	2PCS	J		Bentwood Slat End Housing	26PCS
D		Headboard Leg Extension	1PC	K		Bentwood Slat Center Connector	13PCS
E		Headboard Leg Extension	1PC	L		Bolt	24PCS
F		Central Slat Support	1PC	M		Allen Key	1PC
G		Headboard Slat Support	2PCS				

STEP 1



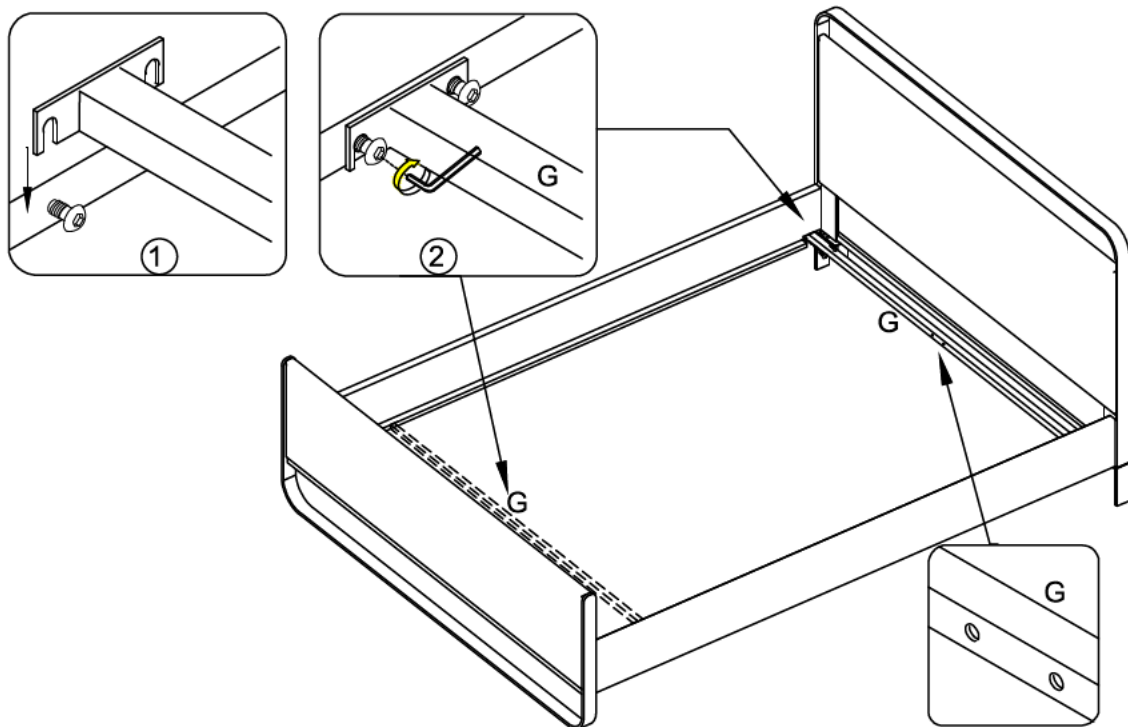
- a) With assistance lay Headboard (A) flat on a material that does not scratch or damage the part.
- b) Use Bolt (L) to install Headboard Leg Extension (D) as shown. Use Allen Key (M) to drive (L). Do not tighten (L) completely until all 4 bolts are in place on each leg.

STEP 2



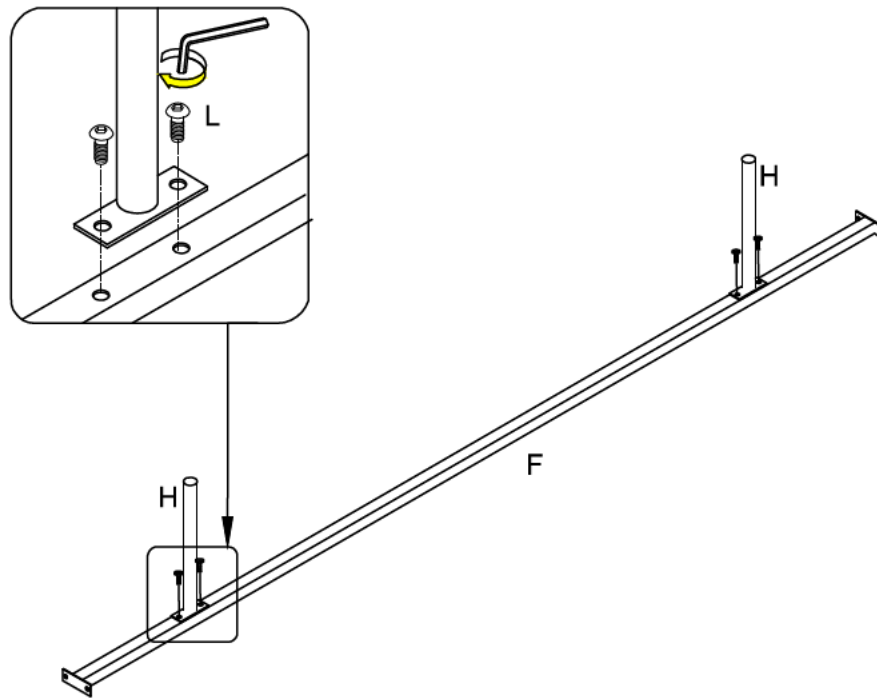
- a) With assistance set Headboard (A), Footboard (B) and Sideboard (C) as shown.
- b) Use Bolt (L) to loosely fasten (C) to (A) and then (B) to (C). Use Allen Key (M) to drive (L). Do not tighten (L) completely until all the bolts are in place on each part.

STEP 3



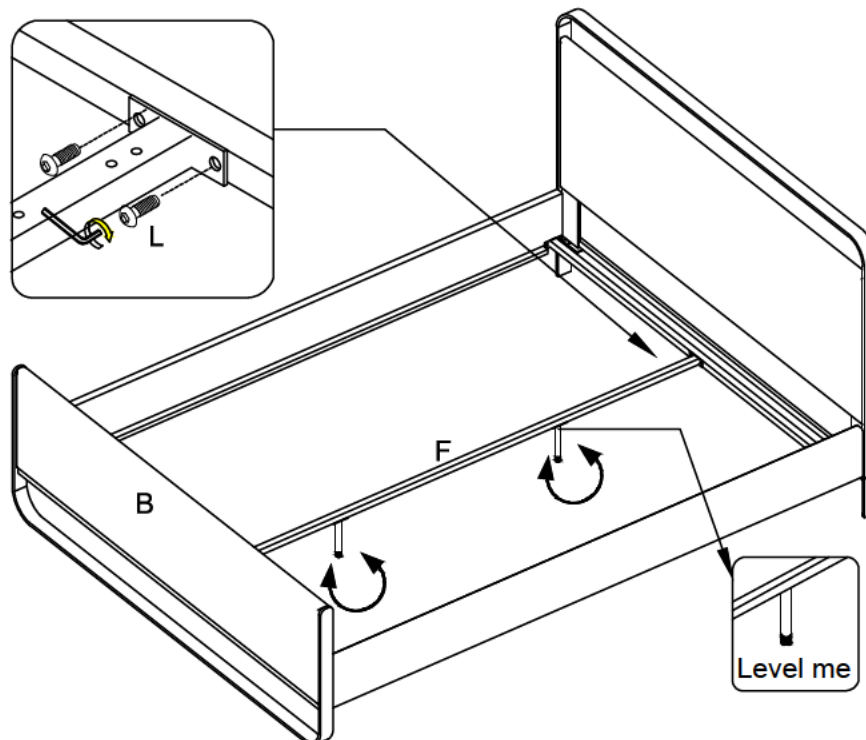
- a) Locate halfway, screwed-in bolts near each end of Sideboard.
- b) Attach Headboard Slat Support (G) to Sideboard by sliding the slot on (G) onto the halfway screwed-in bolt on the Sideboard. Next, use Allen Key (M) to drive and tighten each bolt.

STEP 4



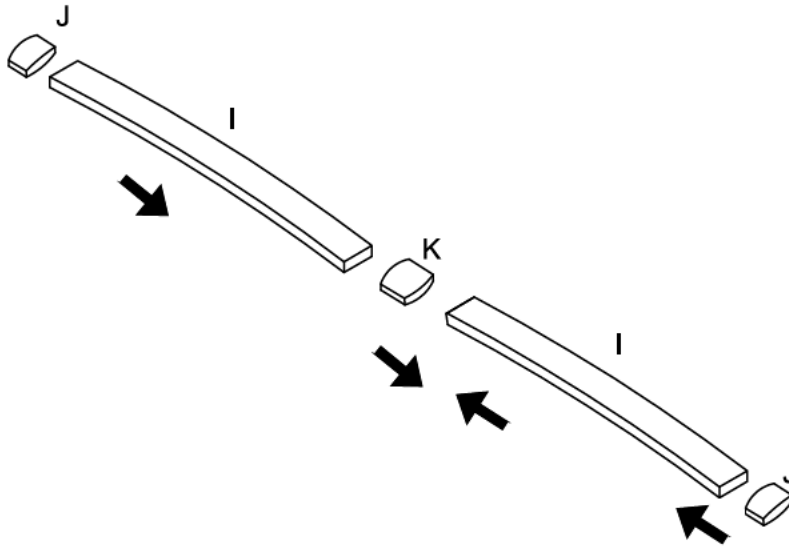
- Lay Central Slat Support (F) with the bolts holes facing up as shown.
- Use Bolt (L) to loosely fasten Central Slat Leg Support (H) to (F). Use Allen Key (M) to drive (L). Do not tighten (L) completely until both bolts are in place on each support leg.

STEP 5



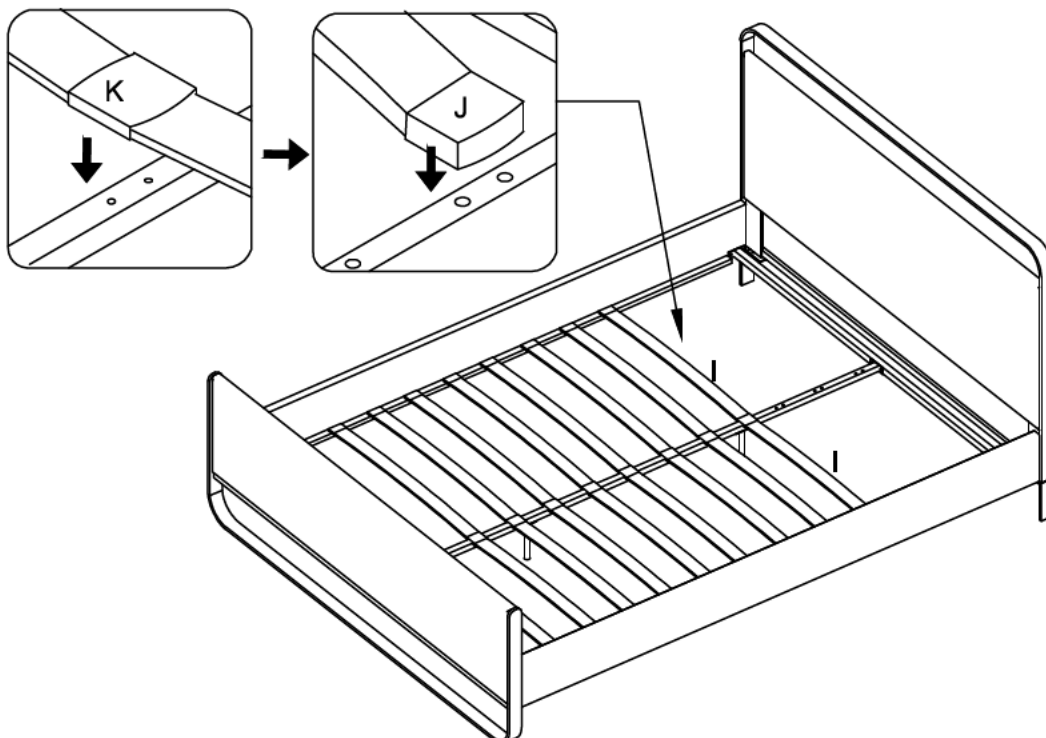
- Position Central Slat Support (F) to fit between Headboard Slat Support (G) and Footboard (B) and align the bolt holes on each part
- Use Bolt (L) to loosely fasten (F) to (B) & (G). Use Allen Key (M) to drive (L). Do not tighten (L) completely until all 4 bolts are in place
- Use Adjustable levelers to Adjust the Height

STEP 6



- a) Use the Bentwood Slat Center Connector (K) to connect the Bentwood Slats (I).
- b) Fit each open end of (I) end with End Housing (J).

STEP 7



- a) Fit each completed set of Bentwood Slat (from STEP 6) by pressing the studs on the bottom side of Center Connector (K) and End Housing (J) into the respective designated holes on Central Slat Support (F) and on the rail on each Sideboard.

The assembly of the bed is complete.