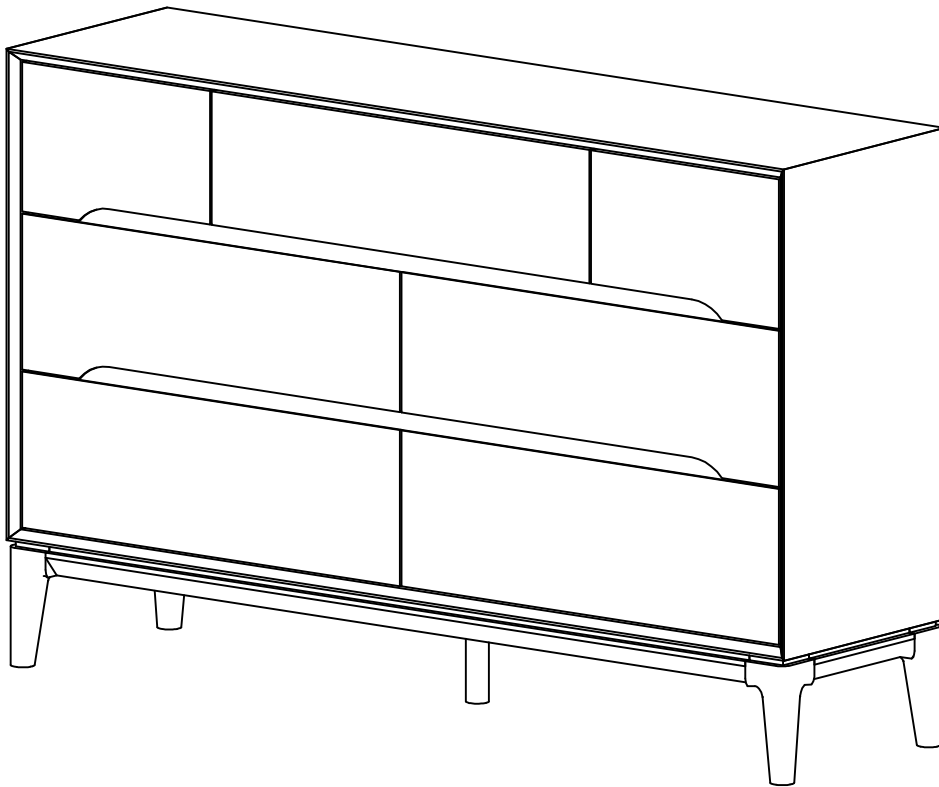


Owner Manual

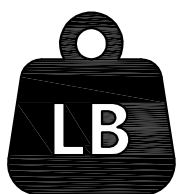


NOTE:

This brochure contains IMPORTANT safety info. Please read and keep for future reference.

MAINTENANCE AND WARNING

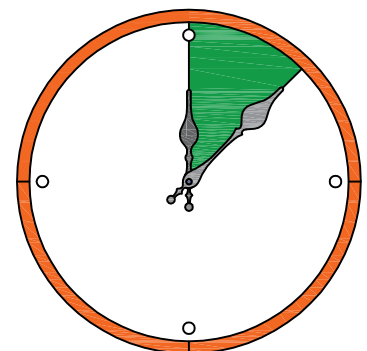
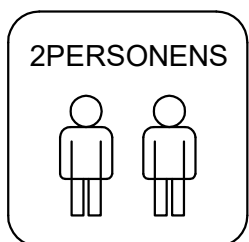
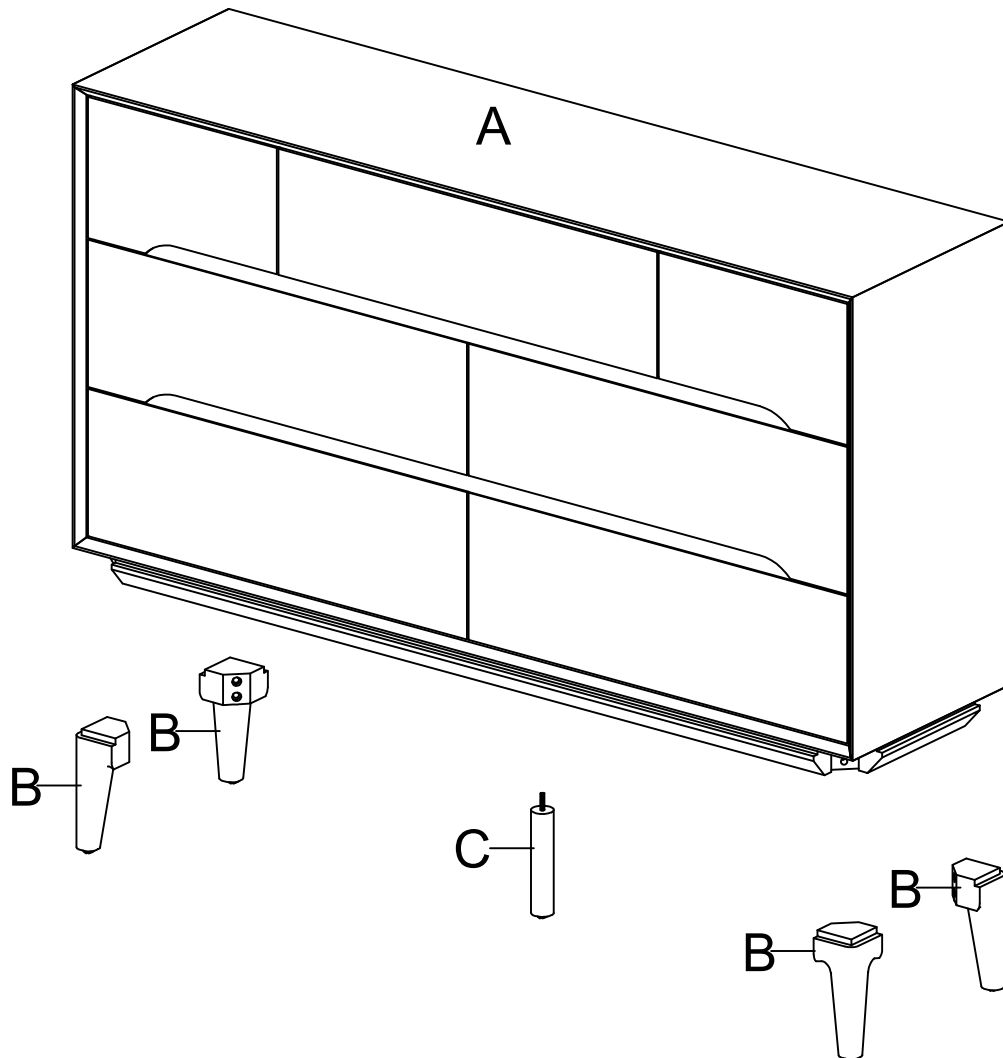
- 1.Keep furniture away from heat sources.
- 2.Do not clean furniture with harsh cleaner or polishes. Do not use detergents, solvents, abrasives, spray packs or leather cleaner. Use non-color mild soa with warm water to clean spills(Mix 1:10 soap to water).
- 3.Do not place furniture under direct sunlight, material will possibly fade over time.
- 4.Do not use on site dry cleaning machine. Children should not climb or jump on the furniture.
- 5.Do not write on furniture that is not protected by a padded barrier.
- 6.Not for commercial use, only for residential use.



Weight Limitation

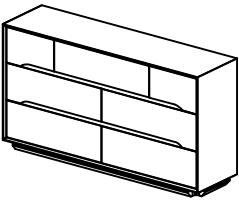
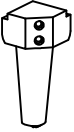

100 LBS

EXPLOSIVE VIEW



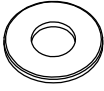

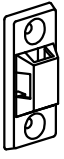

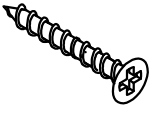



Around 20 min


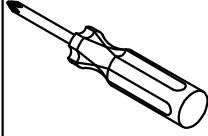
PARTS LIST 1

A	x1	B	x4	C	x1
					



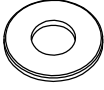
HARDWARE LIST

#1	x8	#2	x8	#3	x8	#4	x4	#5	x4	#6	x2
											
1/4*60MM		Ø12*1MM		Ø19*1MM							
#7	x4	#8	x4								
											
Ø4*38MM		Ø3*20MM									

TOOL LIST

#9	x1	#10	x1
			
M4		Not including	

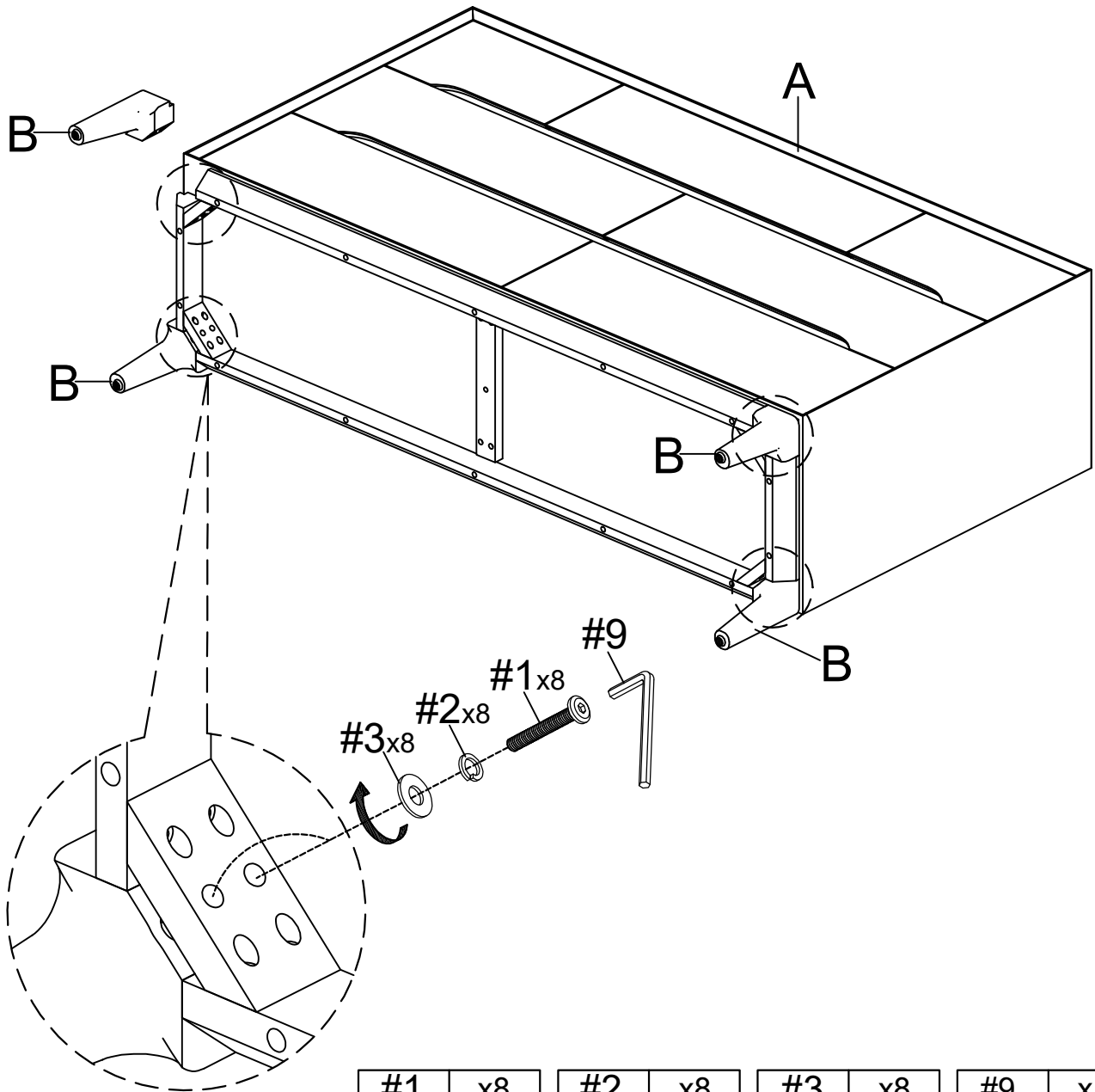
HARDWARE SPARE LIST





#1	x1	#2	x1	#3	x1
					
1/4*60MM		Ø12*1MM		Ø19*1MM	

ASSEMBLY INSTRUCTIONS

STEP-1

1. Insert part (B) into part (A), make sure all holes align aligned, using bolt (1), spring washer (2), flat washer (3) then tighten the bolt with an Allen key #9.

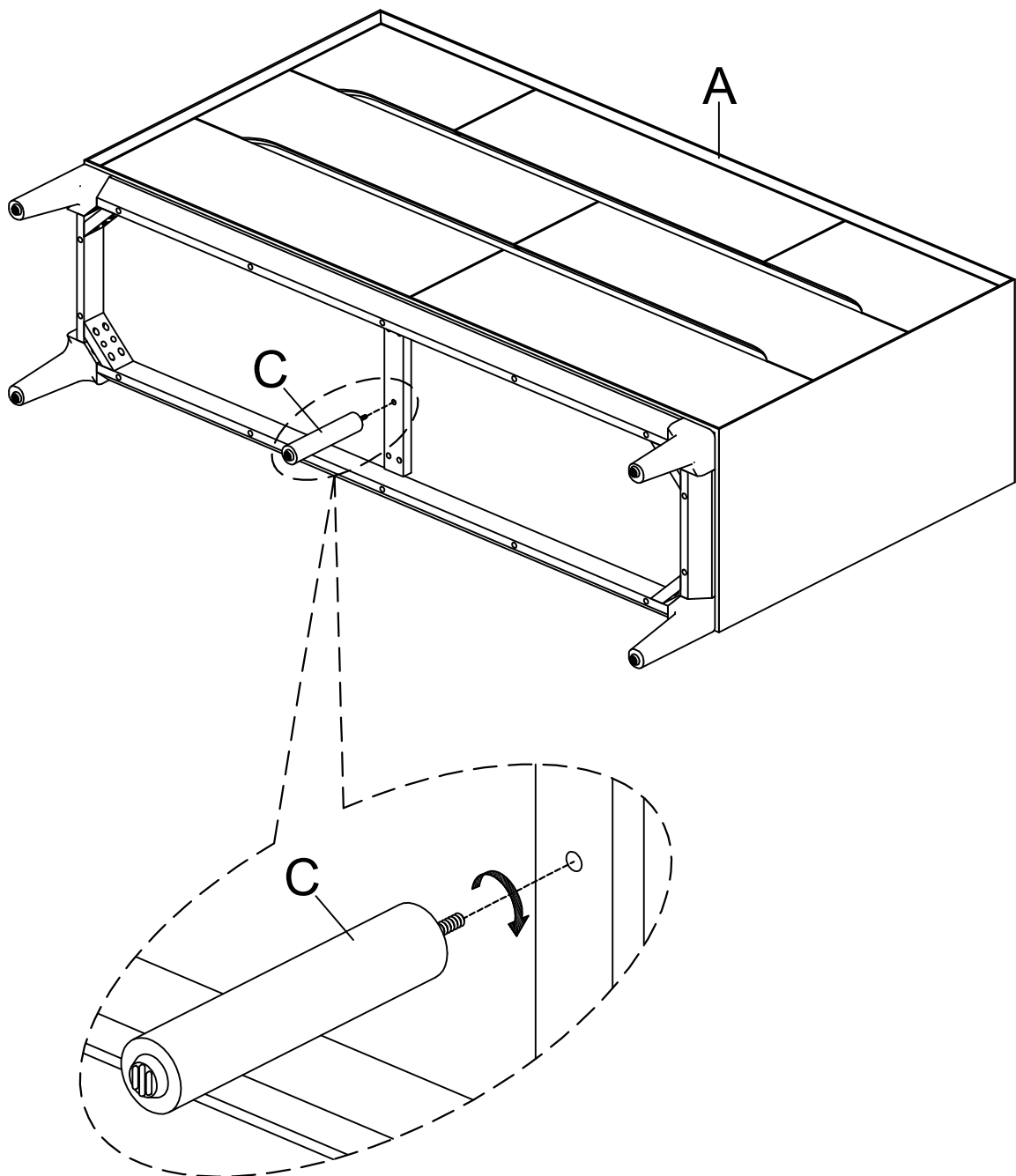


#1	x8	#2	x8	#3	x8	#9	x1
							
1/4*60MM		Ø12*1MM		Ø19*1MM		M4	

ASSEMBLY INSTRUCTIONS

STEP-2

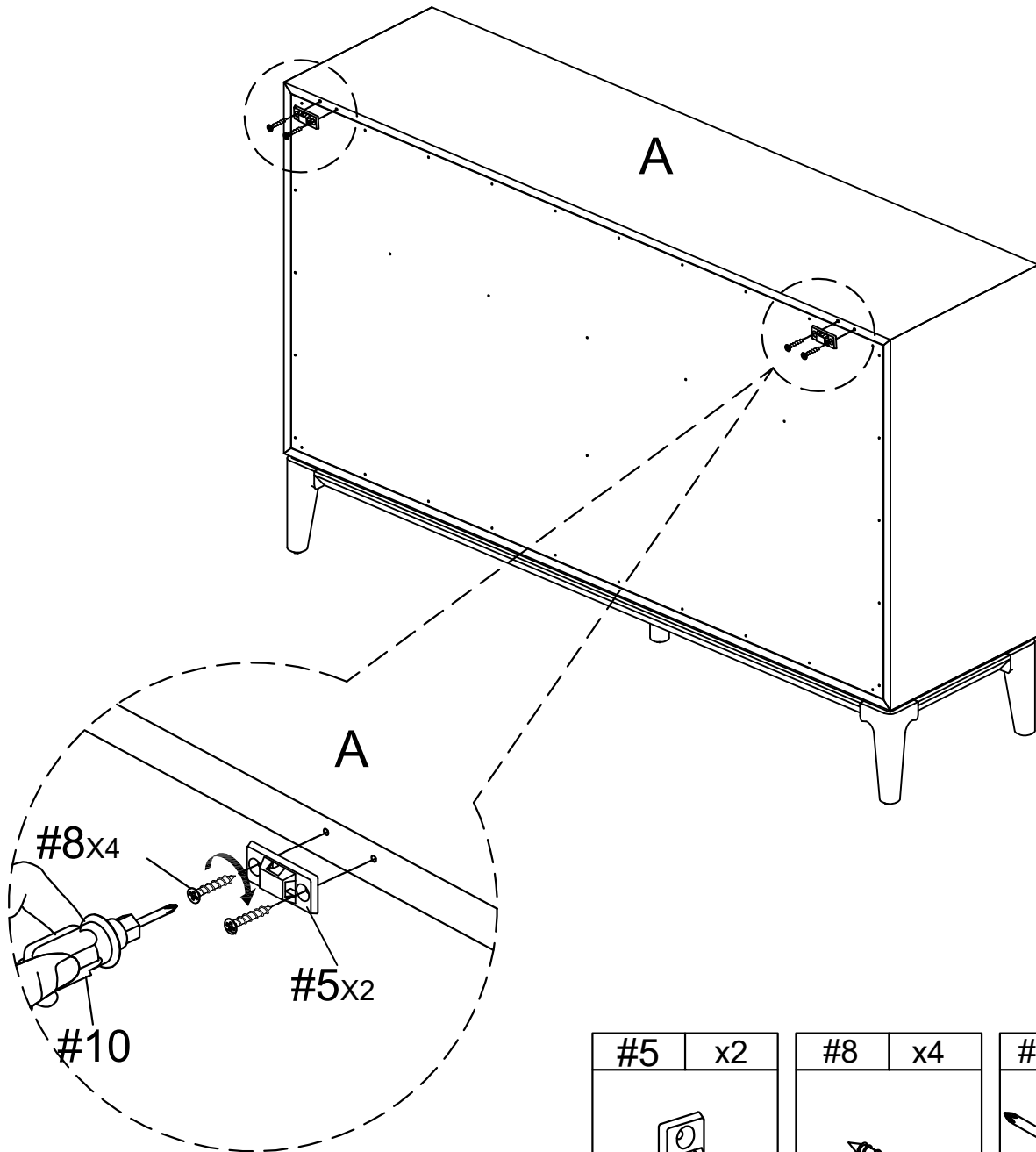
1. Insert part (C) into part (A), make sure all holes align aligned, then tighten the with an as picture show.



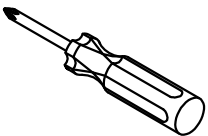


ASSEMBLY INSTRUCTIONS

STEP-3

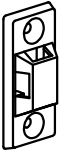

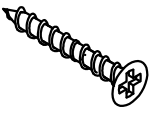
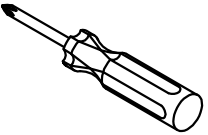
Use screw #8 to attach plastic bracket #5 to panel (A), make sure all holes aligned and tighten screw #8 with screwdriver #10.



#5	x2	#8	x4	#10	x1
					
		Ø3*20MM		Not including	

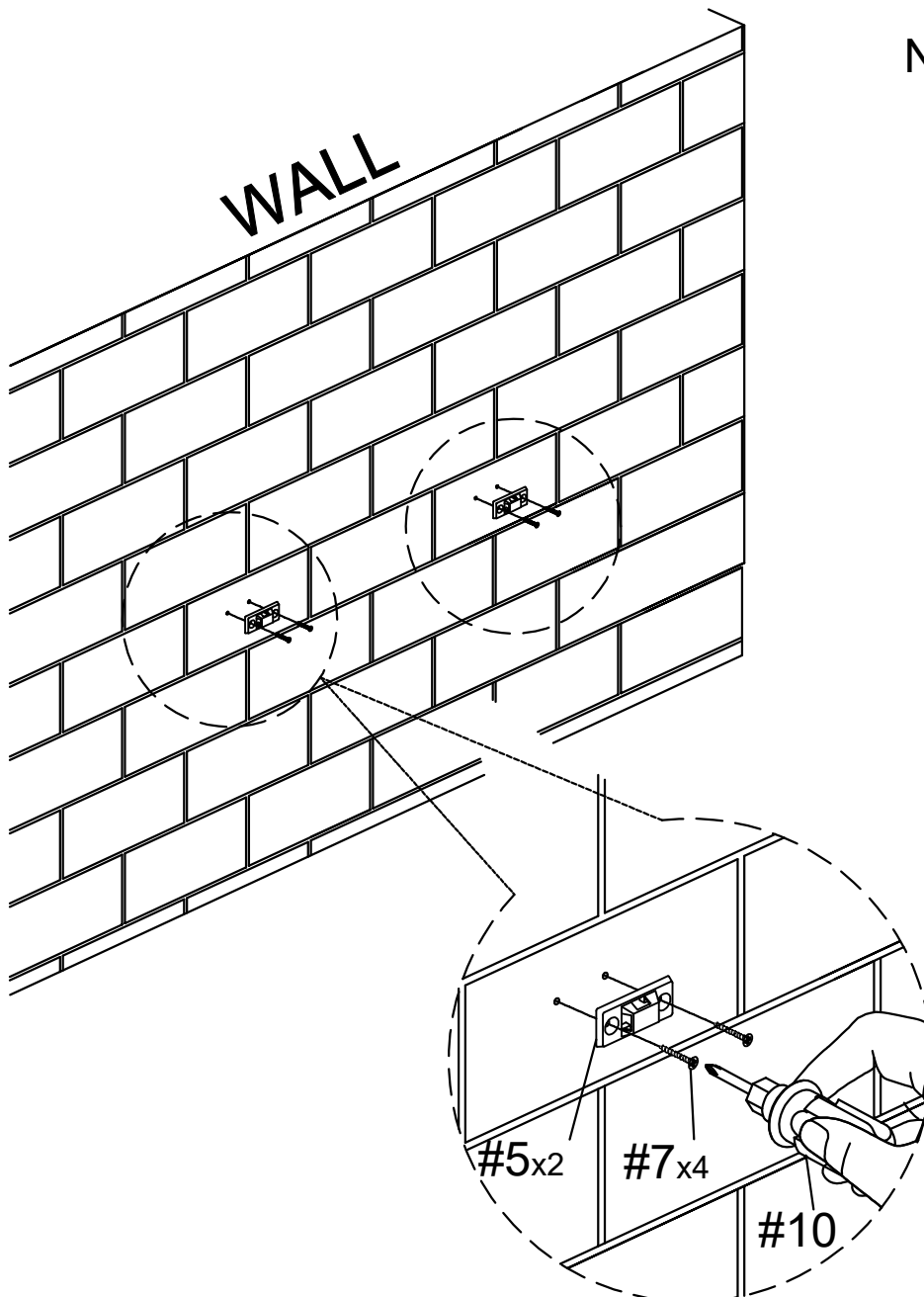
ASSEMBLY INSTRUCTIONS

STEP-4

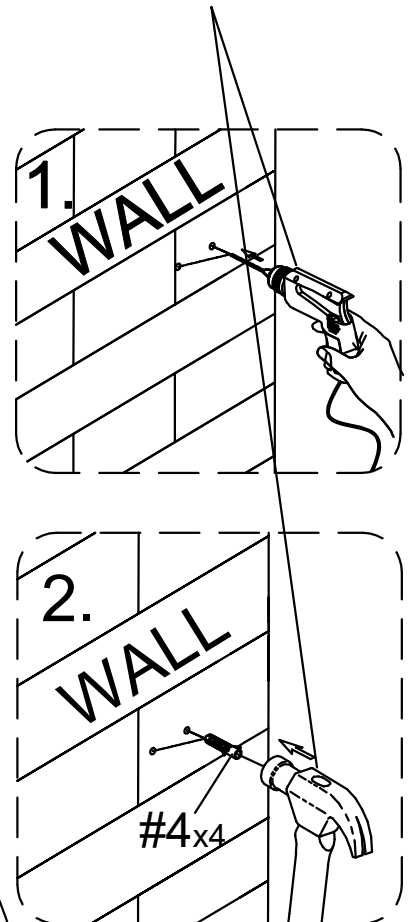
#5	x2	#4	x4	#7	x4	#10	x1
							
				Ø4*38MM		Not including	

1. Mark the position on the wall, that corresponds to the location of bracket #5 on the panel A. Drill and insert the expandable screw #4 by hammer.

2. Assemble the bracket #5 to the wall. Align the hole in the bracket #5 with the expandable screw #4, use screw #7 to attach it, tighten screw #7 with screwdriver #10.

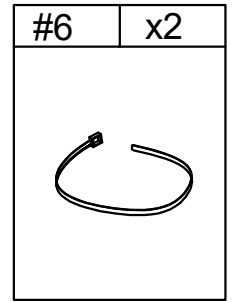


NOT PROVIDED

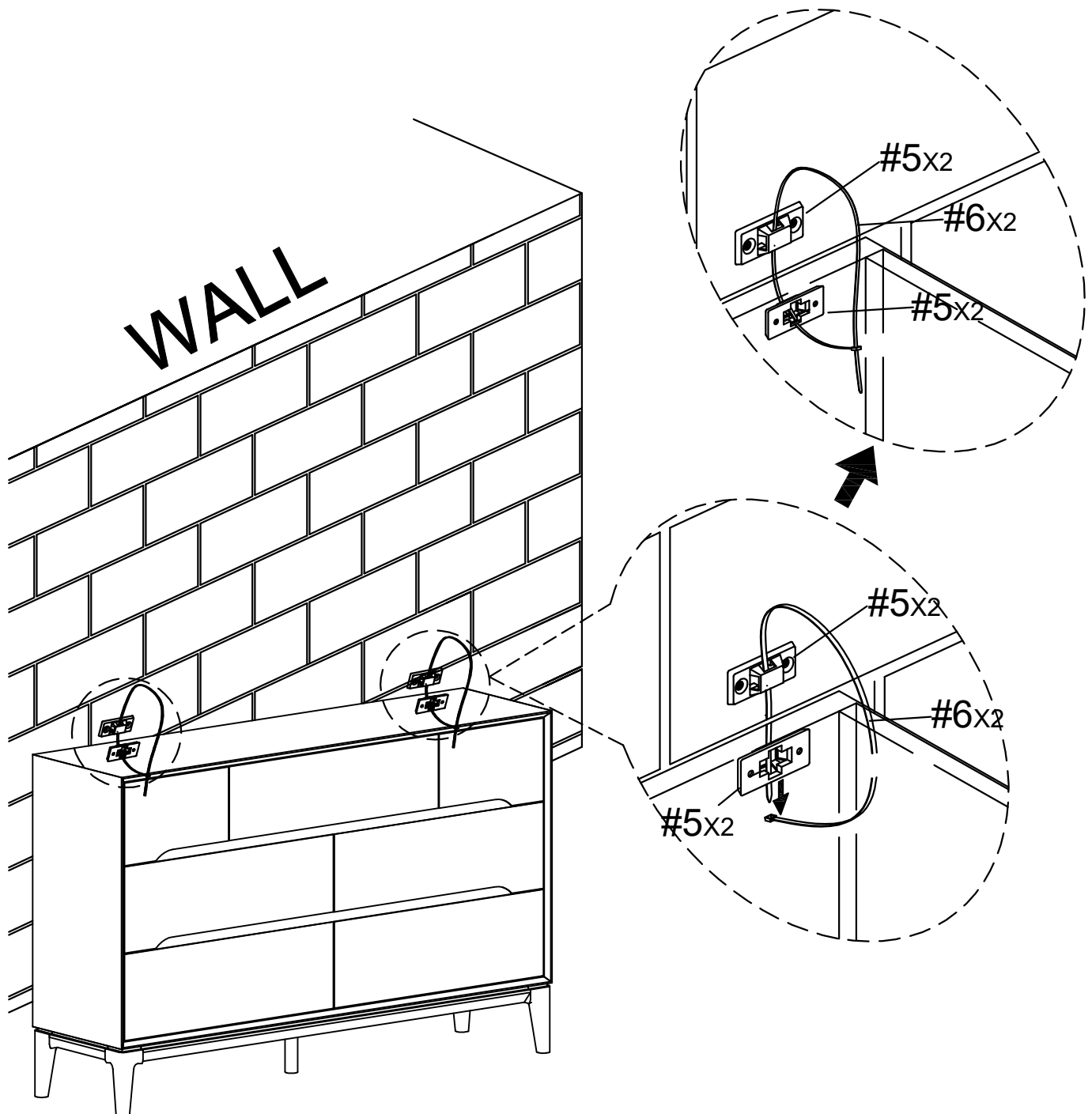


ASSEMBLY INSTRUCTIONS

STEP-5



3. Let the plastic belt #6 pass through bracket #5 and pull tightly.



WARRANTY

1. We strive to offer high-quality products, and we also try our best to satisfy each and every customer that orders from us with product or service as needed.
2. We provide 30 days warranty starting from the time you receive the item. Each customer must provide a record of their order such as the order number, or item receipt for any items that are out of the warranty period you may also still receive.
3. Replacement parts by purchasing them with our company if they are available.