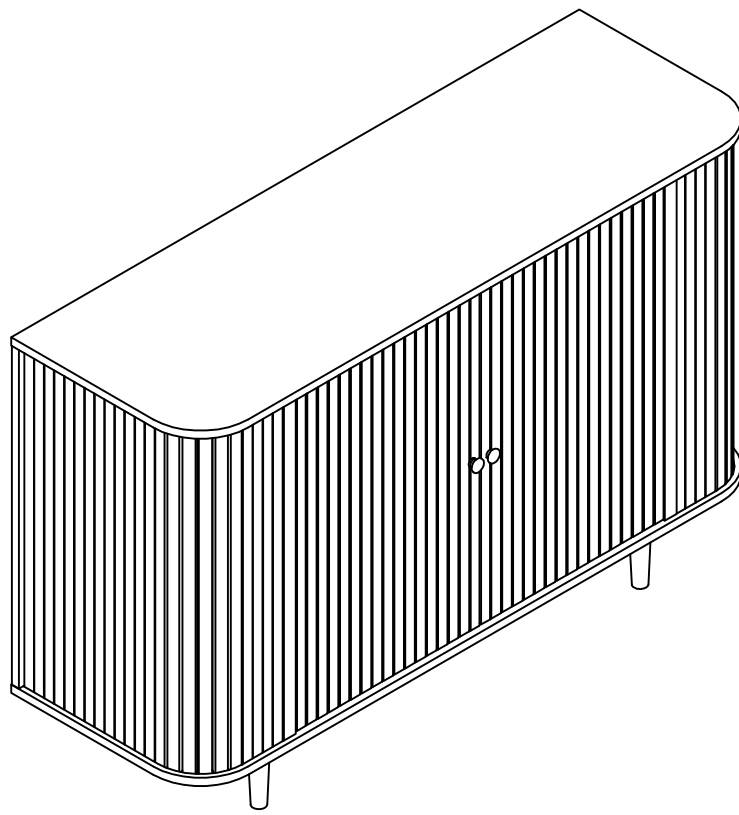


# Installation Instruction



# Assembling

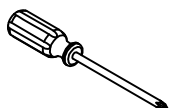
Estimated time for assembly



**45 : 00**

## What you need

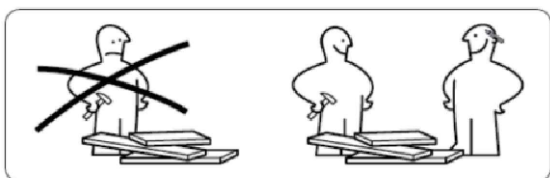
- Use the packaging carton as a working surface to prevent product damage during assembly
- Phillips head screwdriver



## Weight Limitation



**100** | **35**  
lbs table top    lbs per

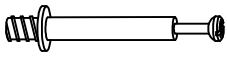


# What' included

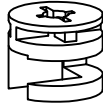
Code	Description	Qty
A	Cam Bolt M6X35MM	12
B	Cam Lock 15X12MM	12
C	Wooden Dowel M8X30MM	6
D	Screw M4X40MM	14
E	Screw M3.5X14MM	18
F	Metal shake handhandle	2
G	Nylon Strap	2
H	Screw M3.5X14MM	34
I	Cam Bolt M4X18MM	2
J	The back button	10
K	Anchor	2
L	Hinge	4
M	Ron absorption	2
N	Metal handle	2
O	Four hole iron sheet	4
P	Screw M3.5X30MM	4
Q	Shelf Holder	4

# The Hardwares

Ⓐ



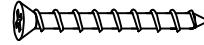
Ⓑ



Ⓒ



Ⓓ



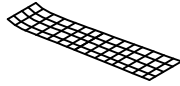
Ⓔ



Ⓕ



Ⓖ



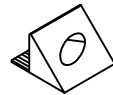
Ⓗ



Ⓘ



Ⓙ



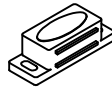
Ⓚ



Ⓛ



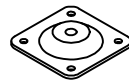
Ⓜ



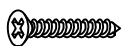
Ⓝ



Ⓞ



Ⓟ



Ⓠ



## IMPORTANT:

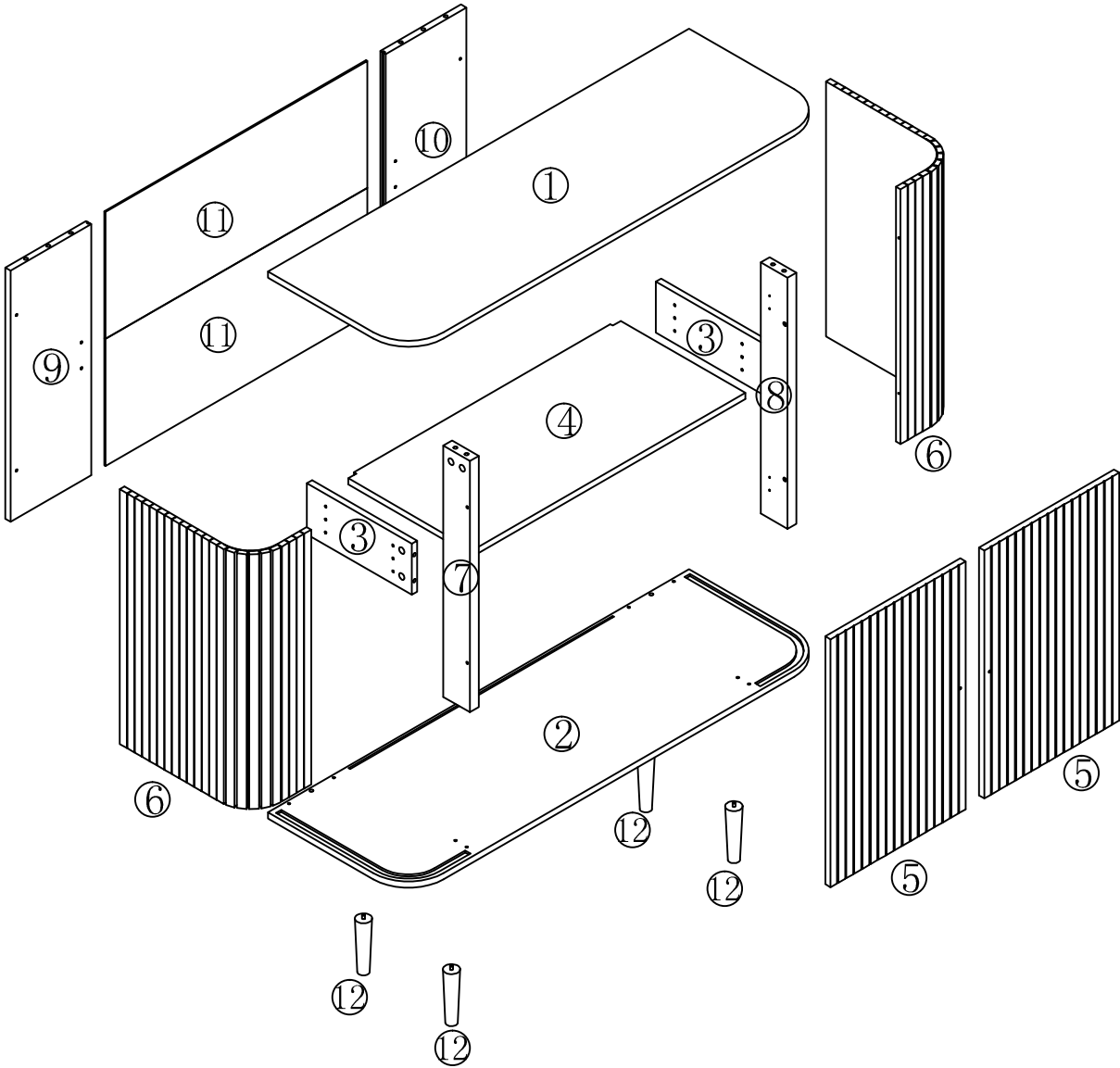
1. Do not tighten bolts / screws completely until all bolts / screws are lined up and inserted into holes.
2. Do not over tighten screws and bolts to avoid stripping
3. Please use hand tools to assemble this product. Do not use power tools.

# Included Accessories

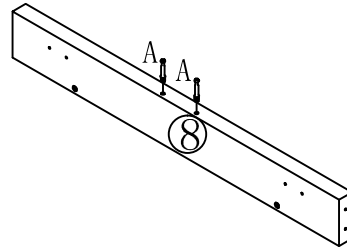
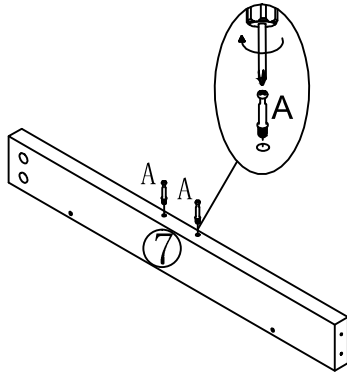
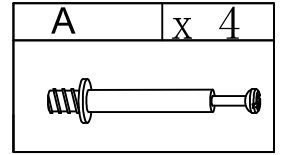
---

Code	Description	Qty
1	Cabinet Top	1
2	Bottom Panel	1
3	Medial plate	2
4	Movable laminated plate	1
5	Metal Door	2
6	Lateral plate	2
7	Anterior left side plate	1
8	Anterior right side plater	1
9	Left posterior plate	1
10	Posterior right side plate	1
11	Backboard	2
12	Supporting foot	4

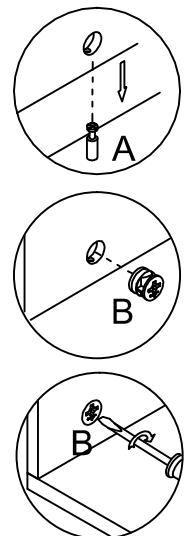
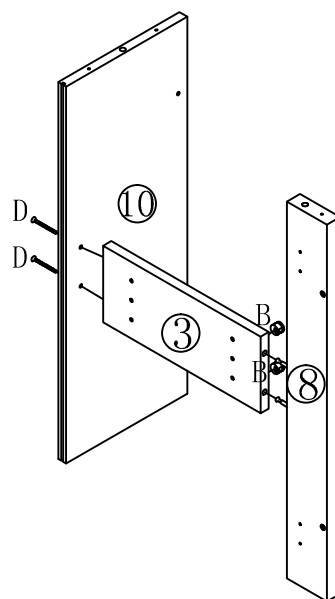
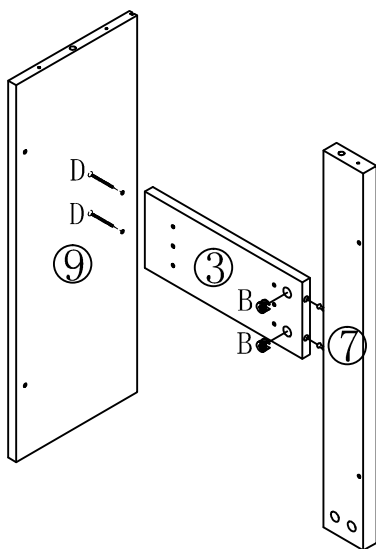
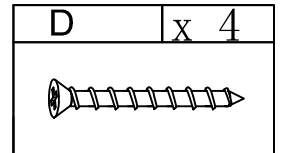
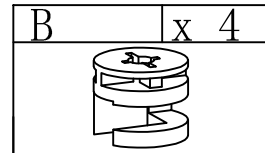
# The Accessoriess



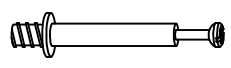
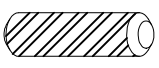

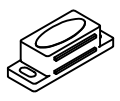
# Step 1

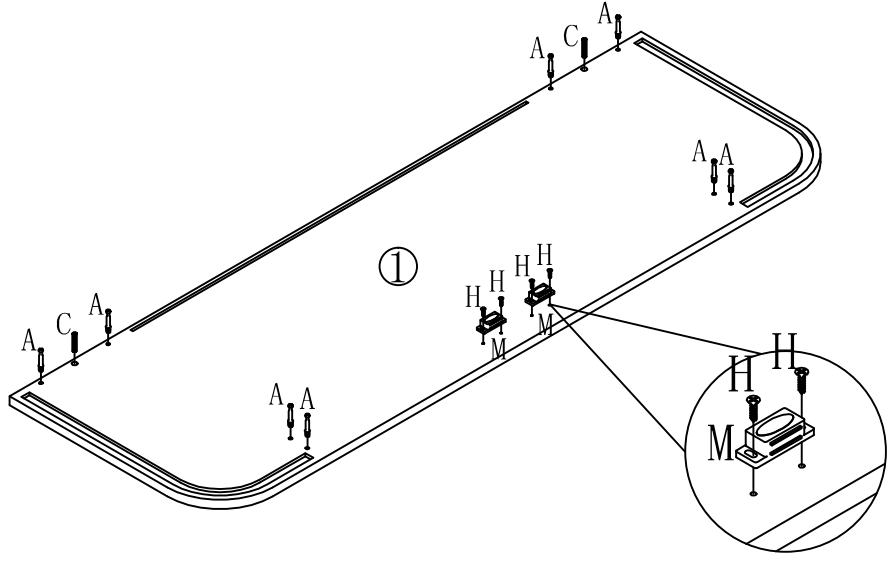


# Step 2




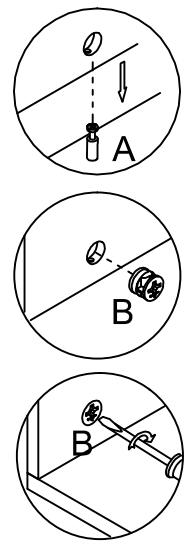
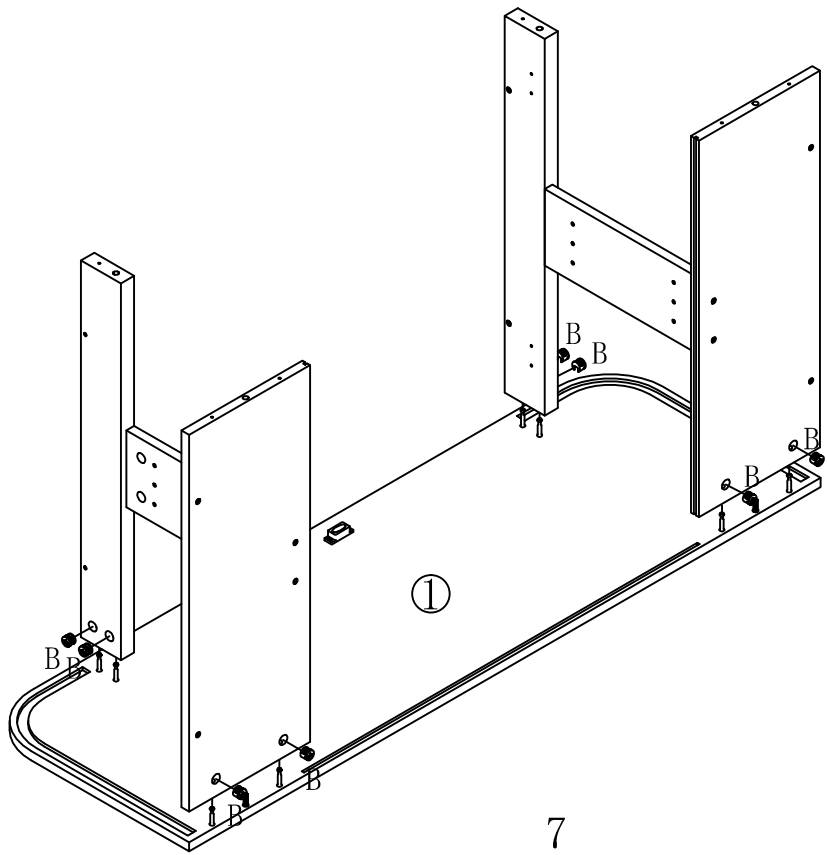
# Step 3

A	x 8	C	x 2	H	x 4	M	x 2
							

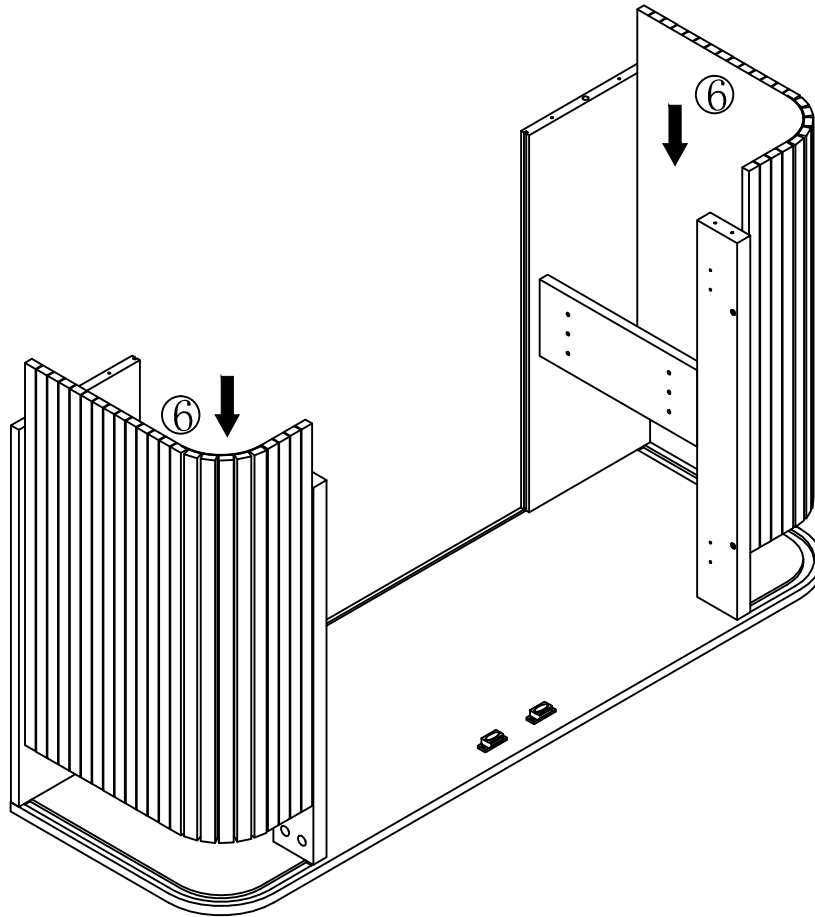


# Step 4

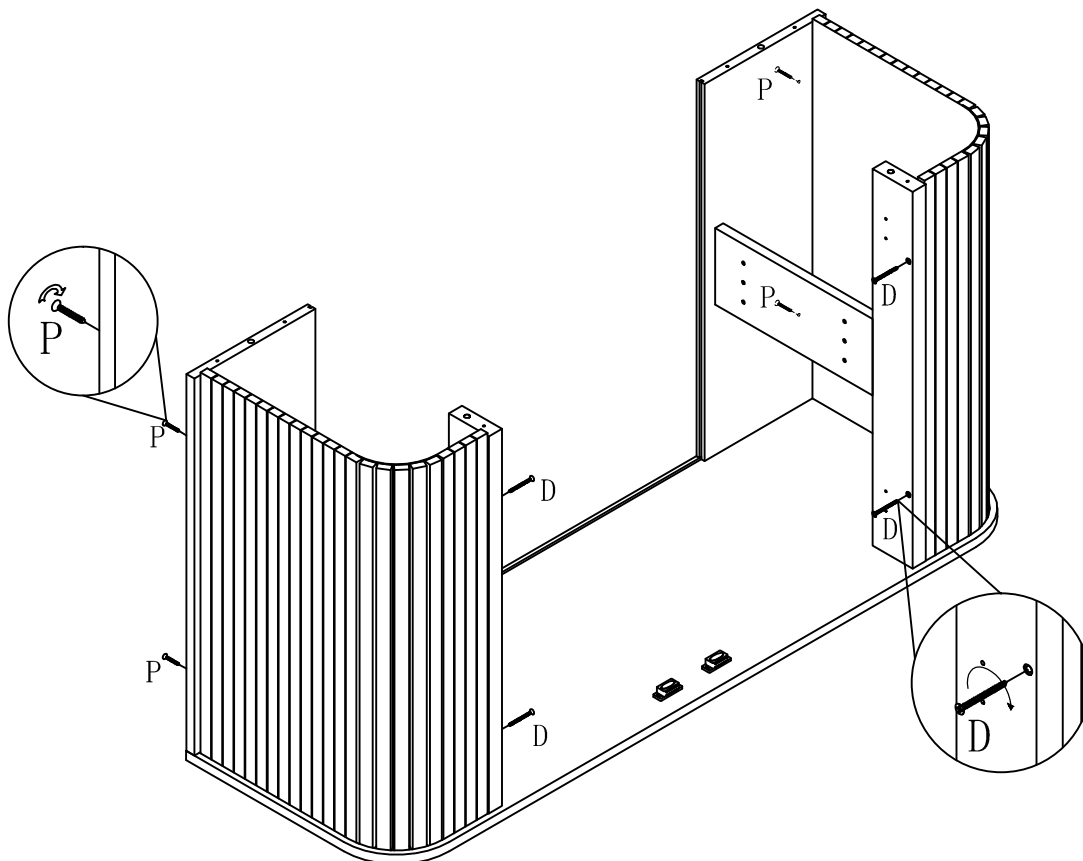
B	x 8
	



# Step 5



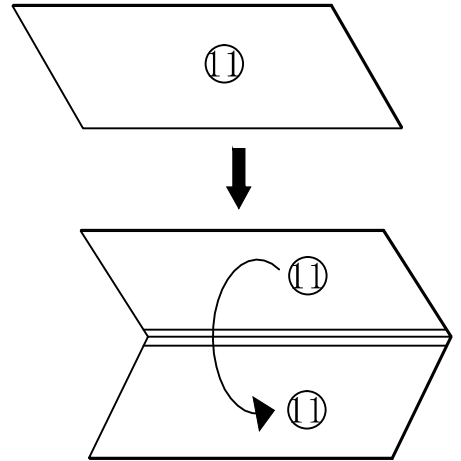
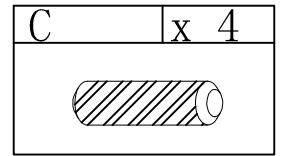
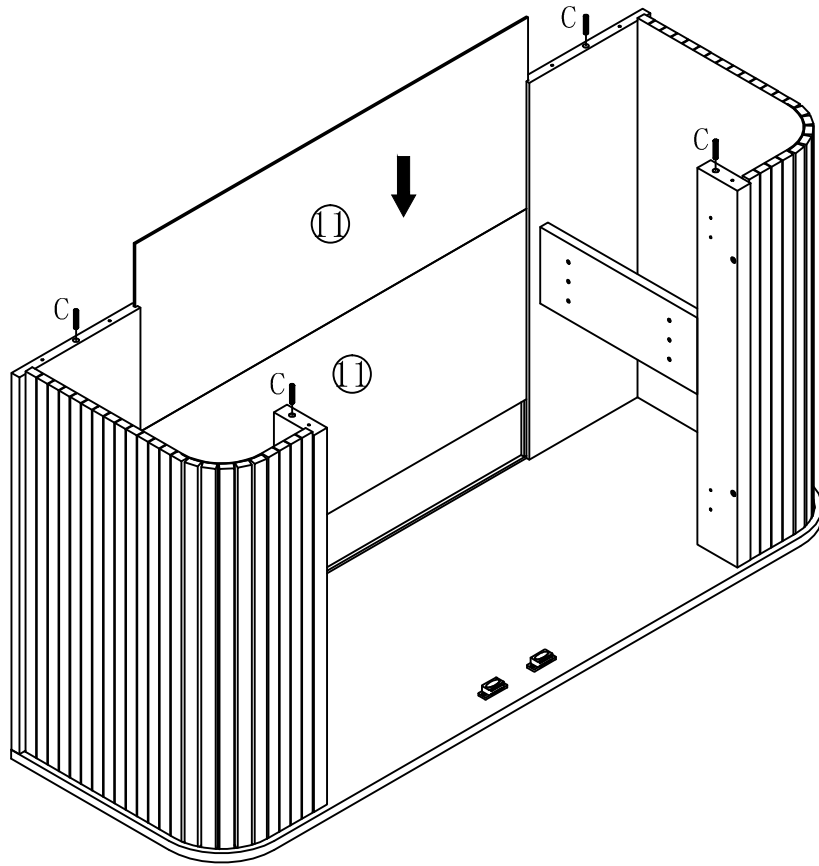
# Step 6



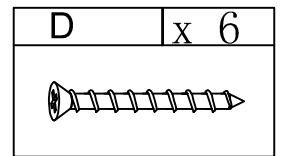
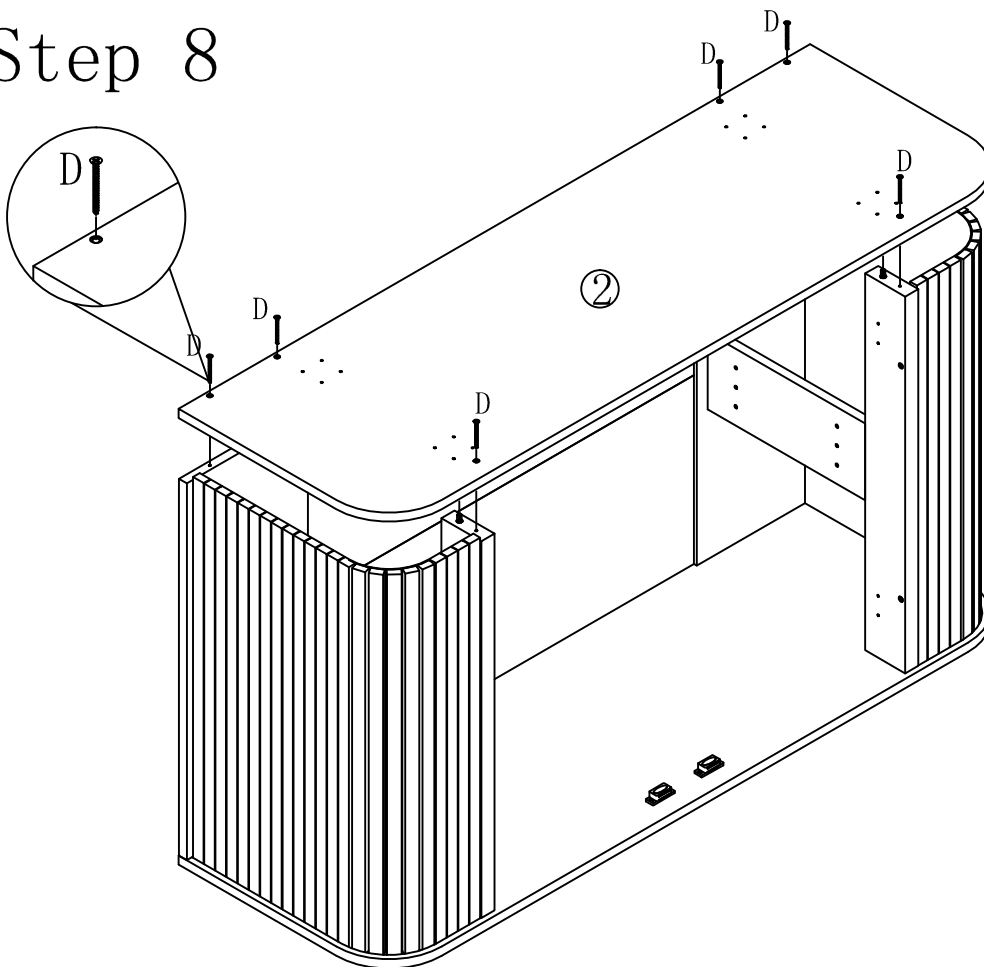
D	x 4

P	x 4

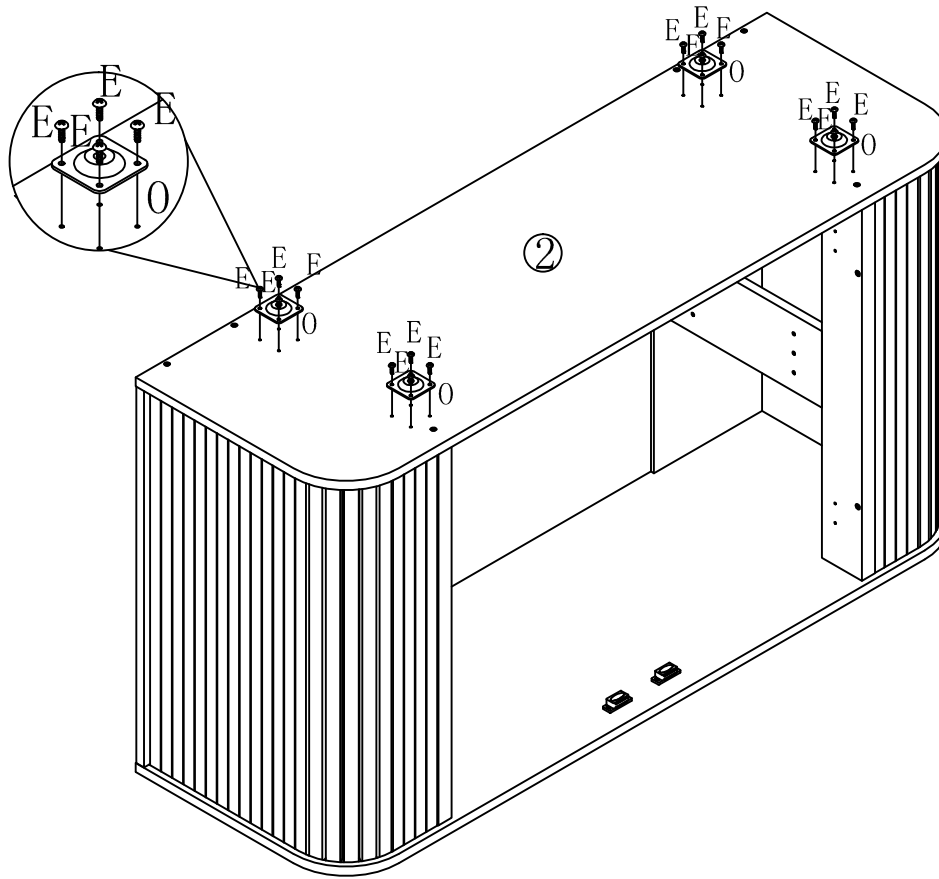
# Step 7





# Step 8



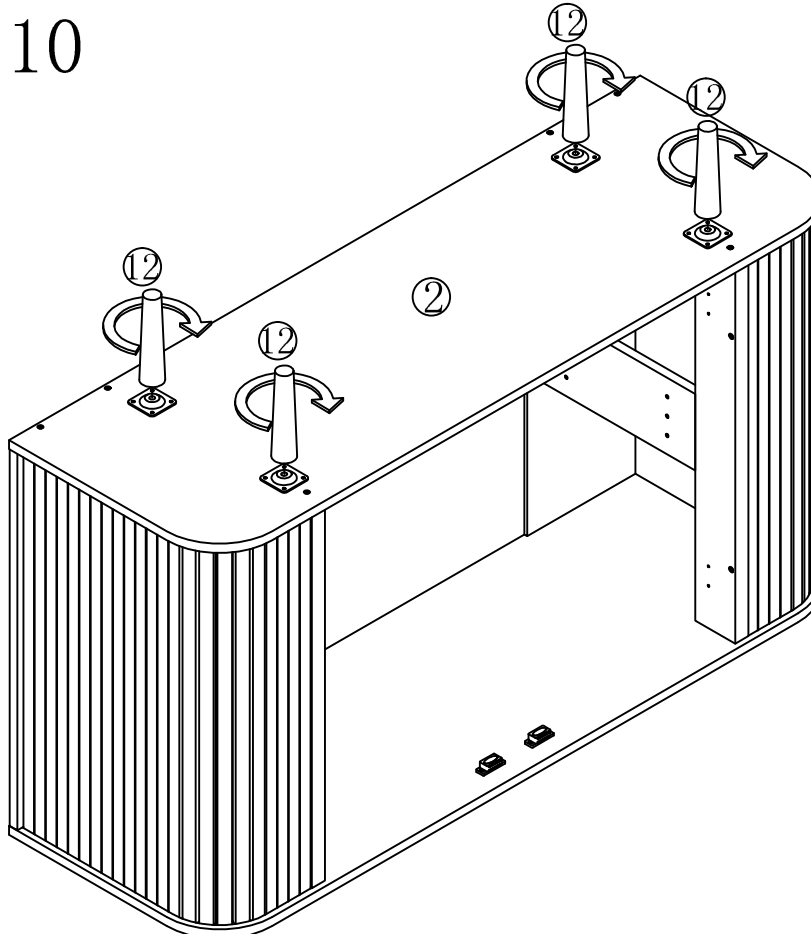
# Step 9




E	x 16
	

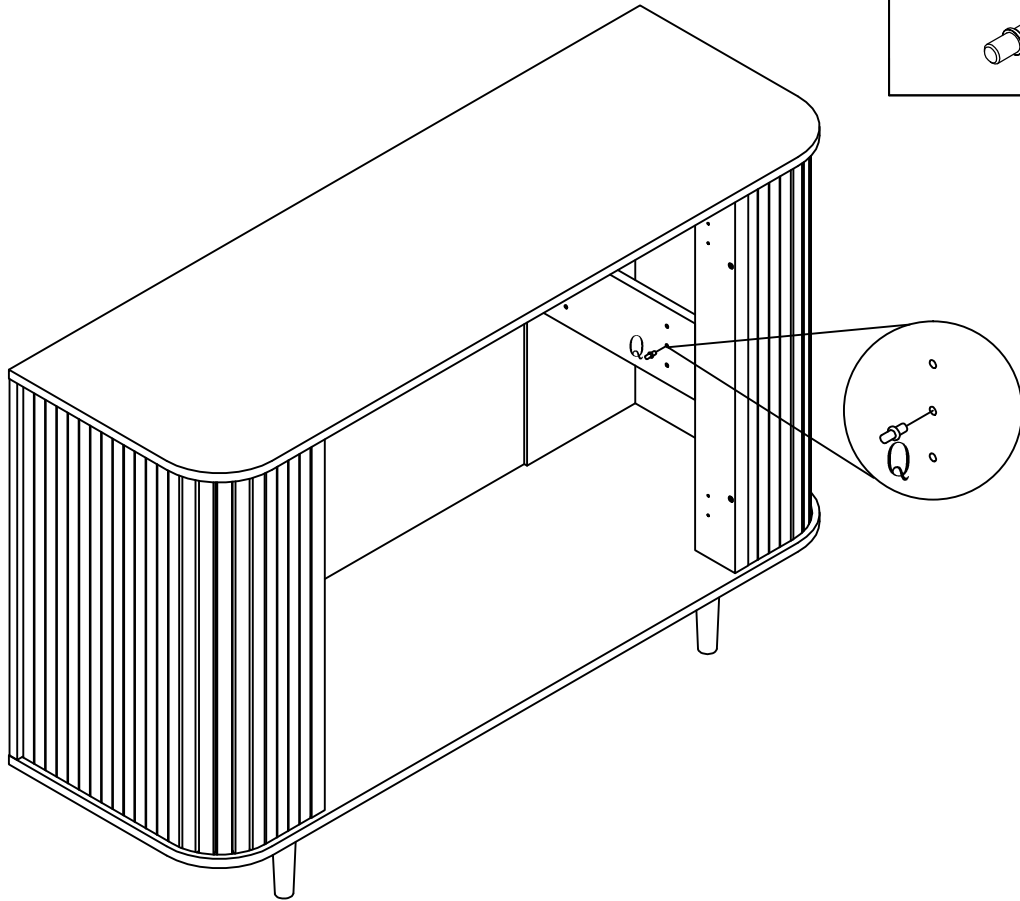
O	x 4
	

# Step 10

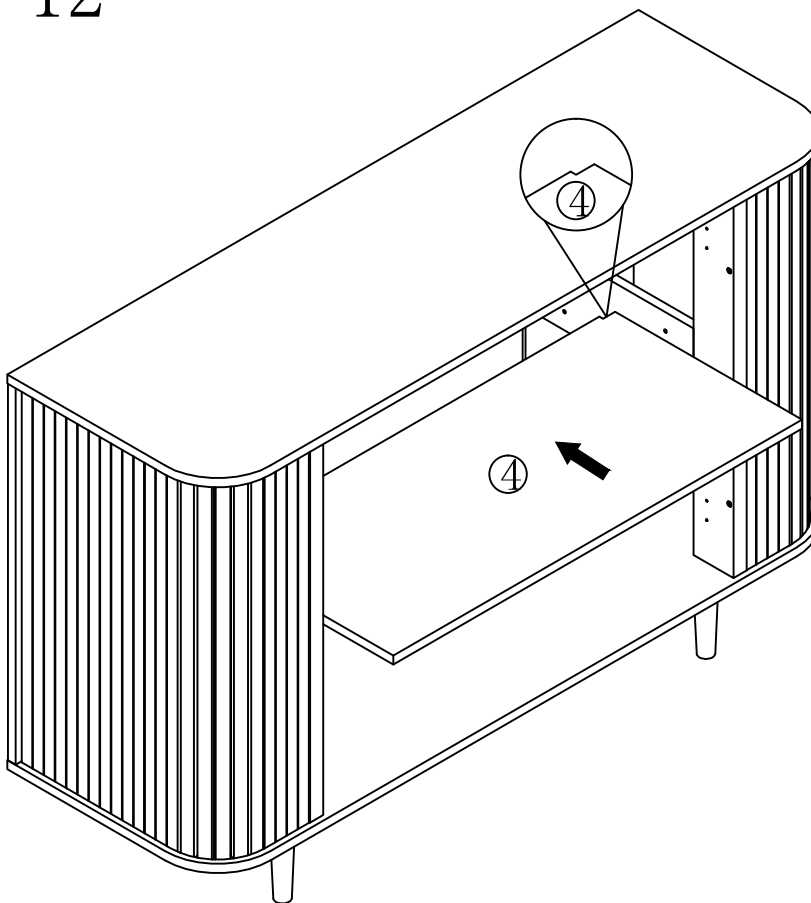


# Step 11

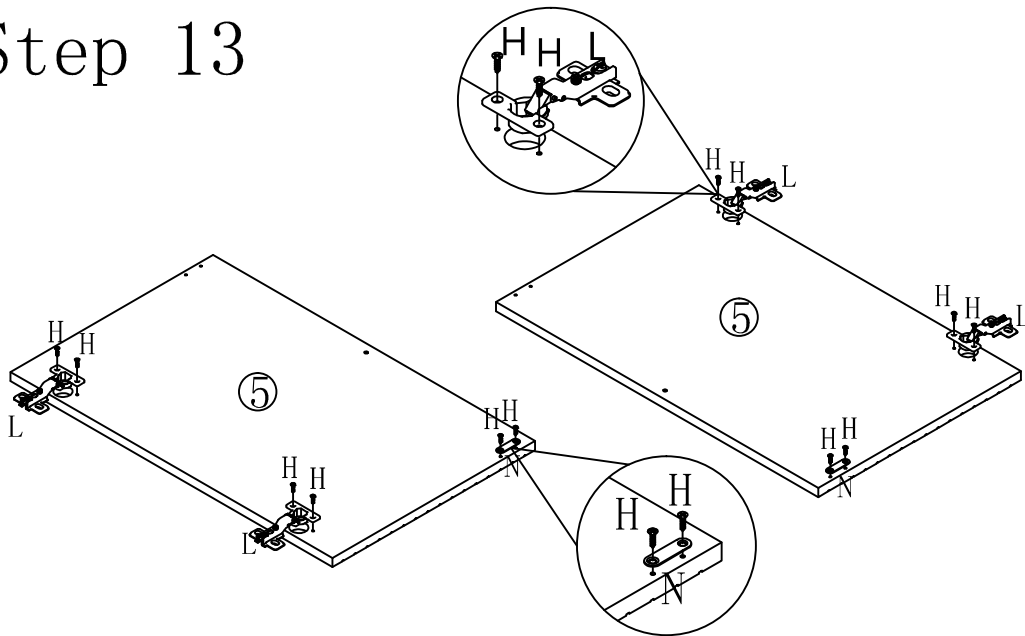
Q	x 4
	



# Step 12



# Step 13

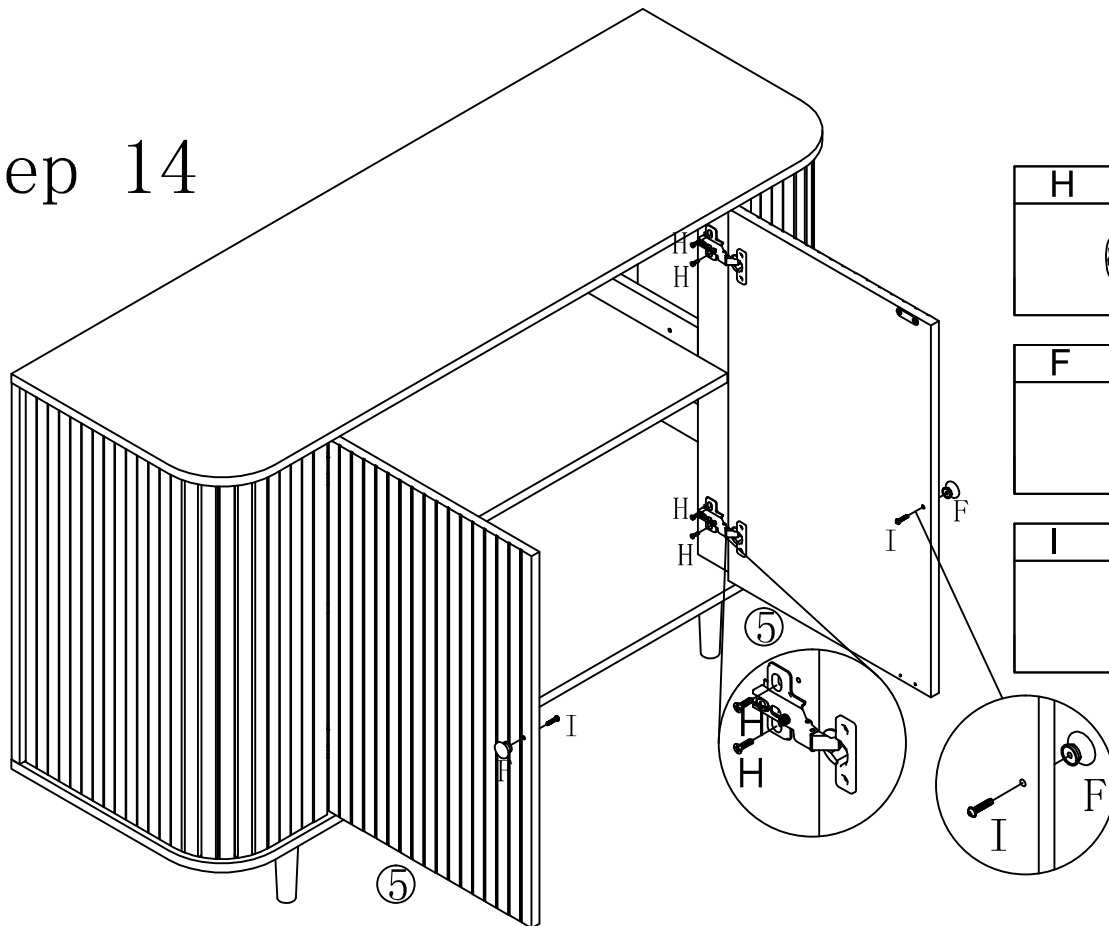


H	x 12

L	x 4

N	x 2

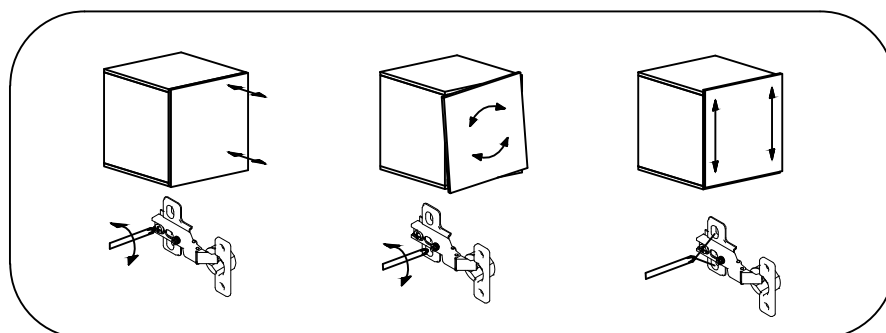
# Step 14



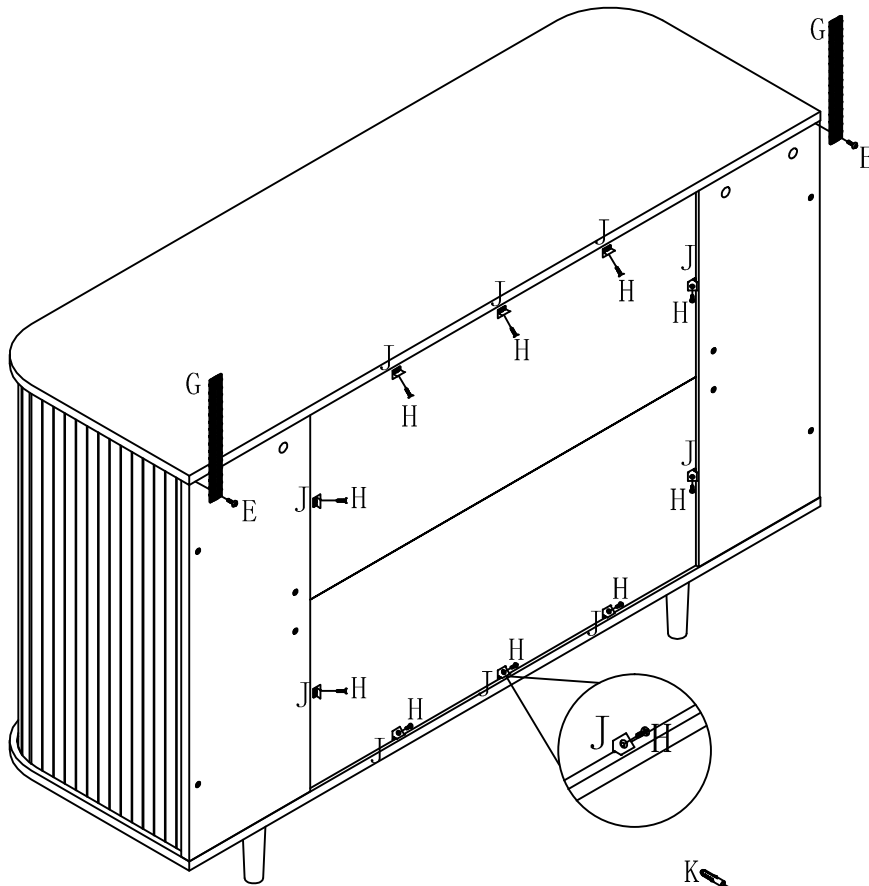
H	x 8


F	x 2

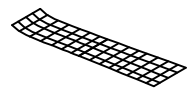
I	x 2




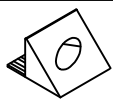
# Step 15



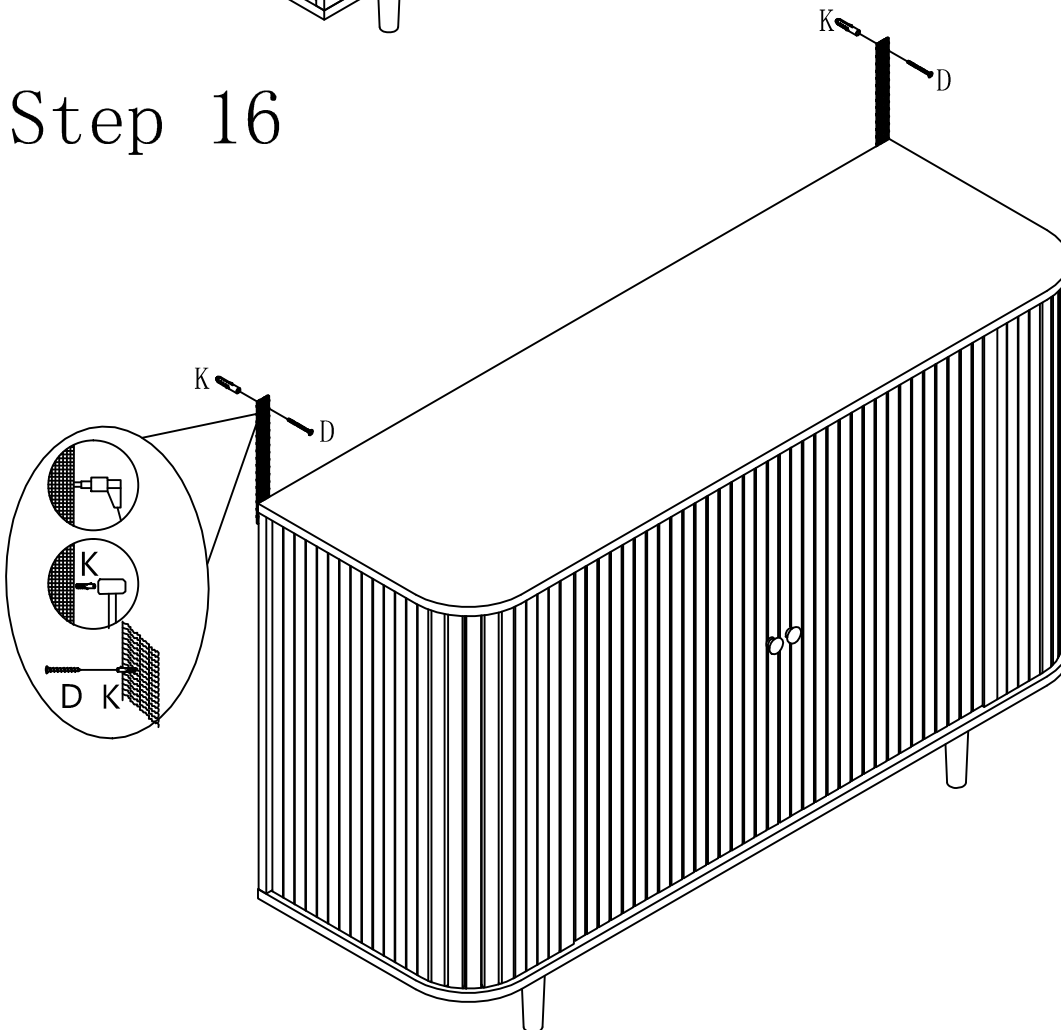
E	x 2
	

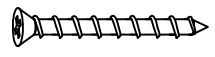
G	x 2
	

H	x 10
	

J	x 10
	

# Step 16



D	x 2
	

K	x 2
