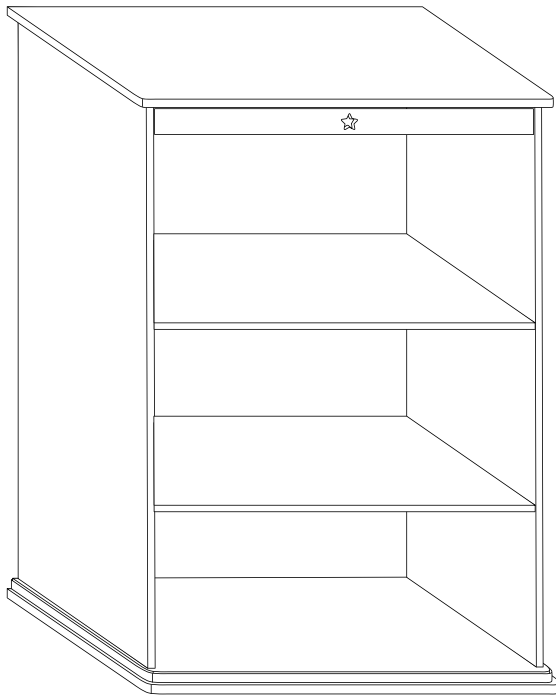


**Great
Little**
Trading Co.

gltc.co.uk

Star Bright Bookcase L3959



Assembly Difficulty



easy - medium - hard



two-person job

VI

20/05/2016

Thank you for shopping with GLTC, we hope you enjoy having this product in your home.

We know assembling furniture, toys or accessories is not everyone's favourite way to spend their time, so we've tried to make assembling this item as quick and painless as possible.

Hopefully our efforts will have been worthwhile and you'll sail through the whole process. But if it all feels a bit too much like hard work, then we do have an assembly company we can recommend: the Flatpack Construction Company offers a nationwide service and can be contacted on **0843 289 4951** or **www.flatpackconstruction.co.uk**.

Good luck!

A few important pointers before you start:

- It might be worth checking on our website that there are no updates or revisions to these instructions (if we have had helpful feedback from other customers we pass it on via the product web page). Simply check the date and version number on the front of this leaflet against that of any site updates.
- Please read the instructions right through before you start, and check that all the components have been included in the pack; we find separating all the hardware into piles makes it easier to be sure that everything is present and correct.
- Make sure you have the right tools. Allen keys are provided if required, but screw drivers and other tools are not. You'll find details of the tools you need at the beginning of the instructions.
- It's a good idea to build the unit in the room where you are going to be using it, to avoid the need to move it after it's been assembled.
- Do not throw away any packing materials until assembly is complete, just in case you accidentally discard smaller parts or hardware.

Safety Warnings:

- Adult assembly required.
- Unassembled product contains small parts which may present a choking hazard.
- Children should be kept away from the product during assembly to avoid any possible risk of injury.
- Assemble and use on a flat and level surface.
- DO NOT use power tools in the assembly of this product as there is a risk of over-tightening and consequently splitting of the wood.
- To avoid possible injury from tipping, DO NOT allow children to climb on the product.
- Always use the wall straps provided.
- Wall fixings not included. Please use appropriate fixings that are suitable for the wall type. If in doubt, please seek professional advice.
- Check all fixtures and fittings regularly and tighten as necessary.
- Please retain these instructions for future reference.

Customer Service:

- If you find that any components are missing or damaged, please do not begin assembly and do not use the item. Please contact GLTC Customer Services on **0344 848 6000** immediately.
- We do stock spare hardware packs at our warehouse, so we should be able to send you a replacement pack immediately if required.

Product Care:

- Wipe clean using a soft damp cloth followed by a dry cloth.
- Do NOT use cleaning products which contain ammonia, solvents or abrasive material.
- Do NOT expose the item to extremes of heat and humidity.


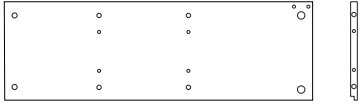




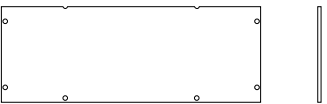

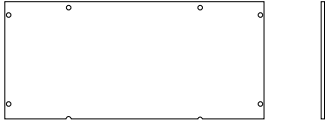
Could we do better?

If there is anything you think could be improved in these instructions or in the assembly of this product we'd be grateful if you could let us know; we'll pass any helpful hints and tips on to other customers via our website and update the instructions.






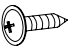

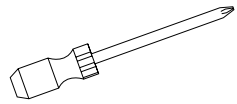
All you need to do is drop us a line at instructions@gltc.co.uk

Thank you

Component Check List

| | |
|--|--|
| <p>A</p>  <p>1x RH Side Panel</p> | <p>B</p>  <p>1x LH Side Panel</p> |
| <p>C</p>  <p>2x Shelf Panels</p> | <p>D</p>  <p>1x Star Panel</p> |
| <p>E</p>  <p>1x Base Panel</p> | <p>F</p>  <p>1x Top Panel</p> |
| <p>G</p>  <p>1x Lower Back Panel</p> | <p>H</p>  <p>1x Middle Back Panel</p> |
| <p>I</p>  <p>1x Upper Back Panel</p> | |

Component Check List

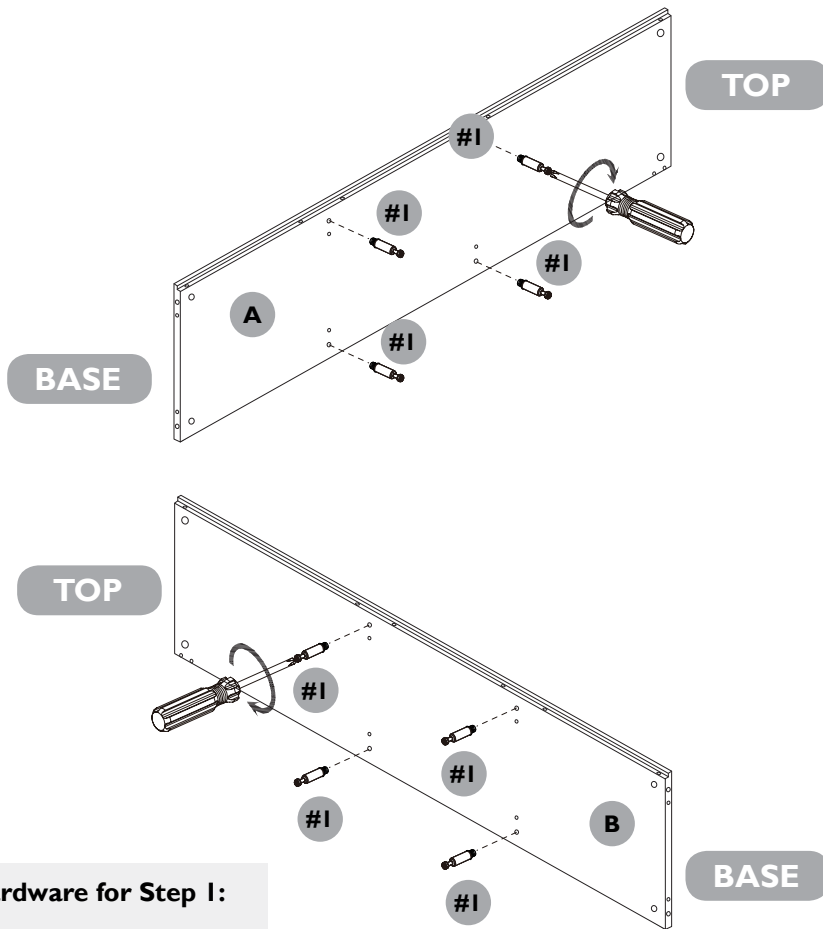
| | |
|---|---|
| <p>#1</p>  <p>14x Cam Dowels 35mmL</p> | <p>#2</p>  <p>14x Cam Locks 14mm Diameter</p> |
| <p>#3</p>  <p>20x Wooden Dowels 20mmL</p> | <p>#4</p>  <p>4x Barrel Nuts</p> |
| <p>#5</p>  <p>4x Threaded Bolts 42mmL</p> | <p>#6</p>  <p>18x Screws 17.5mmL</p> |
| <p>#7</p>  <p>1x Allen Key</p> | <p>You will need (not supplied)</p>  <p>Phillips Head Screwdriver</p> |
| | |

NOTE:

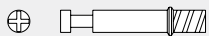
You will be building this unit face down. To make later steps easier and also to protect the product during the building process, we suggest laying the polystyrene packing down on the floor first and building on top of it.

STEP 1:

Take both side panels (A & B) and insert 4x cam dowels (#1) into the outside holes on EACH panel.



Hardware for Step 1:

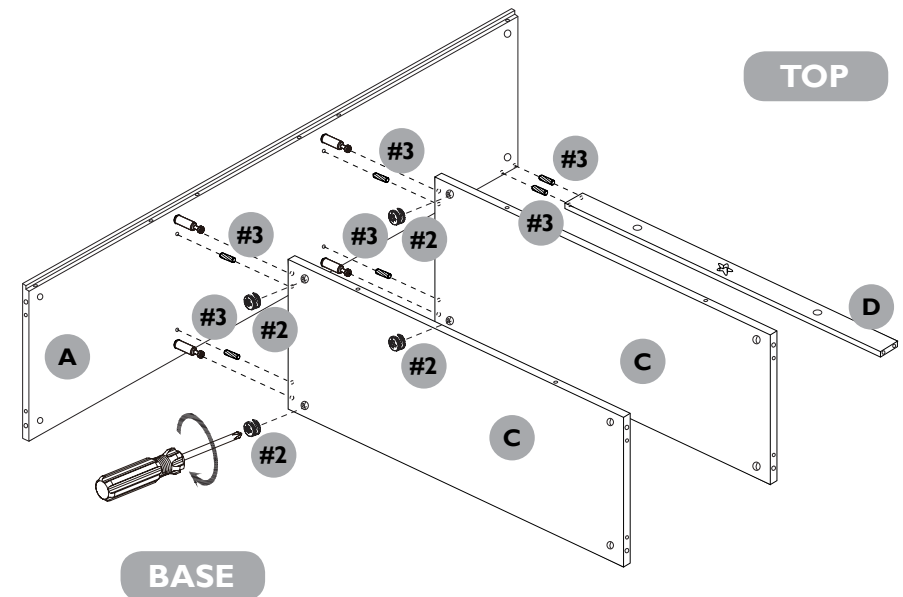


8x #1 Cam Dowels

STEP 2:

Take the two shelf panels C and the star panel D and position them as shown against the RH side panel A. Ensure the edges of the shelves with the small pilot holes are facing upwards and the large drill holes on the shelves themselves are facing down towards the base of the unit. Also check that the large holes on the star panel are facing up, as shown.

Push the three panels into place using the wooden dowels (#3) and then secure the shelves by inserting 4x cam locks (#2) and turning clockwise to lock.



Hardware for Step 2:



4x #2 Cam Locks

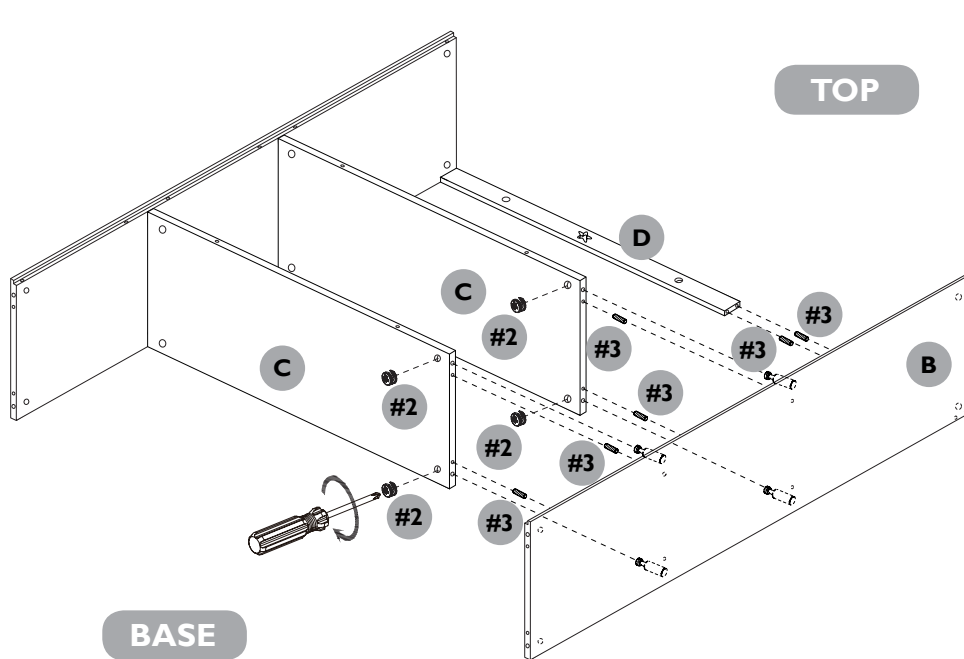


6x #3 Wooden Dowels

STEP 3:

Position the left hand side panel B onto the unit using the fixed hardware and the wooden dowels (#3). Ensure the smaller drill holes on the side panel are at the base end of the unit.

Secure the shelves to the side panel by inserting 4x cam locks (#2) into the large drill holes and turning clockwise to lock.



Hardware for Step 3:



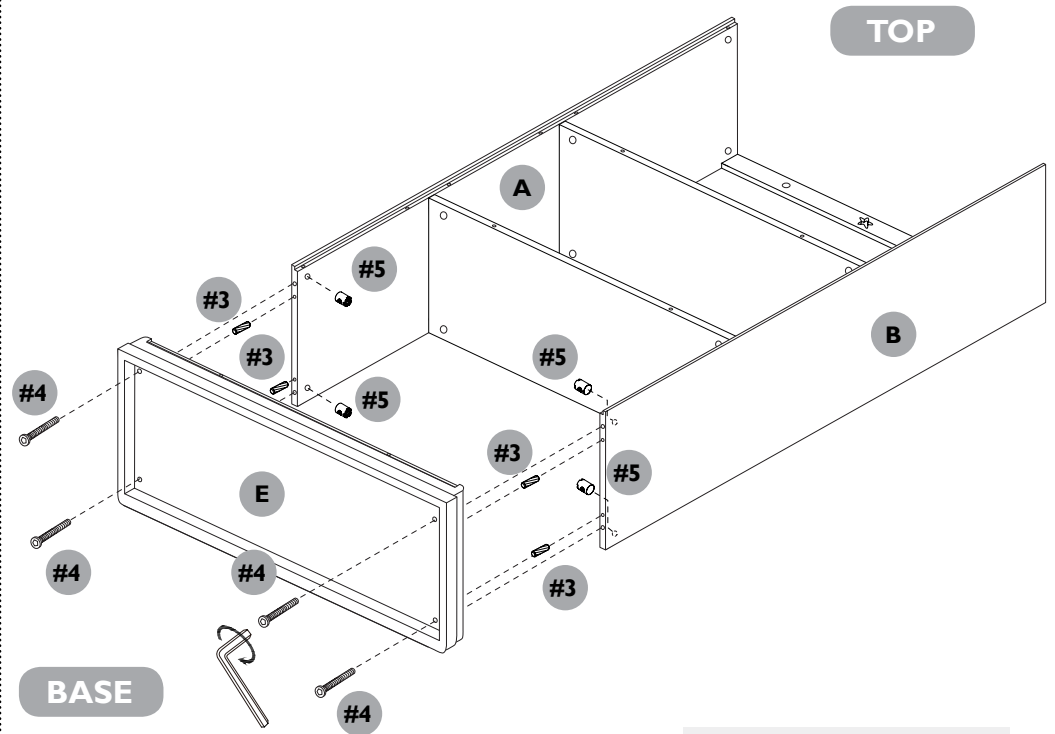
4x #2 Cam Locks



6x #3 Wooden Dowels

STEP 4:

Attach the base panel E to the rest of the unit using wooden dowels, bolts and barrel nuts as shown. Tighten the bolts using the Allen key provided.



NOTE:

This is where it helps building on the polystyrene packaging. The unit will now be raised slightly making it easier to attach the base & top panels without having to lift up the part constructed unit.

Hardware for Step 4:



4x #3 Wooden Dowels



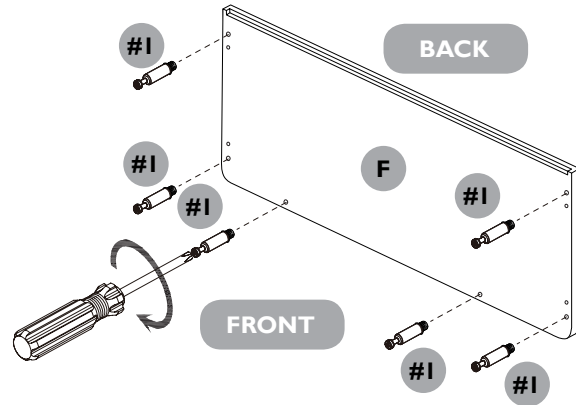
4x #4 Bolts



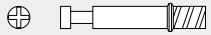
4x #5 Barrel Nuts

STEP 5:

Prepare the top panel F.



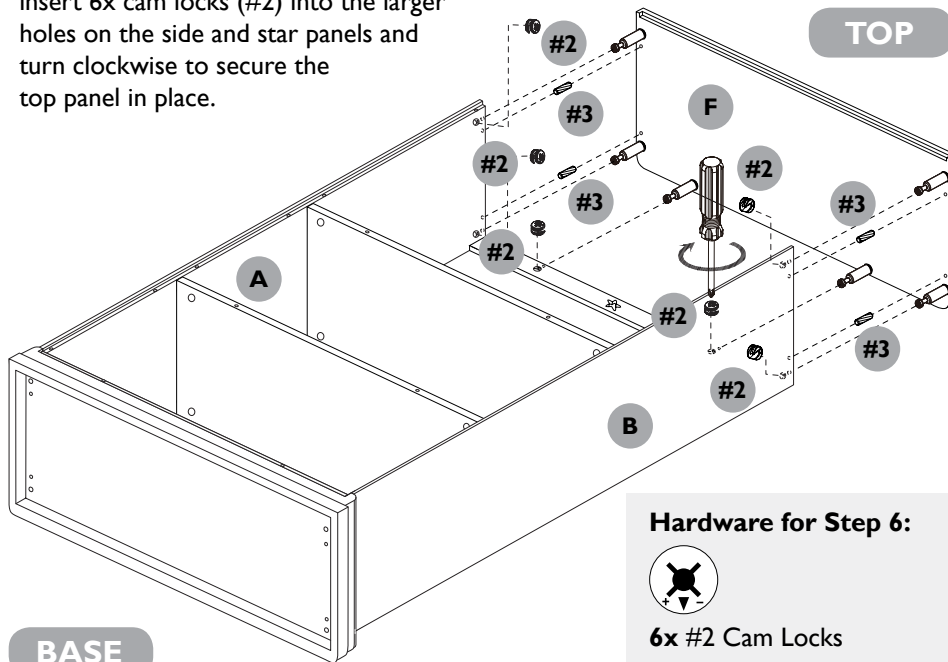
Hardware for Step 5:



6x #1 Cam Dowels

STEP 6:

Position the top panel F onto the unit using the fixed hardware and wooden dowels (#3). Once in place, insert 6x cam locks (#2) into the larger holes on the side and star panels and turn clockwise to secure the top panel in place.



Hardware for Step 6:



6x #2 Cam Locks



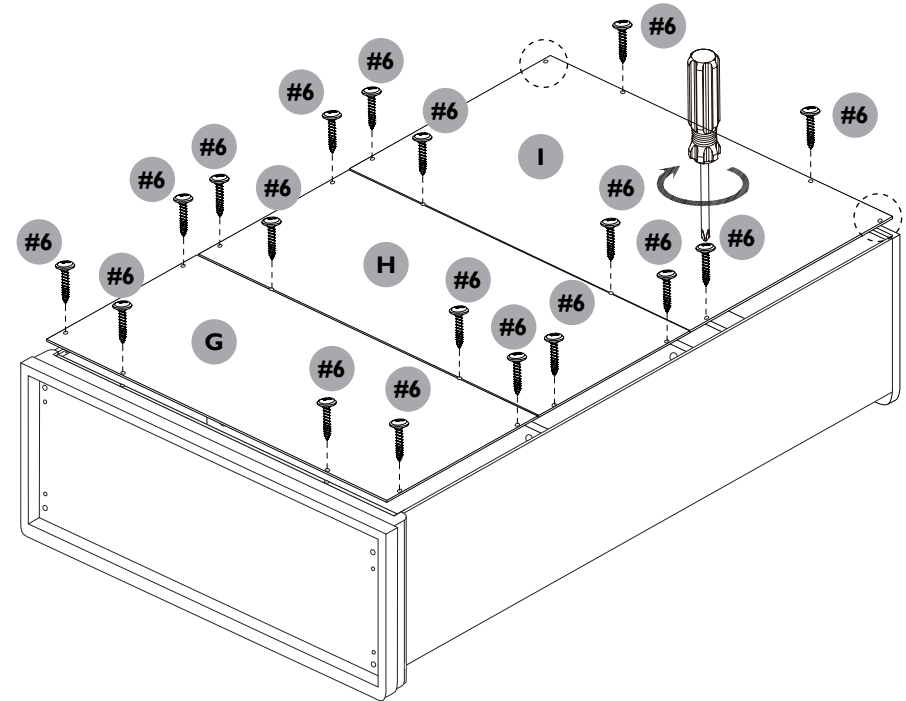
4x #3 Wooden Dowels

STEP 7:

Attach the back panels using the longer, thinner screws (#6). Check that the back panels are positioned as shown.

NOTE:

The two pilot holes on the top corners of the upper back panel need to be left free for Step 8.

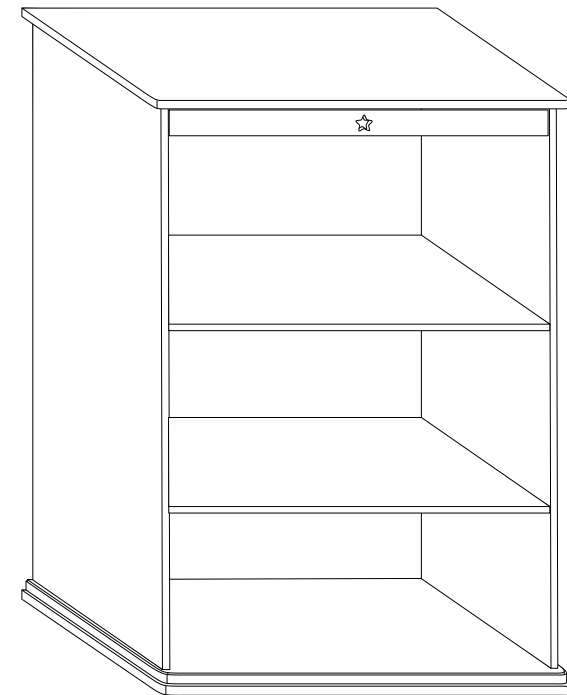
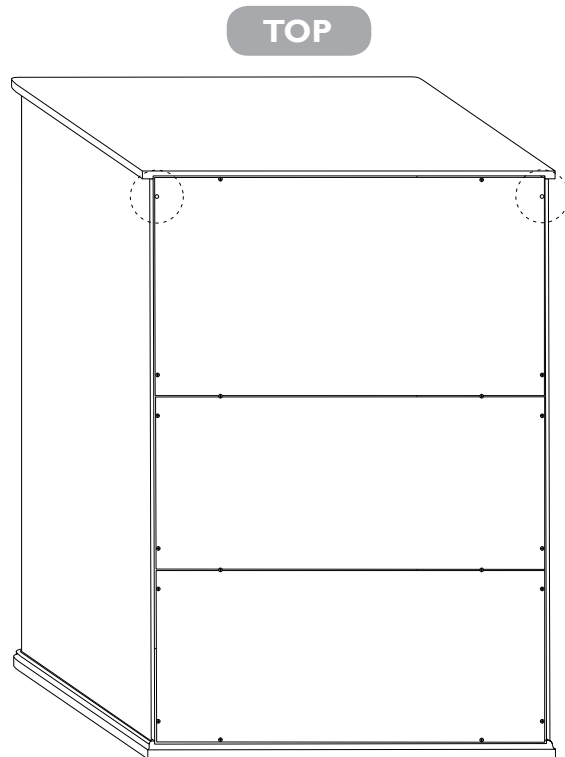


Hardware for Step 7:



18x #6 17.5mmL Screws

STEP 8: Please note that the 2x pilot holes indicated at the top of the unit are to attach anti tip straps included separately with this item.



Your unit is ready to use.

Please be aware that we advise that safety straps are used to secure this to the wall, for details on securing the unit to the wall see the anti-tip kit guidance. Alternative furniture safety straps are available at www.gltc.co.uk

Copyright© 2016 G.L.T.C. Ltd. All rights reserved.
Great Little Trading Company and GLTC are registered trade marks of G.L.T.C. Limited.