

BLANCO ANDANO 400/400-IF

Item No. BL467008

Pros



A symphony in stainless steel

- Unique composition of visual and functional elements
- The combination of radii and surface design creates a modern design
- High quality features consisting of a covered C-overflow® and modern basket strainer
- Large bowl capacity and fully usable base
- For installation from above or undermount installation
- Stylish: glass food board in silver-look and stainless steel colander

Surfaces

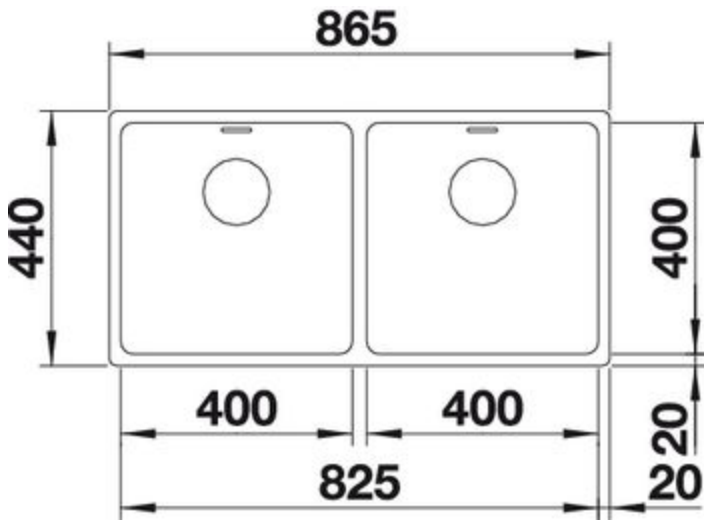


Stainless steel
18/10

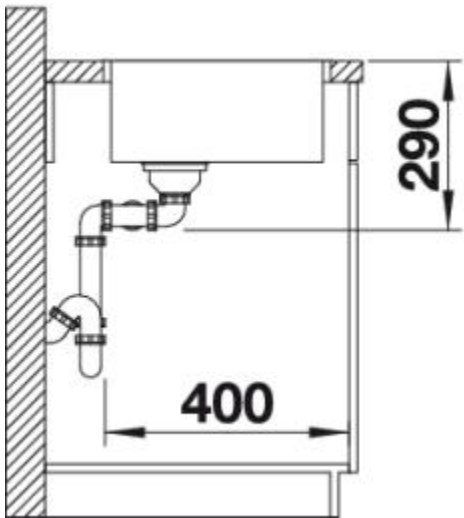
Stainless steel 18/10

Item No. BL467008

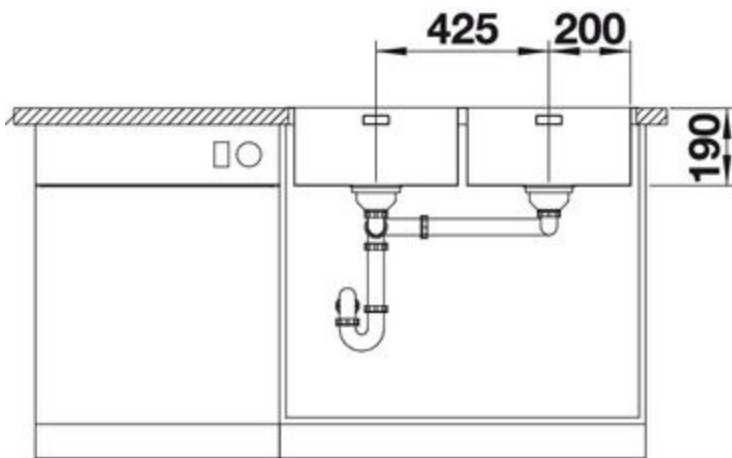
Details



Top View



Side View



Front View

Scope of supply

waste and overflow fitting with space-saving pipe, 3 1/2" basket

strainer, fixing kit (sealing not included)

Design tips

Cabinet Width: 90 cm

Bowl depth: 190 mm / 190 mm

Cut out size: 855 x 430 x 15R

Universal handing

Taps



BLANCO VONDA

chrome

BM3750CH



BLANCO CUBIC

chrome

BM1251CH

Optional Accessories



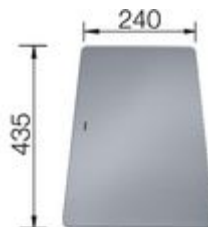
Chopping board

BL230700



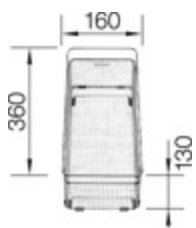
Colander

BL227692



Cutting board

BL227697



Colander

BL223297

BLANCO UK Limited

Tel: 01923 635200

Fax: 0800 0911608

➤ www.blanco.co.uk