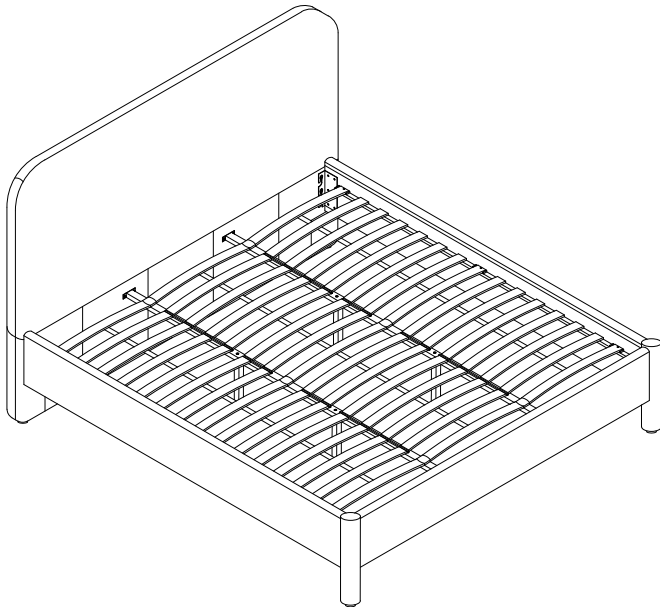


ASSEMBLY INSTRUCTION

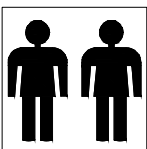


Please **TEAR OFF** this shrink film from side!
DO NOT USE CUTTER!

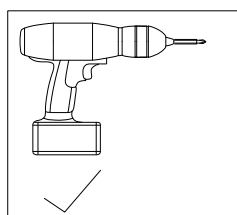
ITEM NUMBER:BU005

IMPORTANT NOTE

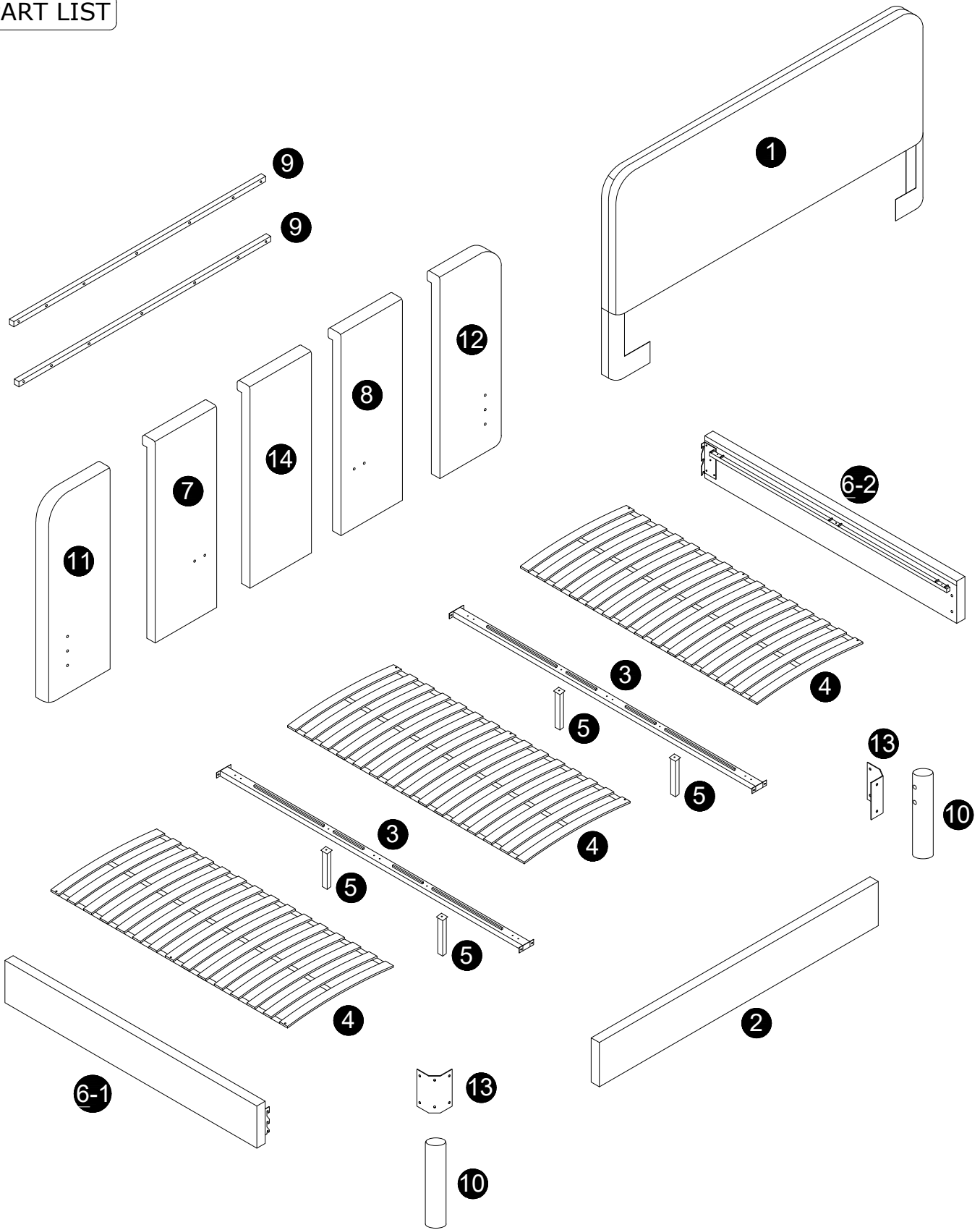
1. For the protection of your furniture, place all parts on a clean and smooth surface to prevent any damage.
2. Keep fittings out of children's reach and keep children well away from construction area.
3. When moving your assembled bed. it is best to lift the bed and never to drag it.
4. Do not use this product if parts are missing, damaged or worn.
5. This product should only be used on firm, level ground.
6. Please periodically check all fittings and re-tighten as necessary.
7. Do not use the bed unless all bolts and screws are firmly secured.
8. For further assistance, please provide a screenshot of your order and contact us via email at support@velocavabed.com



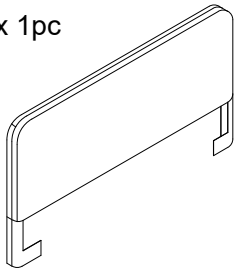
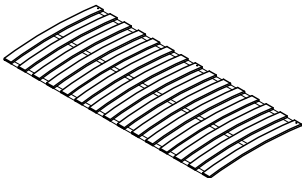

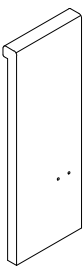

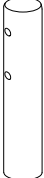
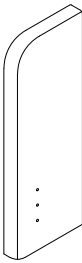
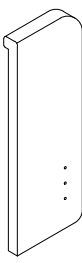
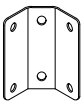
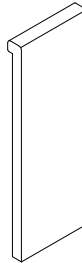
Minimum two
person assembly



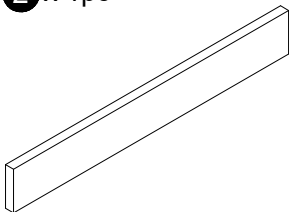
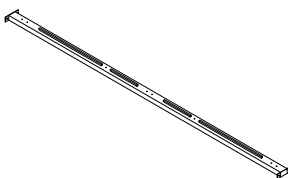
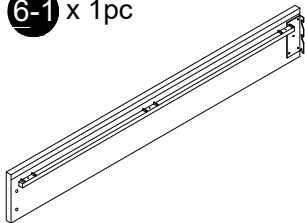
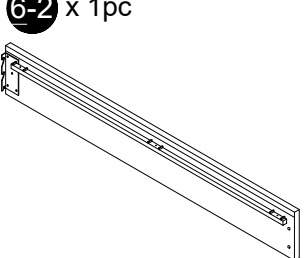
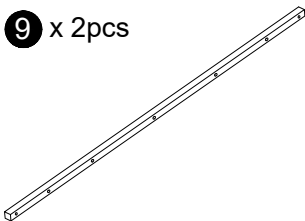
PART LIST




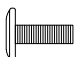



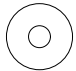

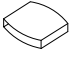
Components of Carton A

1 x 1pc 	4 x 3pcs 	5 x 4pcs 	7 x 1pc 
8 x 1pc 	10 x 2pcs 	11 x 1pc 	12 x 1pc 
13 x 2pcs 	14 x 1pc 		

Components of Carton B

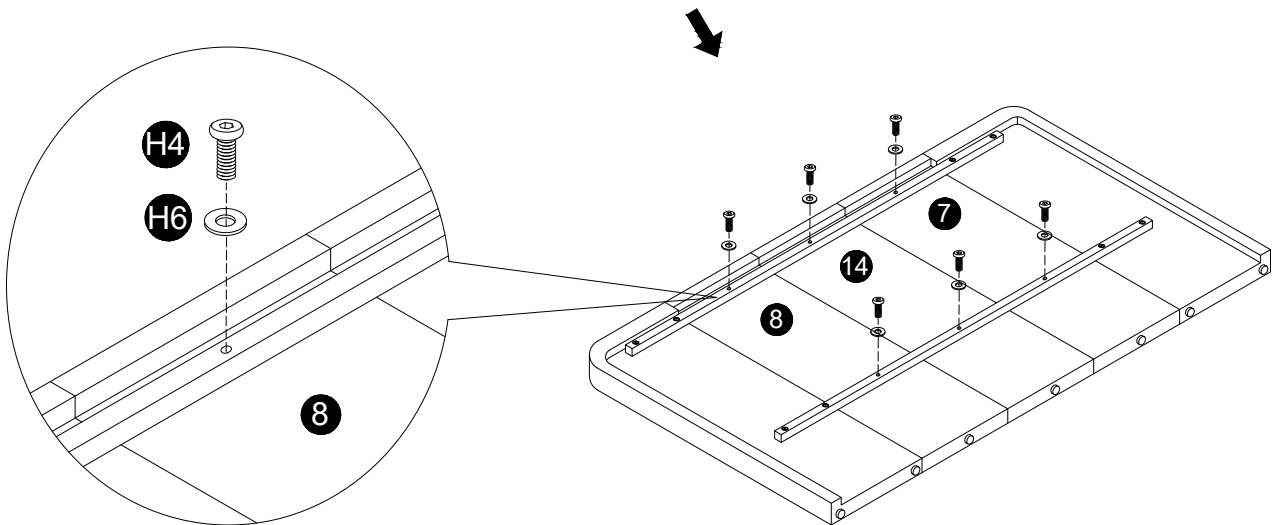
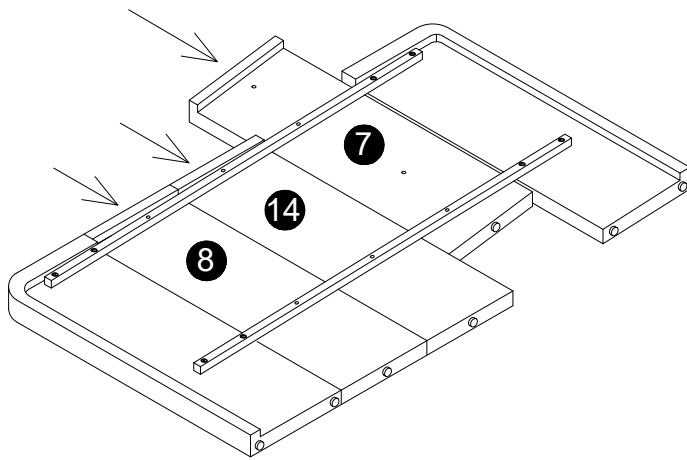
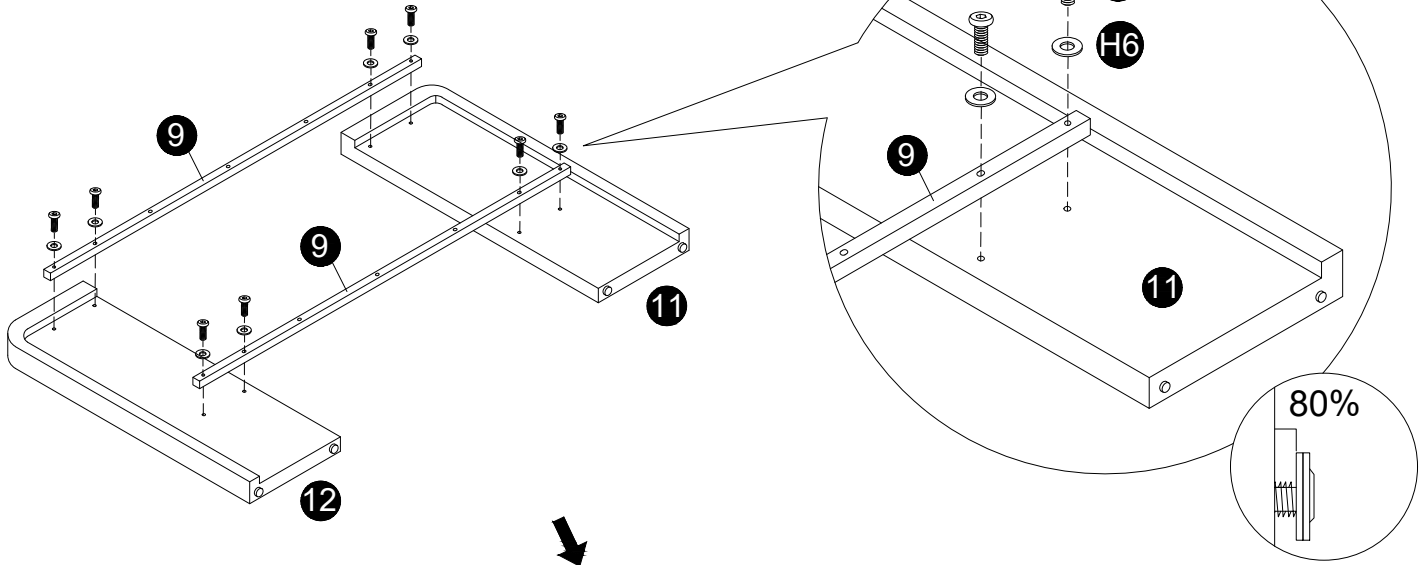
2 x 1pc 	3 x 2pcs 	6-1 x 1pc 	6-2 x 1pc 
9 x 2pcs 			

HARDWARE LIST

 H1 M5 x 1pc	 H2 M8x25mm x 22pcs	 H3 M8x40mm x 8pcs	 H4 M8x50mm x 14pcs
 H5 M8 x 18pcs	 H6 M8x22mm x 32pcs	 H8 x 6pcs	 H9 x 6pcs

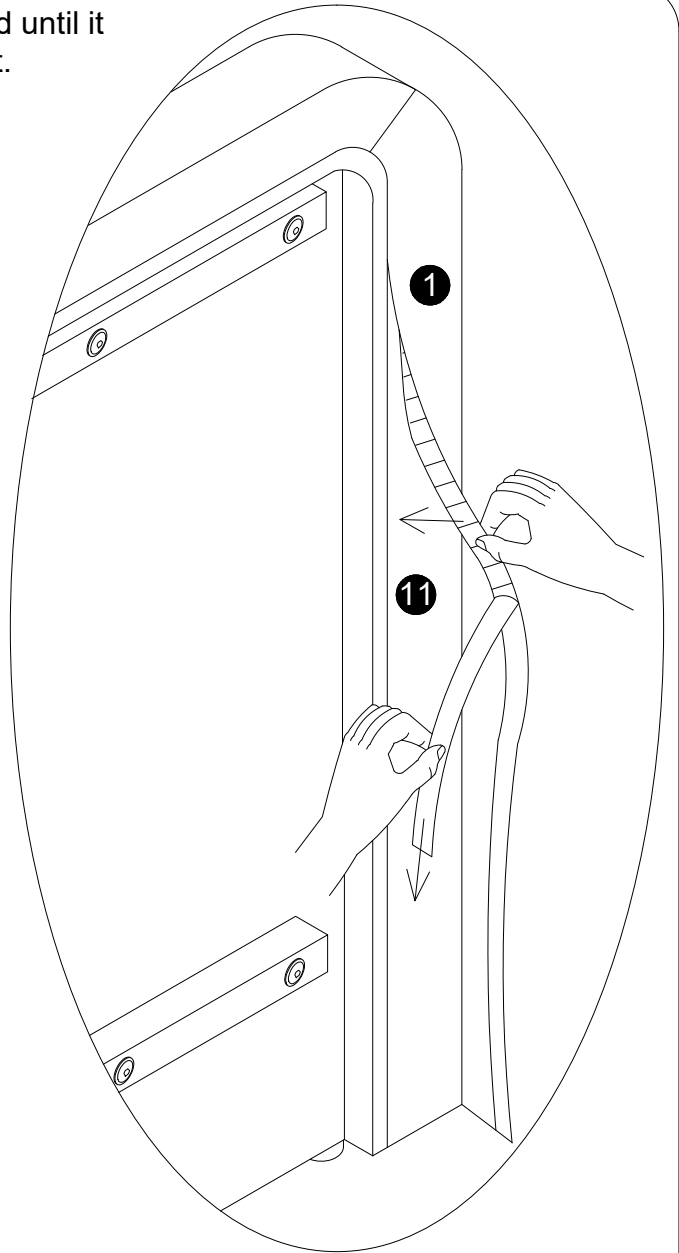
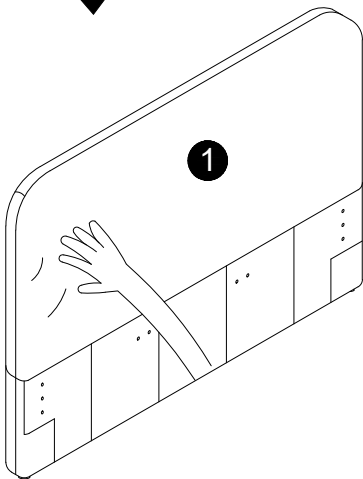
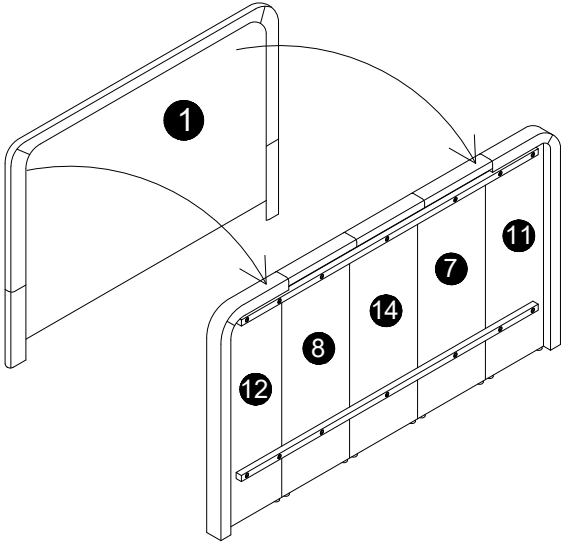
Please ensure to thoroughly inspect the small inner cardboard box containing the hardware, which are tied with a red string, before disposing of the box.

- 1** Loosely screw parts 11, 12, and 9 together to facilitate inserting part 7, 8, and 14 between 11 and 12. Tightening the screws too much will make it difficult to insert part 7, 8, and 14.



After securing "part 7, part 8 and part 14" components onto "part 9", proceed to tighten parts 11 and 12.

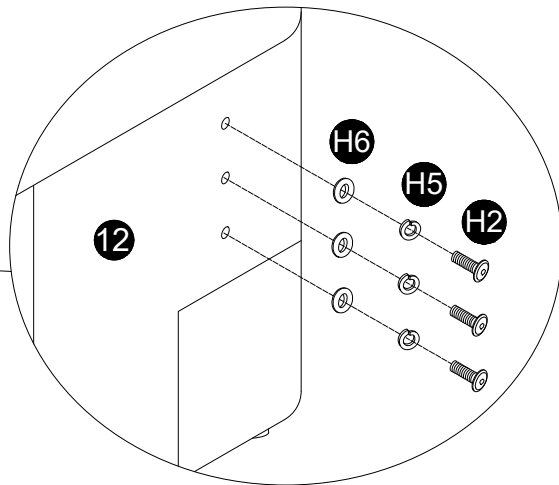
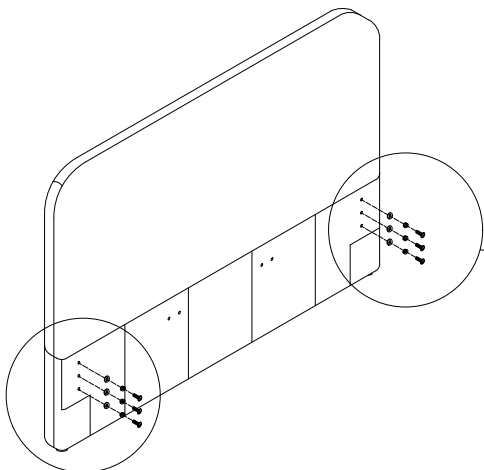
2 Slide the fabric cover (Part 1) over the headboard until it reaches the bottom, ensuring a full and secure fit.



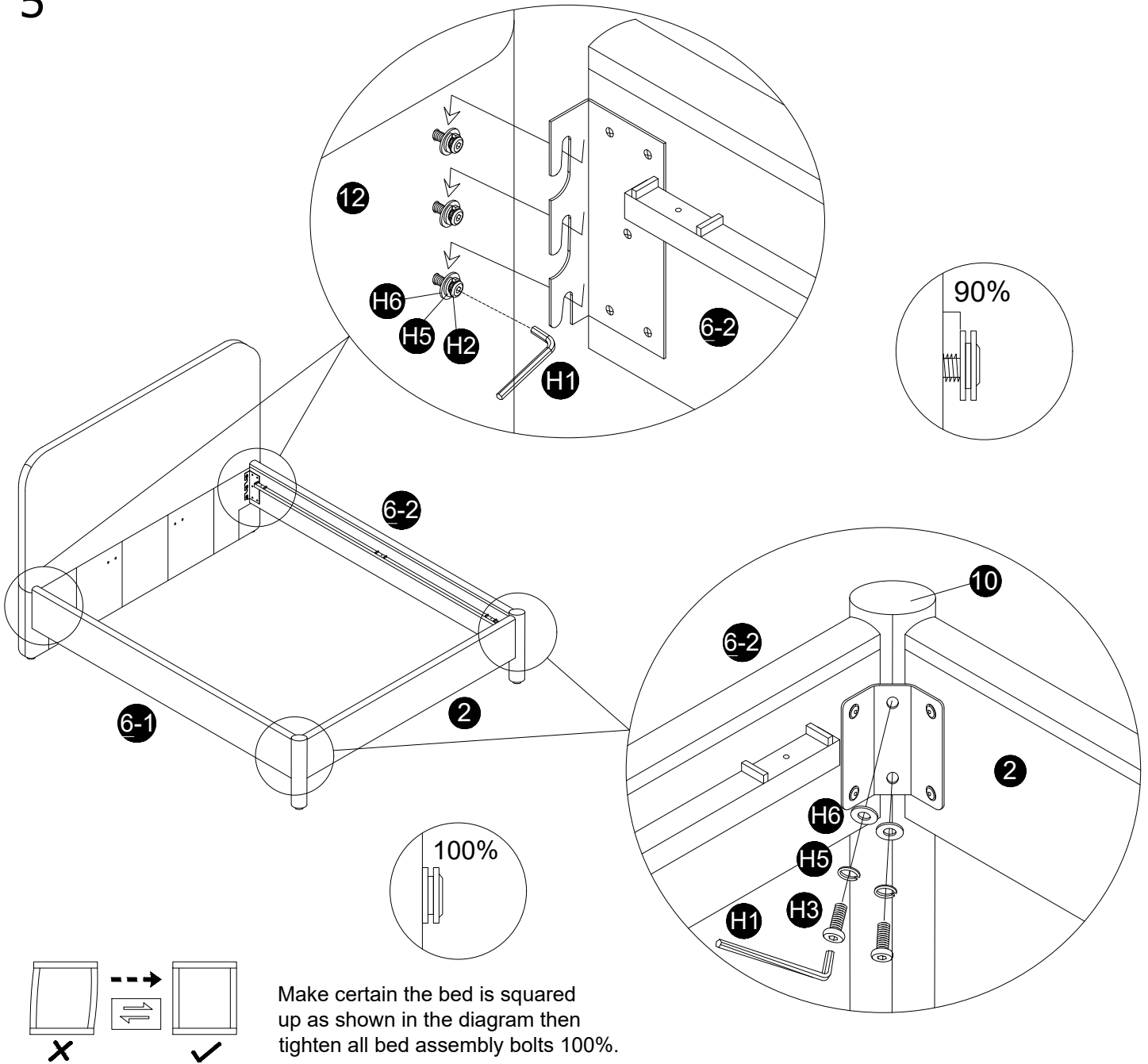
Smooth out any uneven areas or wrinkles by hand for a neat appearance.

At the back of the Part 1, peel away the fabric strip covering the Velcro while pressing the Velcro firmly onto the headboard.

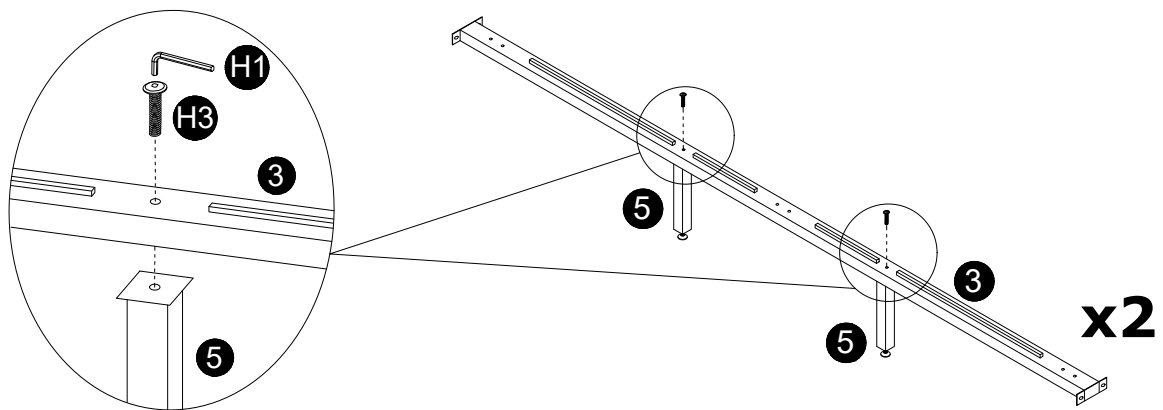
3



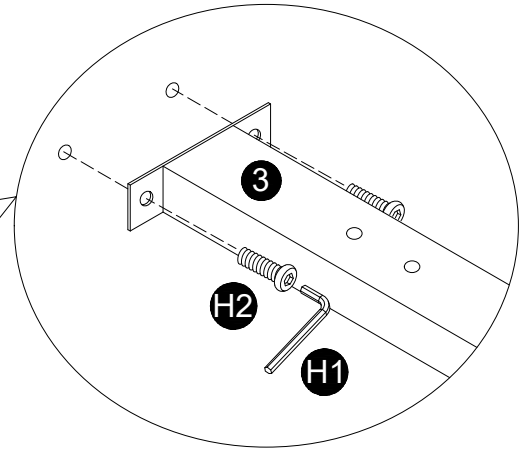
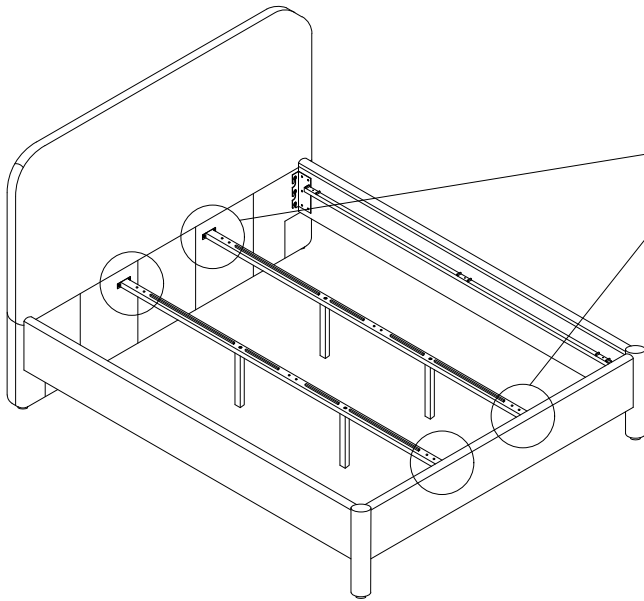
5



6



7



8

