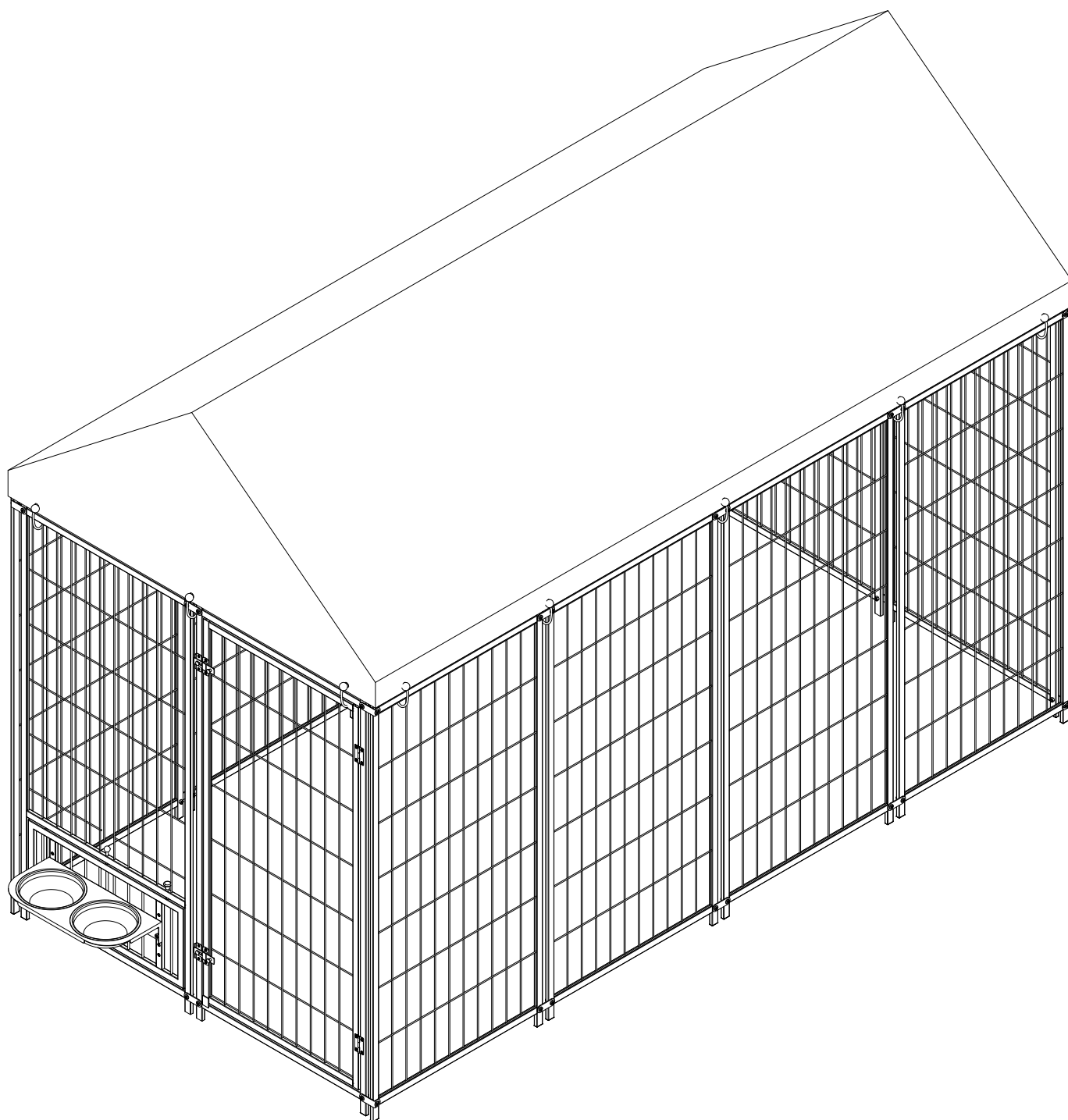
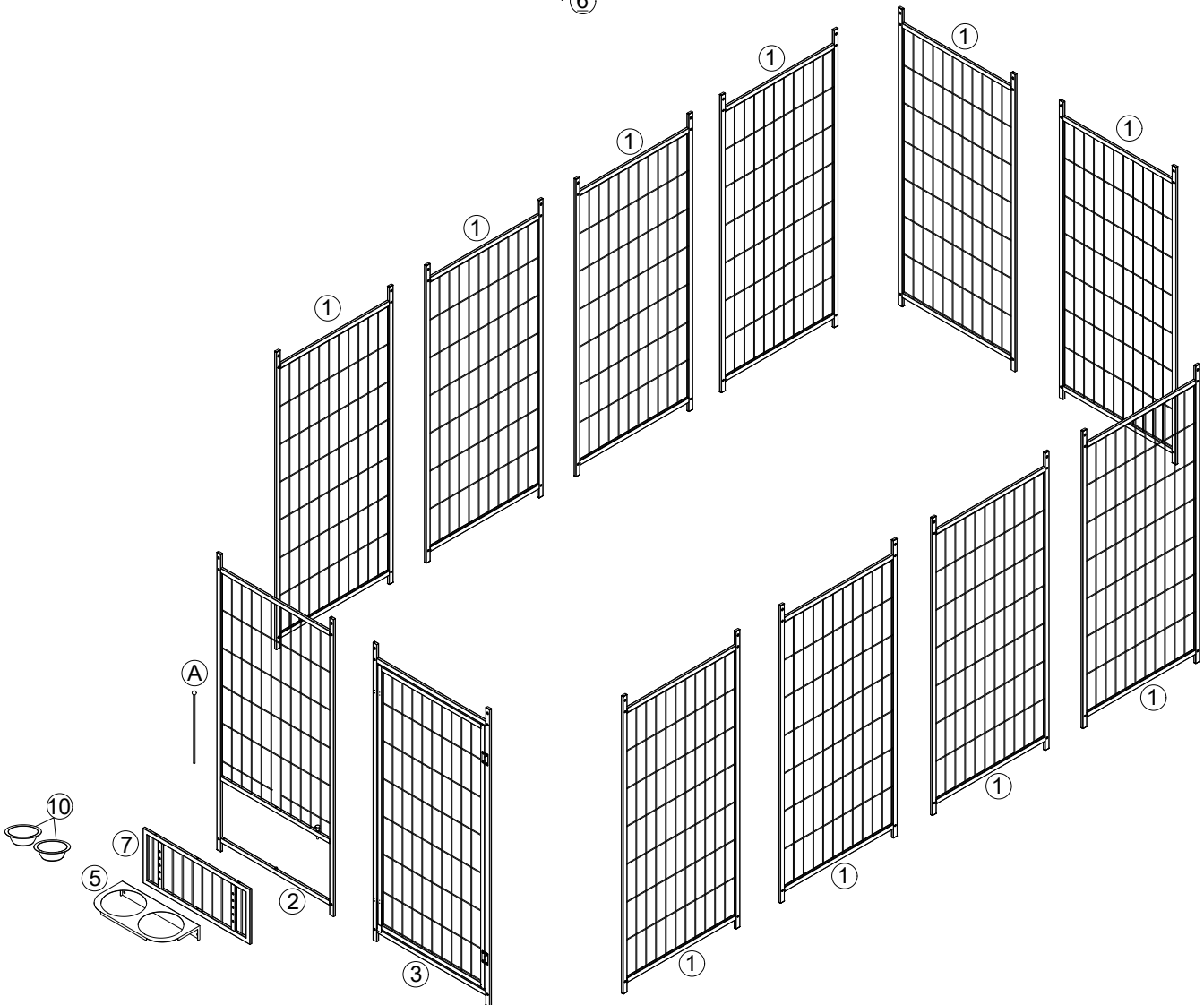
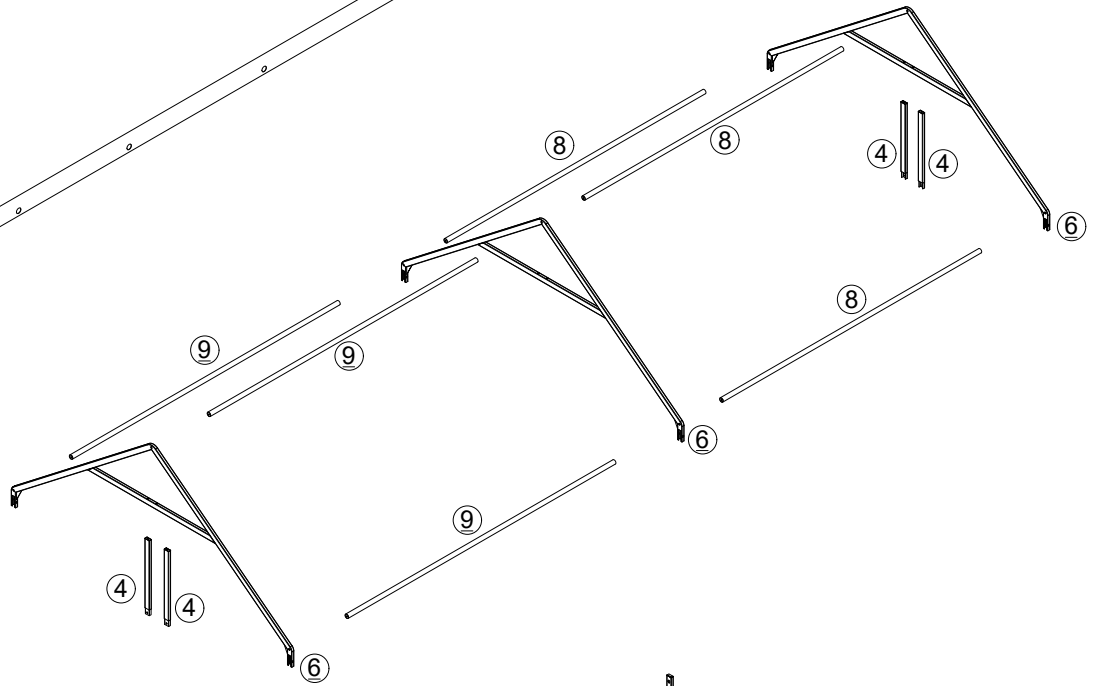
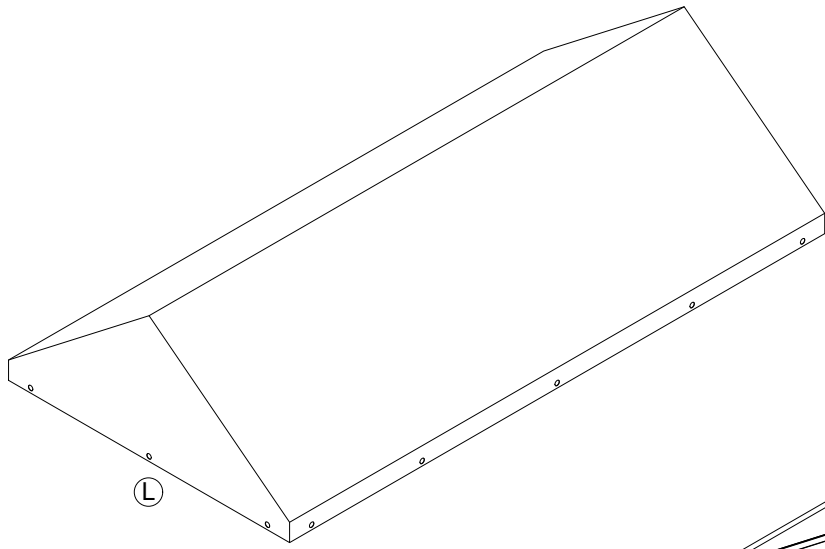


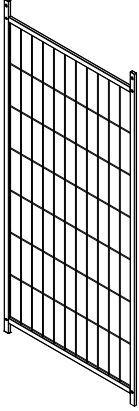
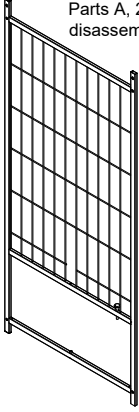
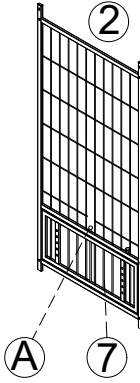
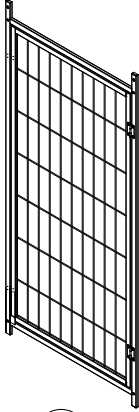

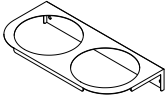
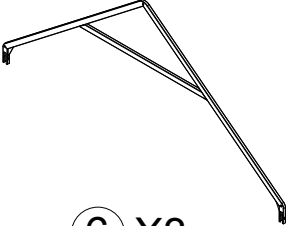
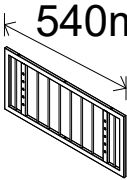
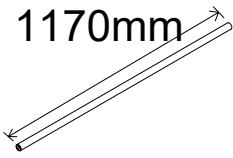
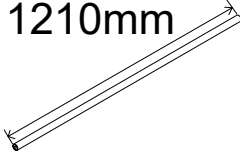

Assembly Instruction

DGC132


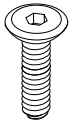
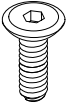

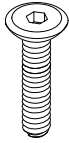


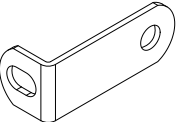
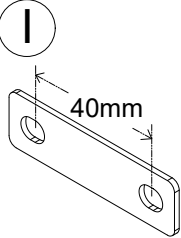



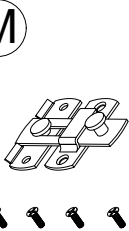
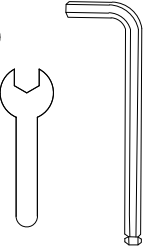




Part list

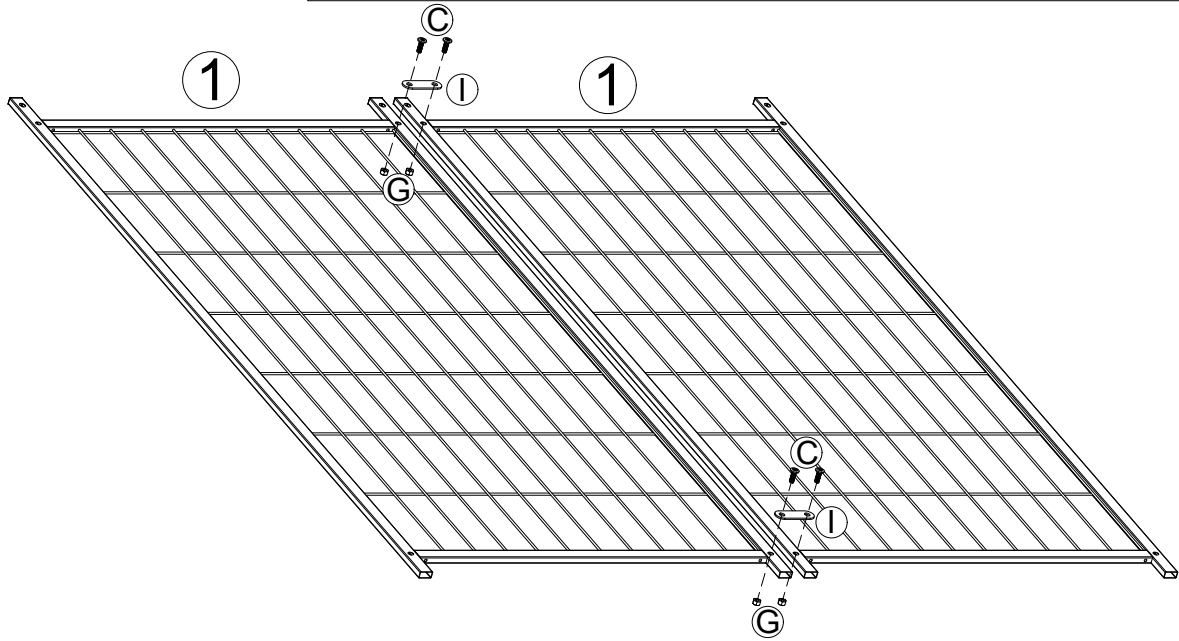
 <p>① X10</p>	<p>Parts A, 2, and 7 have been pre installed. Please disassemble and follow the steps to begin assembly</p>  <p>② X1</p>  <p>⑦ X1</p>	 <p>③ X1</p>	
 <p>301.5mm</p> <p>④ X4</p>	 <p>⑤ X1</p>	 <p>⑥ X3</p>	
 <p>540mm</p> <p>⑦ X1</p>	 <p>1170mm</p> <p>Short pipe</p> <p>⑧ X3</p>	 <p>1210mm</p> <p>Long tube</p> <p>⑨ X3</p>	 <p>⑩ X2</p>

Hardware list

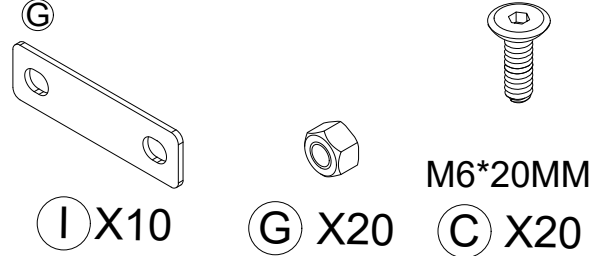
<p>① A</p> 	<p>② B</p>  <p>M6*30MM</p>	<p>③ C</p>  <p>M6*20MM</p>	<p>④ D</p>  <p>M6*12MM</p>	<p>⑤ E</p>  <p>M6*40MM</p>	<p>⑥ F</p>  <p>M6*20MM/20MM</p>	<p>⑦ G</p> 
<p>1pcs</p>	<p>12pcs (Extra 1)</p>	<p>52pcs (Extra 3)</p>	<p>4pcs (Extra 1)</p>	<p>4pcs (Extra 1)</p>	<p>3pcs (Extra 1)</p>	<p>58pcs (Extra 3)</p>
<p>⑧ H</p> 	<p>⑨ I</p>  <p>40mm</p>	<p>⑩ J</p> 	<p>⑪ K</p> 	<p>⑫ L</p> 	<p>⑬ M</p> 	<p>⑭ N</p> 
<p>8pcs (Extra 1)</p>	<p>16pcs (Extra 1)</p>	<p>16pcs (Extra 1)</p>	<p>6pcs (Extra1)</p>	<p>1pcs</p>	<p>2PCS</p>	<p>1PCS</p>

1

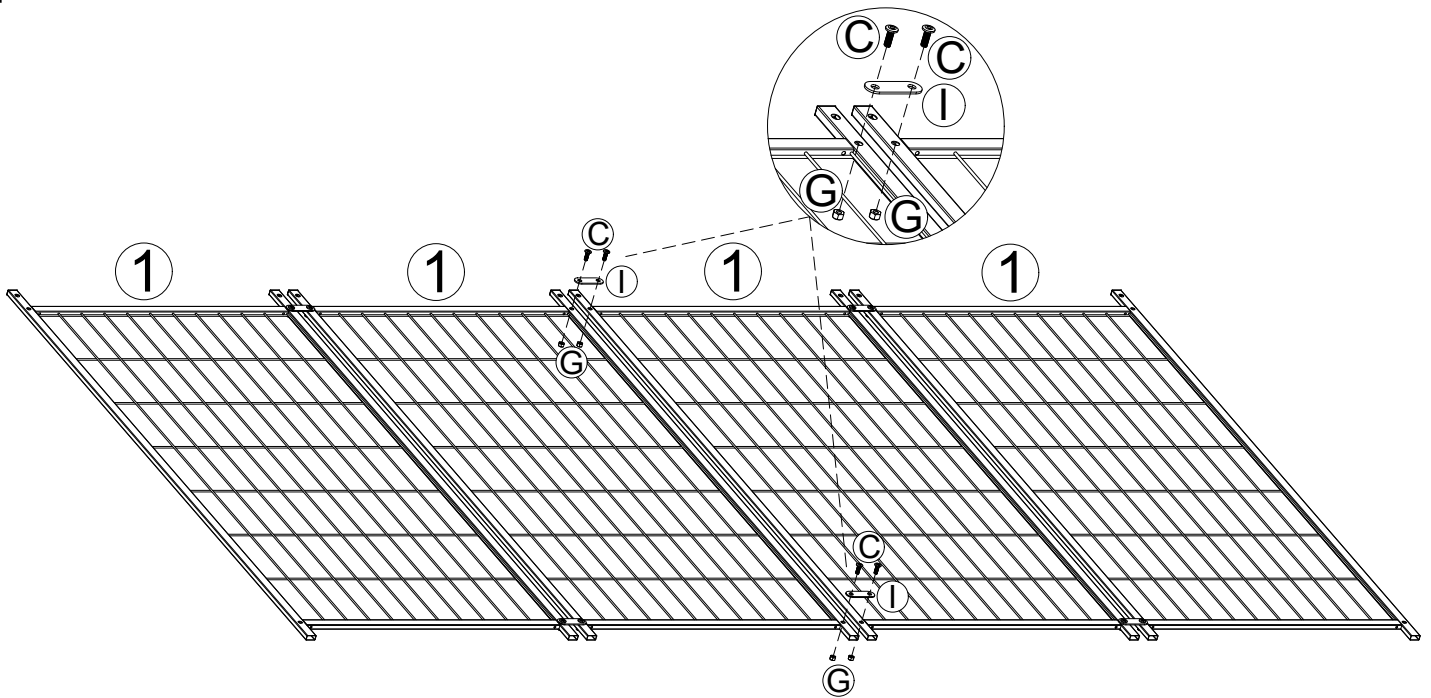
To maintain aesthetics, pay attention to keeping the horizontal and vertical iron wires consistent on both sides during assembly



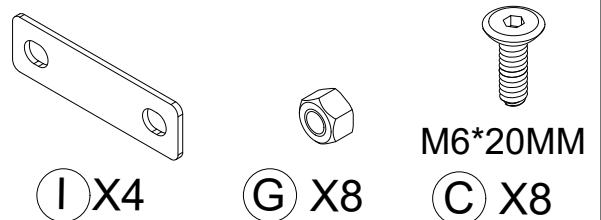
Combination 1 X5



2 Combine four sets of combination 1 into two sets of combination 2

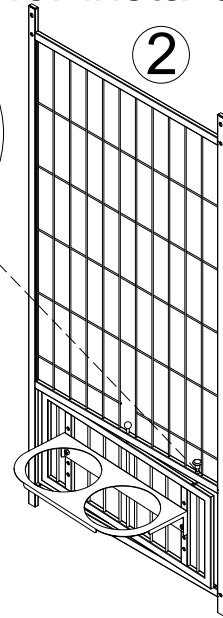
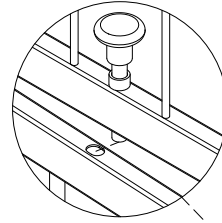
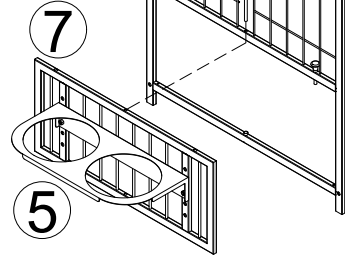
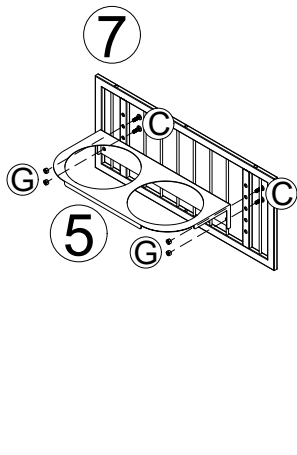


Combination 2 X2

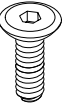


3

Pulling and lifting for installation



G X4



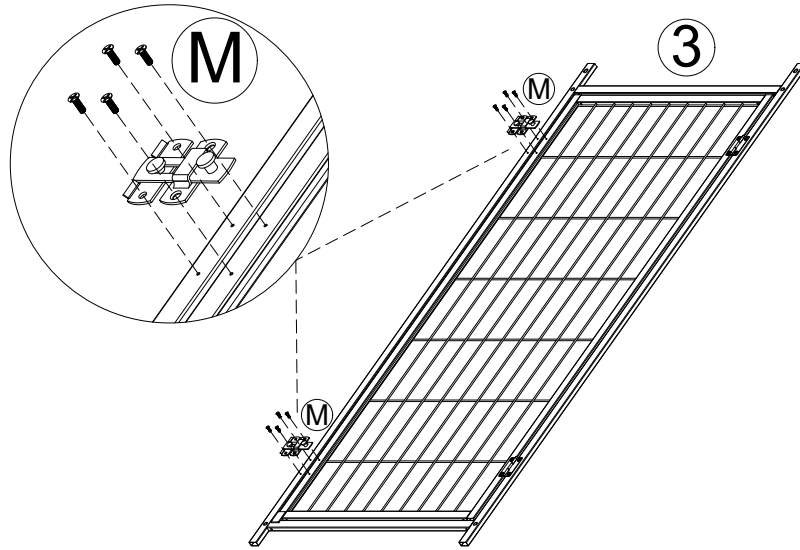
M6*20MM

C X4



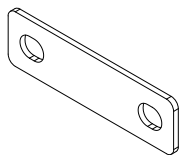
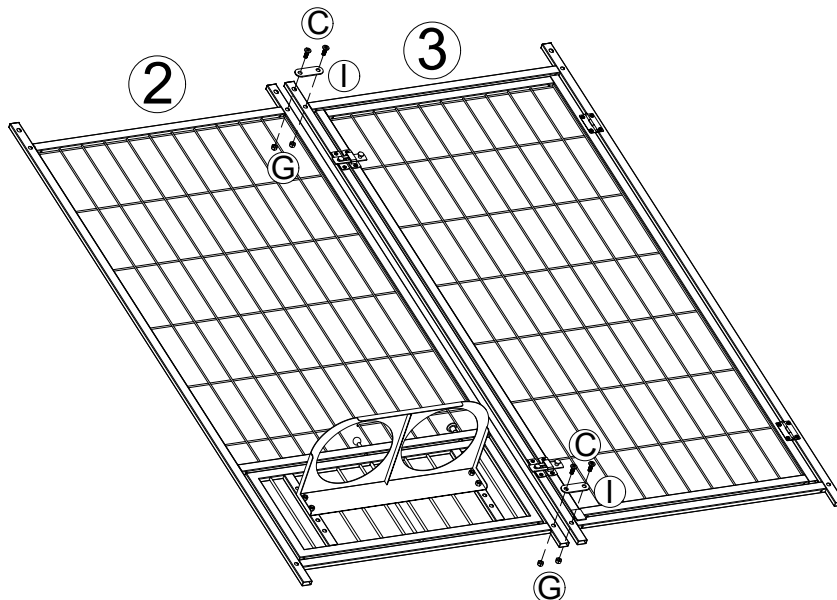
A X1

4



M X2

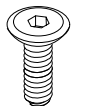
5



I X2



G X4

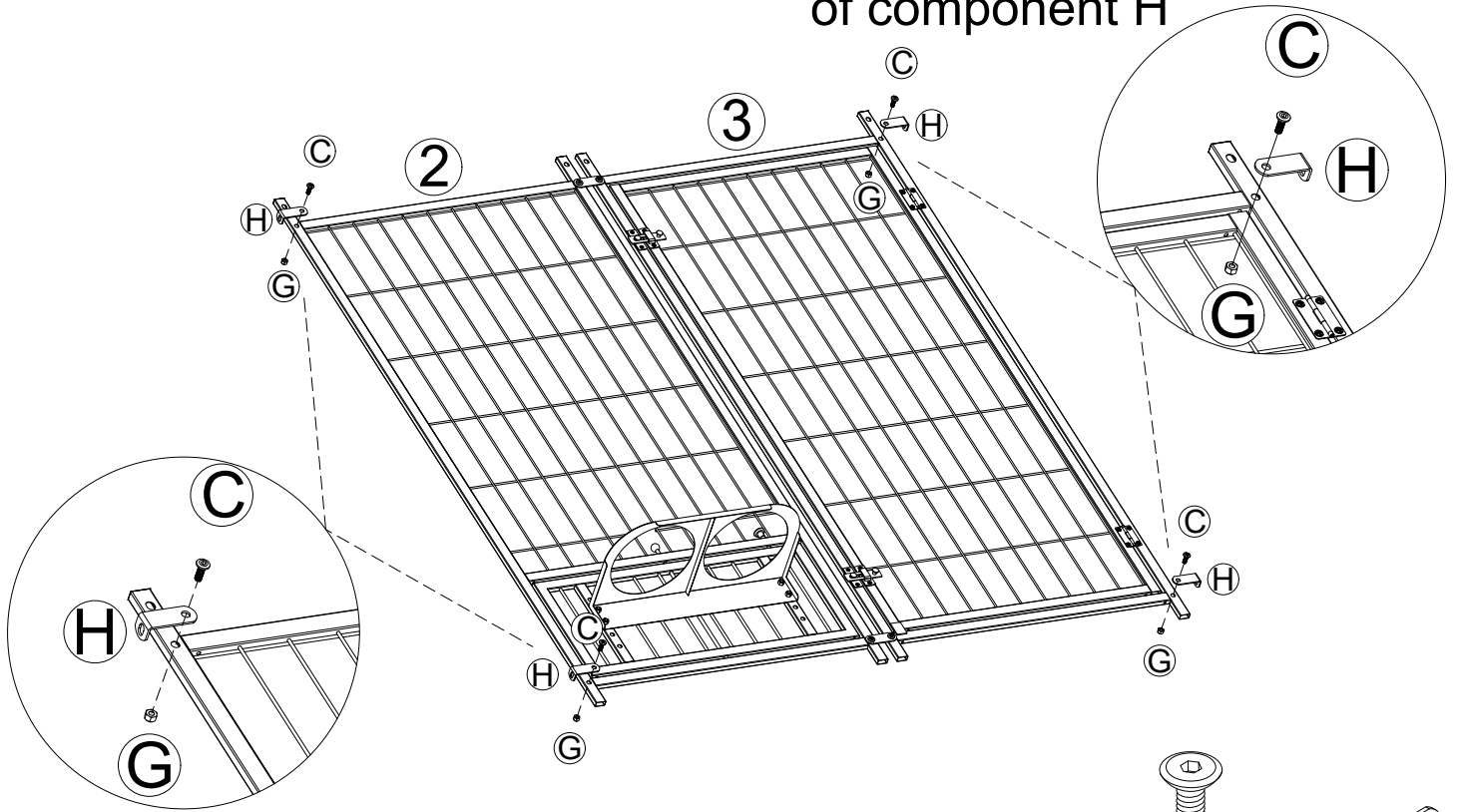


M6*20MM

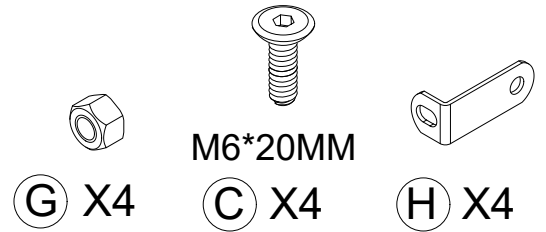
C X4

6

! Pay attention to the direction of component H

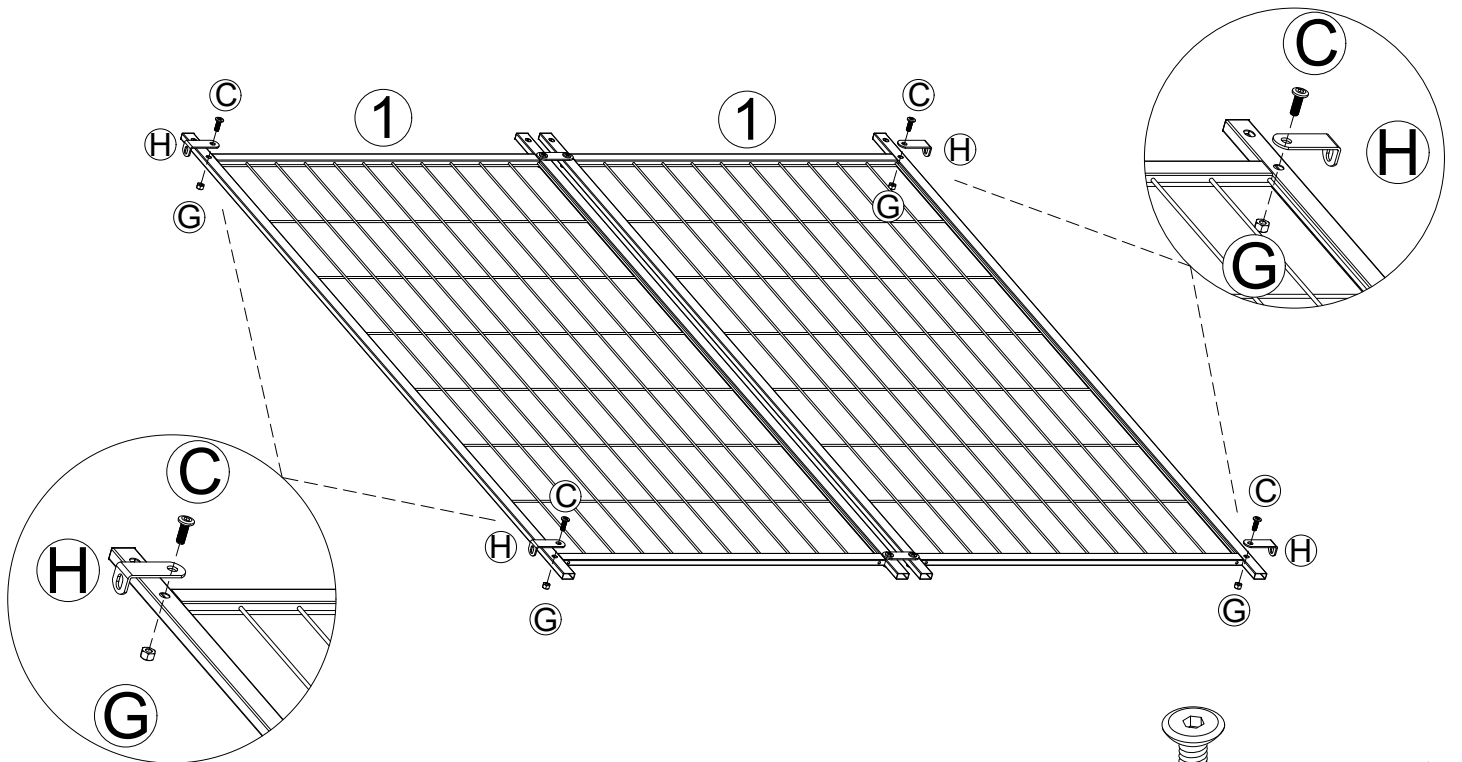


! Pay attention to the direction of component H

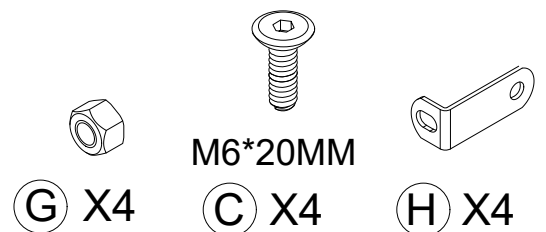


7 Install using combination 1

! Pay attention to the direction of component H

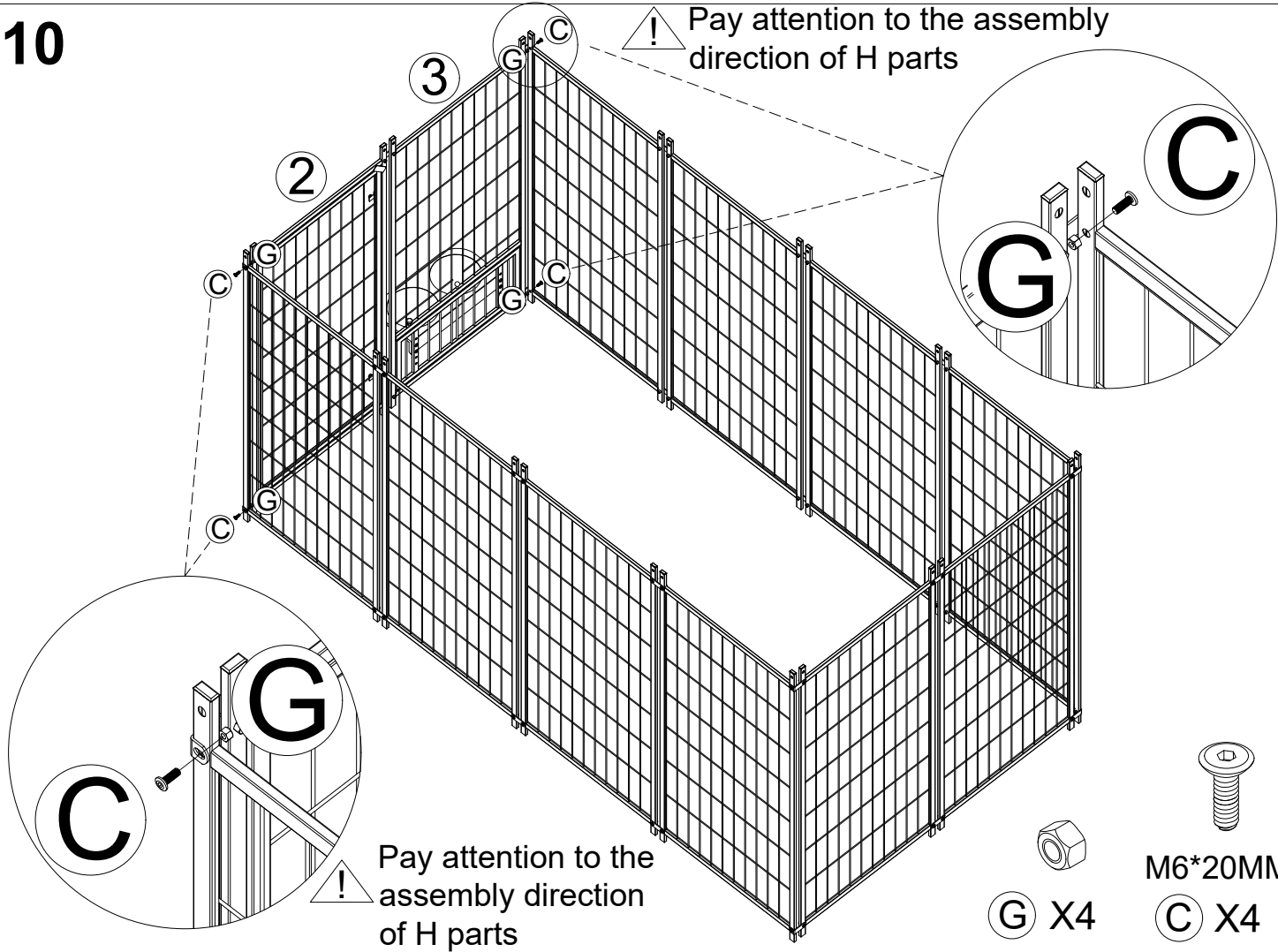


! Pay attention to the direction of component H



10

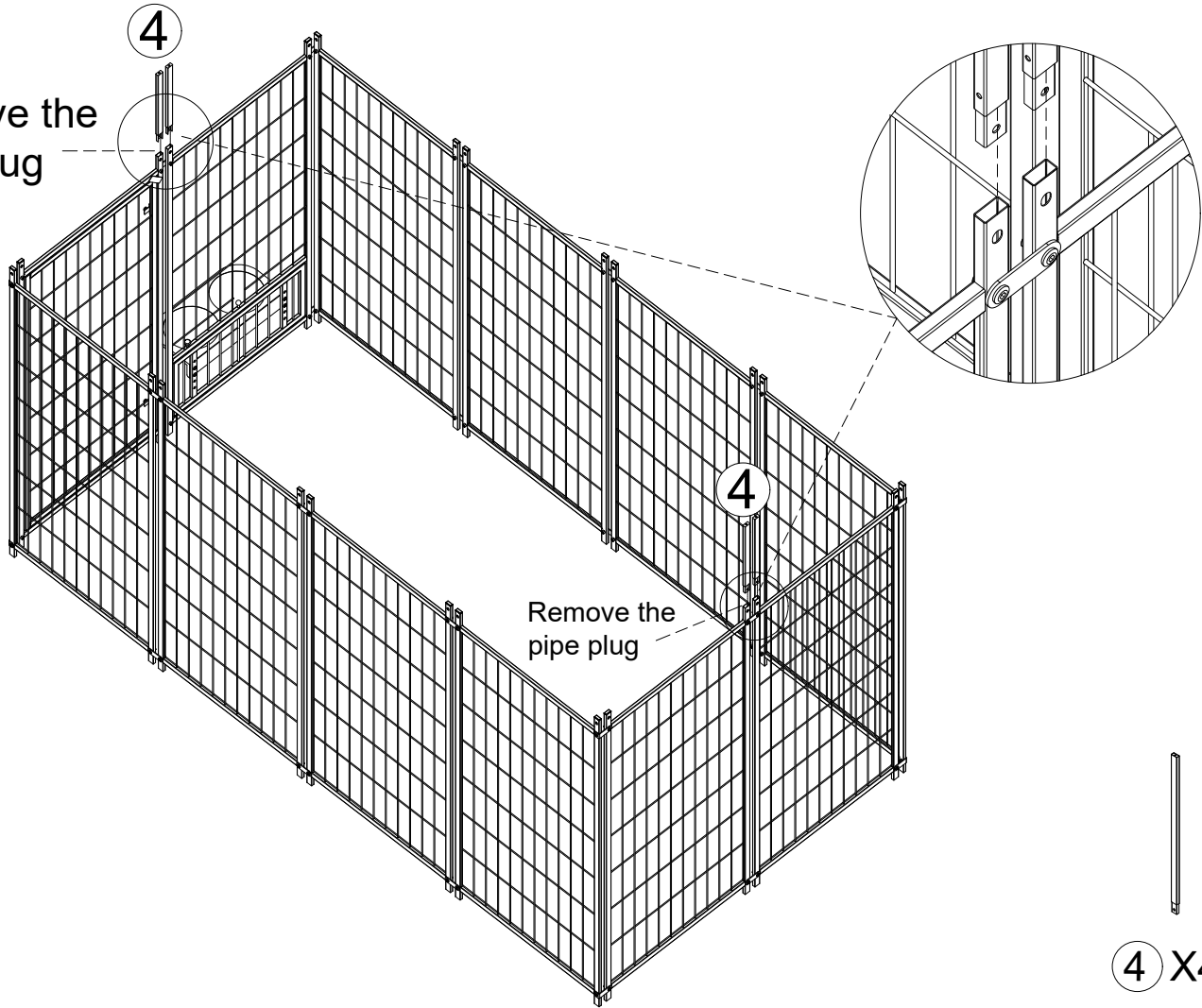
! Pay attention to the assembly direction of H parts



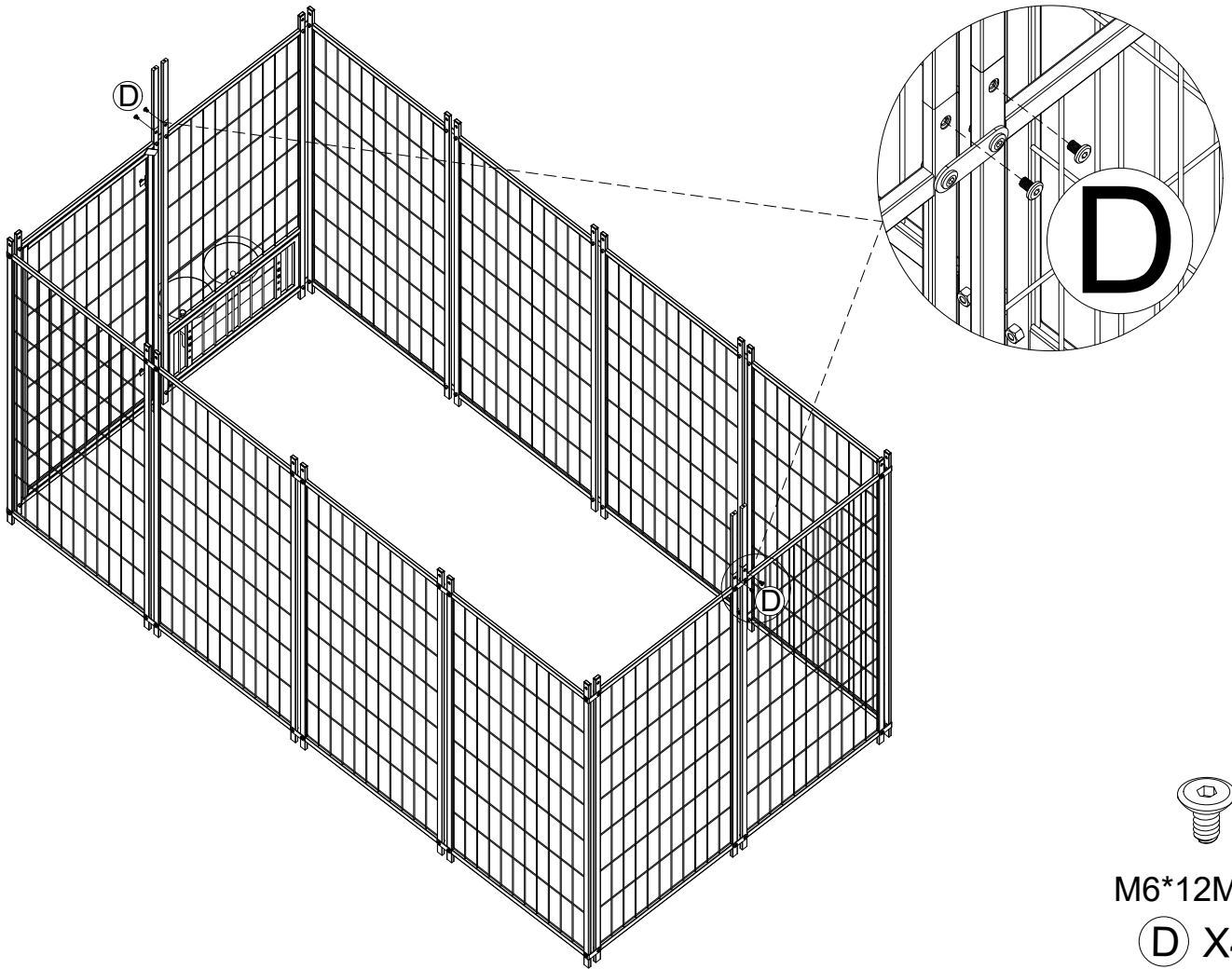
11

Remove the pipe plug

Remove the pipe plug




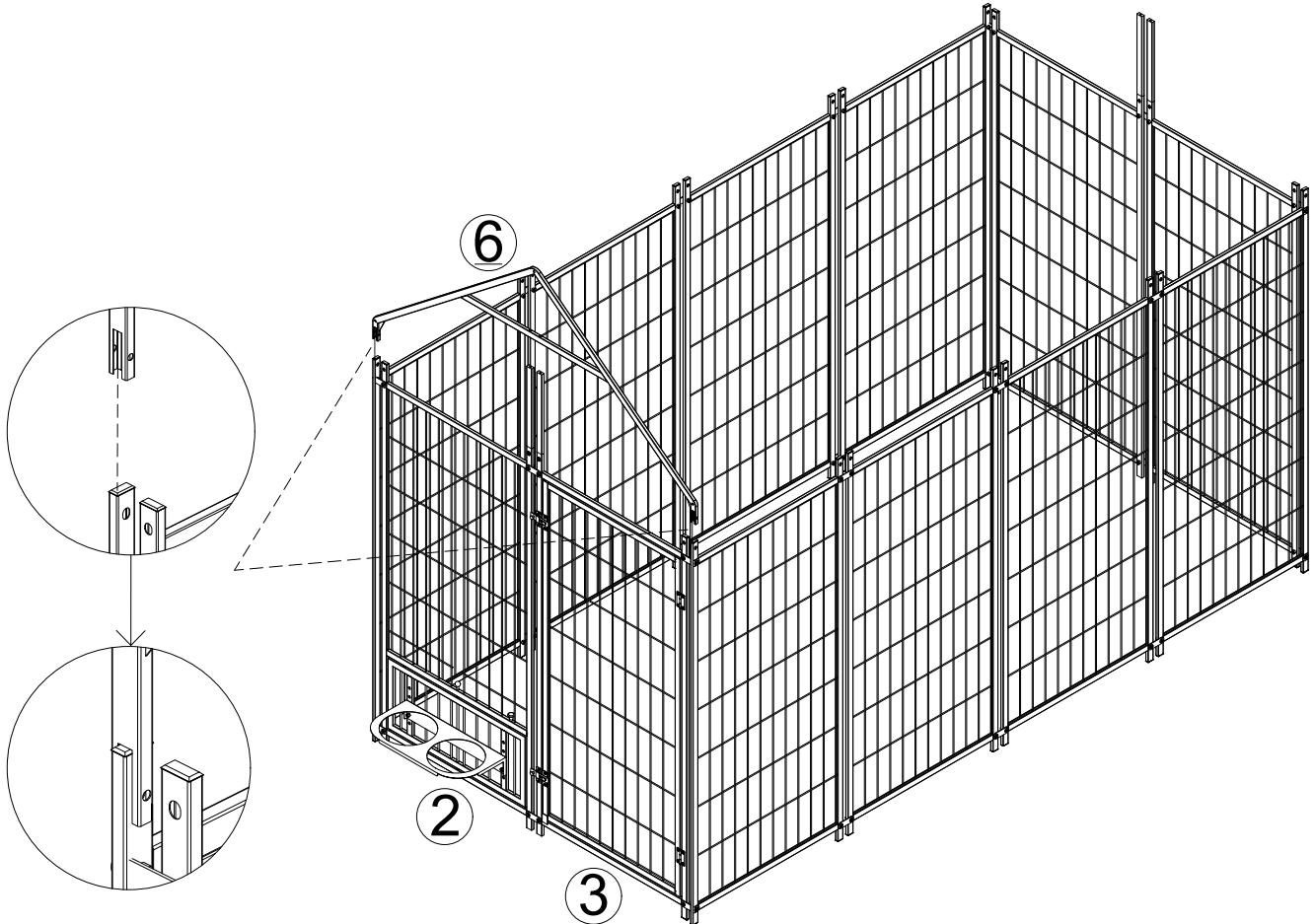
12



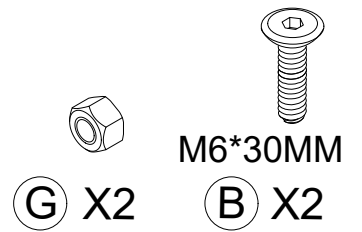
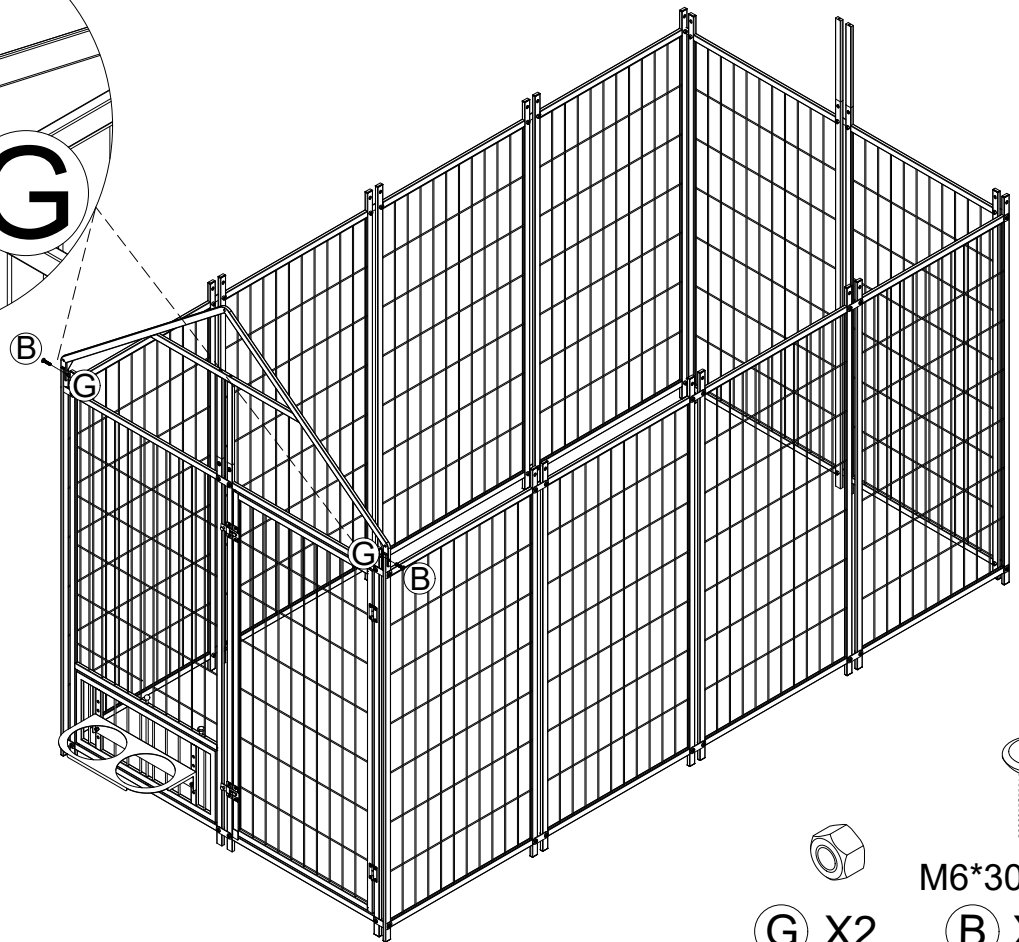
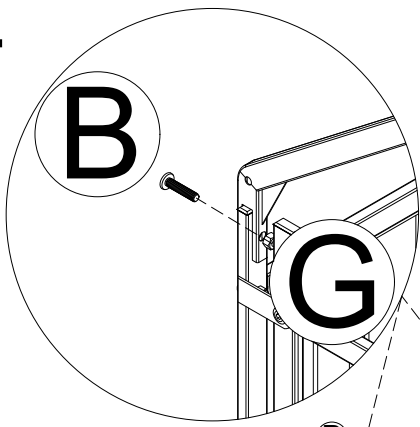
M6*12MM

Ⓚ X4

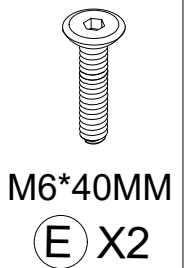
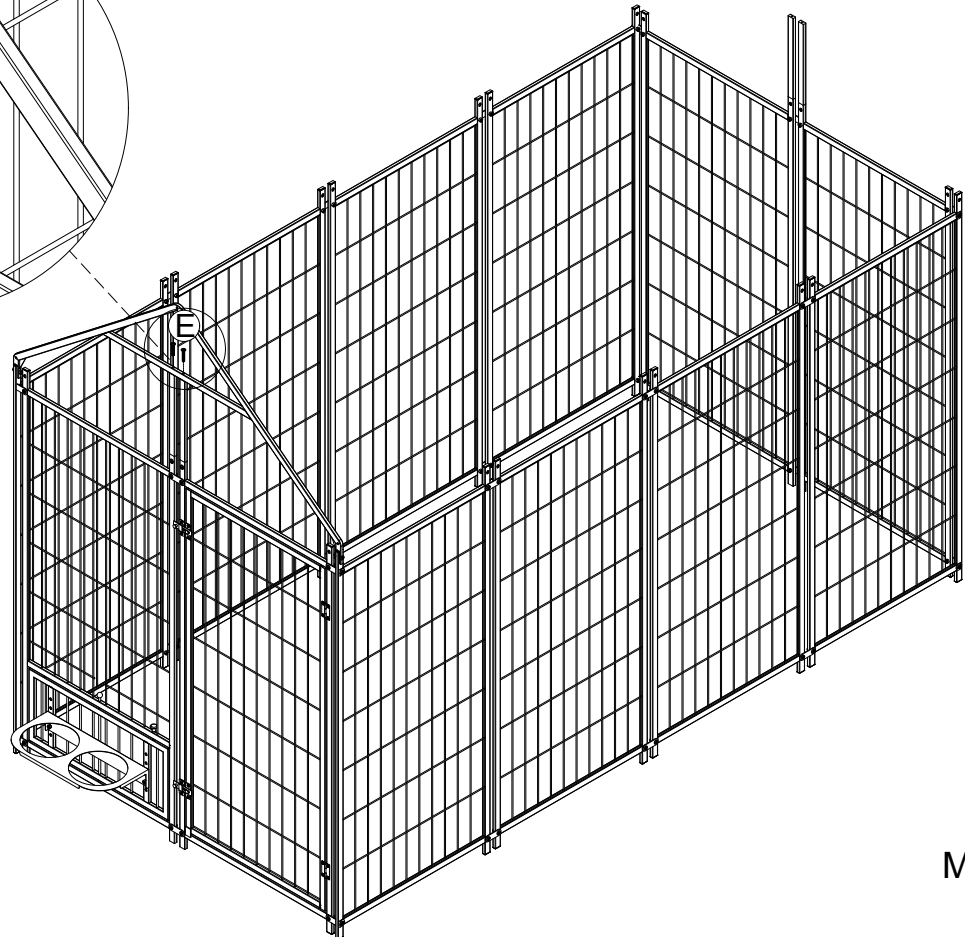
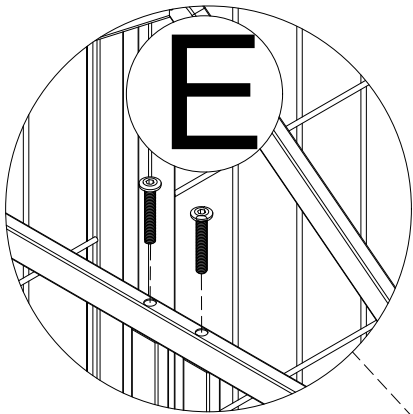
13  Rotate to the front for installation



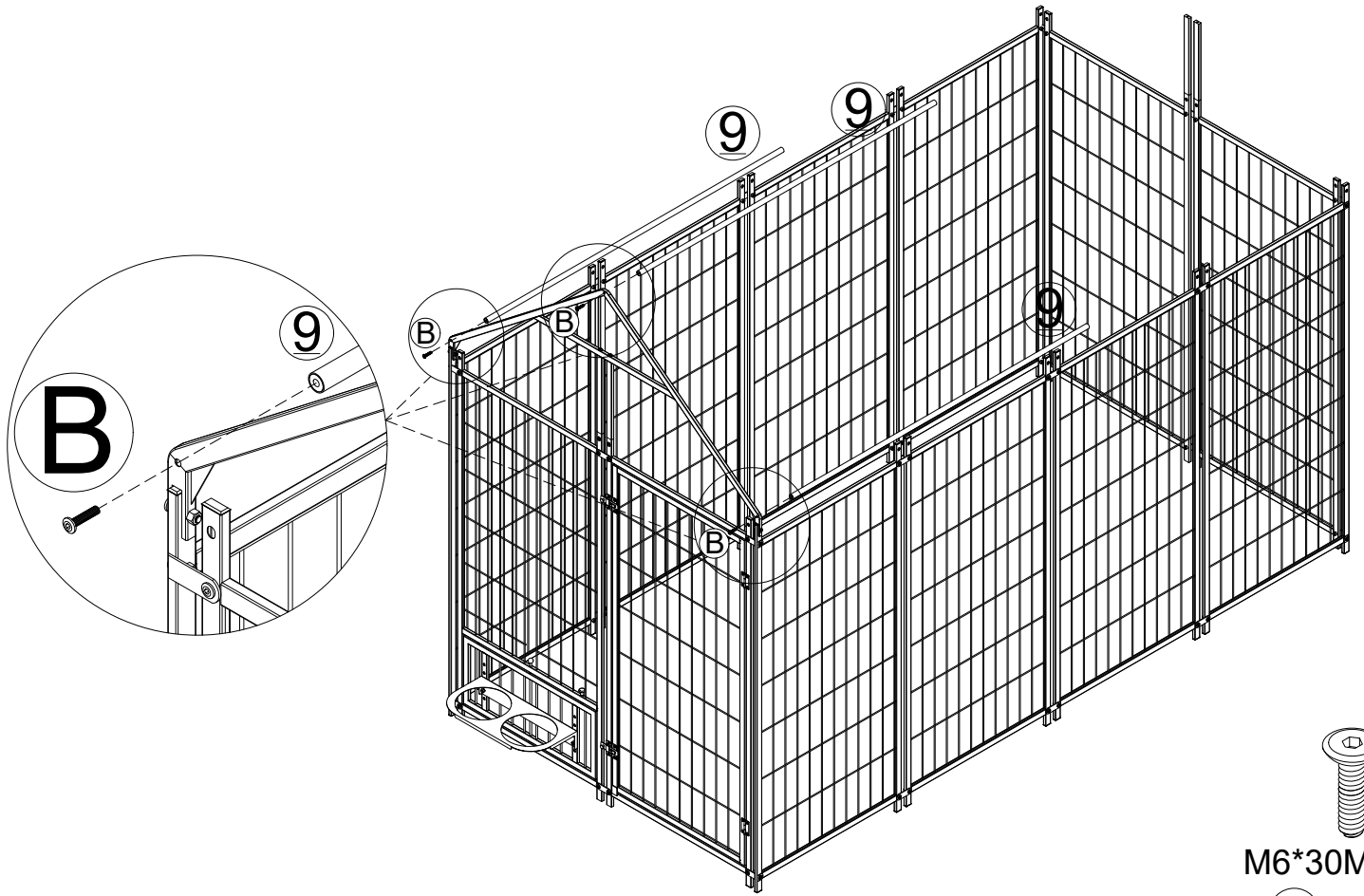
14



15

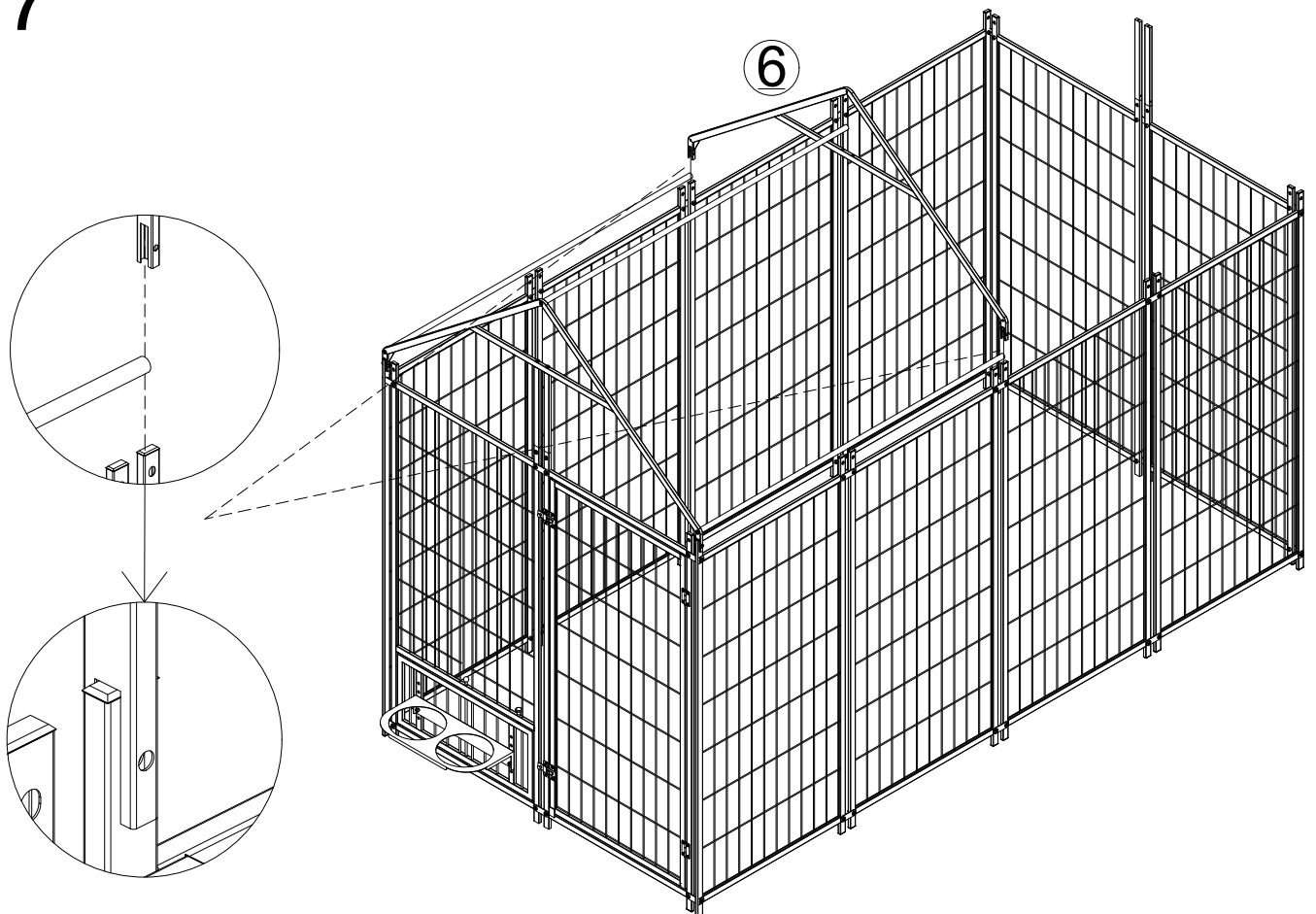


16

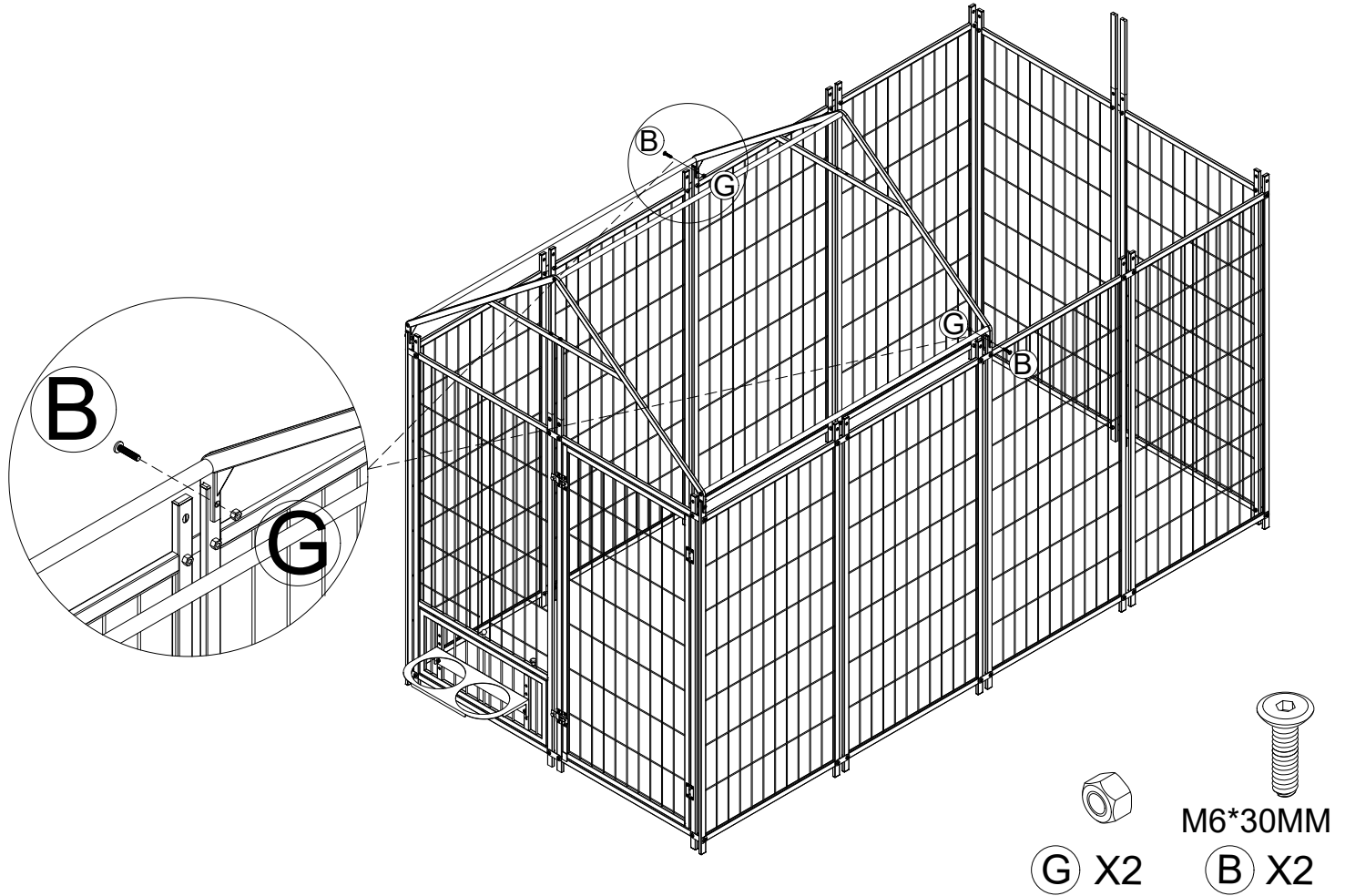


M6*30MM
B X3

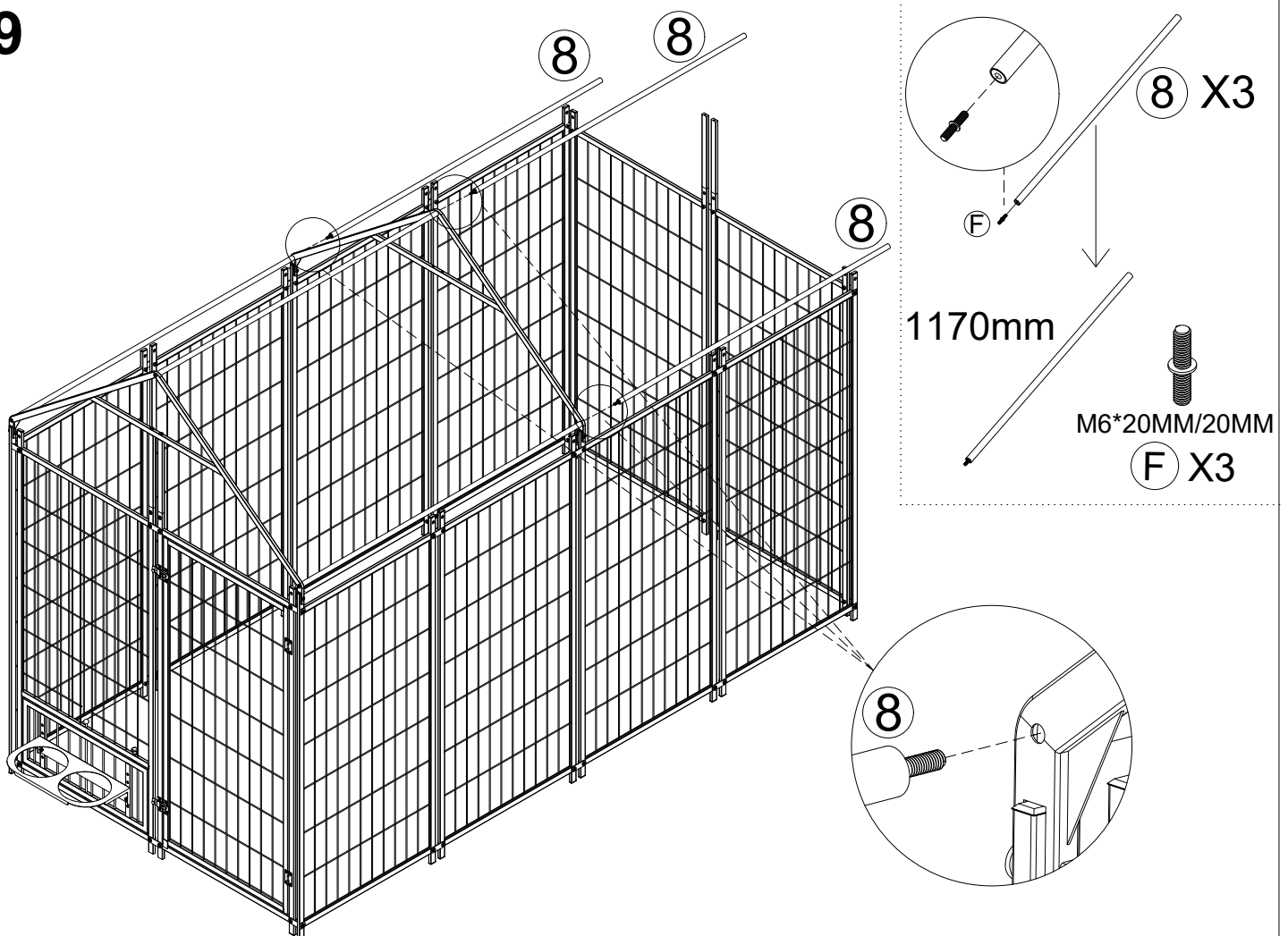
17



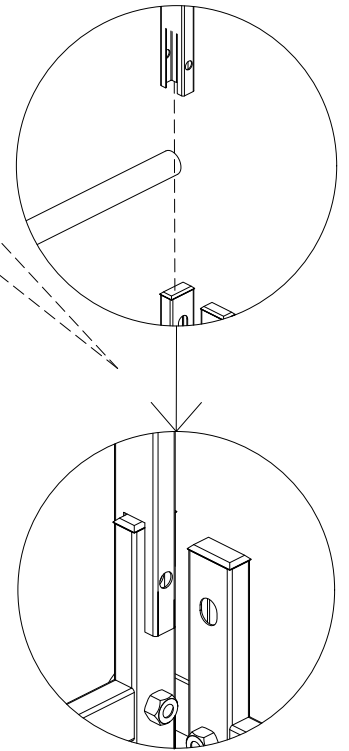
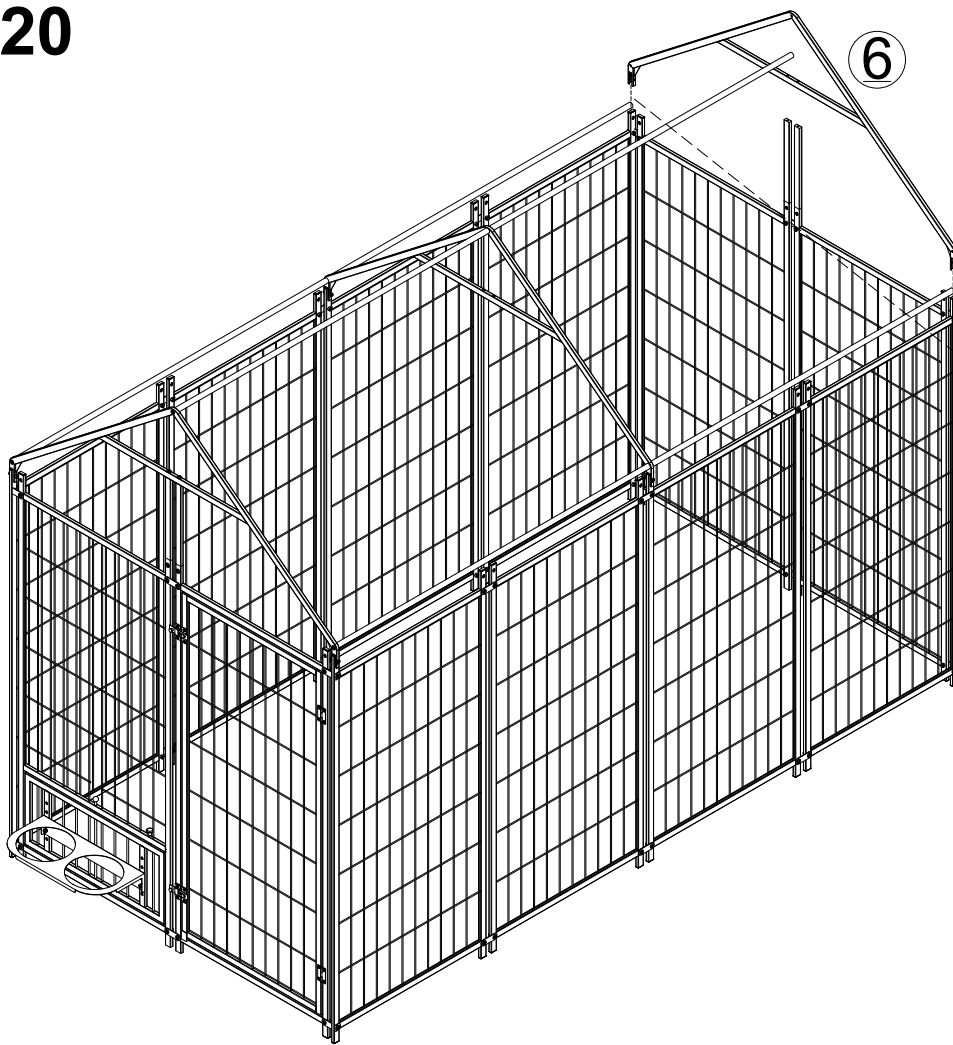
18



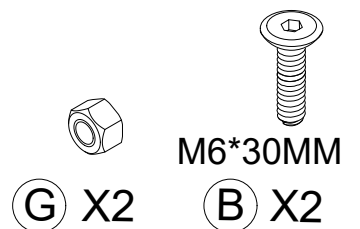
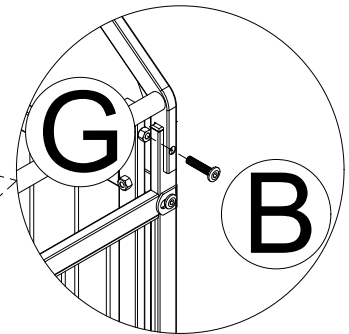
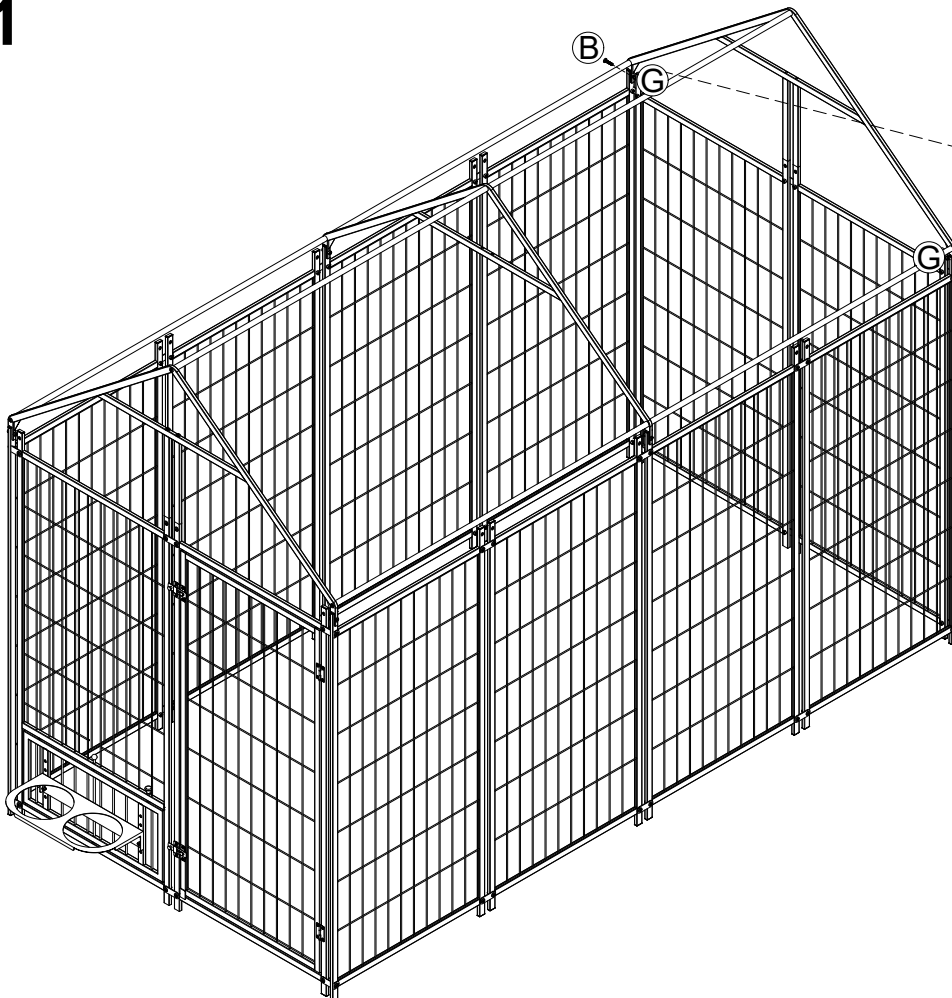
19



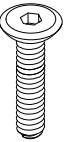
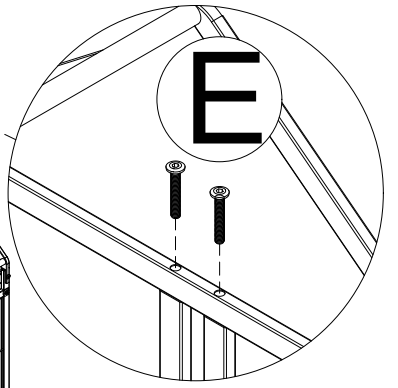
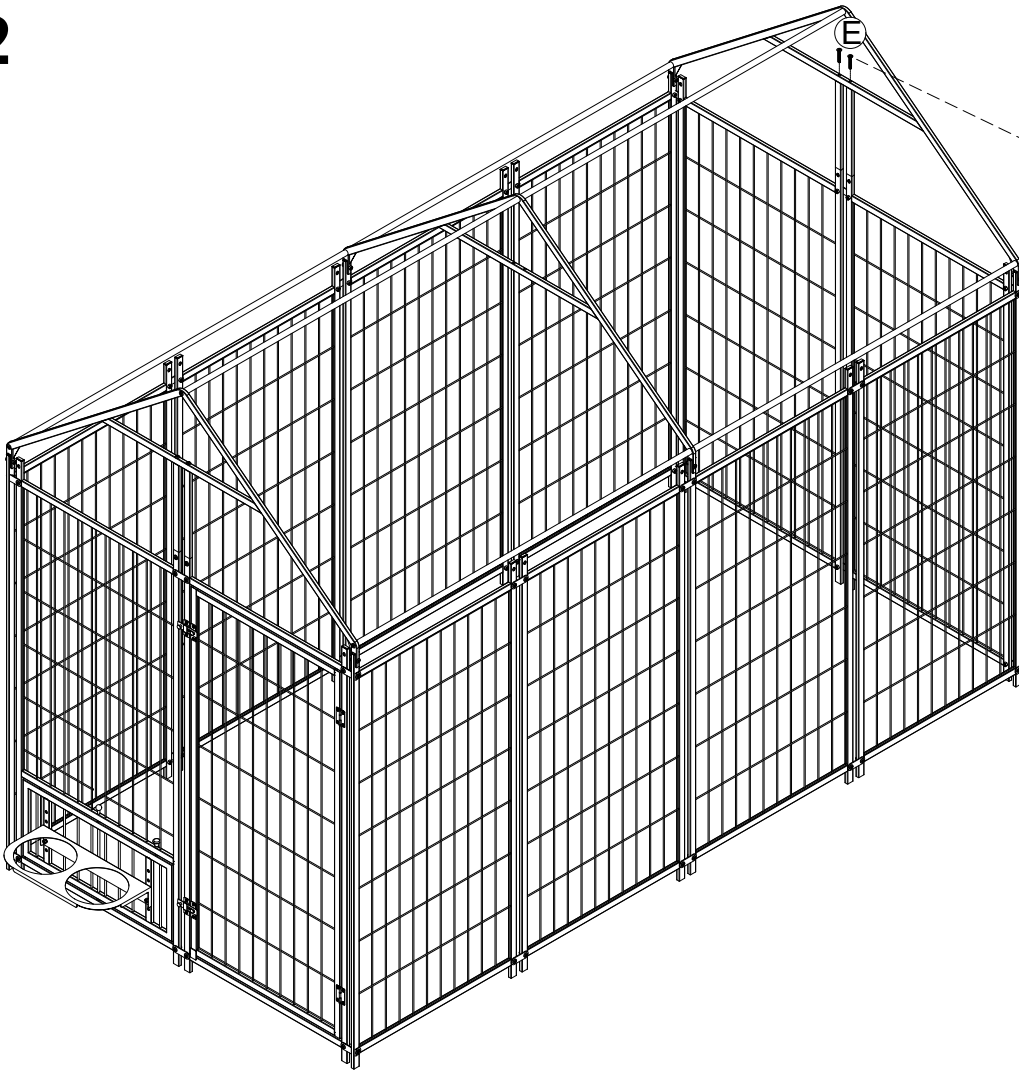
20



21



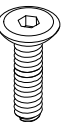
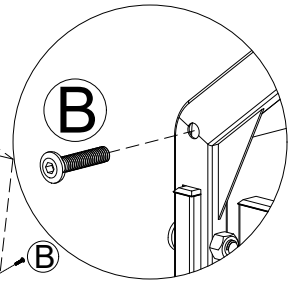
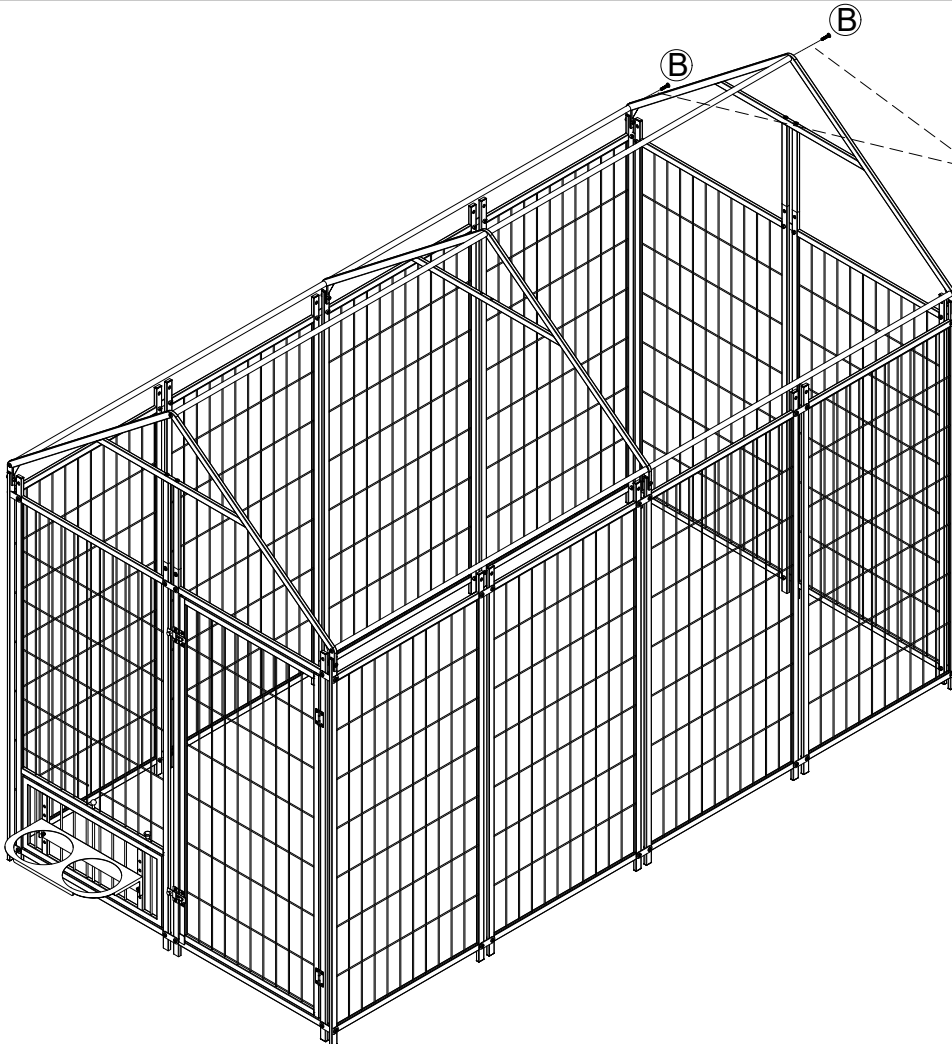
22



M6*40MM

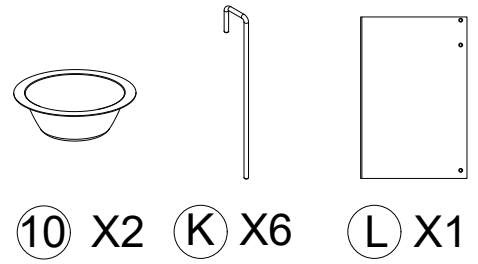
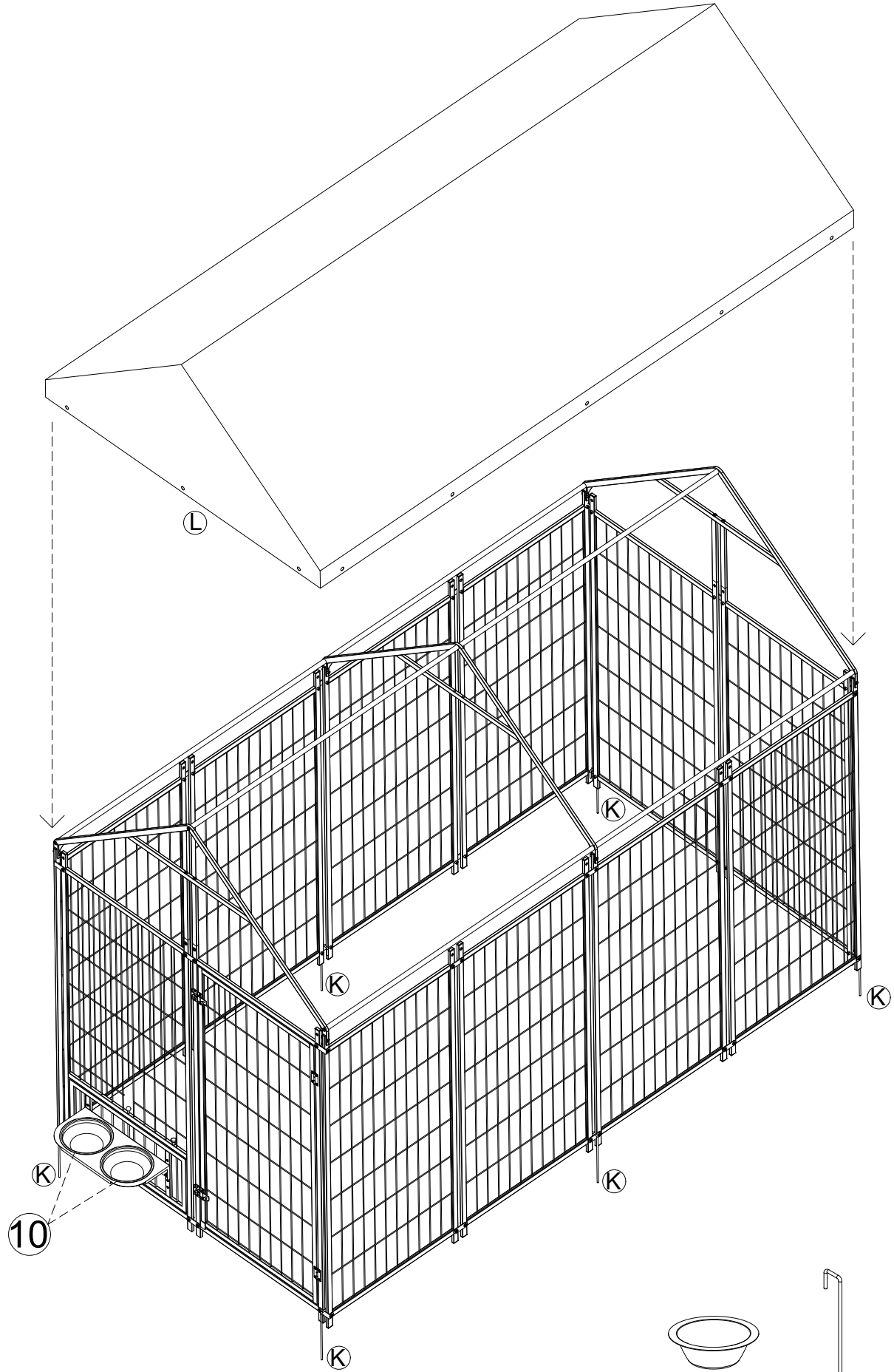
(E) X2

23



M6*30MM

(B) X3



There are also the same holes on the back and side for fastening objects

