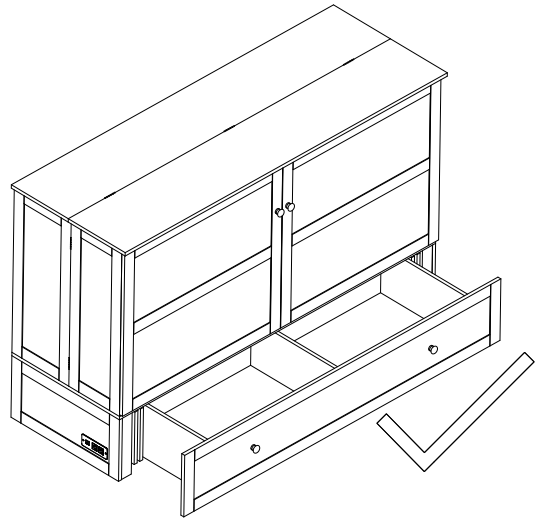
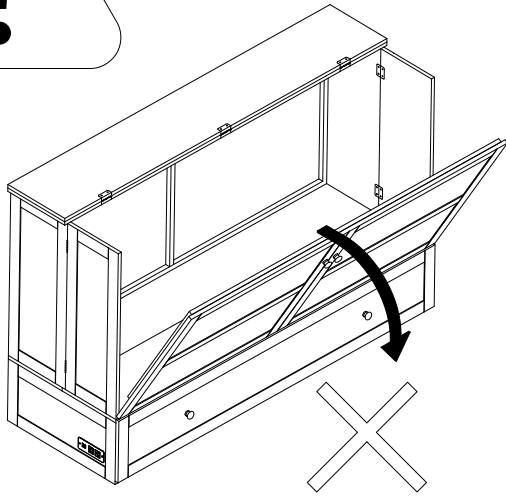
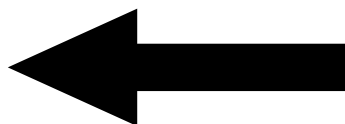
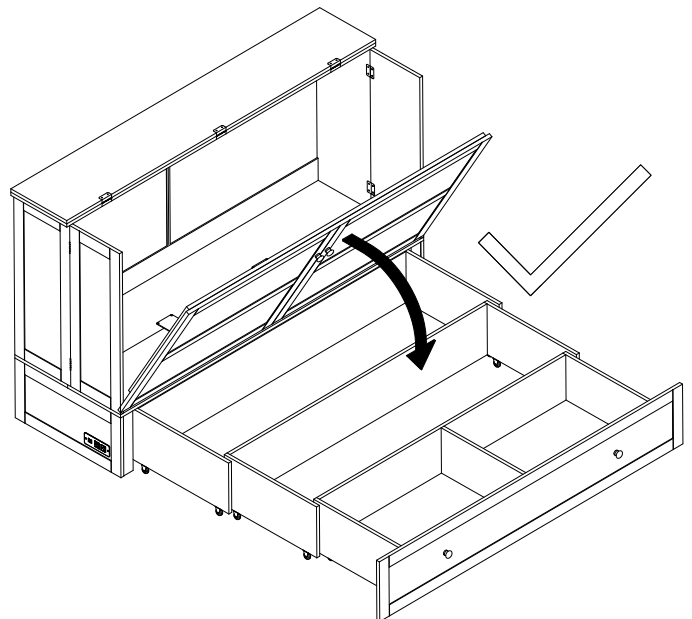
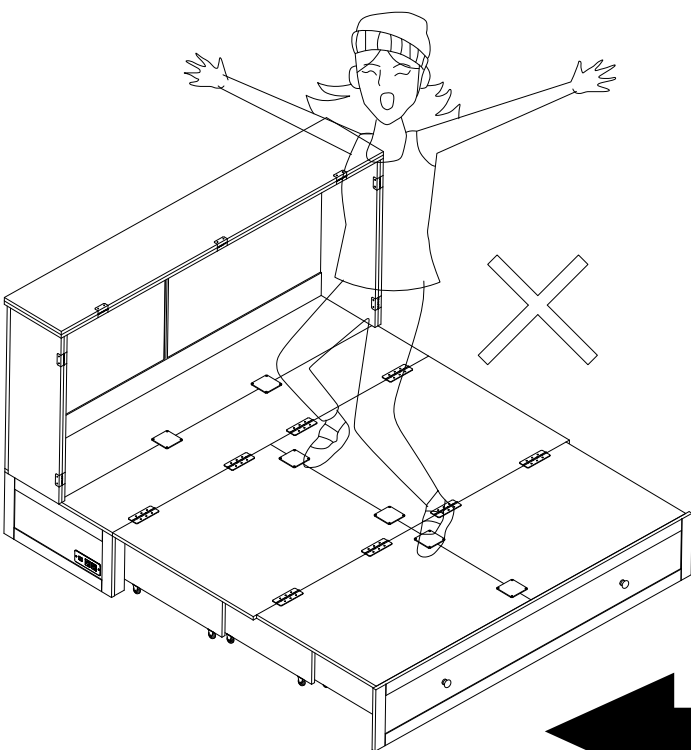
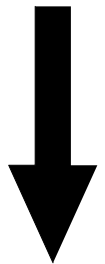


# Product Usage Instructions



NO JUMPING.

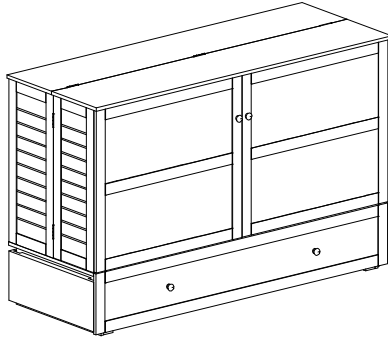


# INSTALLATION GUIDE

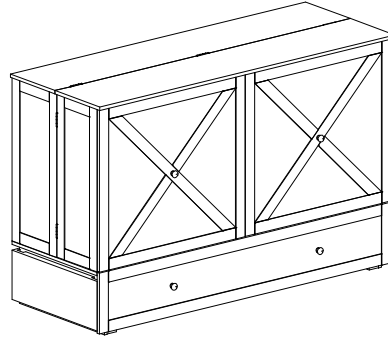


Suggest using electric tools for installation

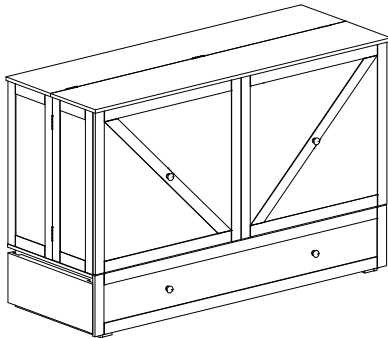
SKU:16008I



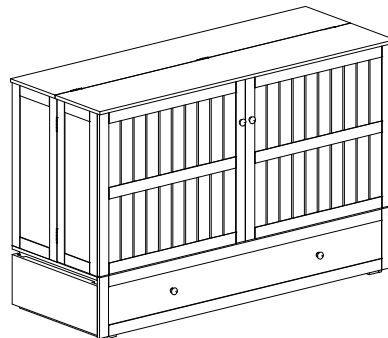
SKU:16012I



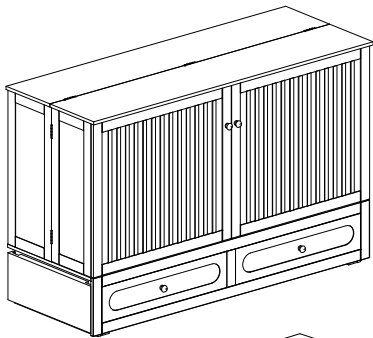
SKU:16013I



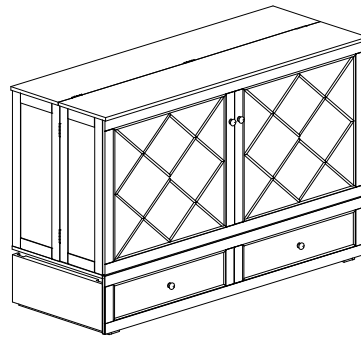
SKU:16014I



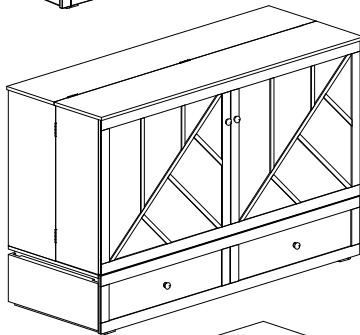
SKU:16020I



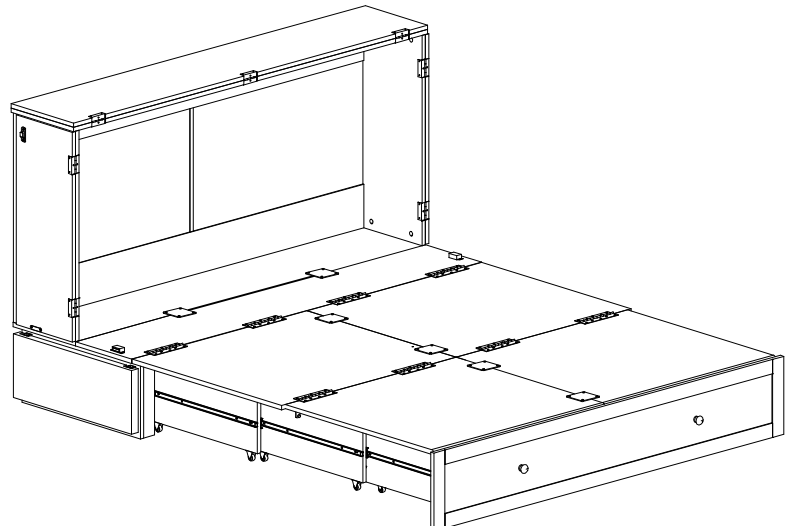
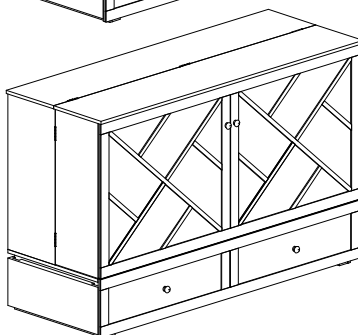
SKU:16021I



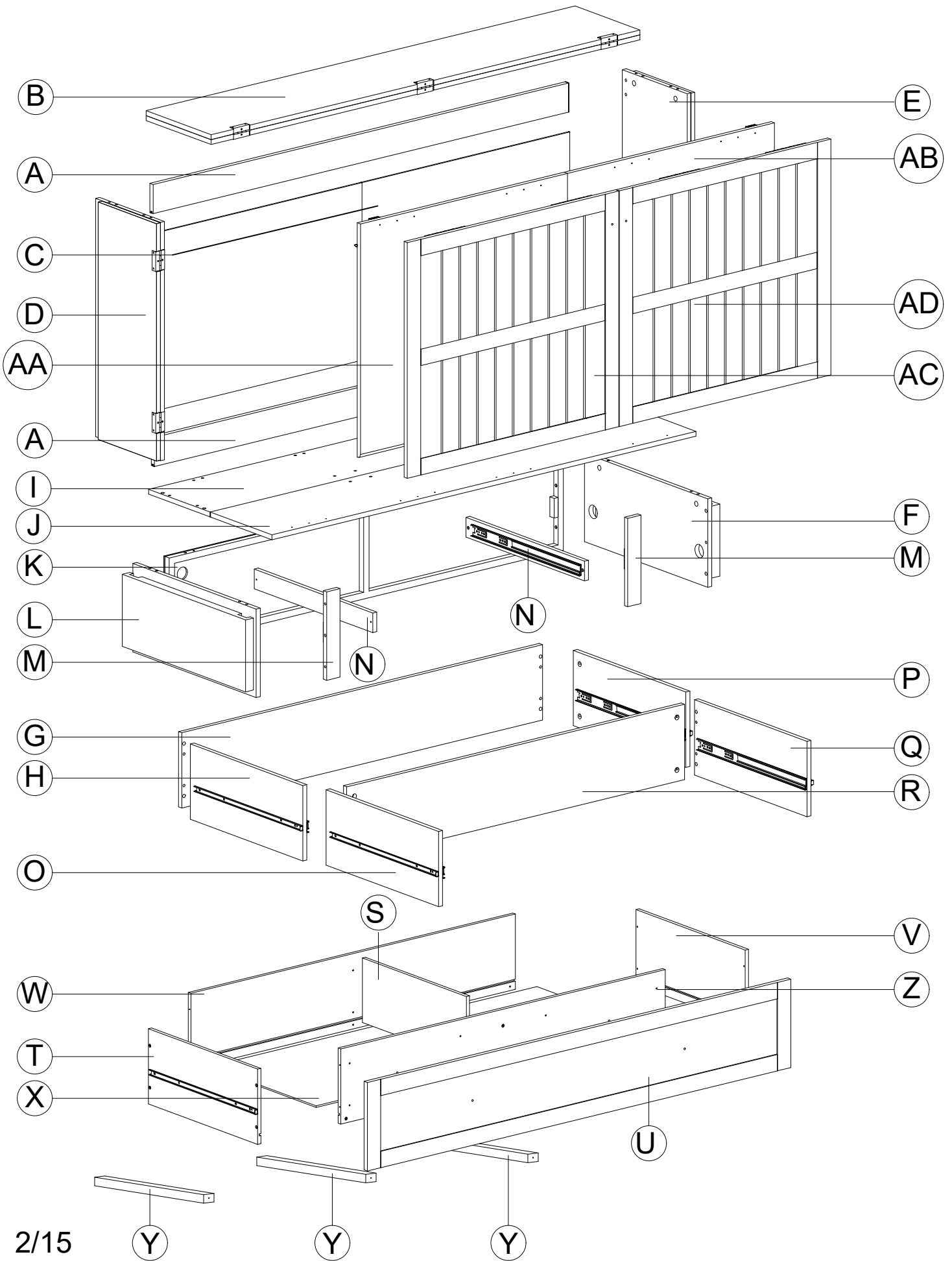
SKU:16022I



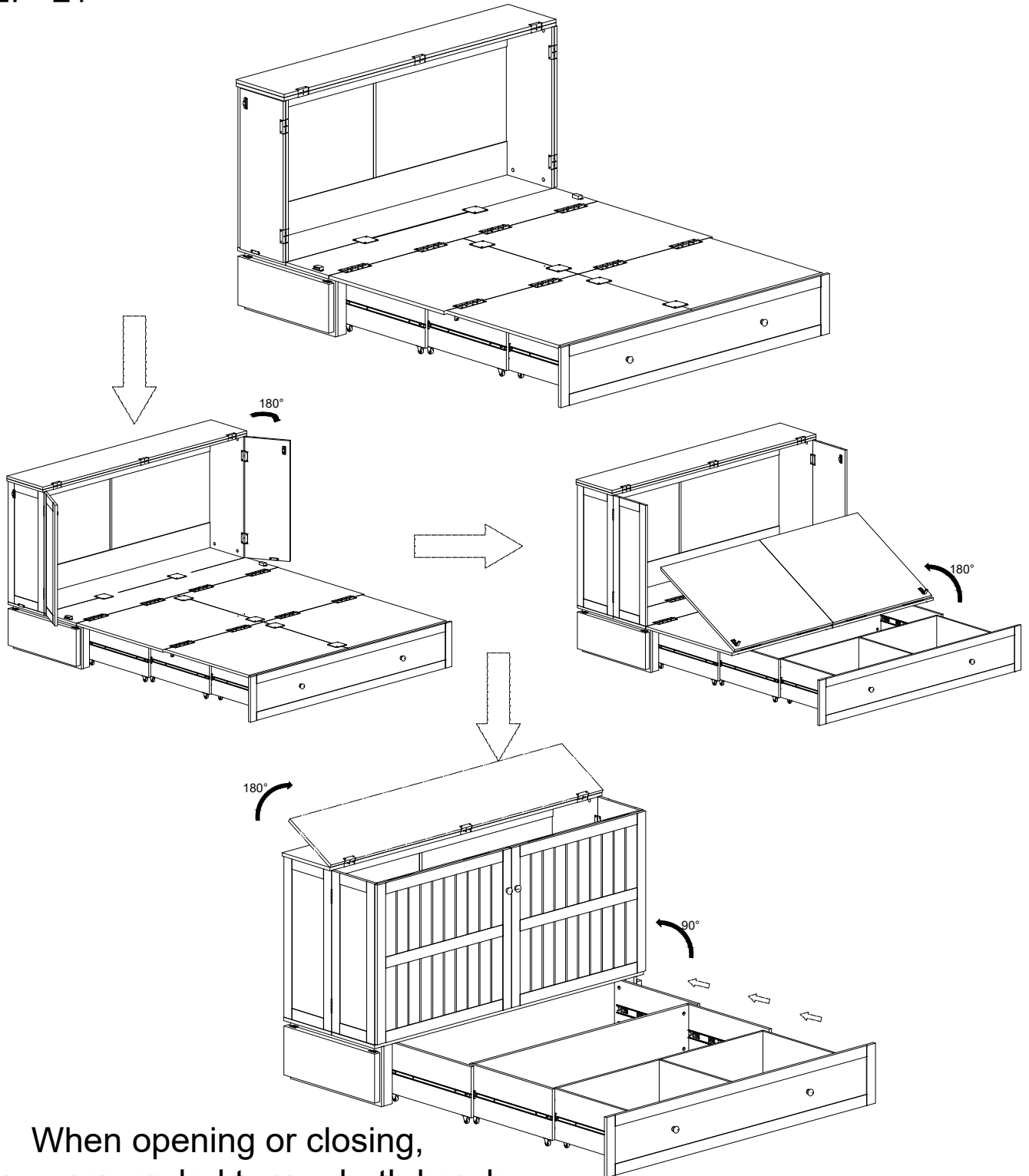
SKU:16023I



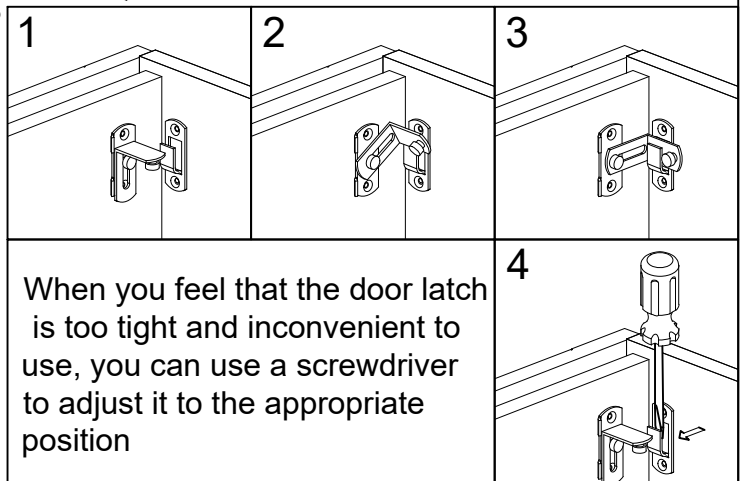
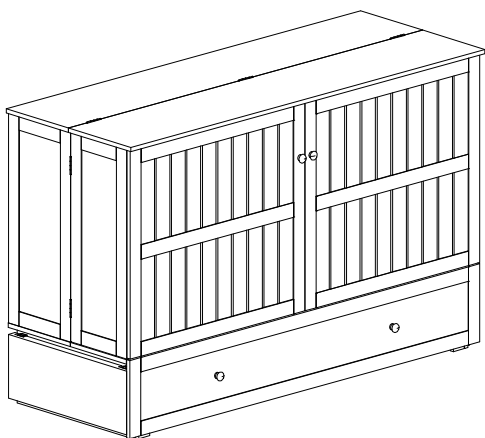
The Red Mark on component J represents the bottom surface


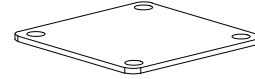
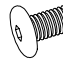



# STEP 21

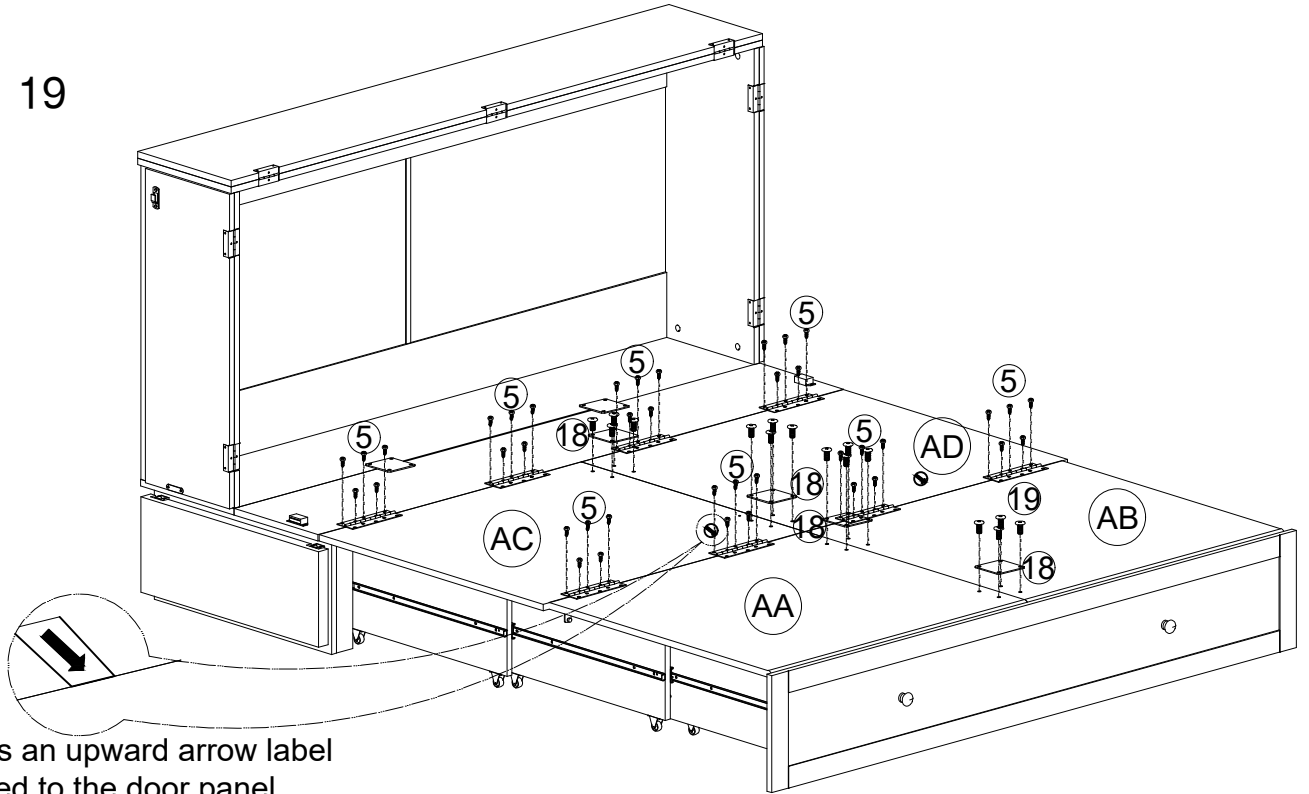


When opening or closing, it is recommended to use both hands to simultaneously push and pull





⑤	 #7 x 3.5x14	40 PCS	⑮	 80*80*2.5	4 PCS
⑲	 M6*12	16 PCS	⑭		1 PCS

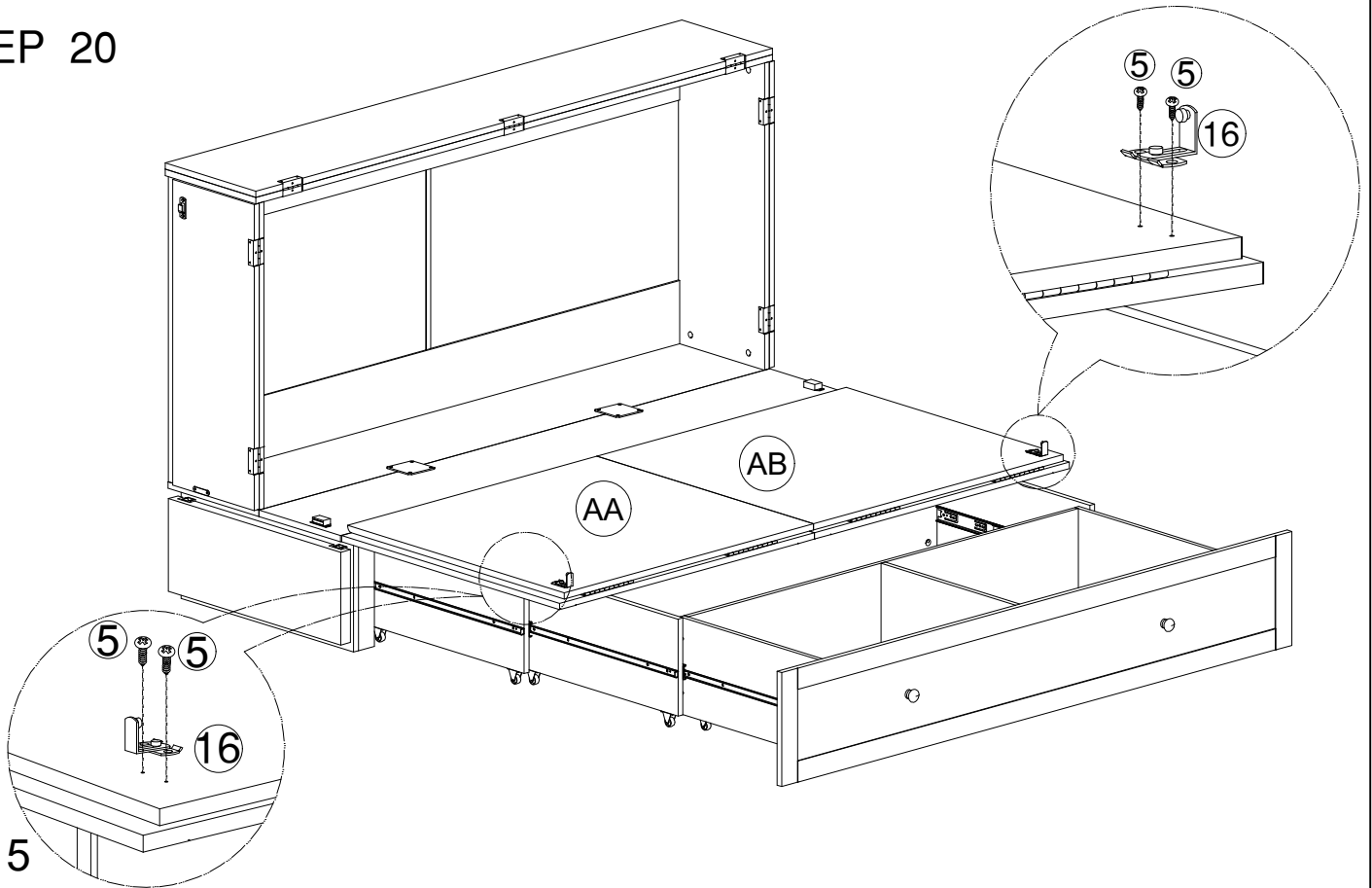
### STEP 19


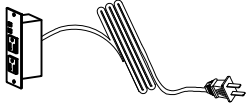
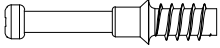
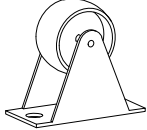
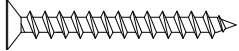

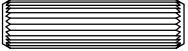
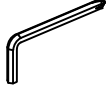

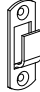

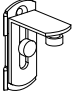



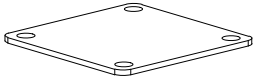

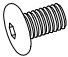



There is an upward arrow label attached to the door panel

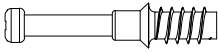



⑤	 #7-φ3.5X14	4 PCS	⑯		2 PCS
---	---	-------	---	---	-------

### STEP 20



①	 KD Cam	44 PCS	⑪		1 PCS
②		44 PCS	⑫		14 PCS
③	 #8-Ø4X30	30 PCS	⑬	 #8-Ø4X20	8 PCS
④	 8 x 30MM	38 PCS	⑭		1 PCS
⑤	 #7-Ø3.5X14	86 PCS	⑮		2 PCS
⑥	 Accessories 6-7, separate during installation	2 PCS	⑯		2 PCS
⑦	 Accessories 6-7, separate during installation	2 PCS	⑰	 L=428mm	1 PCS
⑧	 M4 X 30mm	2 PCS	⑱	 80*80*2.5	6 PCS
⑨	 M4 X 25mm	2 PCS	⑲	 M6*12	24 PCS
⑩		4 PCS			

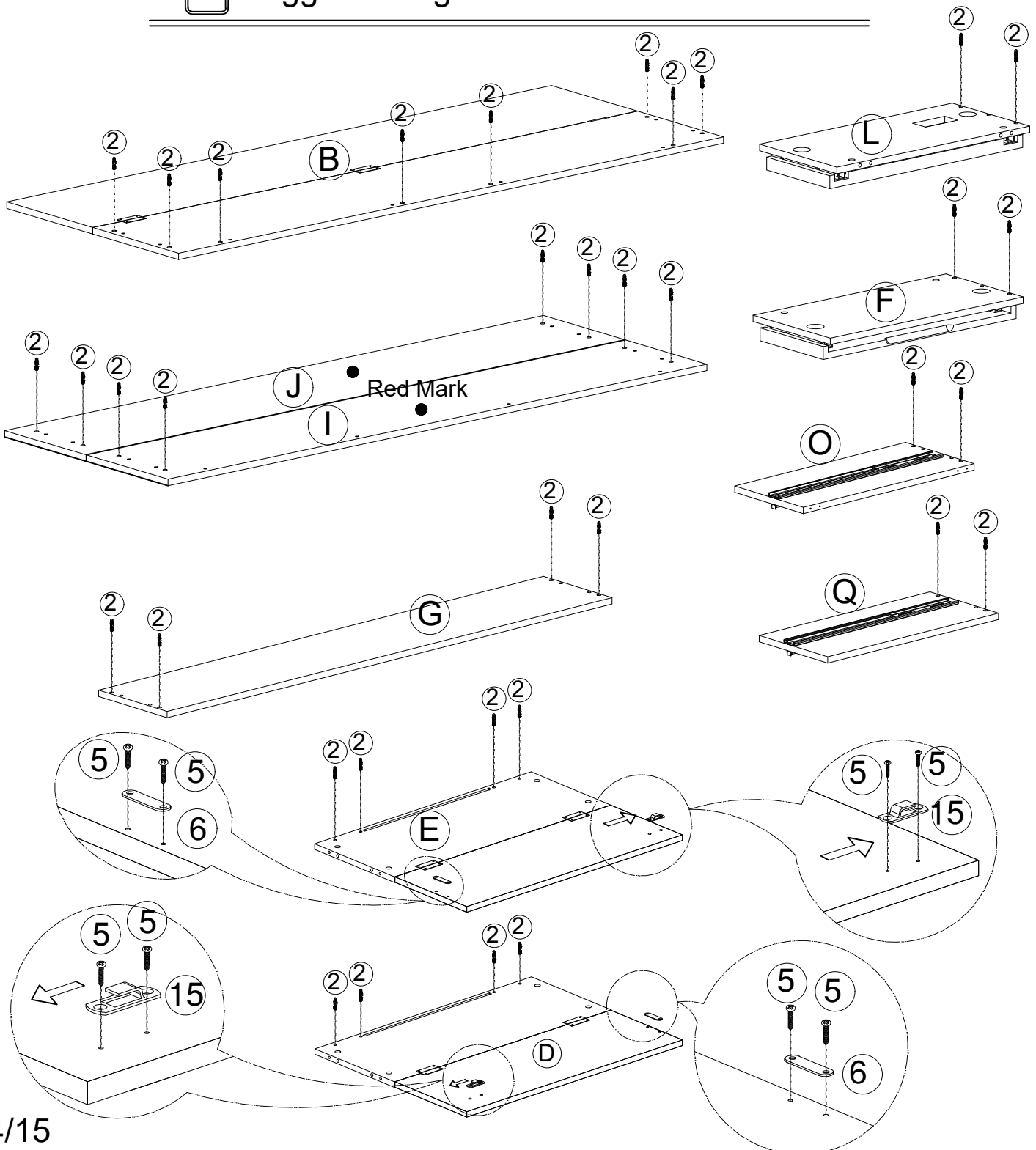
# installation procedure

②		36 PCS	⑮		2 PCS
⑤	 #7-φ3.5X14	8 PCS	⑥		2 PCS

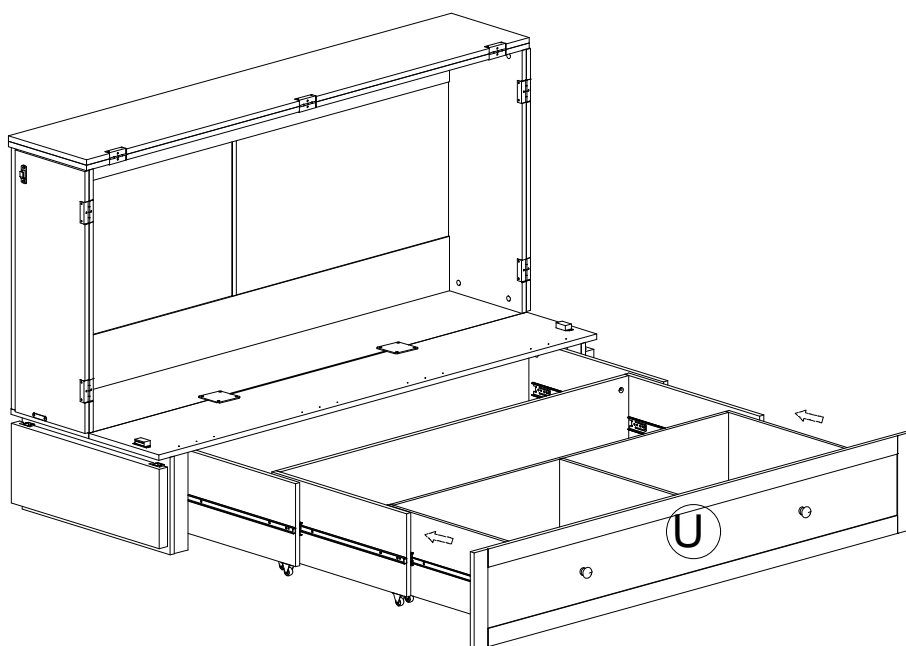
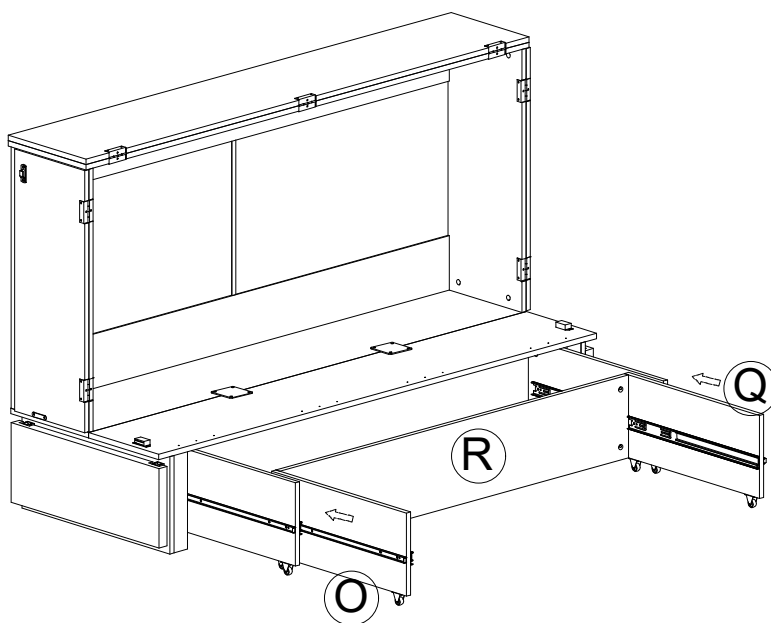
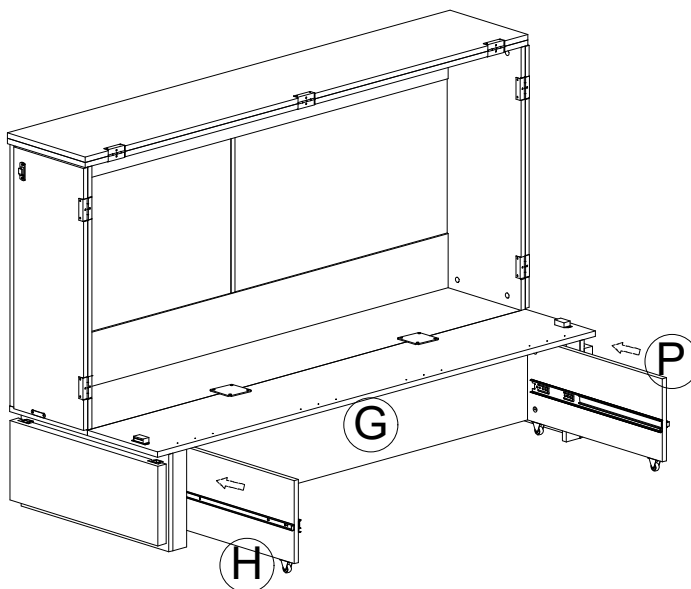
STEP 1



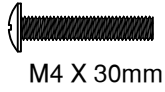
Suggest using electric tools for installation



# STEP 18



8



M4 X 30mm

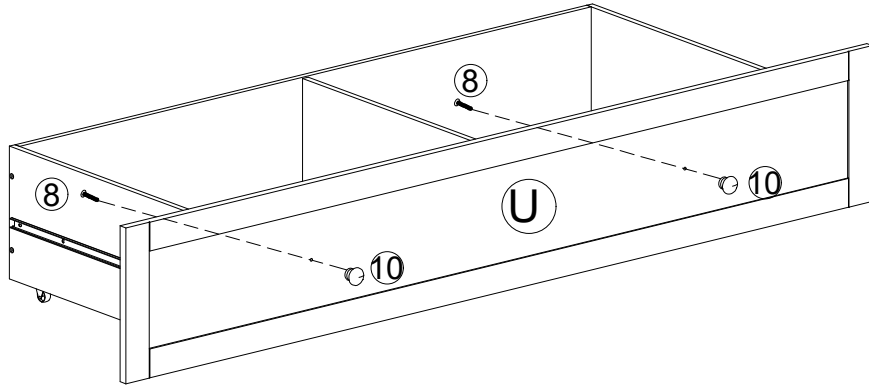
2 PCS

10



2 PCS

### STEP 15



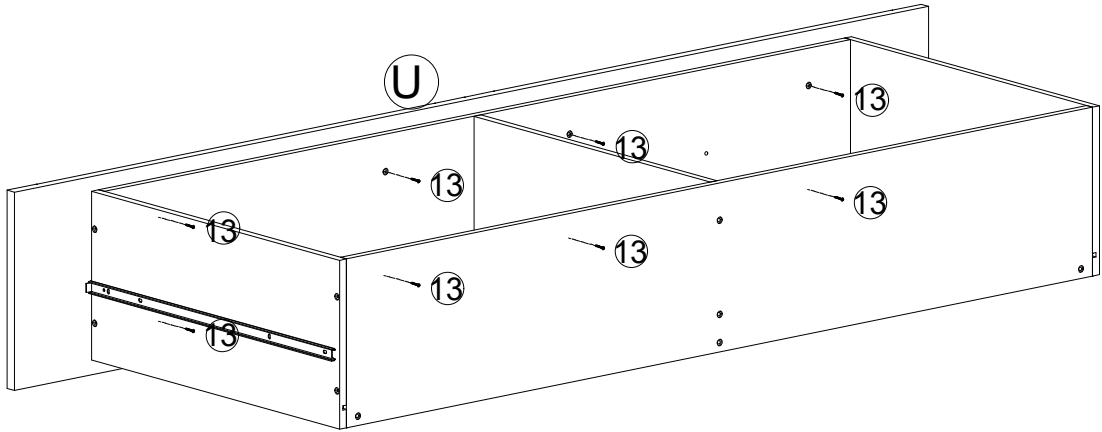
13



#8-Ø4X20

8 PCS

### STEP 16



9



M4 X 25mm

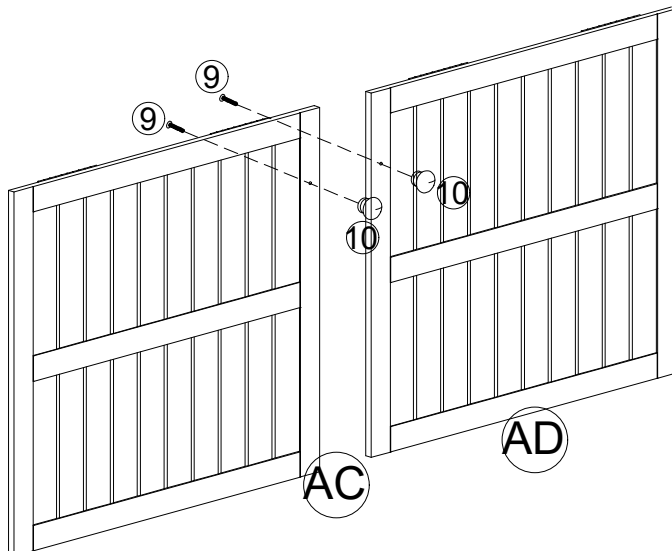
2 PCS

10



2 PCS

### STEP 17

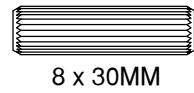


1



4 PCS

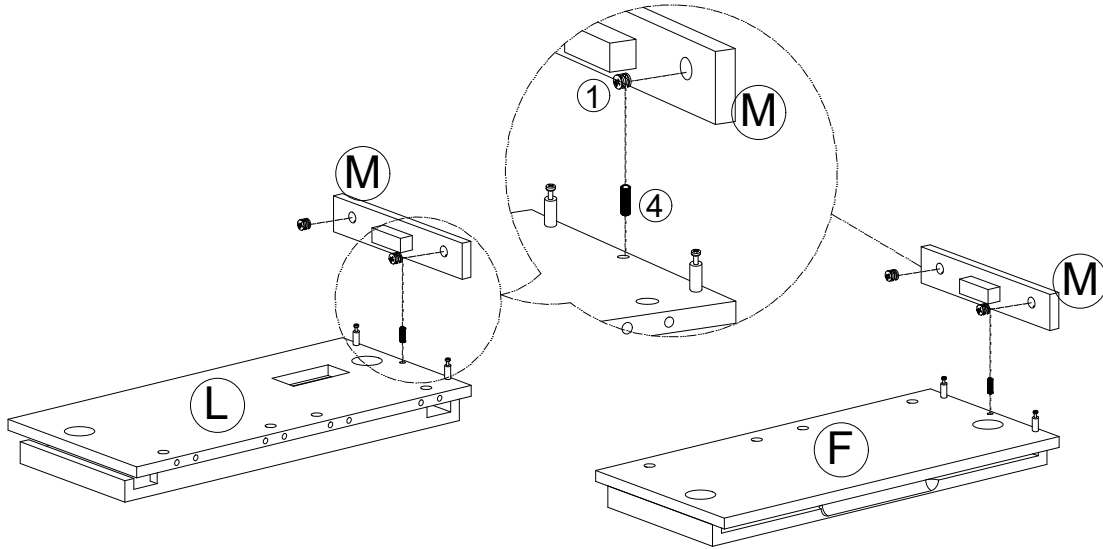
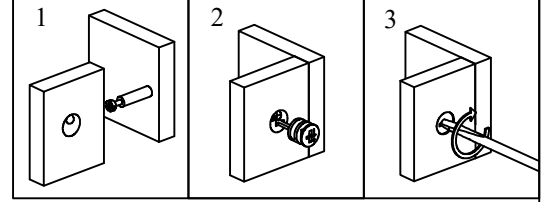
4



8 x 30MM

2 PCS

### STEP 2

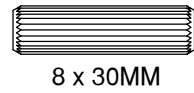


1



8 PCS

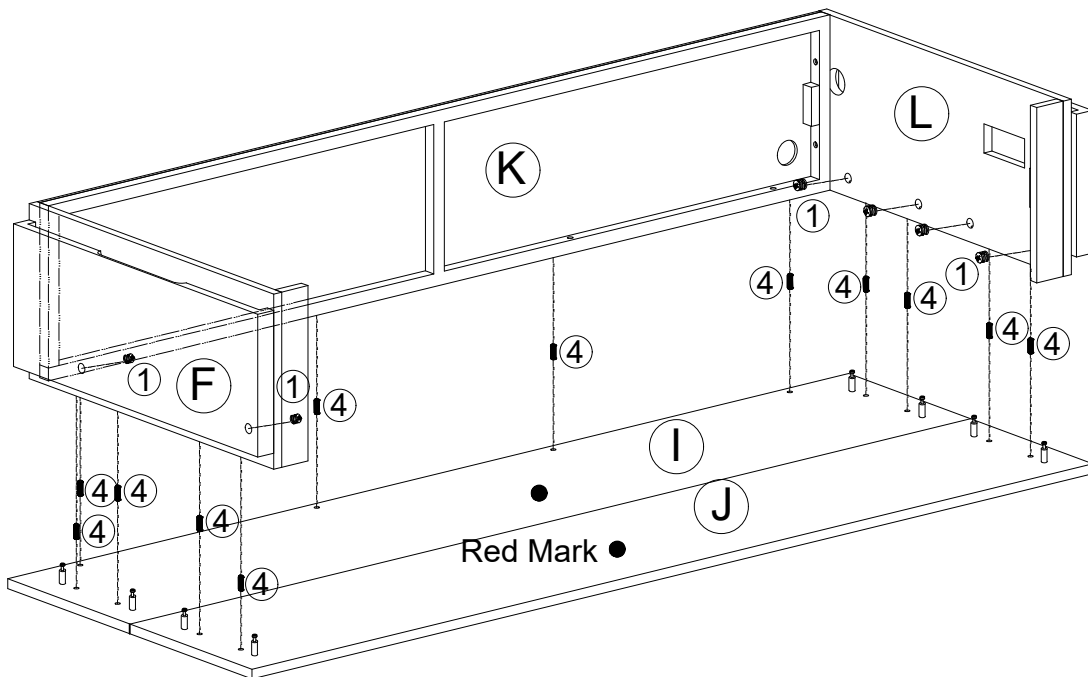
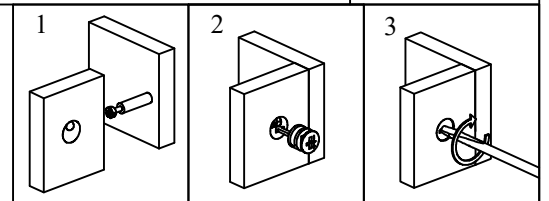
4

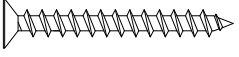


8 x 30MM

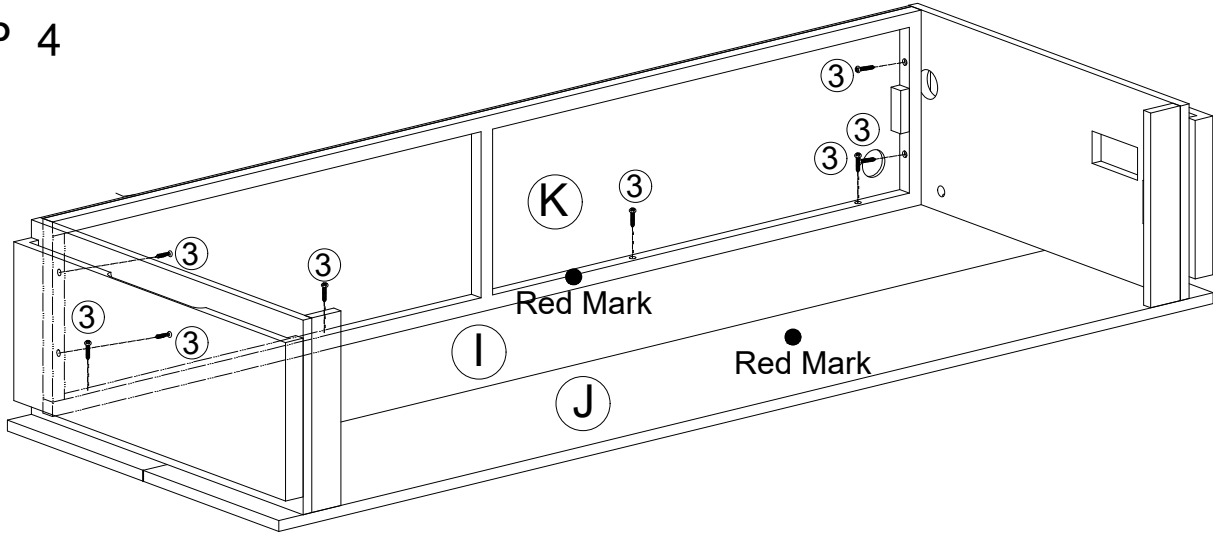
12 PCS

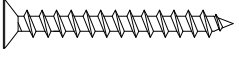
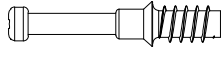
### STEP 3

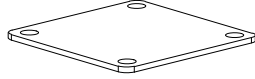
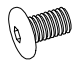


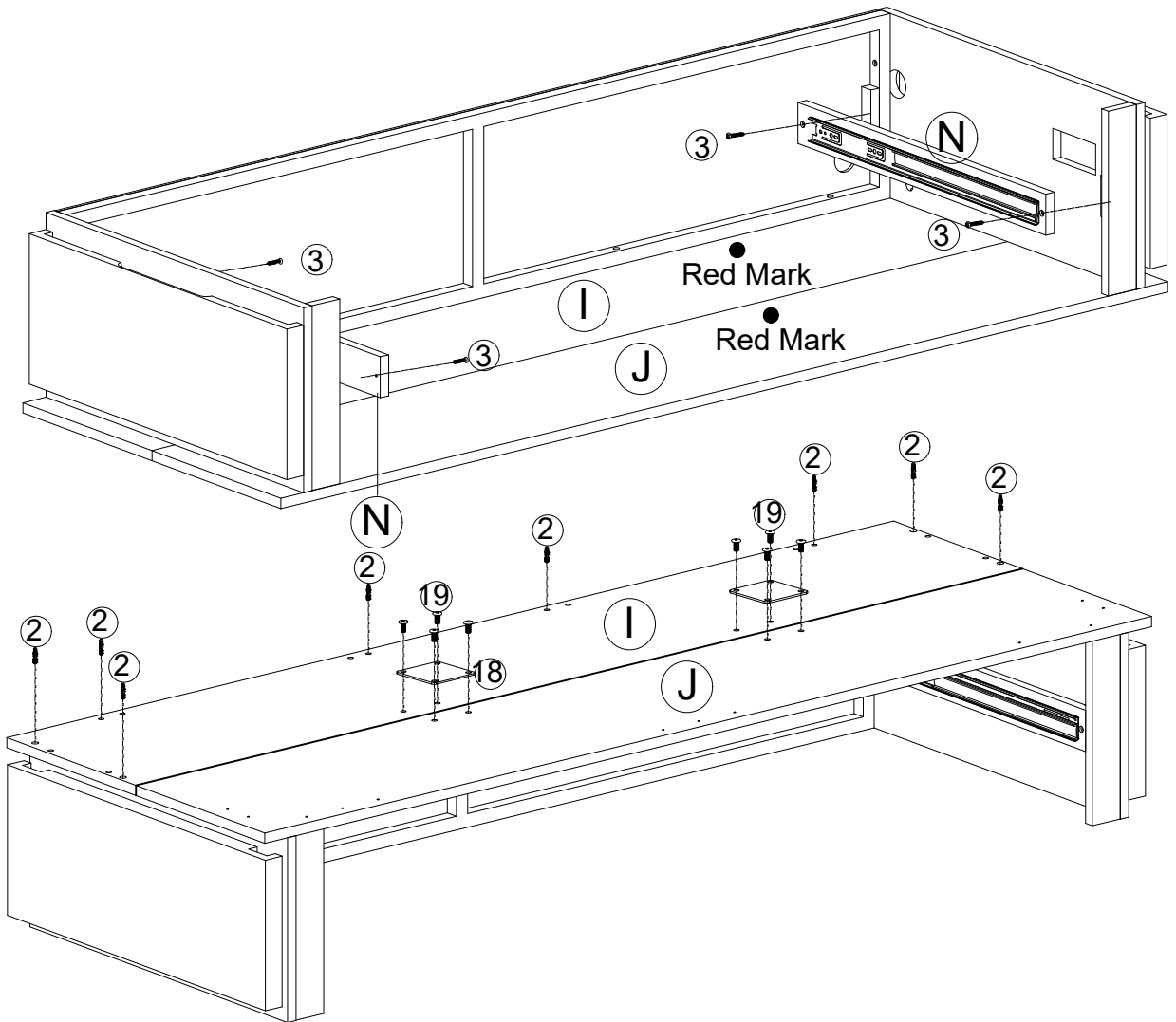
③	 #8-Ø4X30	8 PCS			
---	---	-------	--	--	--

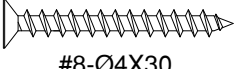

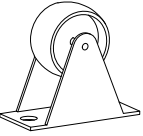
STEP 4



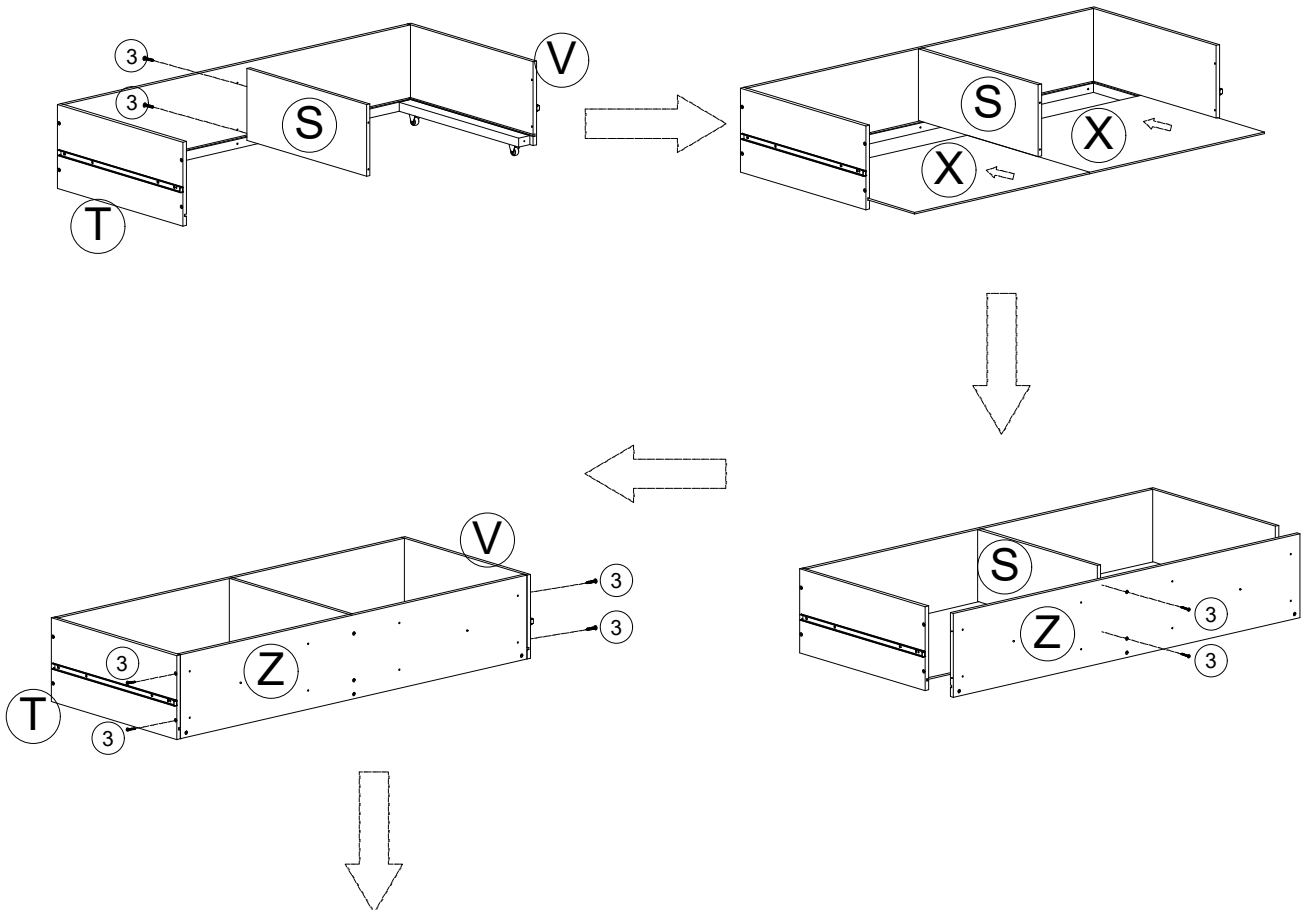
③	 #8-Ø4X30	4 PCS	②		8 PCS
---	---	-------	---	---	-------

⑱	 80*80*2.5	2 PCS	⑲	 M6*12	8 PCS
---	---	-------	---	---	-------

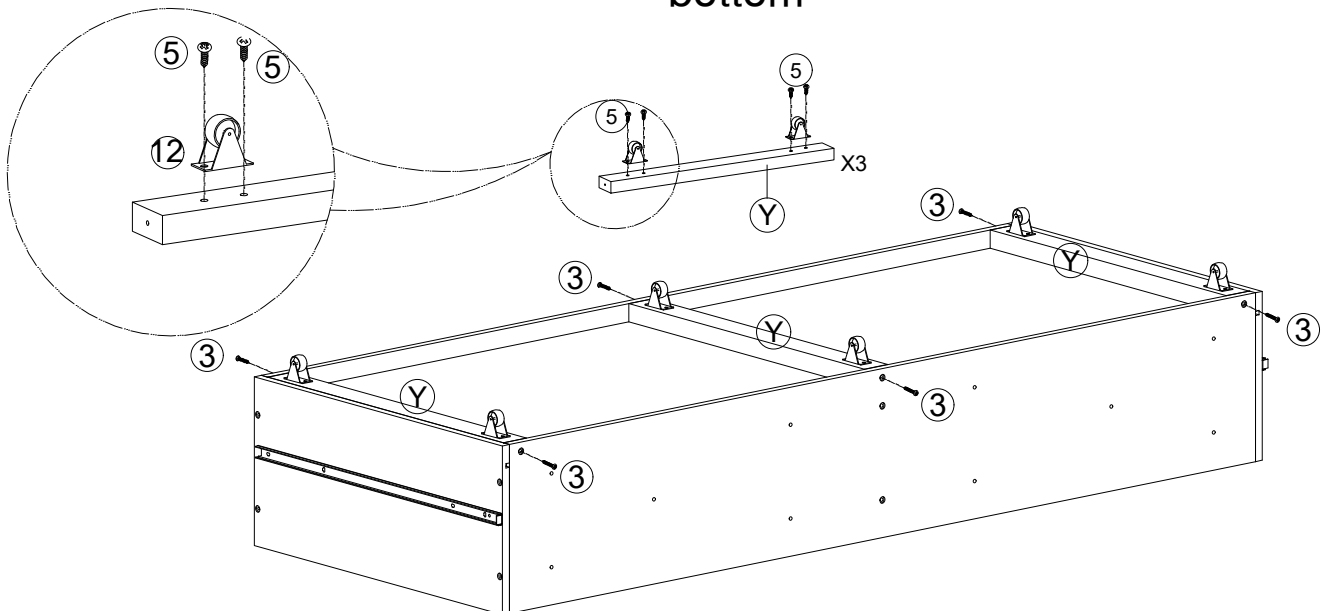


③	 #8-Ø4X30	14 PCS	⑤	 #7 x 3.5x14	12 PCS
⑫		6 PCS			

STEP 14



Flip the drawer over and install the Y component and casters at the bottom



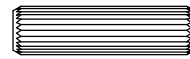
1



KD Cam

8 PCS

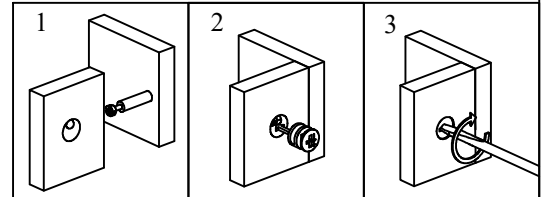
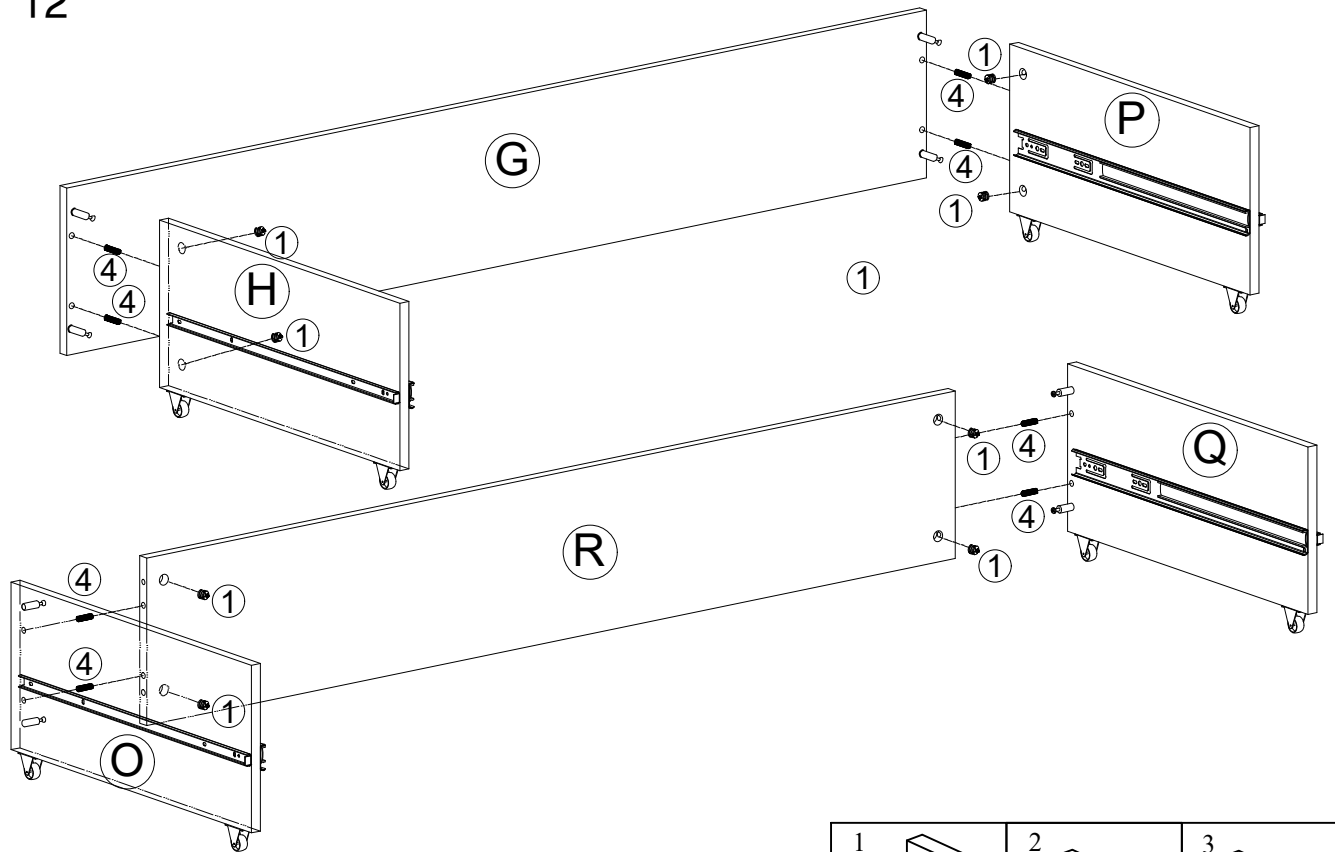
4



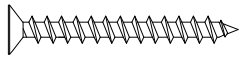
8 x 30MM

8 PCS

### STEP 12



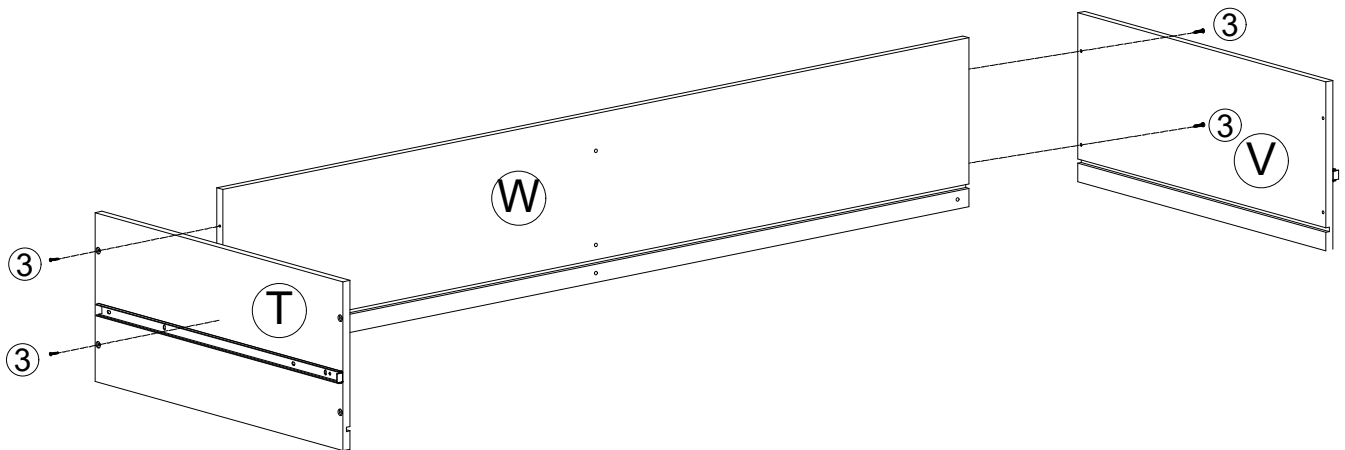
3



#8-Ø4X30

4 PCS

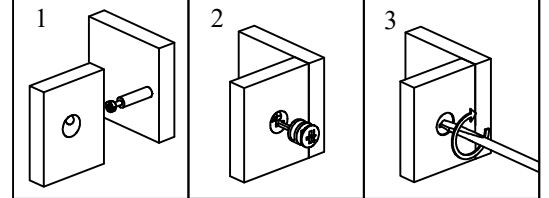
### STEP 13



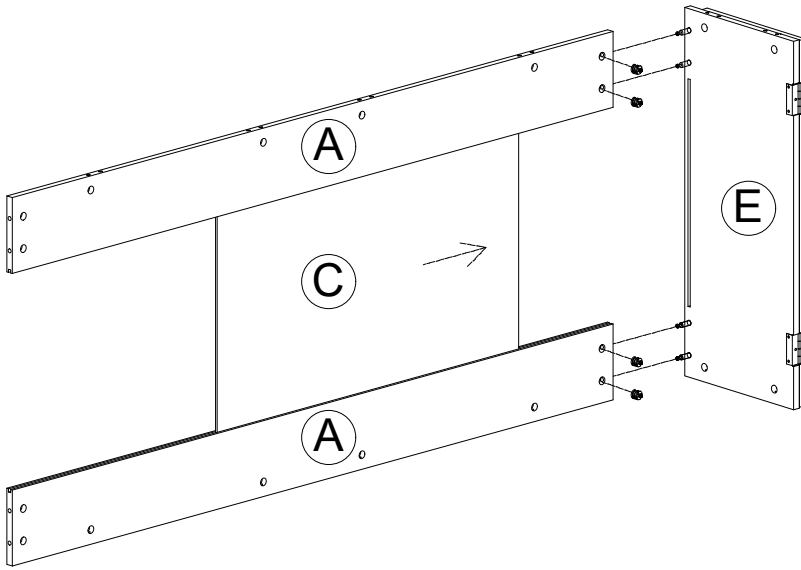
1



4 PCS



STEP 6



1



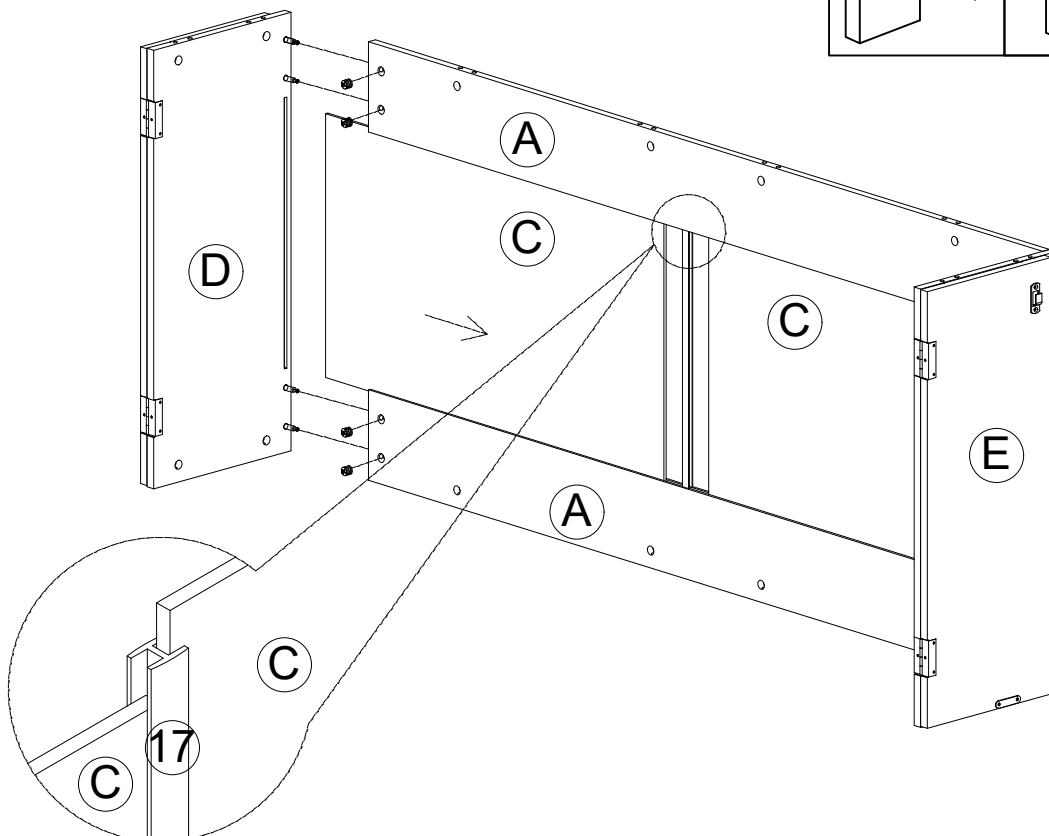
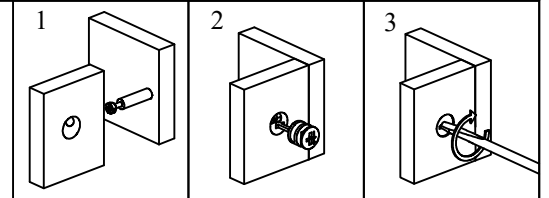
4 PCS

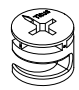

17



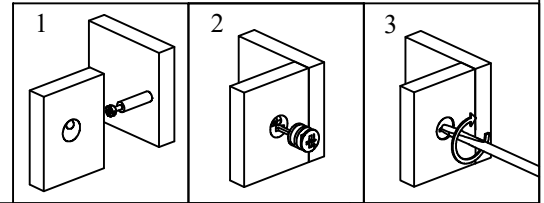
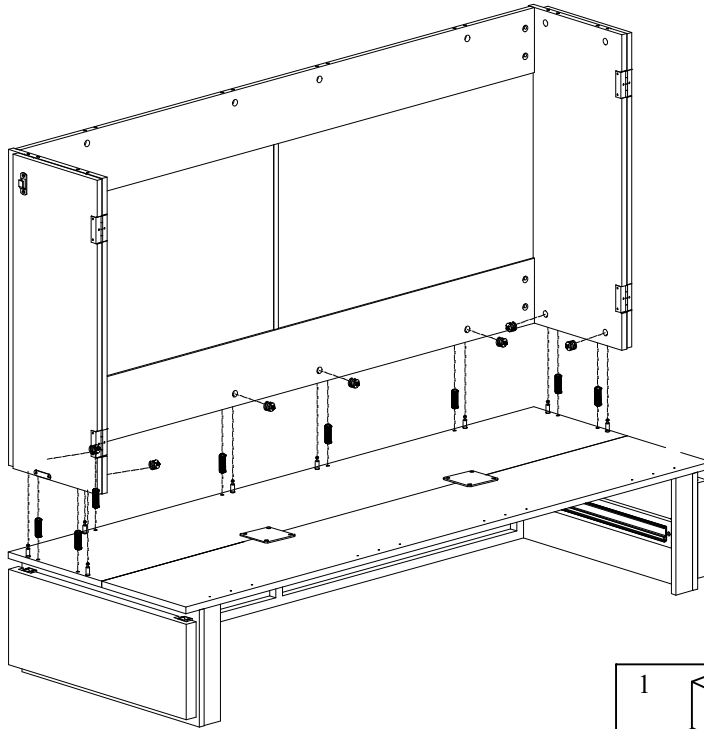
1 PCS



STEP 7

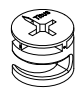



①	 KD Cam	8 PCS	④	 8 x 30MM	8 PCS
---	--	-------	---	--	-------

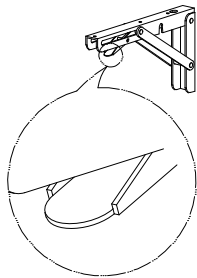
### STEP 8



⑤	 #7 x 3.5x14	2 PCS	⑪	 1 PCS	1 PCS
---	--	-------	---	--	-------

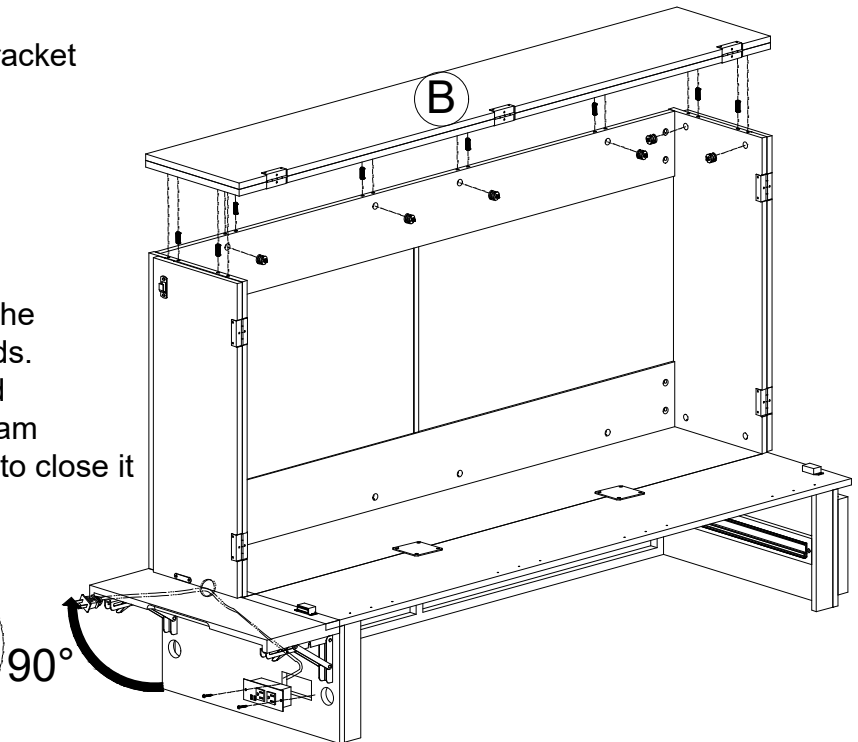
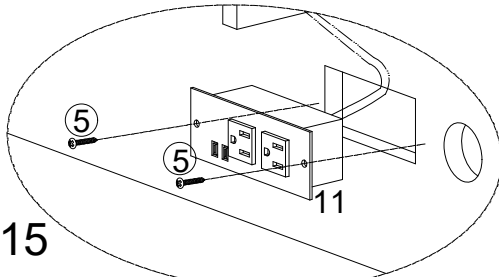
①	 KD Cam	8 PCS	④	 8 x 30MM	8 PCS
---	---	-------	---	---	-------


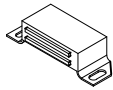
### STEP 9



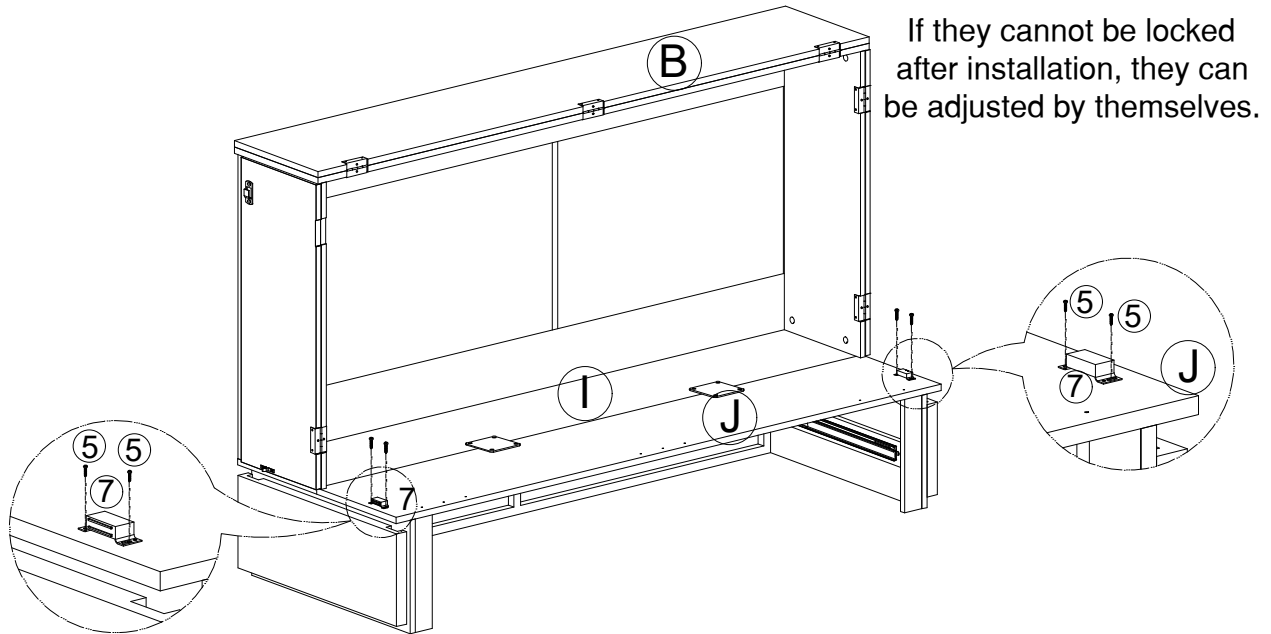
Flip bracket


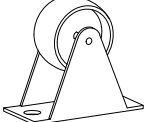
When opening the flip board, lift the movable flip board with both hands.  
 When closing the flip board, hold down the part shown in the diagram with both hands and press down to close it



<p>⑤</p>	 #7-φ3.5X14	4 PCS	⑦		2 PCS
----------	--	-------	---	--	-------

STEP 10



<p>⑤</p>	 #7 x 3.5x14	16 PCS	⑫		8 PCS
----------	--	--------	---	---	-------

STEP 11

