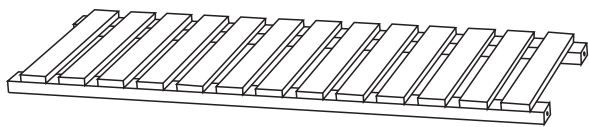
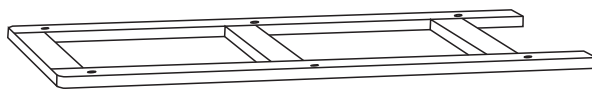


PARTS

1 x 3



2 x 2



HARDWARE

A x 12
M4*35

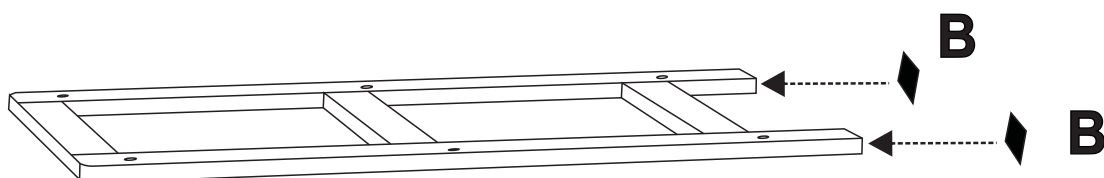


B x 4

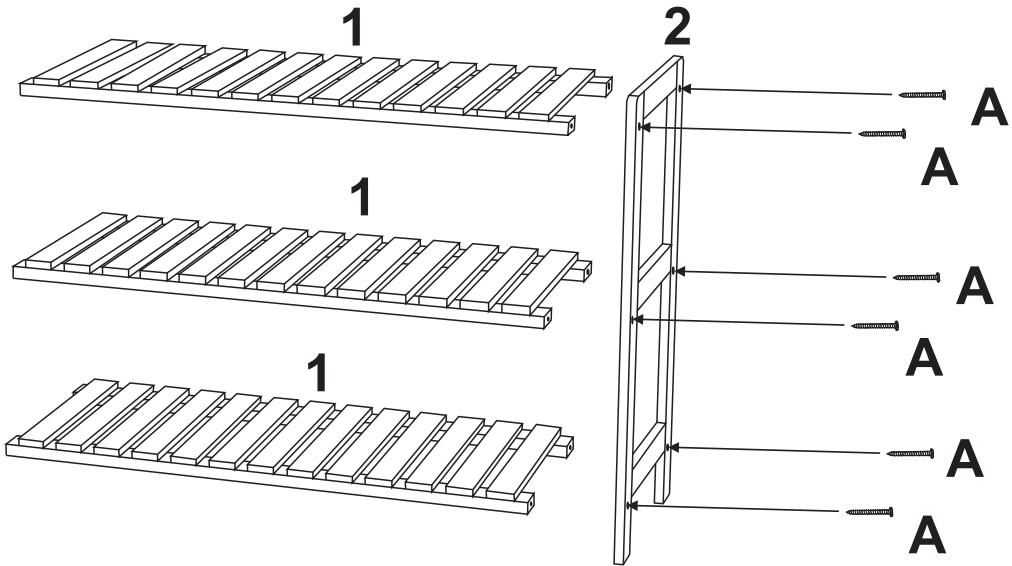


01

2



Ax6 ⊕ 



Ax6 ⊕ 

