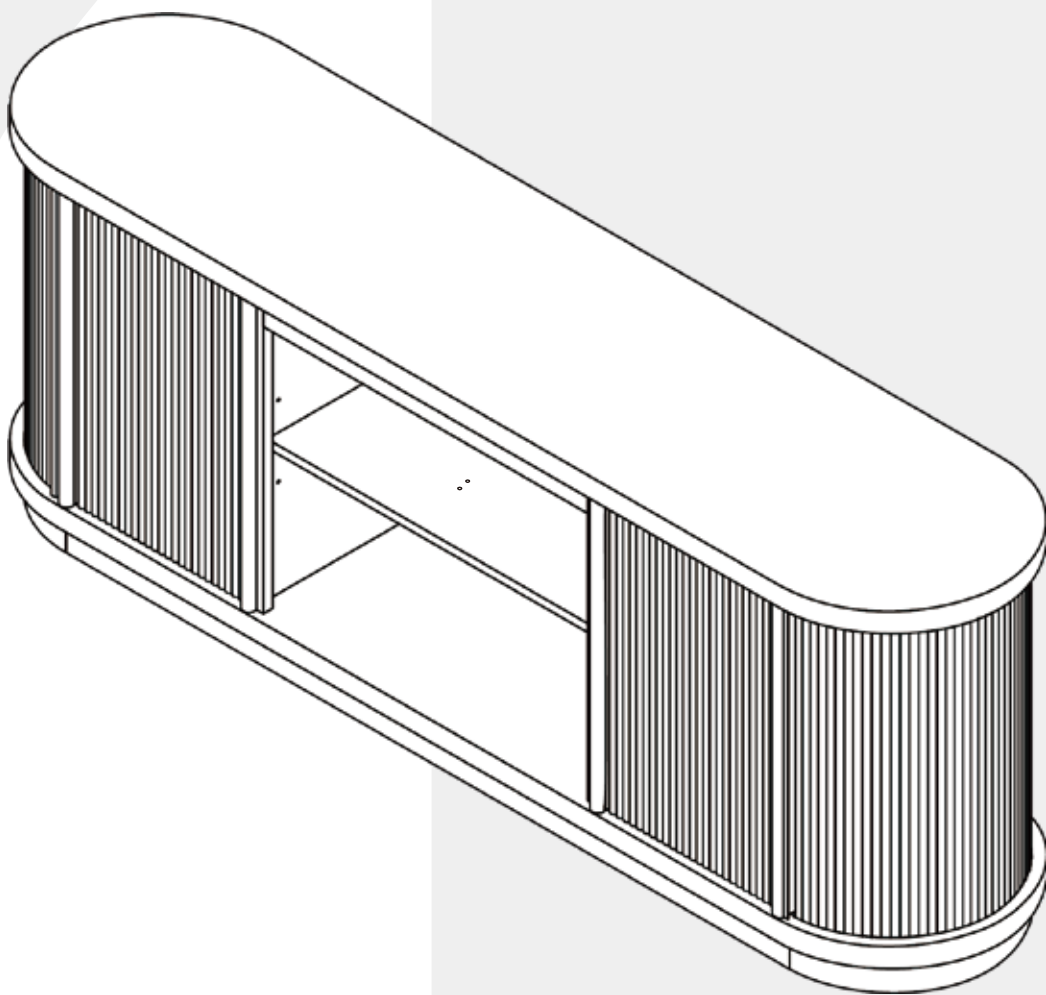


# Instruction Manual

## Turin TV Fire Stand

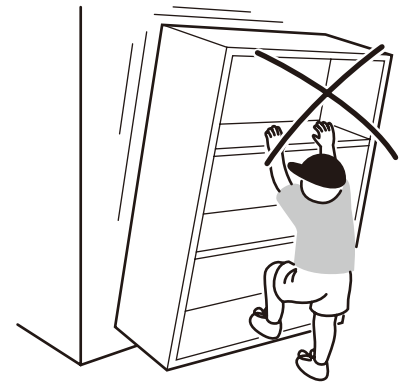
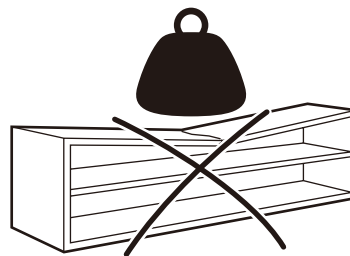
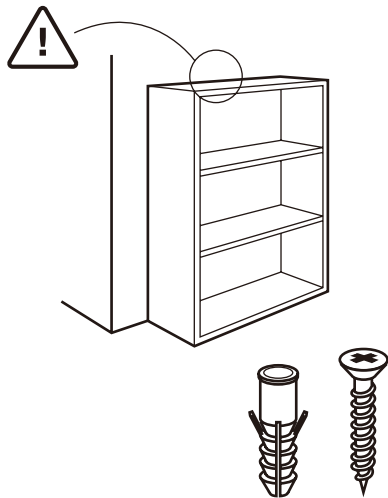


## Read Before Assembly

The instruction booklet contains **IMPORTANT** safety information. Please read it in full and keep it for future reference.



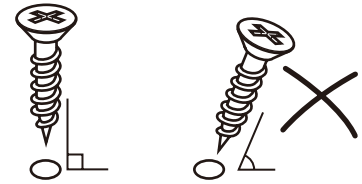
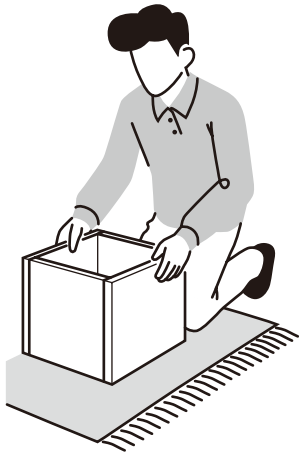
### WARNING!



- Serious or fatal crushing injuries may occur if the furniture tip-over. Furniture must permanently affixed to the wall with anti-tipping device(s) in order to prevent the furniture from tipping over.
- Different wall materials requires different type of wall anchors or screws. Use a suitable wall anchors or screws for your specific wall in order to secure the stability and load bearing capacity of the furniture. If you are uncertain about which type of device to use, please contact us or local hardware store and seek professional advice.
- Only place items that is within the recommended size and weight limit of the furniture.
- Items placed onto the furniture must be resting on a support surface without hanging over the edges.
- Climbing on, stepping on, or placing overweighted objects on the product may cause property damage and / or injuries.



## CAUTION!



- Assemble the furniture on an empty carton, carpet, or rug to prevent scratches or damage.
- When assembling the furniture, keep pets and children away from the assembly area.
- Ensure the product is fully assembled before use. If you are missing any hardware or parts, do not use it until you have restored the missing parts.
- This furniture requires 2 people for assembly.
- Lay out all components and hardware separately on a flat surface and make sure that no parts are missing or damaged before assembly. Do not destroy or discard any packaging until you are certain that you have all the necessary parts for assembly.
- There are small components used in the construction of the furnitures. Loose items, plastic bags, and packaging films should be kept away from pets or children to avoid choking hazard or suffocations.
- Read this instruction manual prior to assembly and familiarize yourself with the various steps.
- Install all hardware perpendicular to the opening unless otherwise specified.
- Hand tight all hardware and careful not to over-tighten to avoid damaging the product.

## Assembly Symbols



- Follow sequential order.



- Build specified number of parts.



- Flip part as indicated.



- Rotate part as indicated.



- Choose your own assembly options.



- Pay attention to the part orientation.



- Leave bolts or screws partially tighten.



- Fully tighten bolts or screws.



- Level the furniture on the ground.

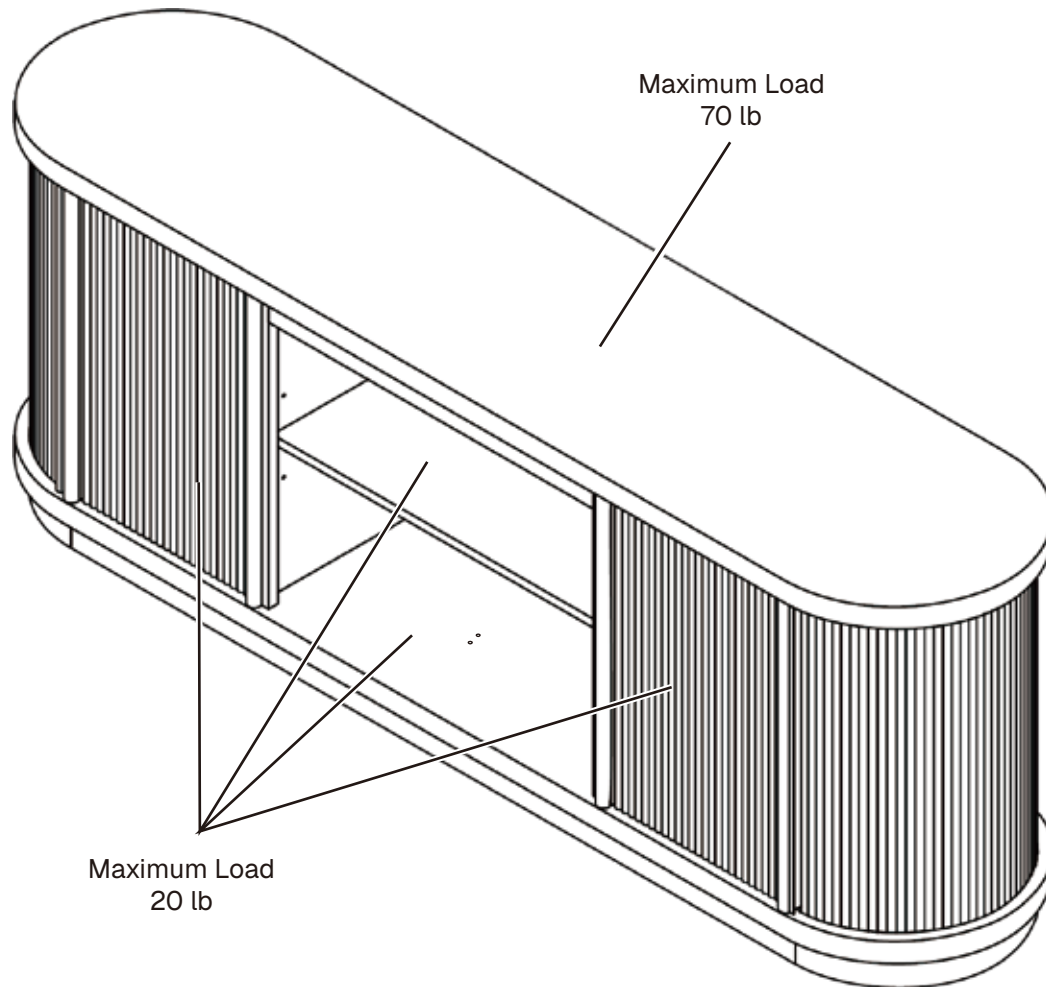


Estimated Time for Assembly

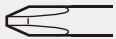
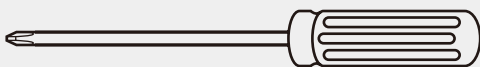
**120 mins**



Weight Capacity Limitations are as Follows:

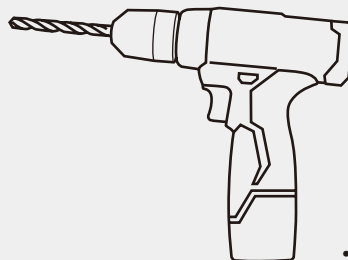


## Tools Needed



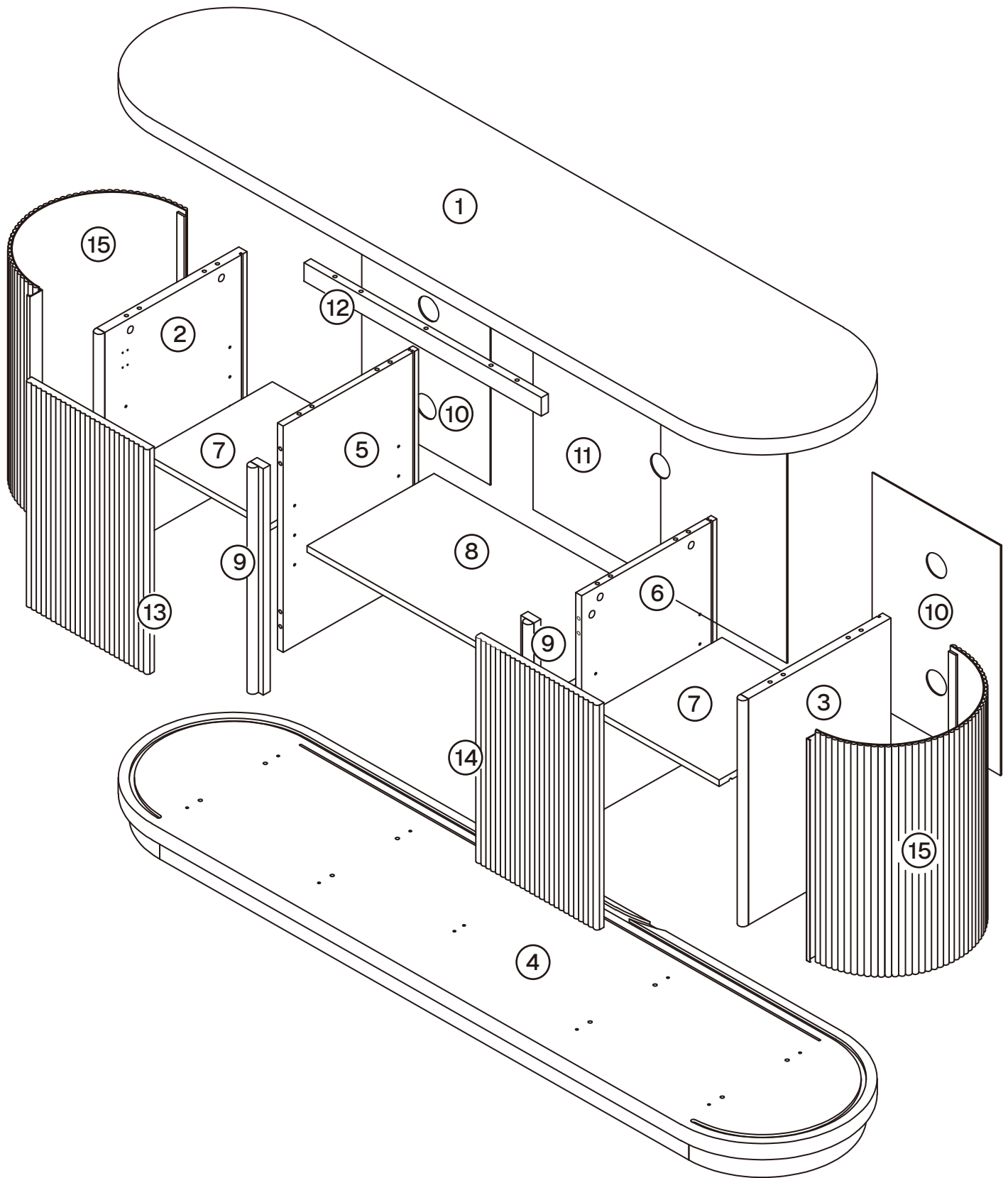
• Philips Screwdriver

• Rubber Mallet Hammer



• Electric Drill

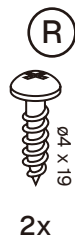
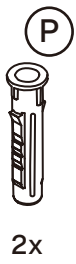
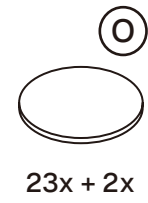
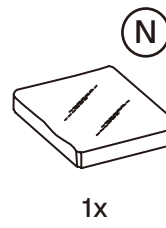
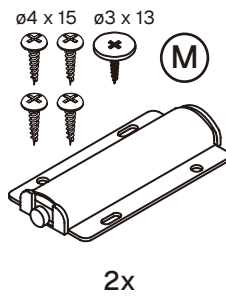
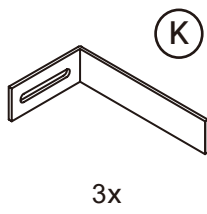
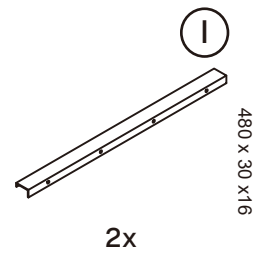
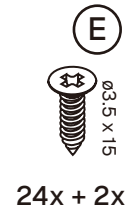
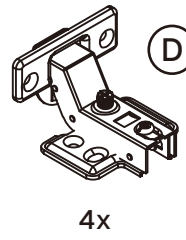
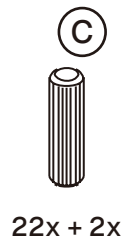
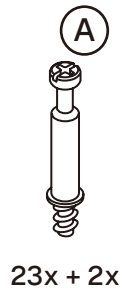
# Package Contents



## Package Contents

CODE	DESCRIPTION	QTY
1	Top Panel	1
2	Left Lateral Panel	1
3	Right Lateral Panel	1
4	Bottom Panel	1
5	Left Medial Panel	1
6	Right Medial Panel	1
7	Small Storage Shelf Panel	2
8	Large Storage Shelf Panel	1
9	Vertical Surround Panel	2
10	Back Panel	2
11	Back Panel	1
12	Horizontal Surround Panel	1
13	Cabinet Door	1
14	Cabinet Door	1
15	Sliding Door	2

# Package Contents

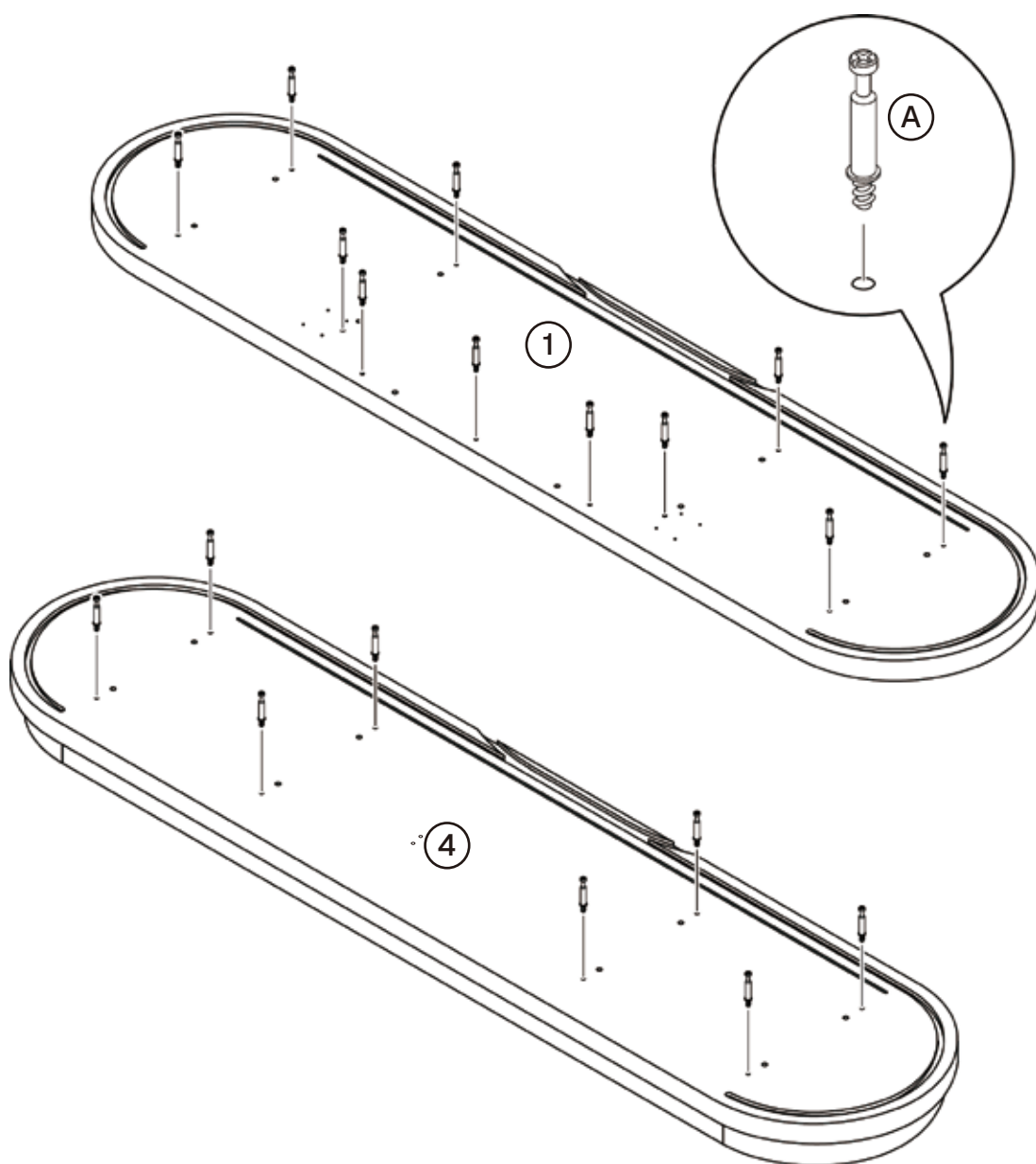


# 01

Top panel and bottom panel



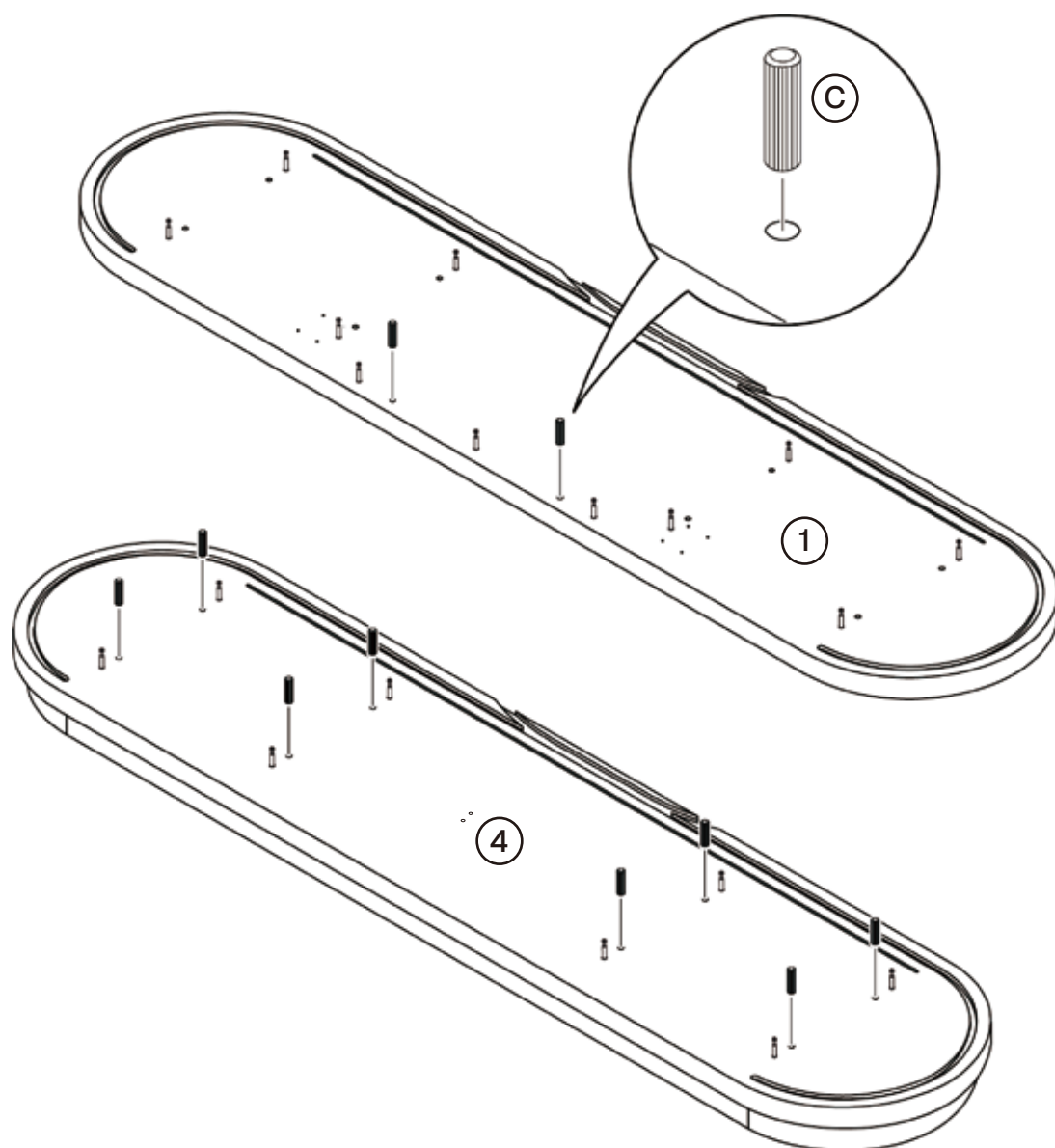
A 19x



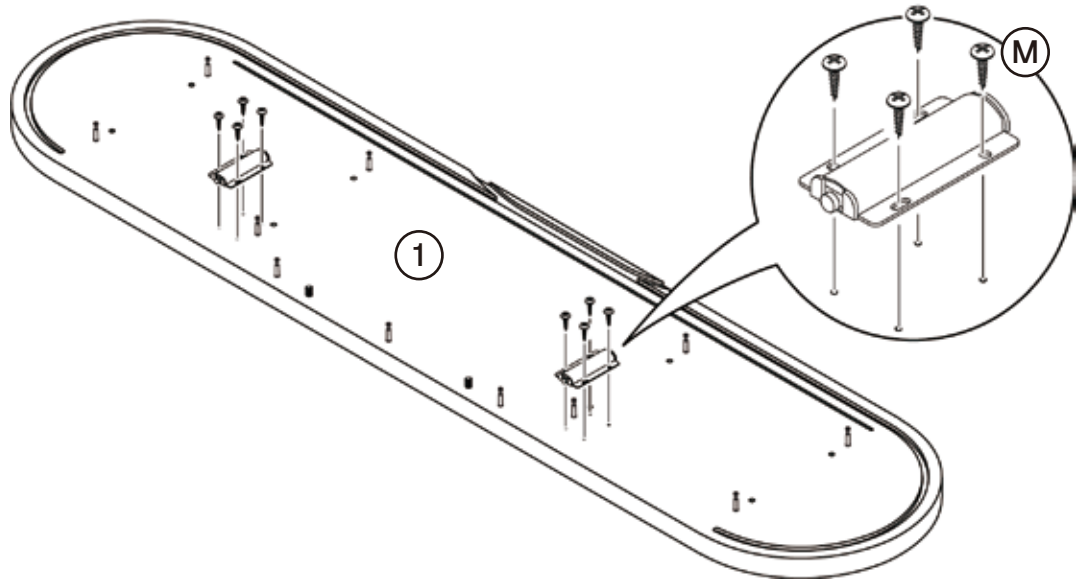
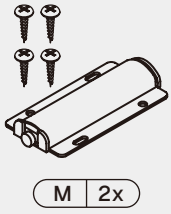
# 02 Top panel and bottom panel



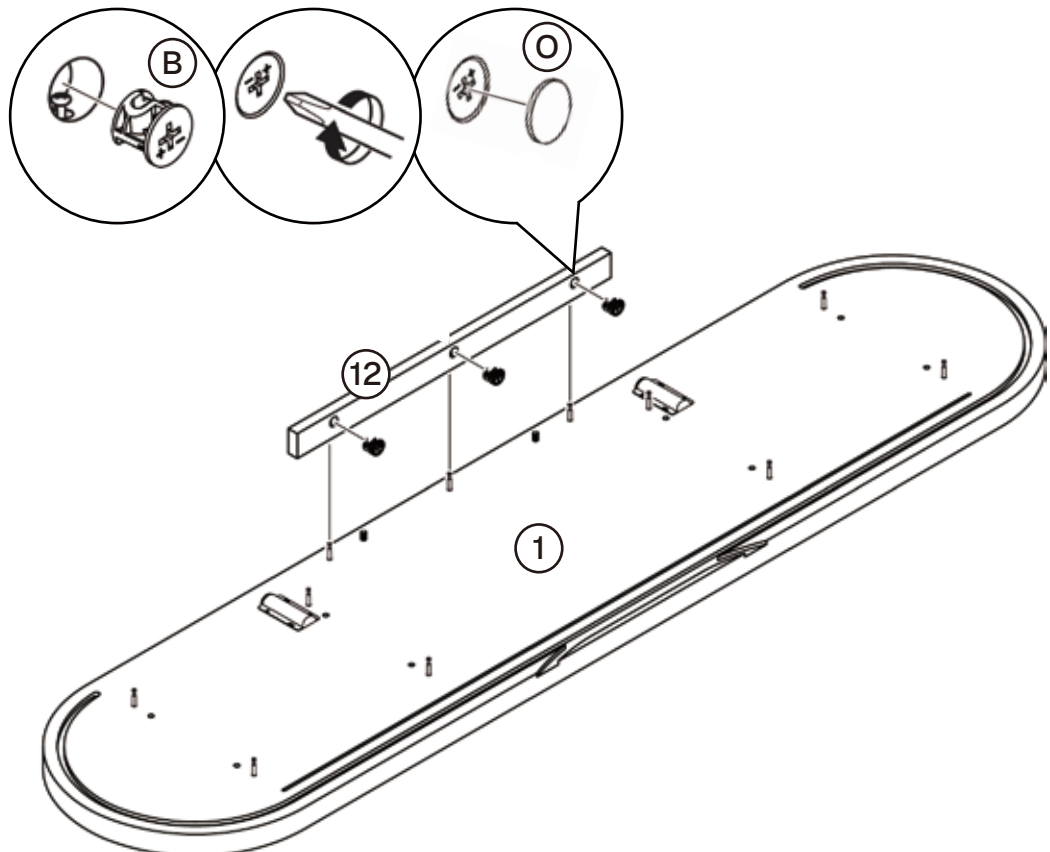
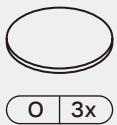
C 10x



### 03 Attaching push-to-open latch



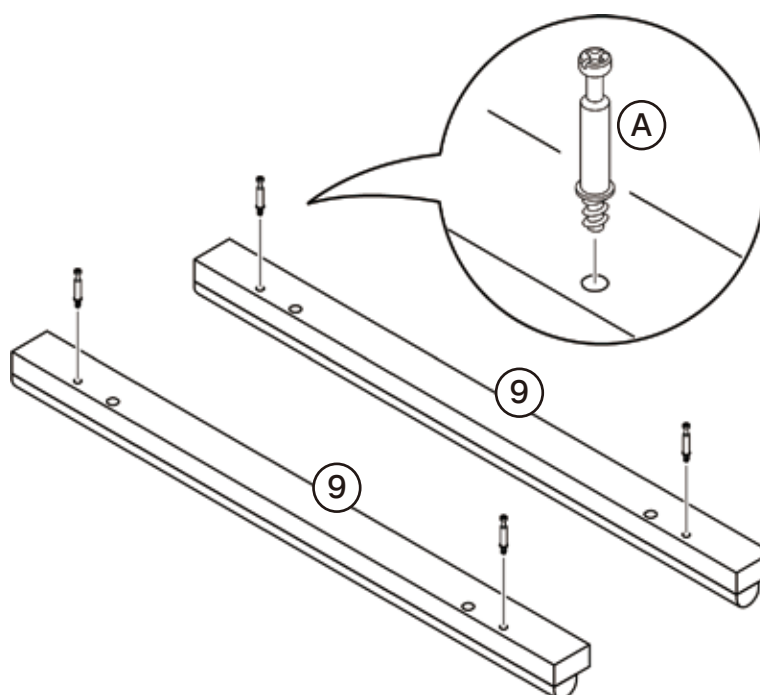
### 04 Attaching horizontal surround panel



# 05 Vertical surround panel



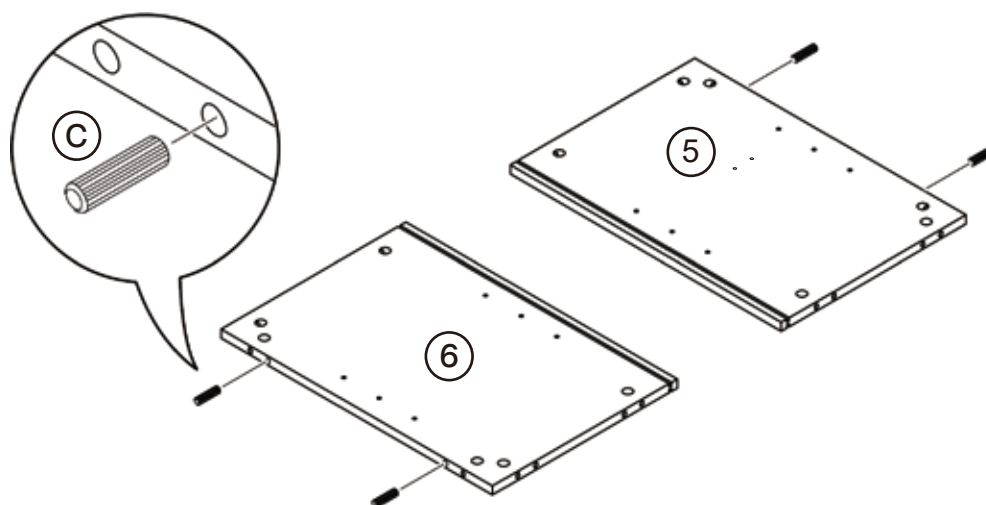
A 4x



# 06 Medial panels



C 4x



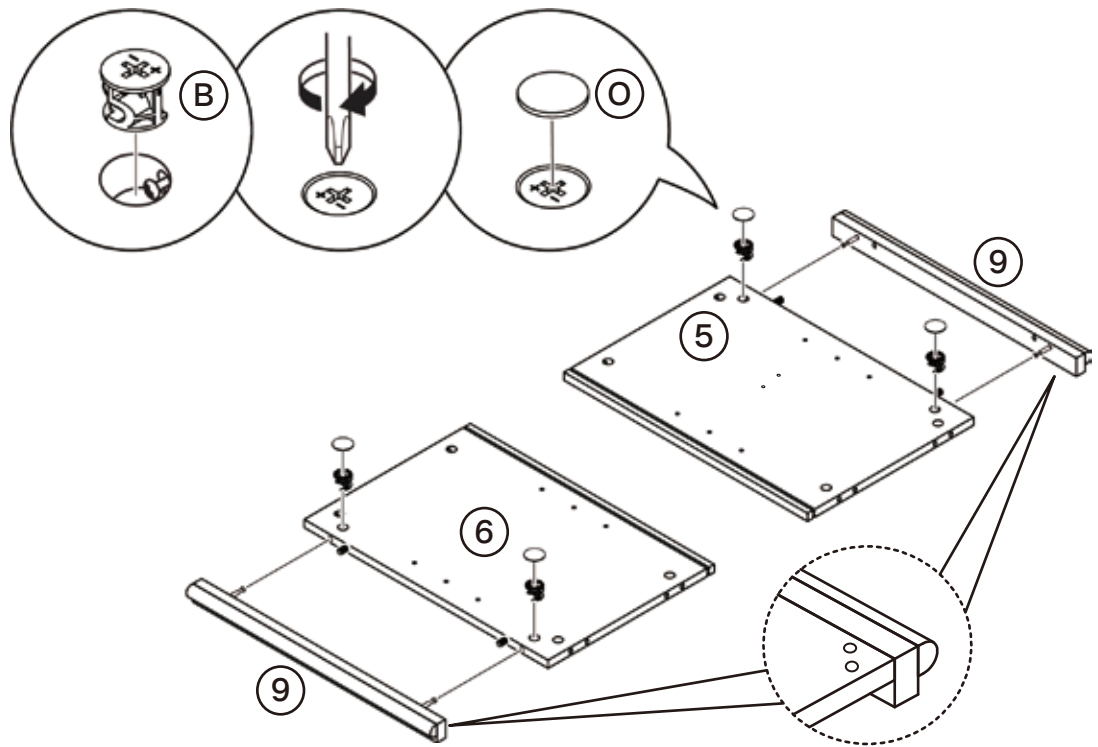
# 07 Attaching surround panels to medial panels



B 4x



O 4x



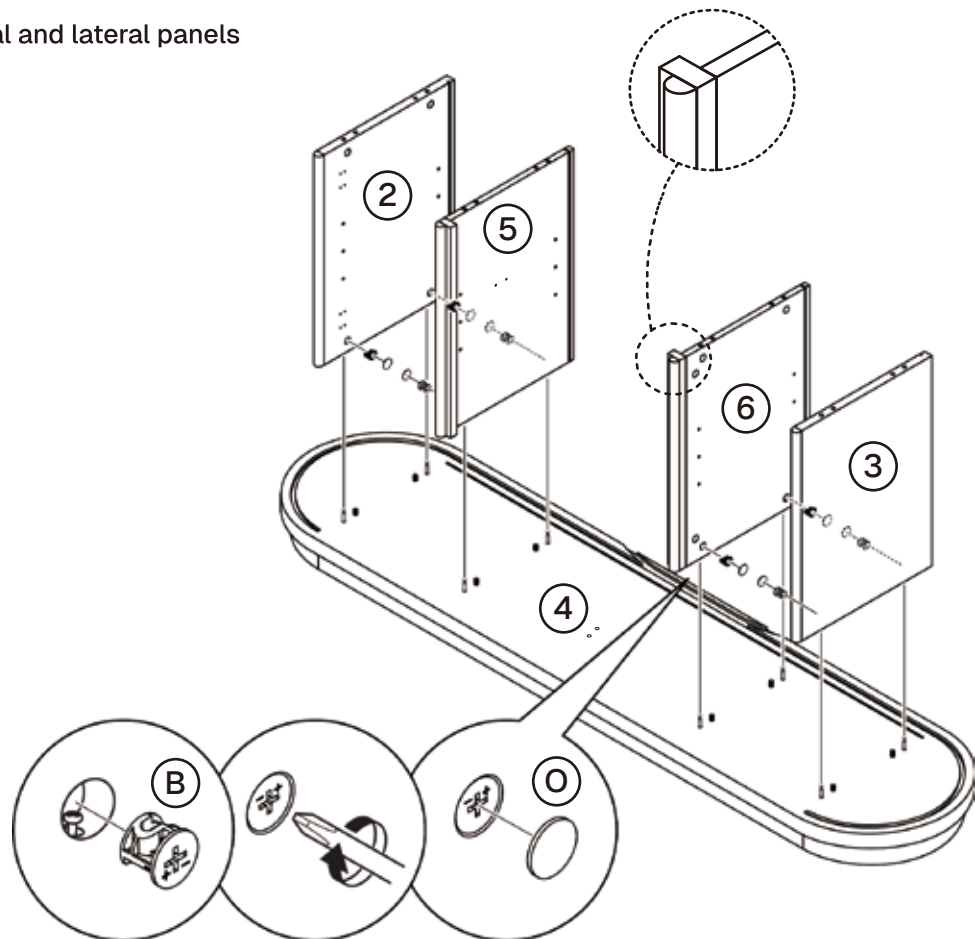
# 08 Attaching medial and lateral panels



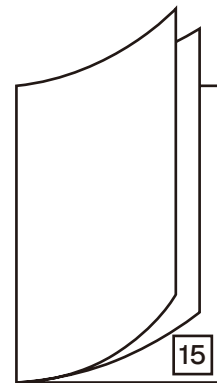
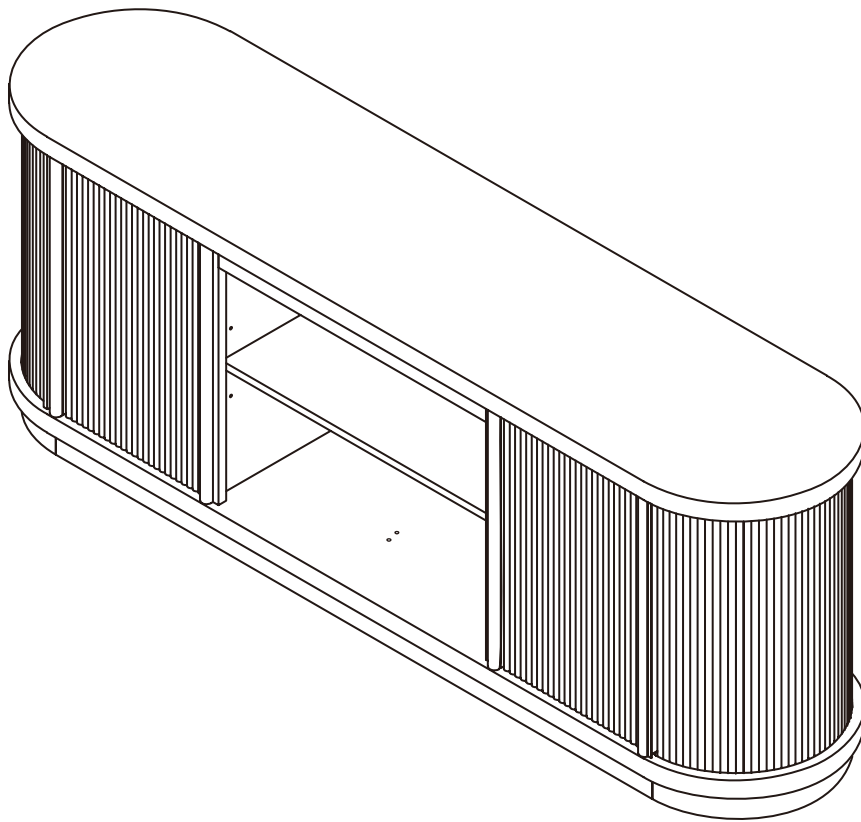
B 8x



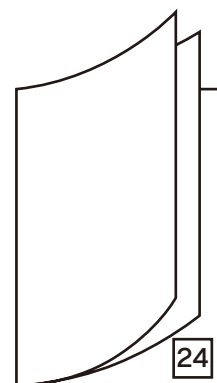
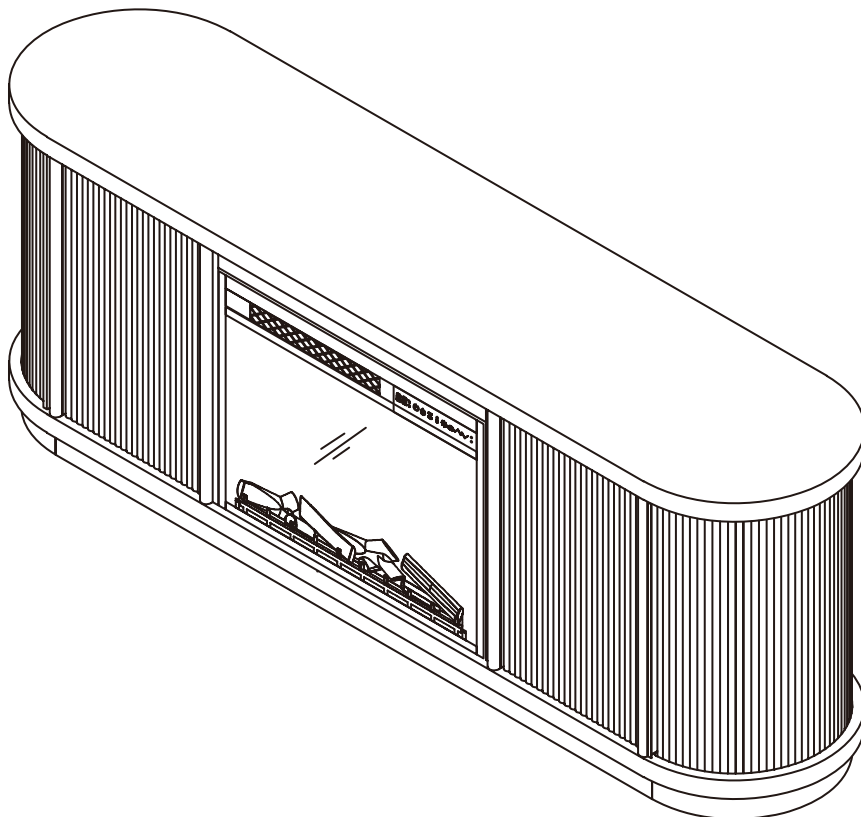
O 8x



**A** TV Stand

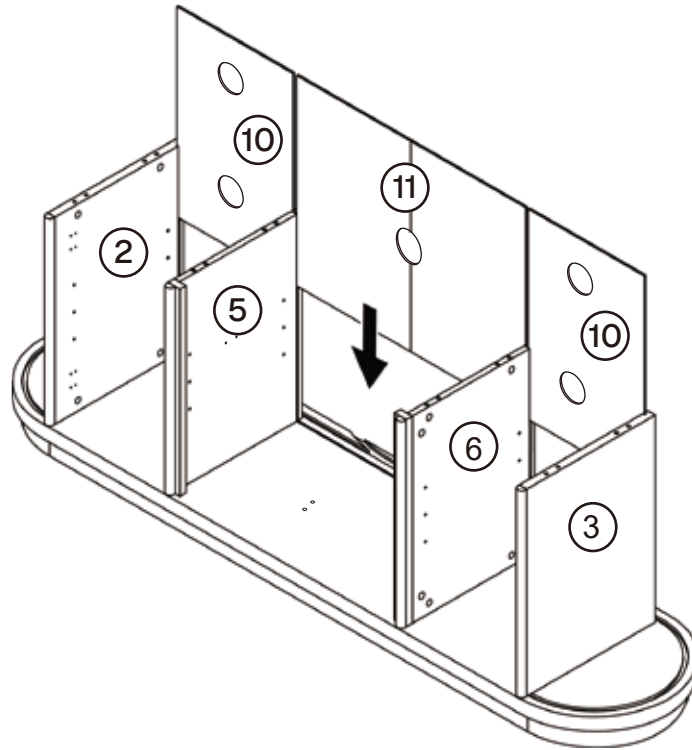


**B** Fireplace cabinet



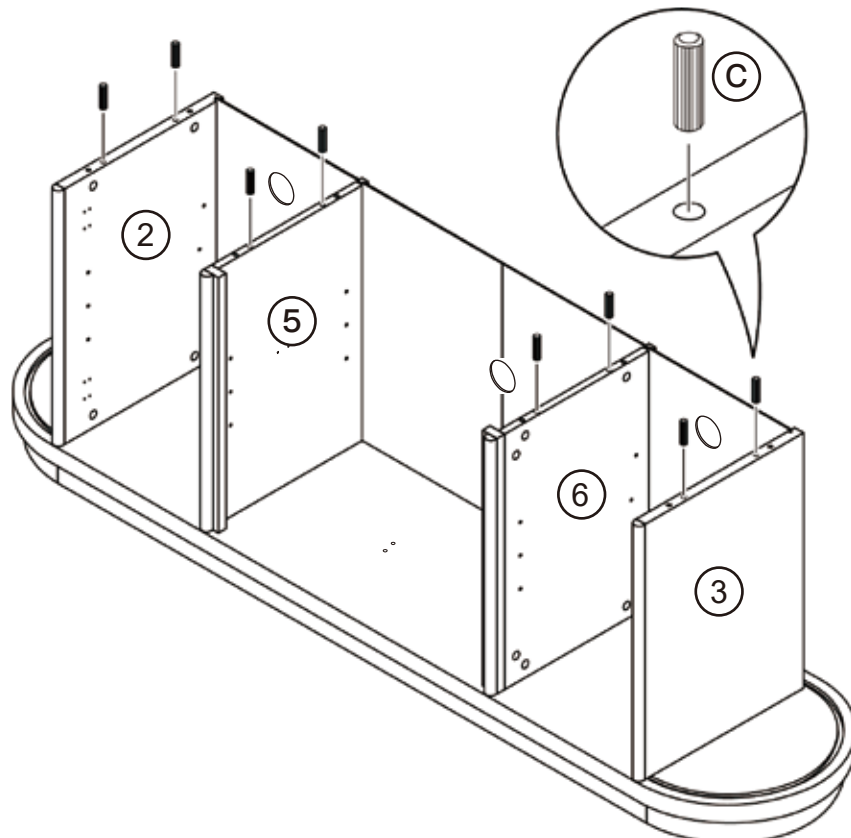
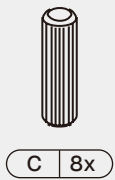
# 09

Sliding in back panels



# 10

Inserting wood dowels on medial and lateral panels



# 11

## Attaching top panel

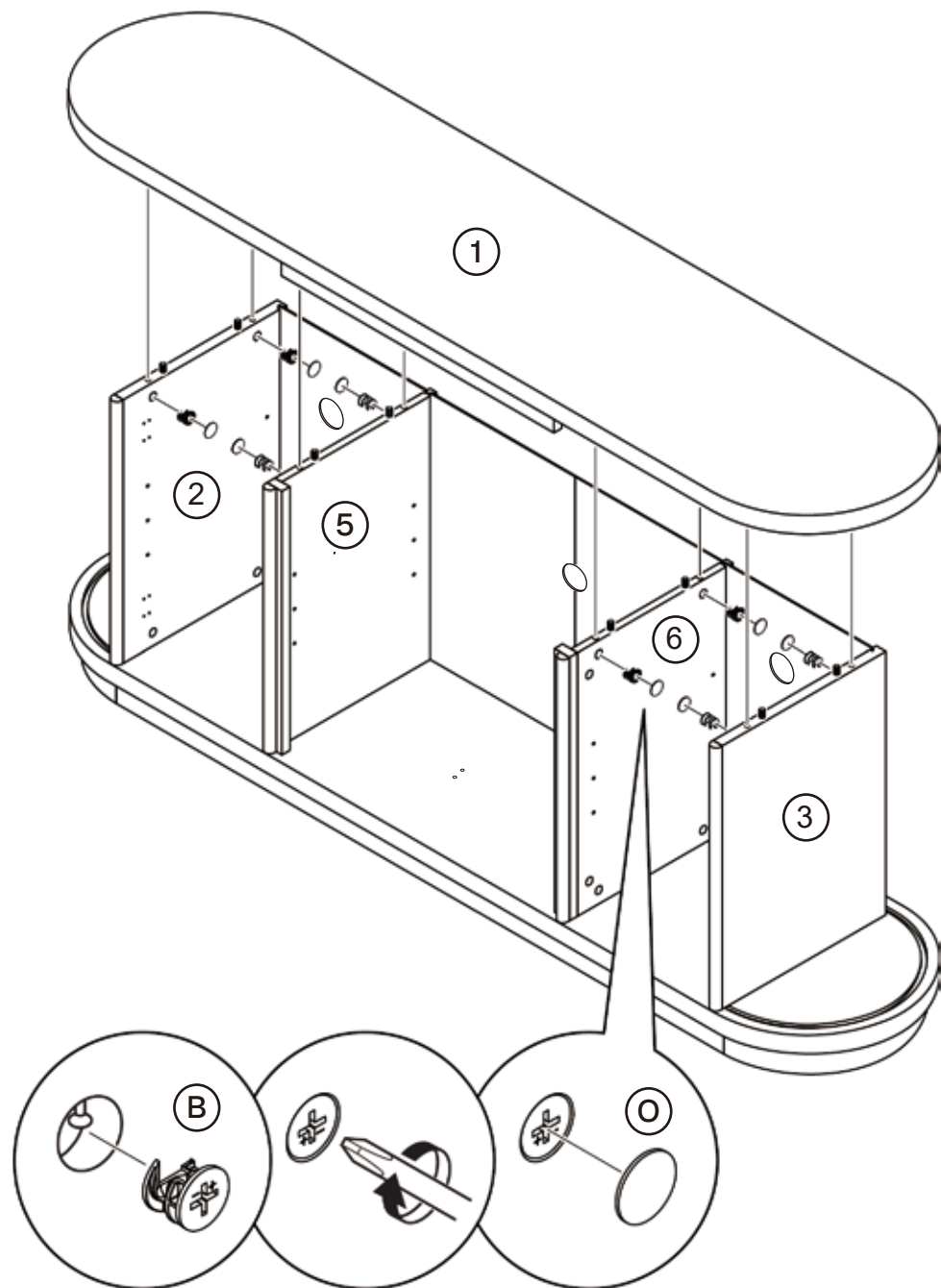


Ø15 x 11,5

B 8x



O 8x



# 12

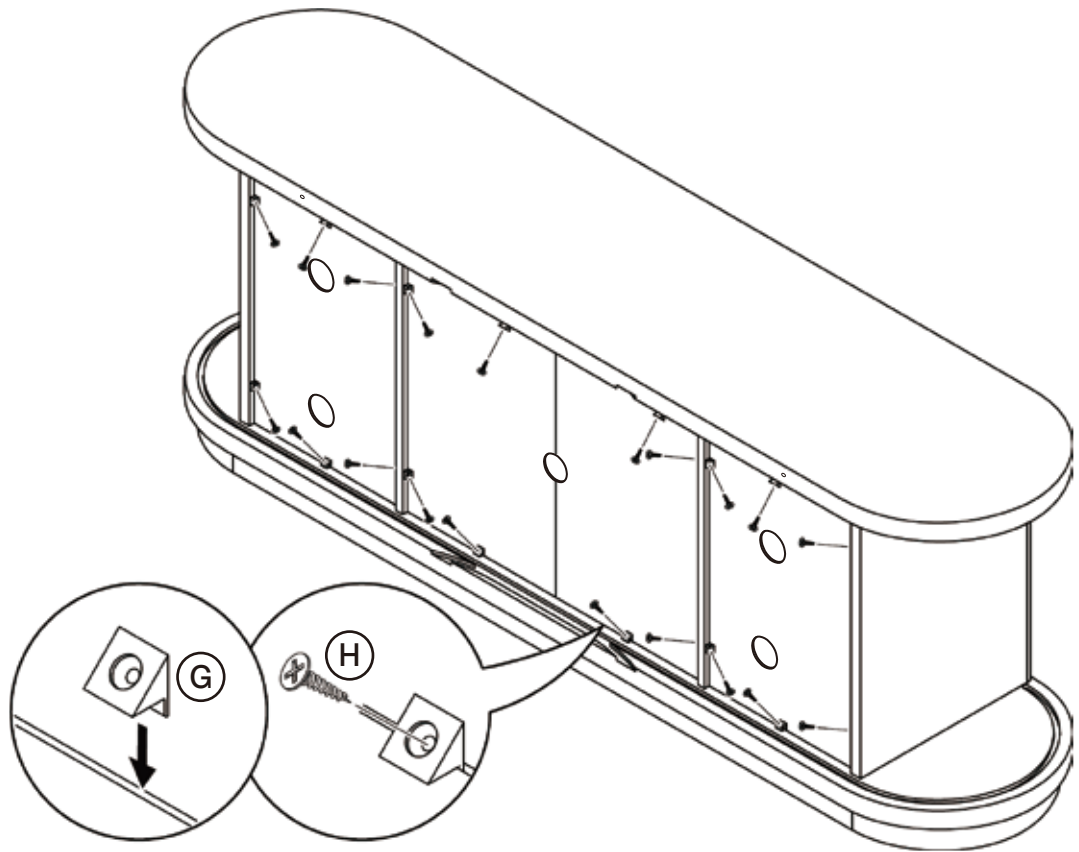
Securing back panels



G 20x

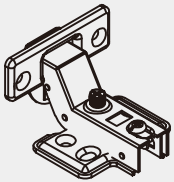


H 20x



# 13

Attaching door hinges



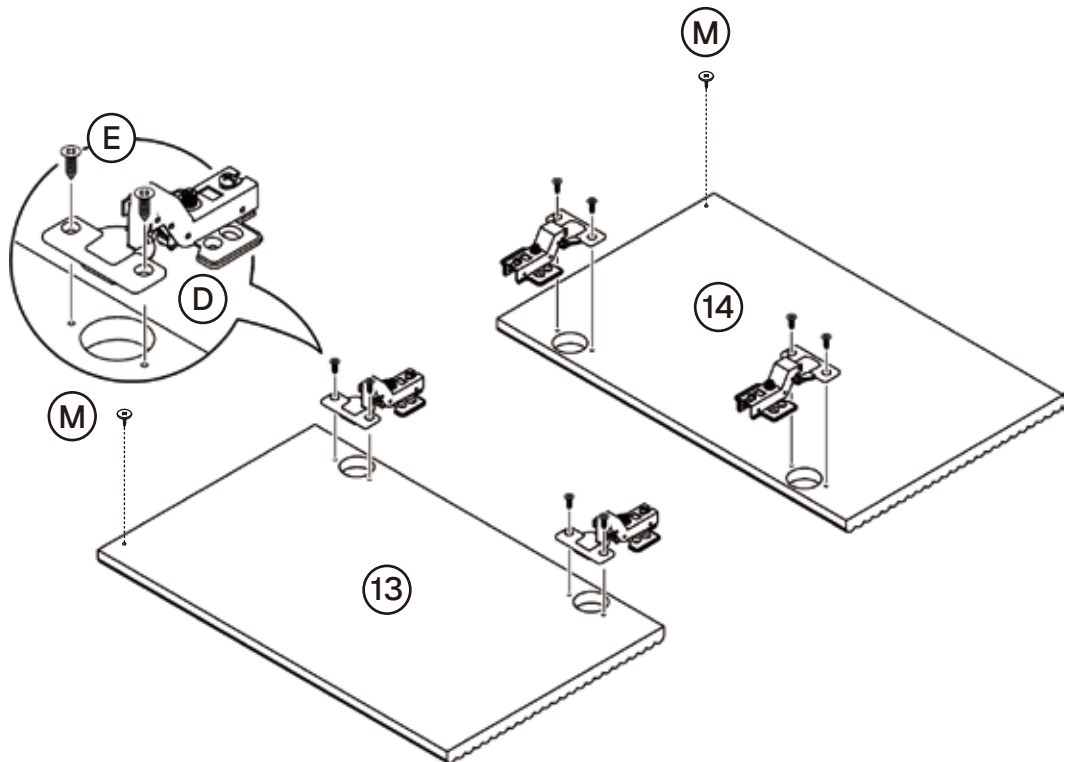
D 4x



E 8x



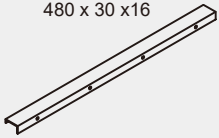
M 2x



# 14

Attaching sliding door handles

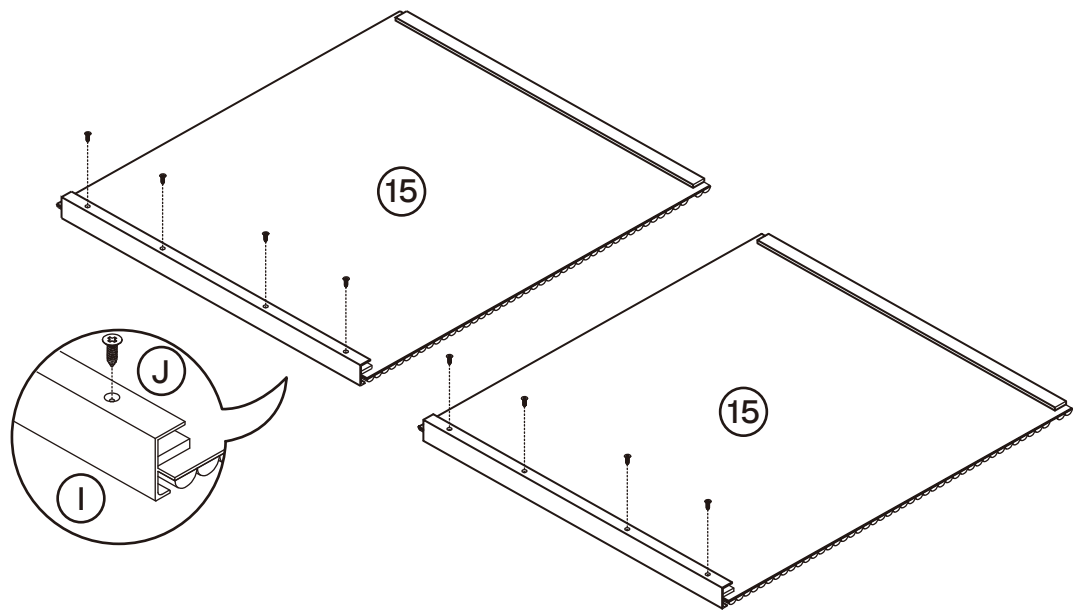
480 x 30 x 16



I 2x



J 8x

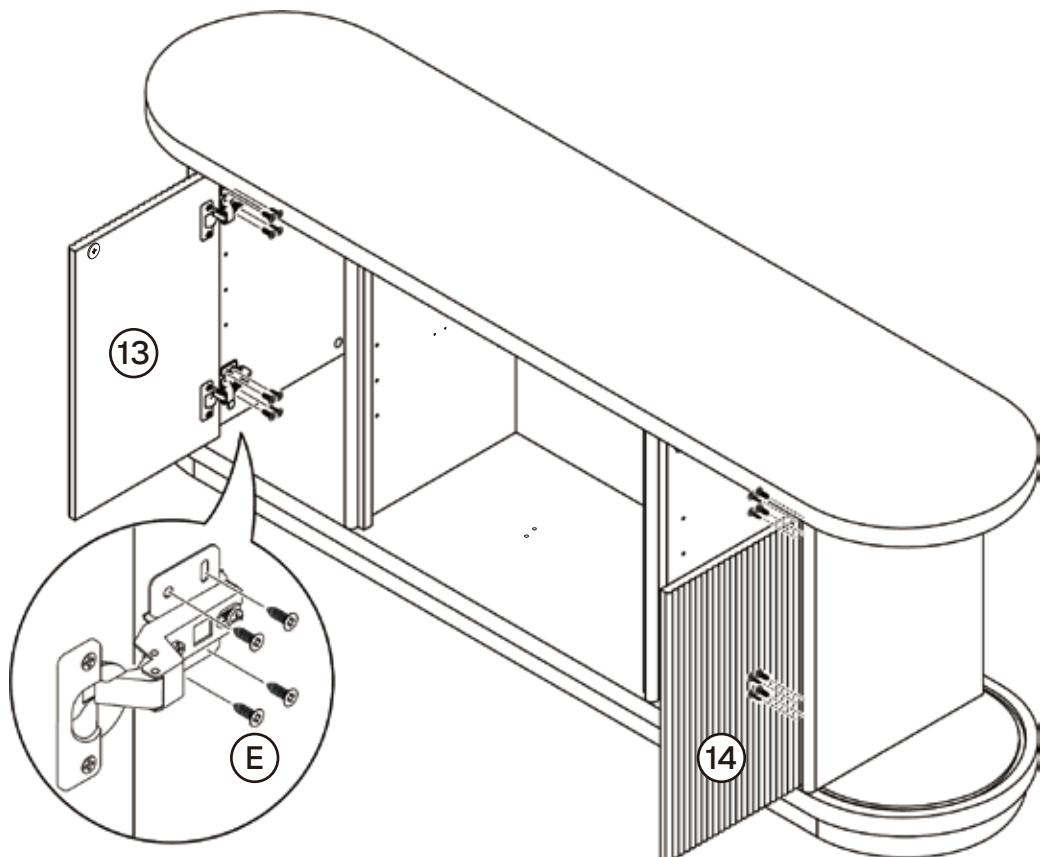


# 15

Attaching cabinet doors

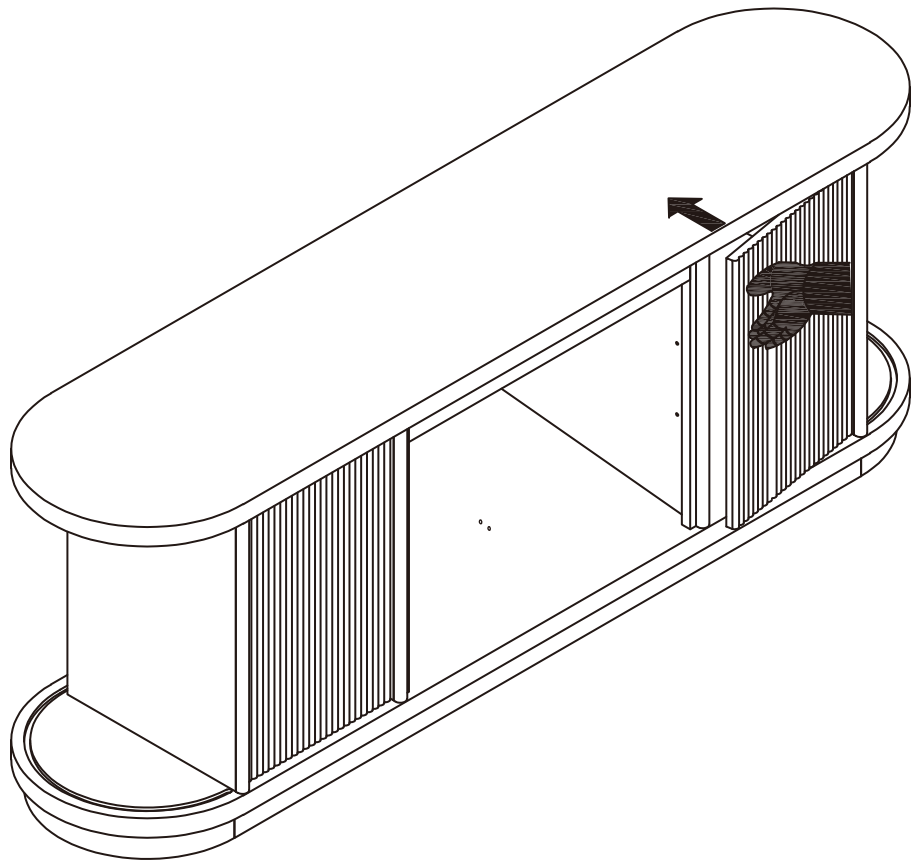


E 16x

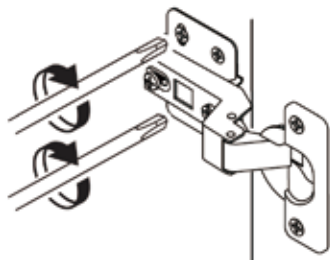
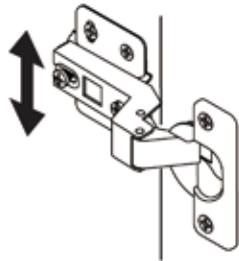
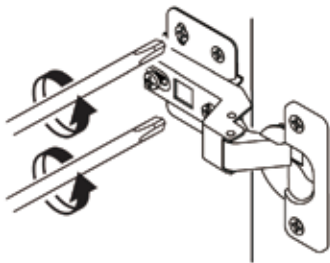
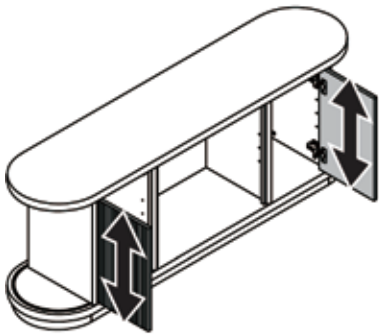


# 16

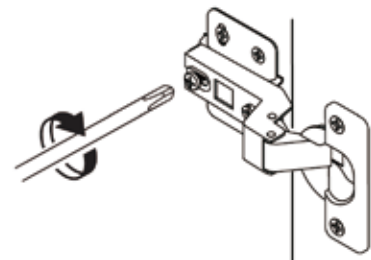
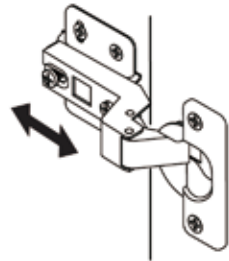
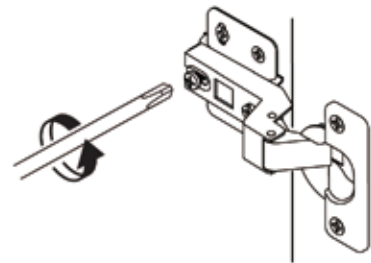
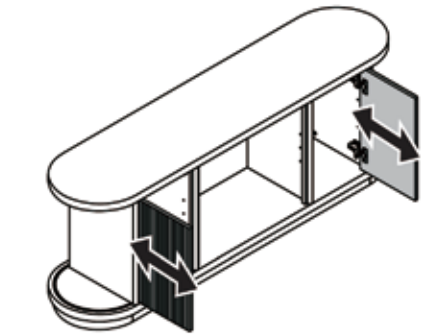
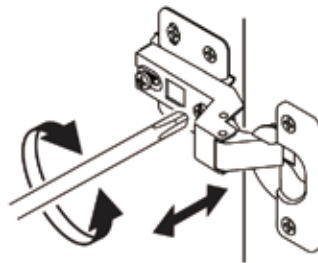
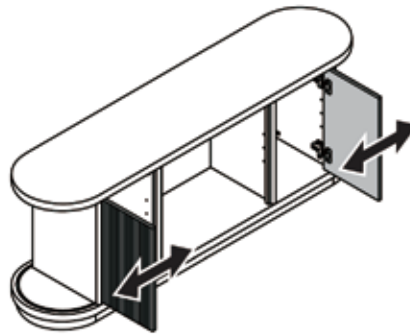
Rebound hinge, only need to gently press the doorpanel when opening the door.



**i**



Loosen the screws on the mounting plate to adjust the door **up and down**.



Adjust the screw on the hinge to micro-adjust the door from **side to side**.

Loosen the screws on the hinge arm to adjust the door **in and out**.

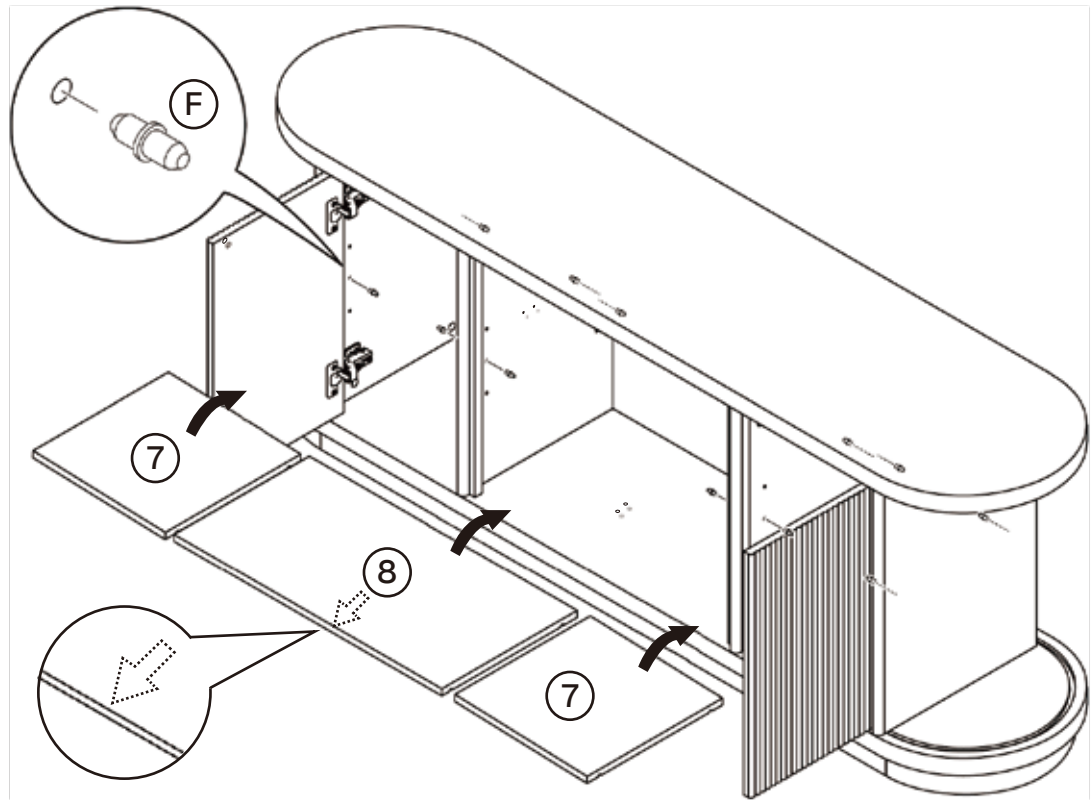
# 17

Inserting shelf pegs and putting on storage shelf panel



F 12x

★ Pay attention to the orientation of the Large Storage shelf panel(8).



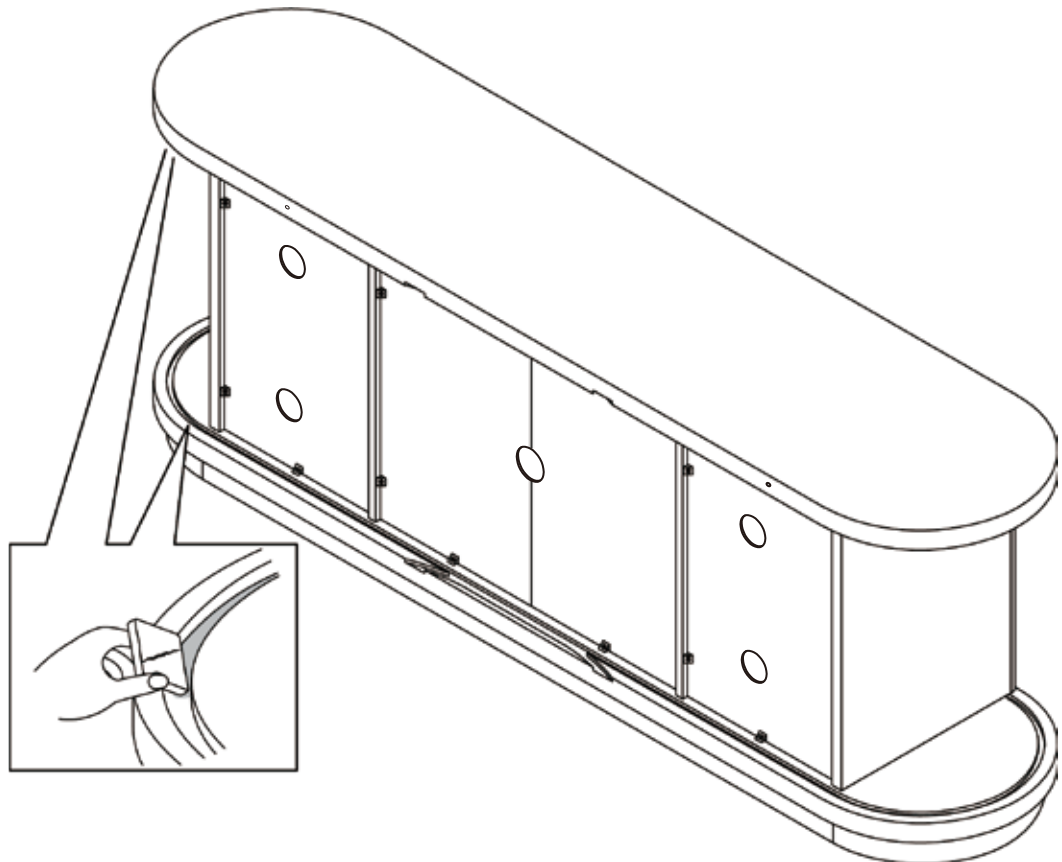
# 18

Applying wax

★ Wipe the wax on the sliding track.

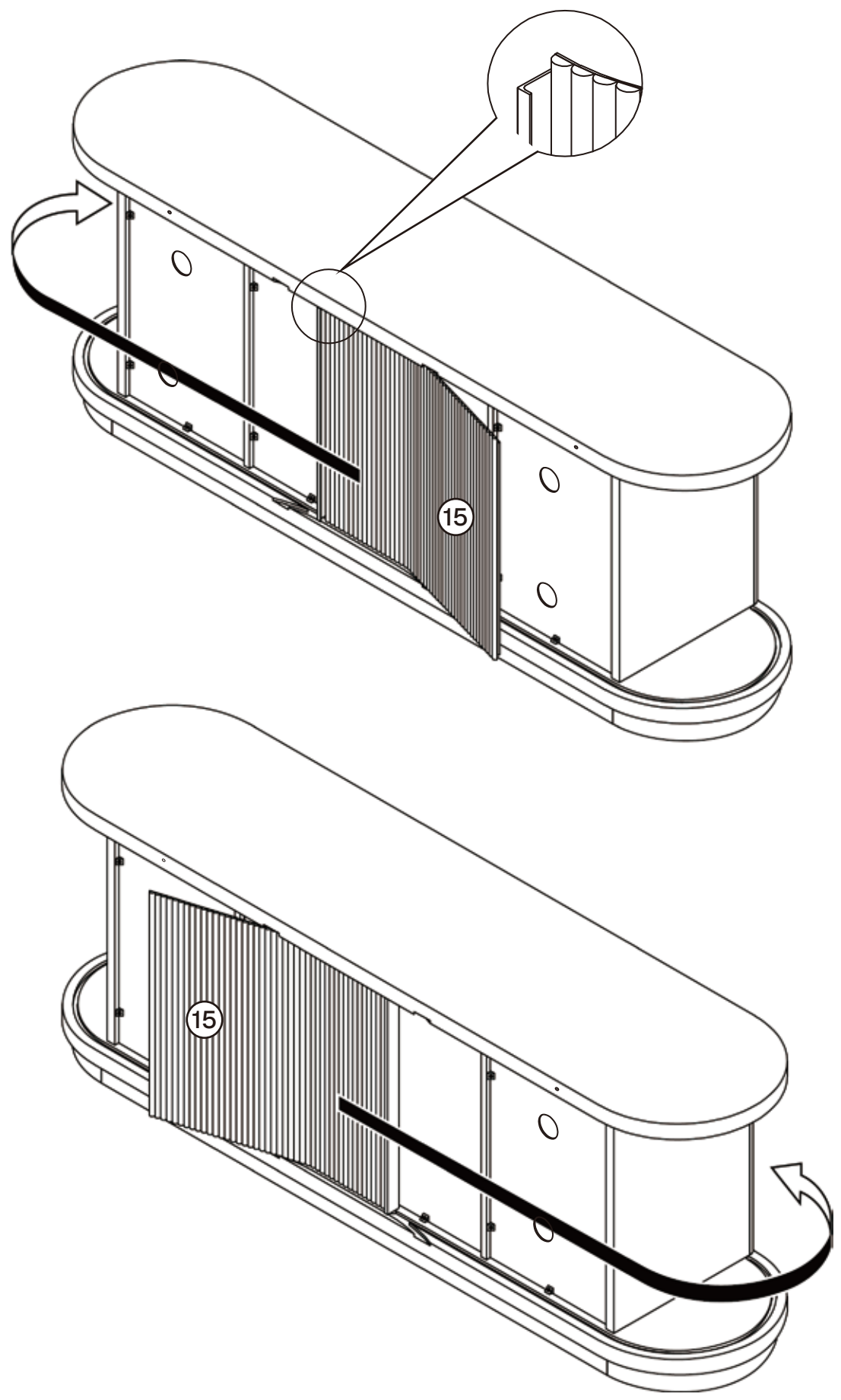


N



# 19

Sliding in sliding doors



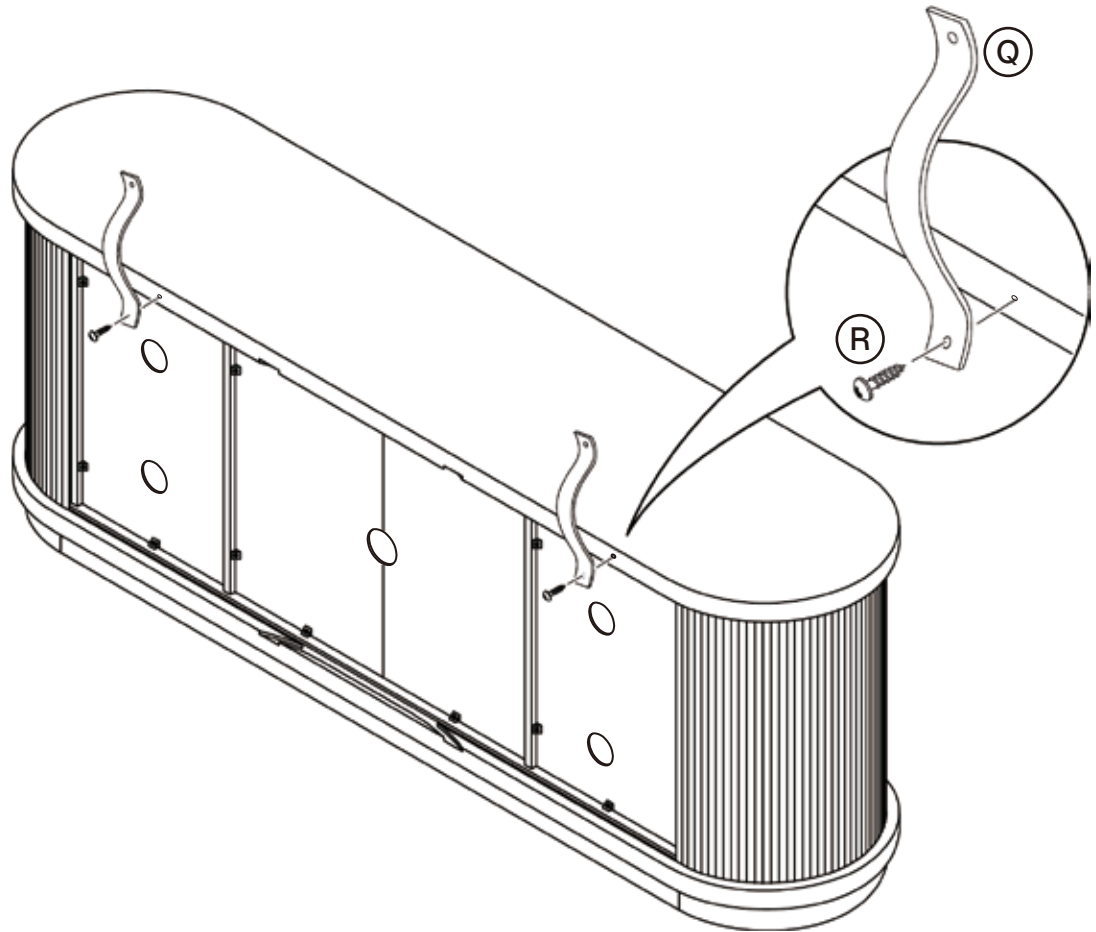
# 20 Attaching anti-tipping straps



Q 2x



R 2x



# 21

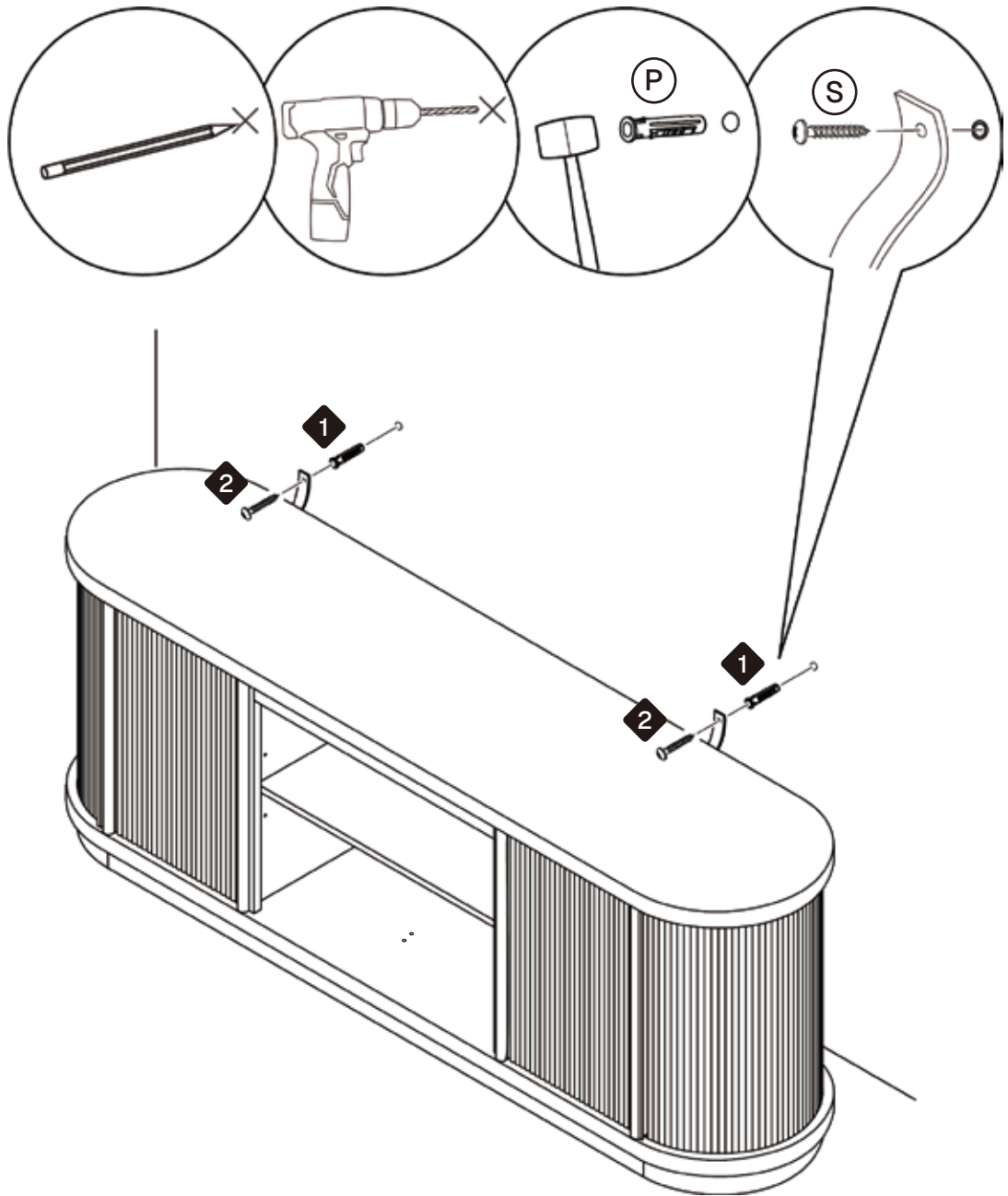
## Affixing the TV stand to a wall



P 2x



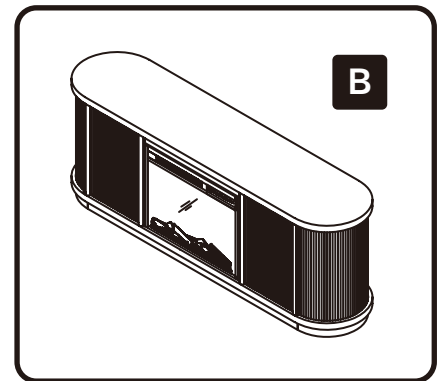
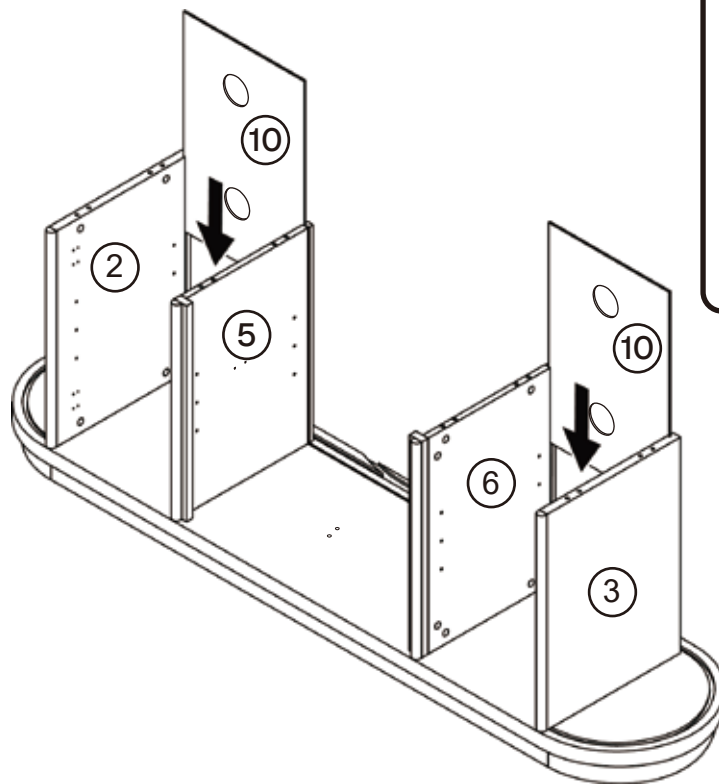
S 2x



- Serious or fatal crushing injuries may occur if the furniture tip-over. Furniture must permanently affixed to the wall with anti-tipping device(s) in order to prevent the furniture from tipping over.

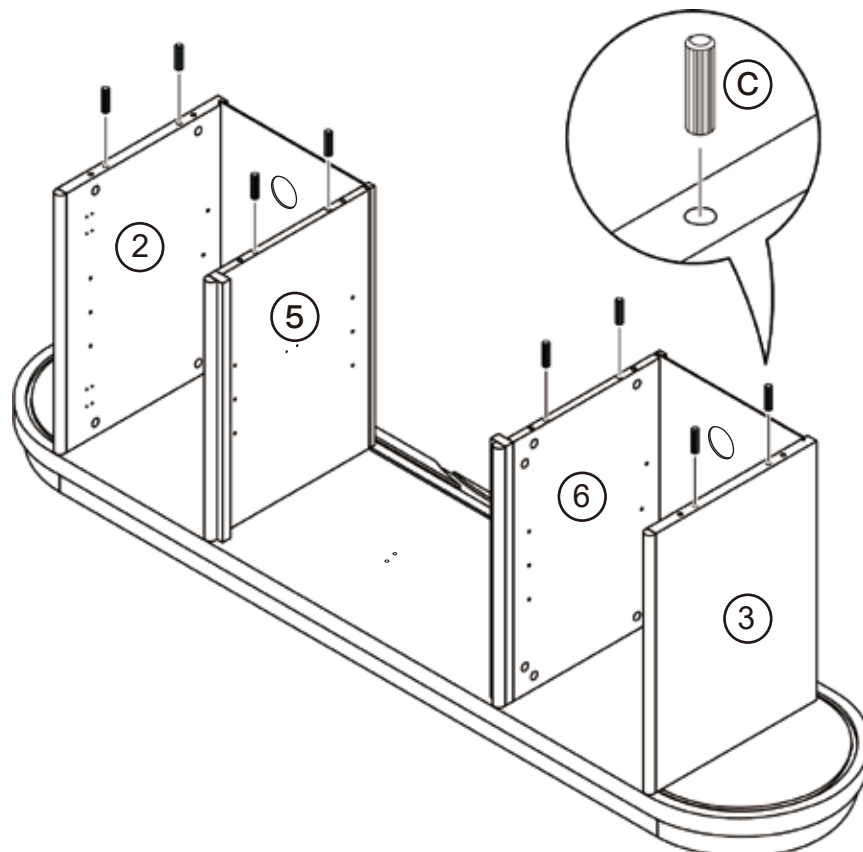
# 09

Sliding in back panels



# 10

Inserting wood dowels on medial and lateral panels



# 11

## Attaching top panel

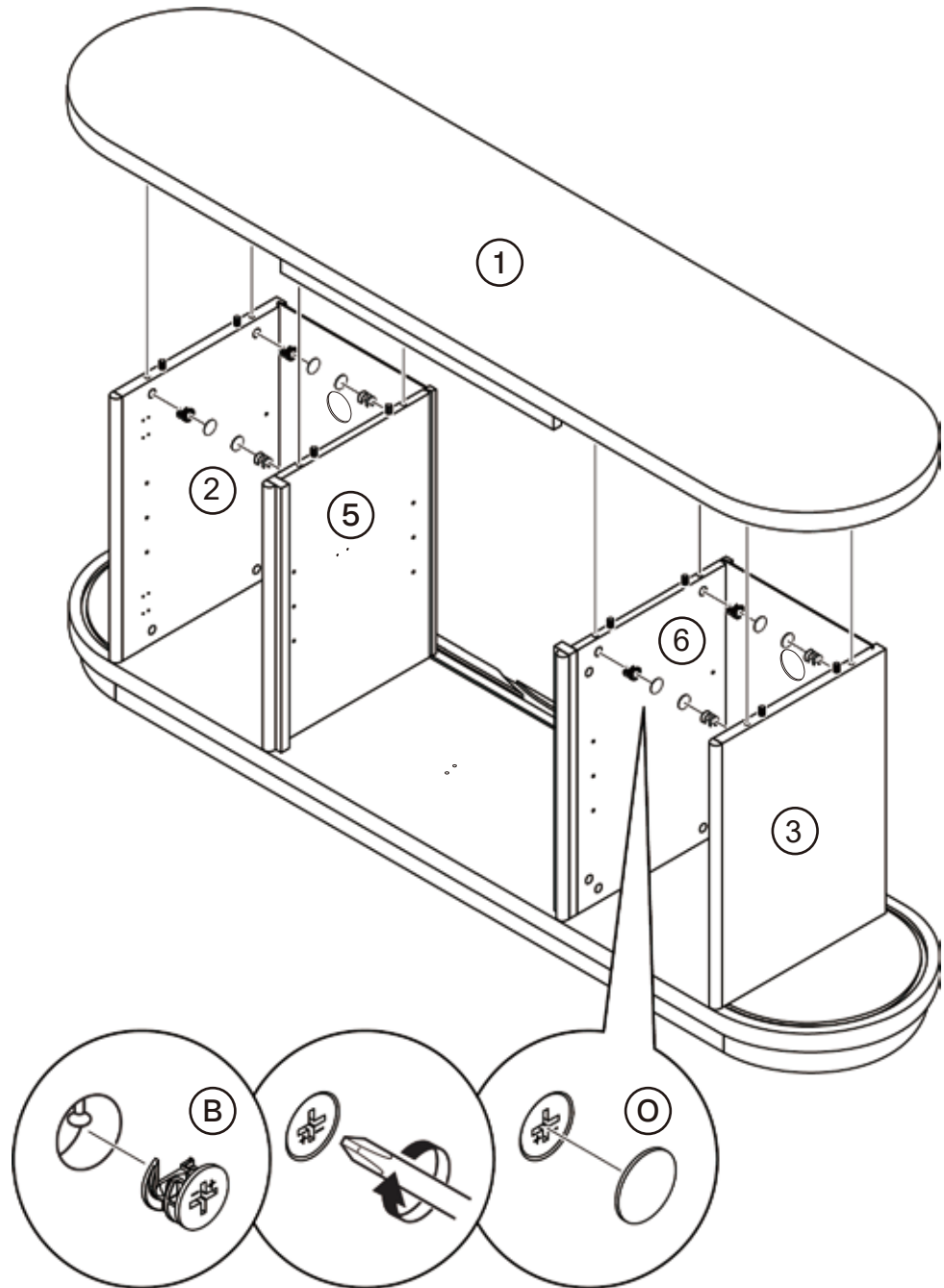


ø15 x 11,5

B 8x



O 8x



# 12

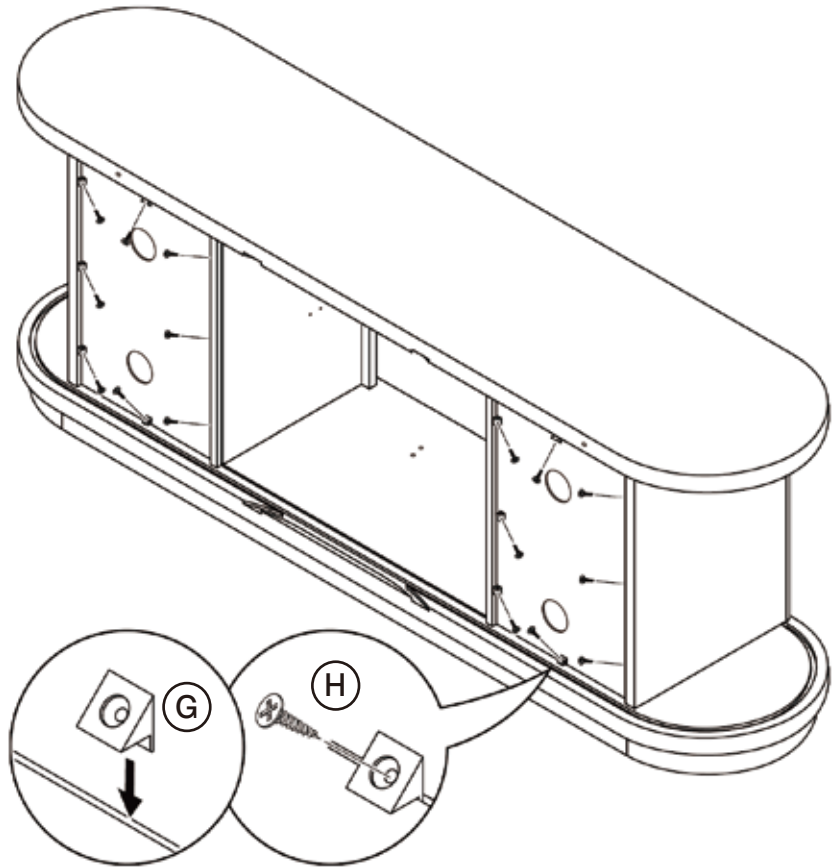
Securing back panels



G 16x

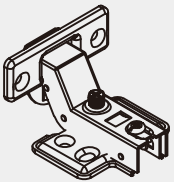


H 16x



# 13

Attaching door hinges



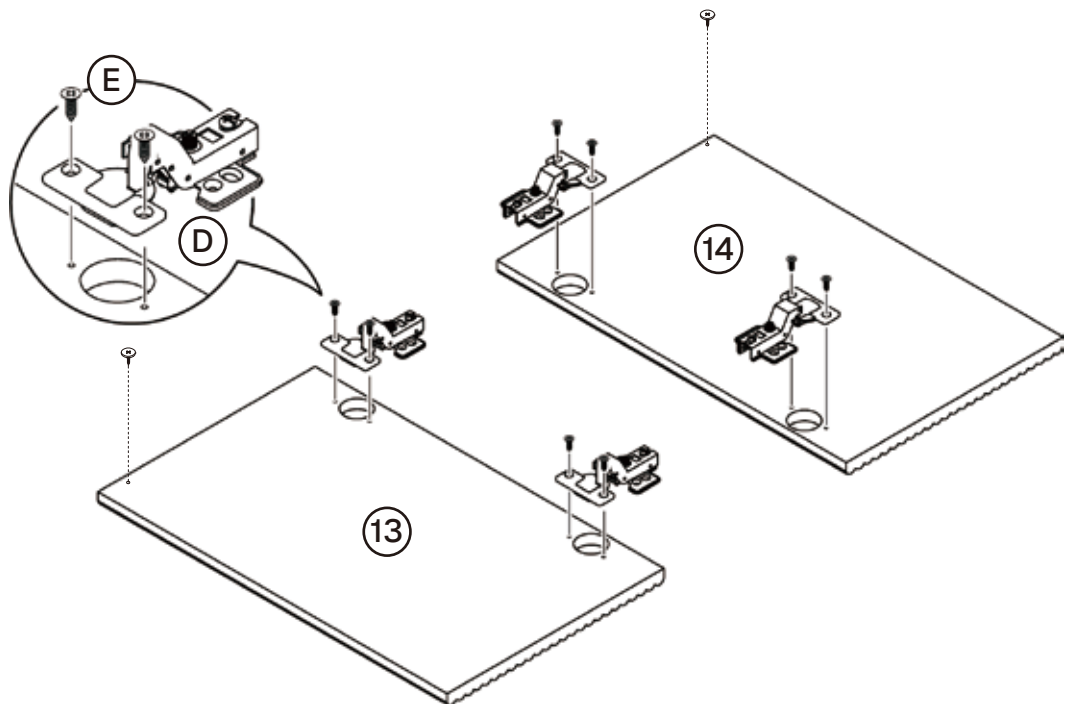
D 4x



E 8x



M 2x



# 14

Attaching sliding door handles

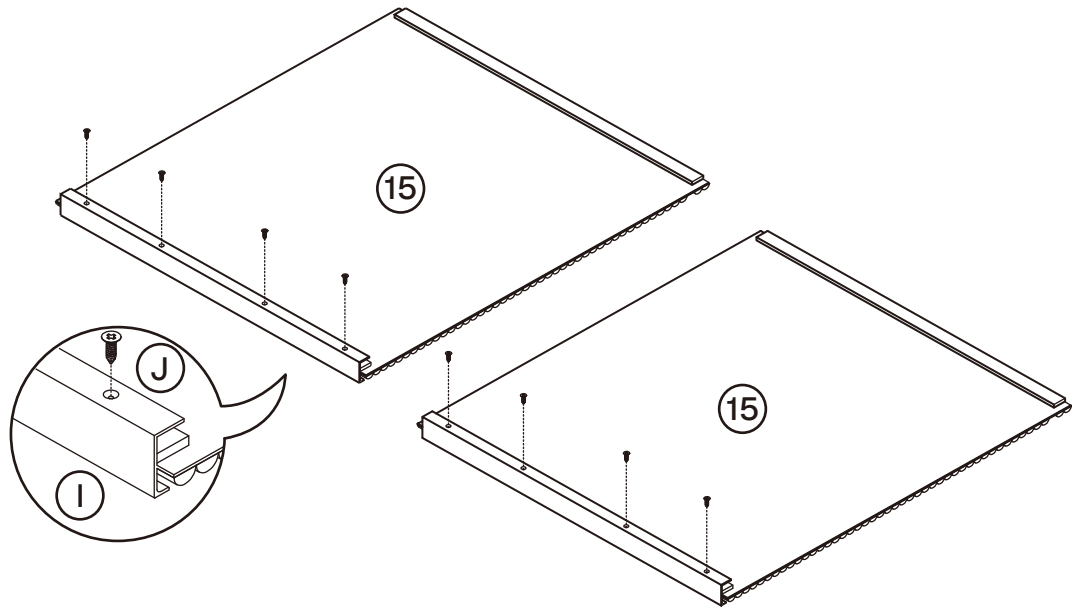
480 x 30 x 16



I 2x



J 8x

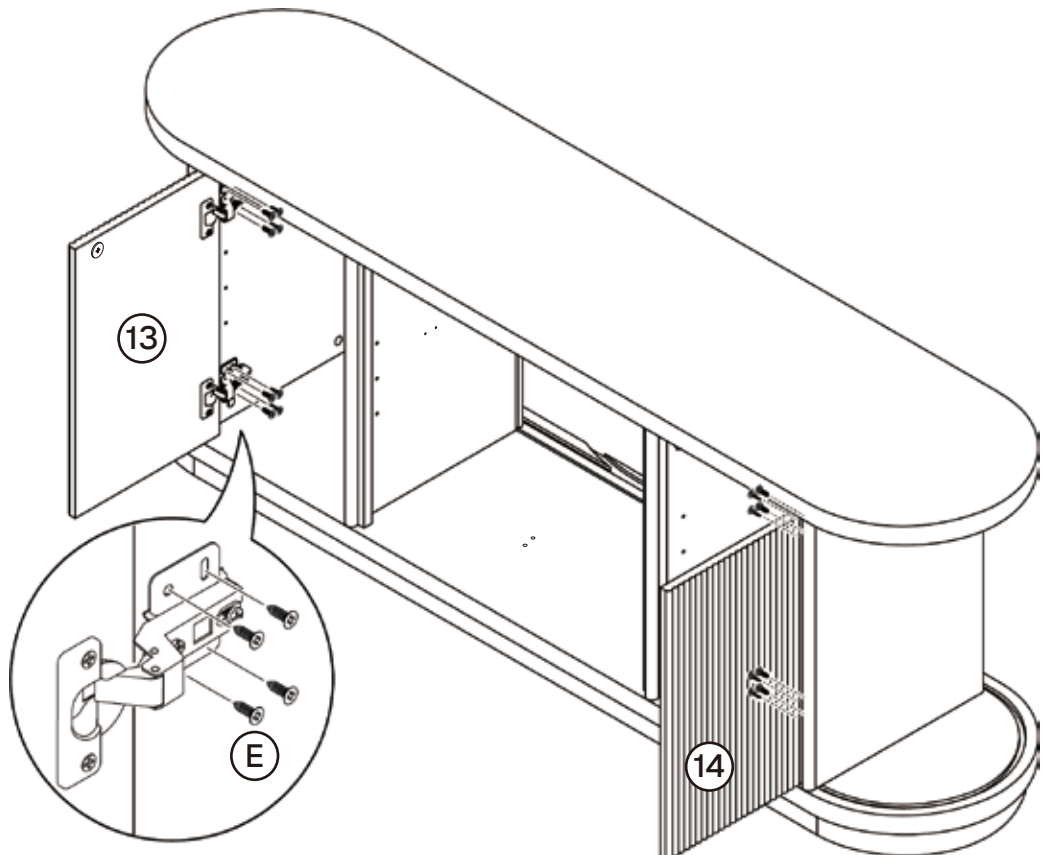


# 15

Attaching cabinet doors

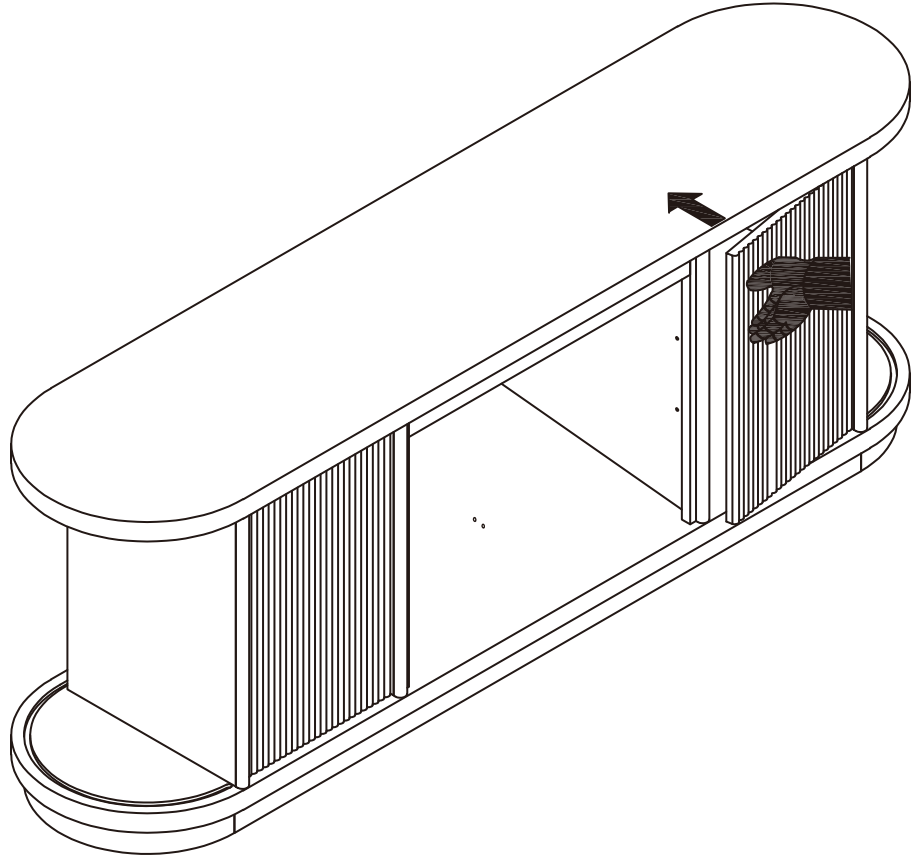


E 16x



# 16

Rebound hinge, only need to gently press the doorpanel when opening the door.

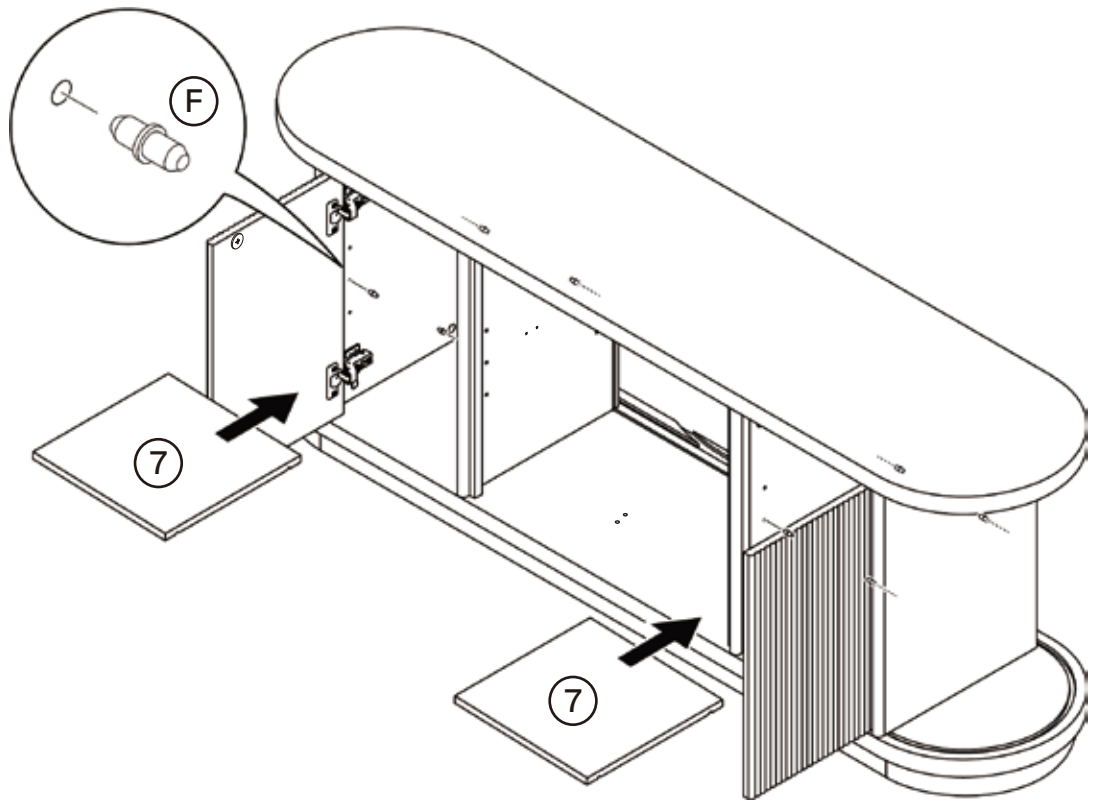


# 17

Inserting shelf pegs and putting on storage shelf panel



F 8x



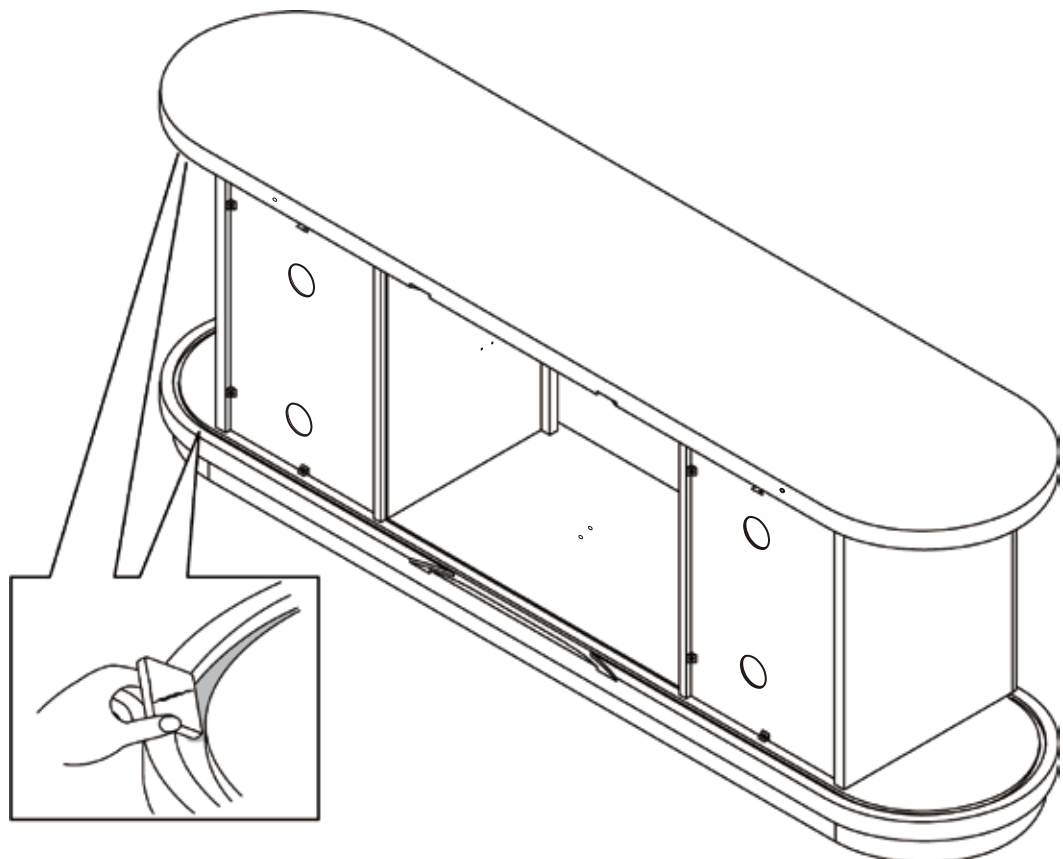
# 18

Applying wax

★ Wipe the wax on the sliding track.

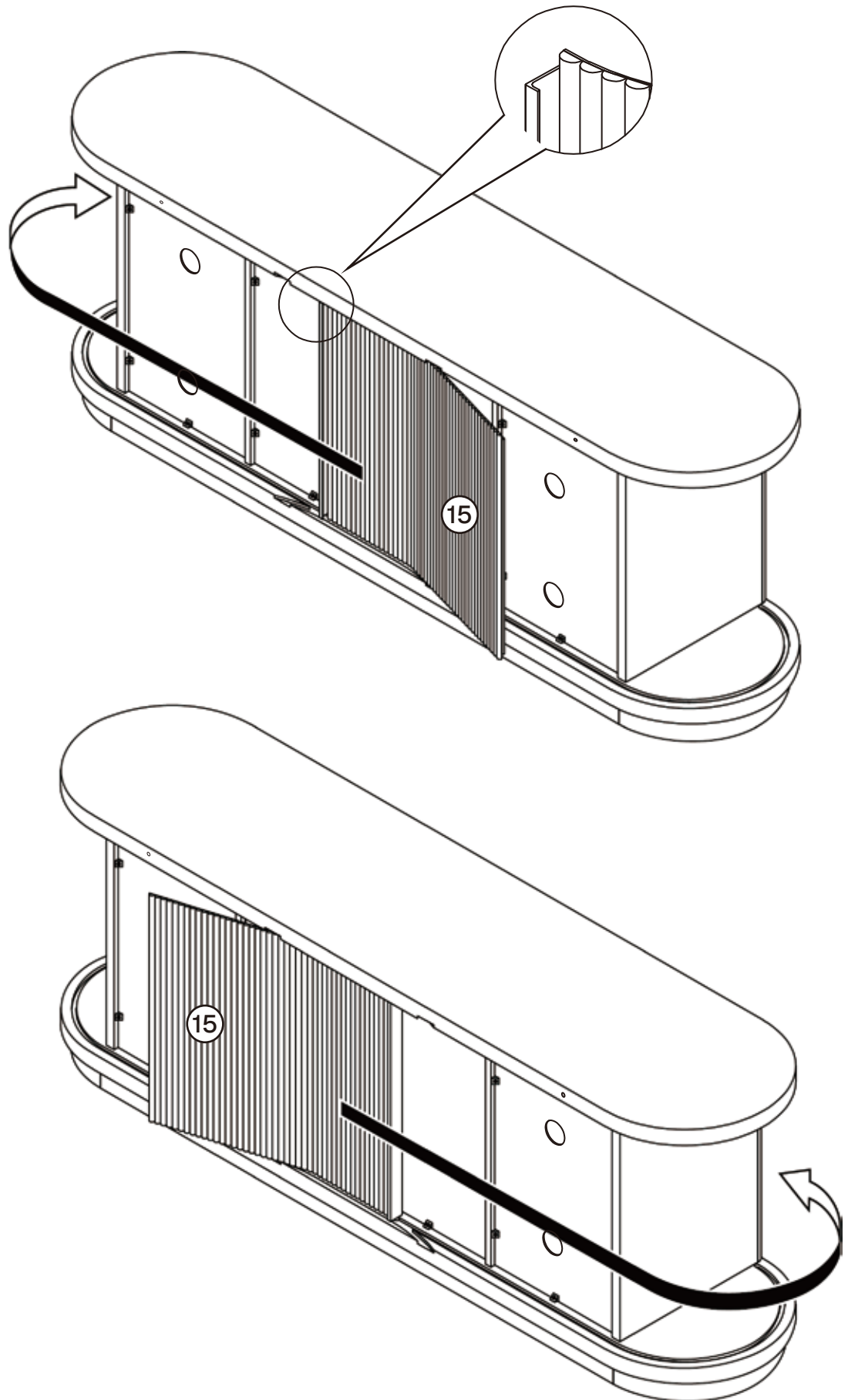


N



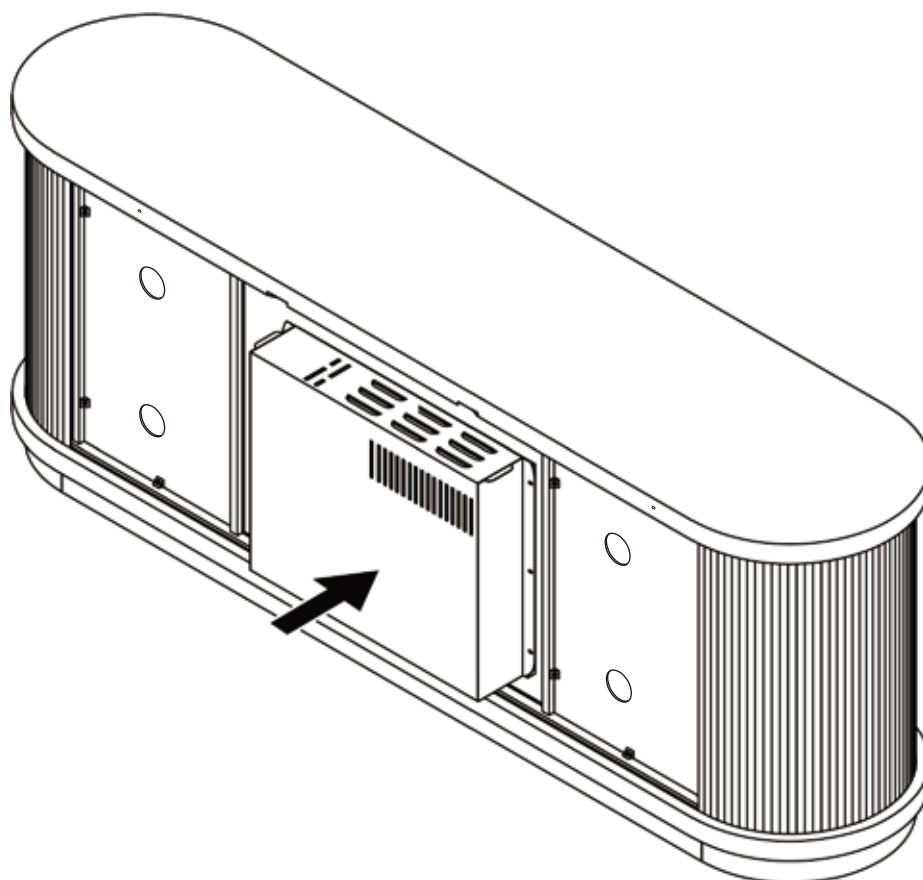
# 19

Sliding in sliding doors

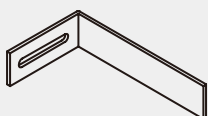


## 20 Installing fireplace heater

★ Do not attempt to install the fireplace unit from the front of the mantel. It will not fit.



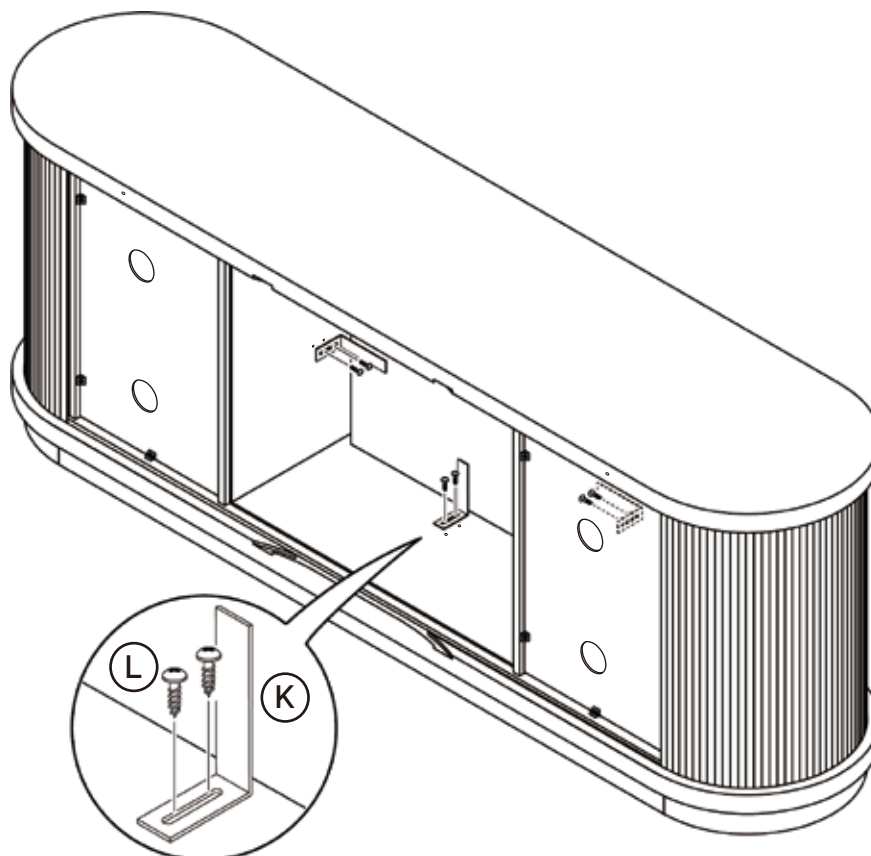
## 21 Securing fireplace heater in place



K 3x



L 6x



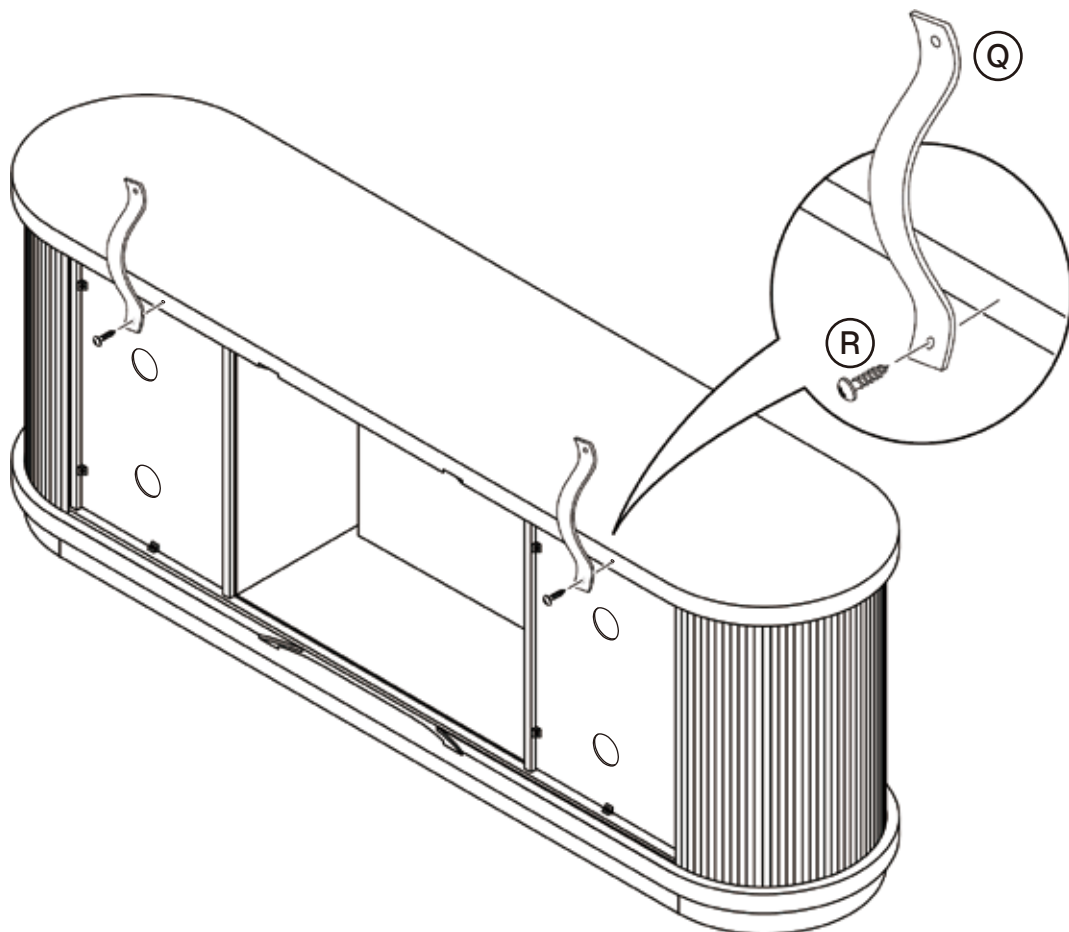
# 22 Attaching anti-tipping straps



Q 2x



R 2x



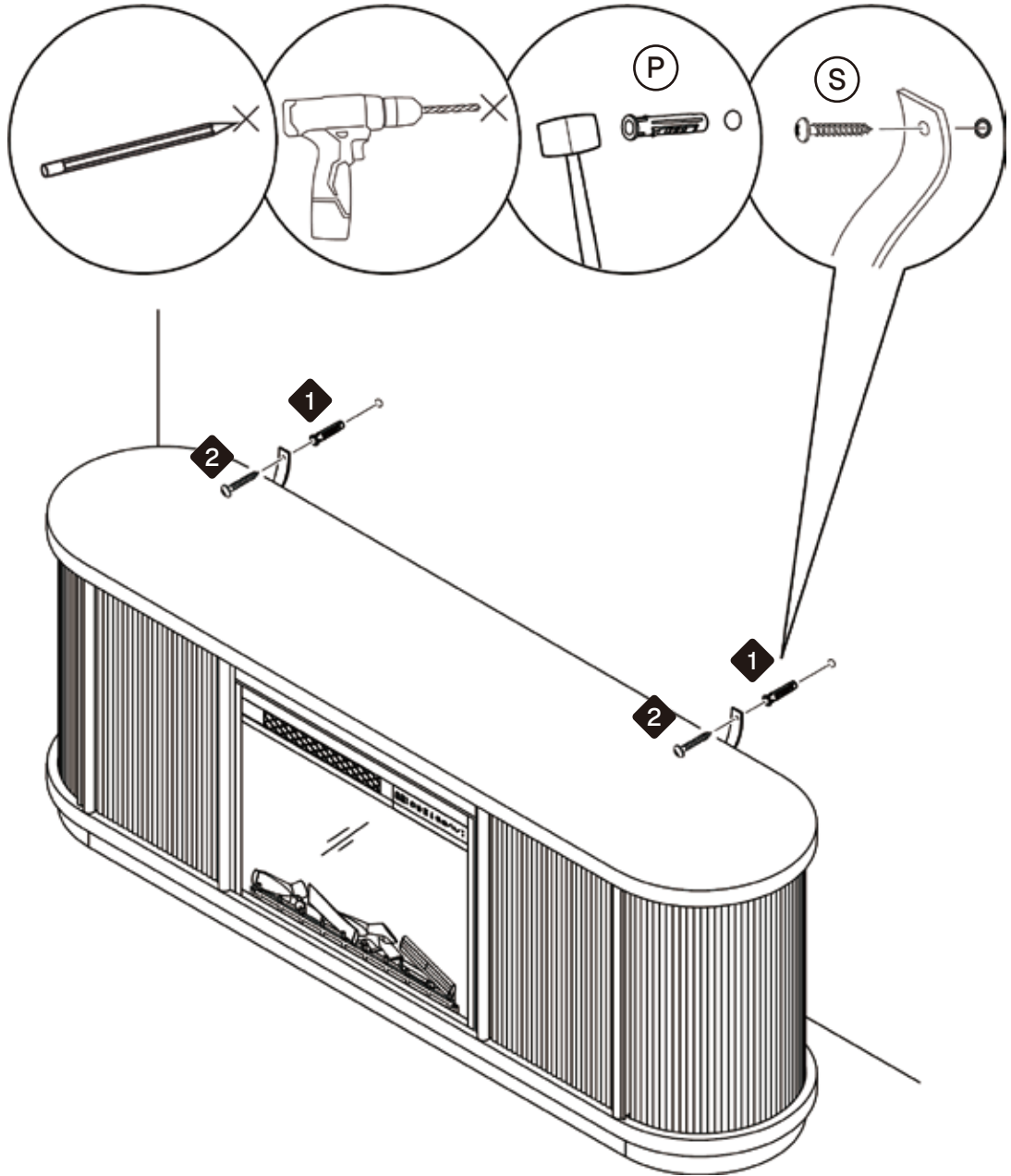
# 23 Affixing the TV stand to a wall



P 2x



S 2x



- Serious or fatal crushing injuries may occur if the furniture tip-over. Furniture must permanently affixed to the wall with anti-tipping device(s) in order to prevent the furniture from tipping over.

## Care and Maintenance

Thank you for your purchase. We want your item to last as long as possible. To ensure the product gives you years of longevity, please follow the recommendations in this care and maintenance guide.



### Maintenance

- Tighten all bolts and crews again within the first 2 weeks of assembly.
- Check the tightness of all bolts every 2 months and re-tighten them if they come loose.



### Cleaning

- Clean the surface of the MDF (medium density fiberboard) with a lightly dampened cloth.
- A small amount of mild soap can be used if necessary.
- Dry the surface immediately after cleaning.



### Attention

DO NOT use bleach or alcohol based cleaner to clean the surface.  
DO NOT apply wood treatment on parts made with MDF.

MDF will swell and distort when exposed to water damage.  
Make sure to dry the furniture immediately after cleaning.



### Attention

The manufacturer and seller are not responsible for any and all liability relating to personal injury, property damage or losses, whether direct, indirect, or incidental, resulting from the incorrect attachment, improper use, inadequate maintenance, unapproved modification or neglect of the product.



## **WARNING**

For use with televisions weighing 70lbs (31.8kg) or less. Use with heavier televisions may result in instability, causing tip over resulting in death or serious injury.

Death or serious injury may occur when children climb on audio and/or video equipment furniture. A remote control or toys placed on the furnishing may encourage a child to climb on the furnishing and as a result the furnishing may tip over on to the child.

Relocating audio and/or video equipment to furniture not specifically designed to support audio and/or video equipment may result in death or serious injury due to the furnishing collapsing or over turning onto a child.



## **NOTICE**

The recommended maximum width of the television is 75 inches. Do not exceed the maximum load capacity.

This product is designed for flat panel TVs only.

## Warranty

The product comes with a 1-year warranty from the date of delivery.  
Register your product on our website to enjoy our limited lifetime warranty!

## After-Sale Service



Encounter any difficulties or missing parts?



We will send you replacement.



Hassle free!  
No need to worry about repackaging and sending your item back.