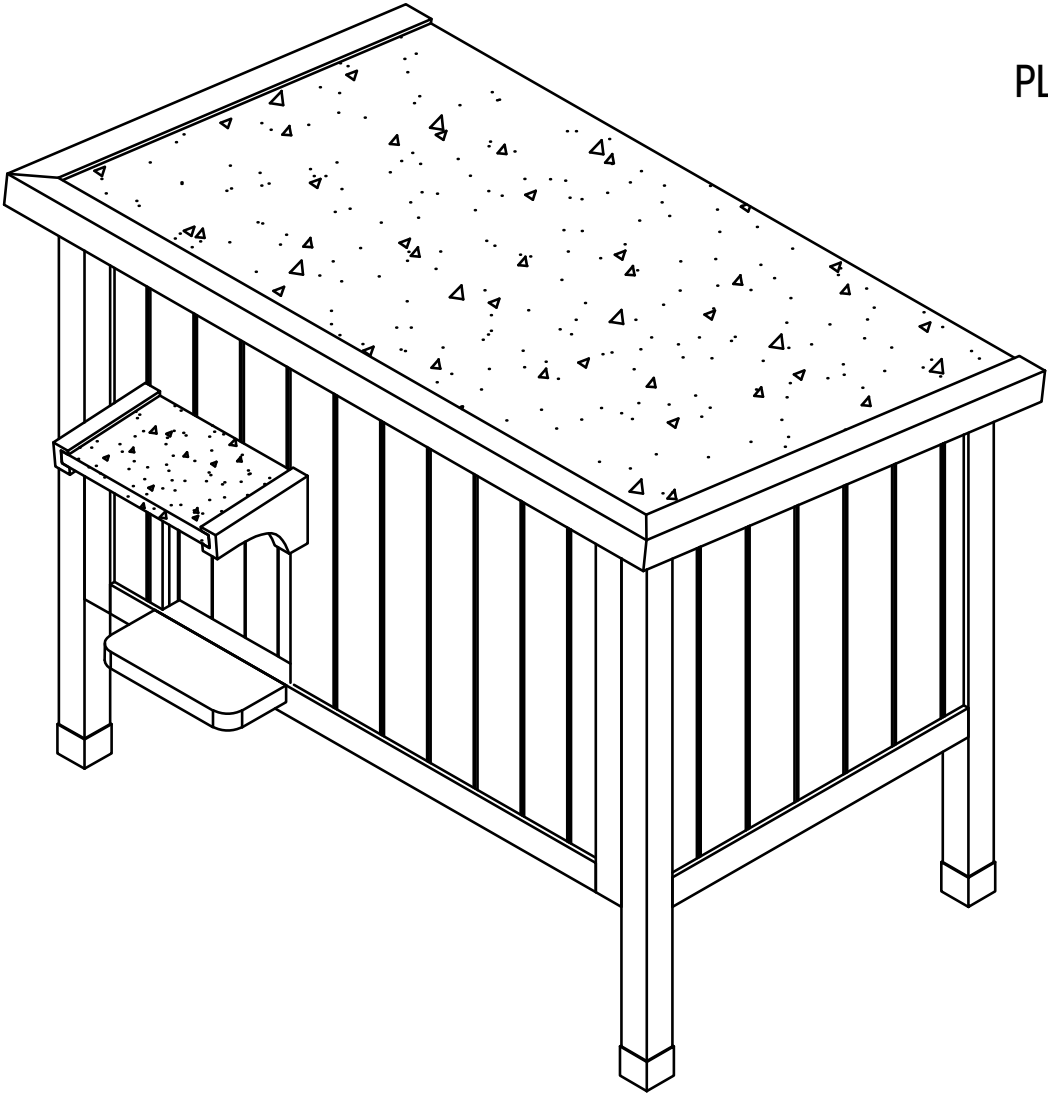


ASSEMBLY INSTRUCTIONS
PLEASE RETAIN THESE INSTRUCTIONS FOR FUTURE USE



TIME: 20-40 minutes



NUMBER OF PEOPLE: 2

Greeting!
So here I am

your new pet house

- ▶ Thanks for letting me be a home for your furry friend(s).
- ▶ They'll be cozy and protected from the weather when they're with me.
- ▶ Just remember to take care of me too, so I can last a long time.
- ▶ When you open the box, you might smell a funny smell. Don't worry, it's not dangerous, just let me ventilate for a few days and the smell will go away.
- ▶ Be careful when you assembling together because some of my parts can be sharp or heavy.
- ▶ Make sure all the screws are tight during installation and double-check that they're all secure before using me.
- ▶ If you notice anything broken or missing, stop using me until it's fixed. and please follow the instructions from my maker so your warranty stays good.
- ▶ You can use me indoors or outdoors, but if you place me outside, please remember to protect me from prolonged exposure to rain.
- ▶ If it's raining heavily, be sure to cover me to ensure my longevity.
- ▶ Remember to place and use me on a flat surface to make sure it's put together correctly and works well.
- ▶ Keep me away from fire and dangerous chemicals.
- ▶ Clean me with a damp, soapy sponge without corrosive agents.
- ▶ Dry me with a soft, clean, dry cloth.
- ▶ Do not cleaning me with high pressure.
- ▶ Do not put bleach, acids, solvents, or abrasive cleaners on me.
- ▶ Check that all my bolts, screws, and knobs are tight every 90 days.



HELP CENTER

- ▶ Your full satisfaction is our **FIRST** priority
- ▶ We hope you enjoy it and have a good shopping experience.
- ▶ We are committed to resolve any issue when the item does not meet your expectations.
- ▶ Please feel free to contact us through order detail page, we will get back to you and solve them within 24 hours.



WARNING:

Manufacturer and seller expressly disclaim any liability for personal injury, property damage or loss, whether direct, indirect, or incidental, resulting from incorrect attachment, improper use, inadequate maintenance or neglect of this.

Insert ⑨ Bottom panel slantly.

STEP 5

C M3*18 6PCS

Insert ⑩ Divider panel.

STEP 6

C M3*18 4PCS R 1PC

This side is fixed on the roof

Fix ⑪ Roof with screws.

STEP 7

This side is fixed on the Right panel

Fix (R) Metal support on ⑤ Right panel and ⑪ Roof with screws.

STEP 8

ASSEMBLY INSTRUCTION




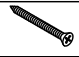

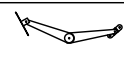
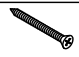
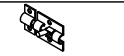
Tool Required: Electric Drill Phillips Screwdriver

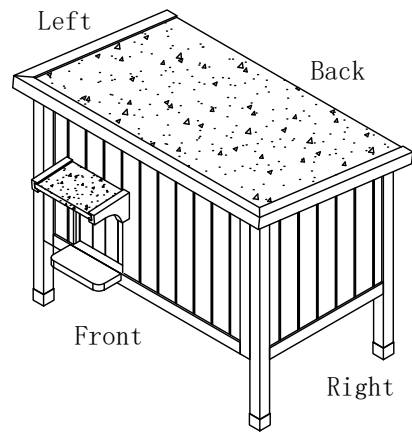
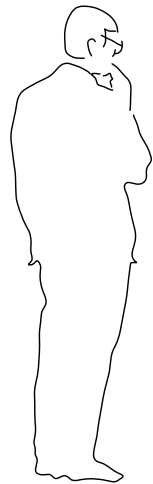
① Front panel	② Door curtain	③ Back panel
④ Left panel	⑤ Right panel	⑥ Small roof
⑦ Left support	⑧ Right support	⑨ Bottom panel
⑩ Divider panel	⑪ Roof	⑫ Platform

ASSEMBLY INSTRUCTION

Tool Required:  Electric Drill  Phillips Screwdriver

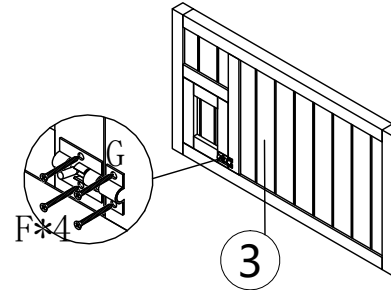
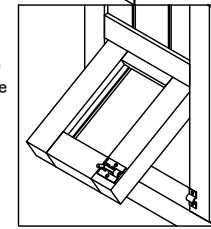
Parts Description

	A	M3. 5*50	10PCS+1
	B	M3*25	6PCS+1
	C	M3*18	10PCS+1
	D	M3*40	4PCS+1
	E	M3. 5*60	3PCS+1
	R		1PC
	F	M3*16	4PCS+1
	G		1PC



F M3*16 4PCS G 1PC

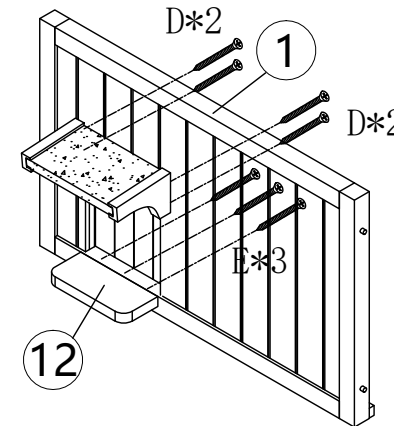
The escape door can be latched when not in use and simply unlatched when needed.



Fix (G) Bolt on ③ Back panel with screws.

STEP 1

D M3*40 4PCS
E M3. 5*60 3PCS

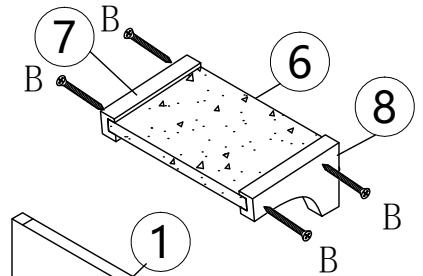


Fix the part of assembled Step 2 on ① Front panel with screws.

Fix ⑫ Platform on ① Front panel with screws.

STEP 3

B M3*25 6PCS

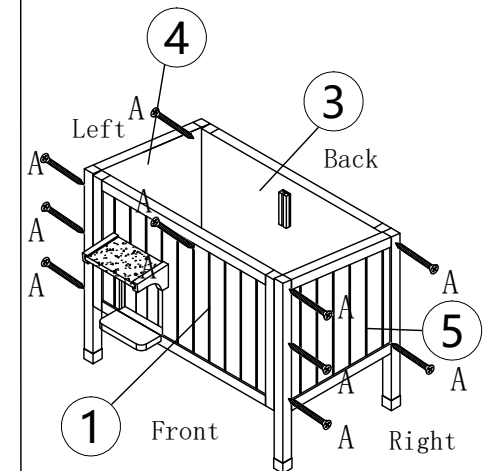


Fix ⑥ Small roof, ⑦ Left support, ⑧ Right support with screws.

Fix ② Door curtain on ① Front panel with screws.

STEP 2

A M3. 5*50 10PCS



Fix ① Front panel, ③ Back panel, ④ Left panel, ⑤ Right panel with screws.

STEP 4