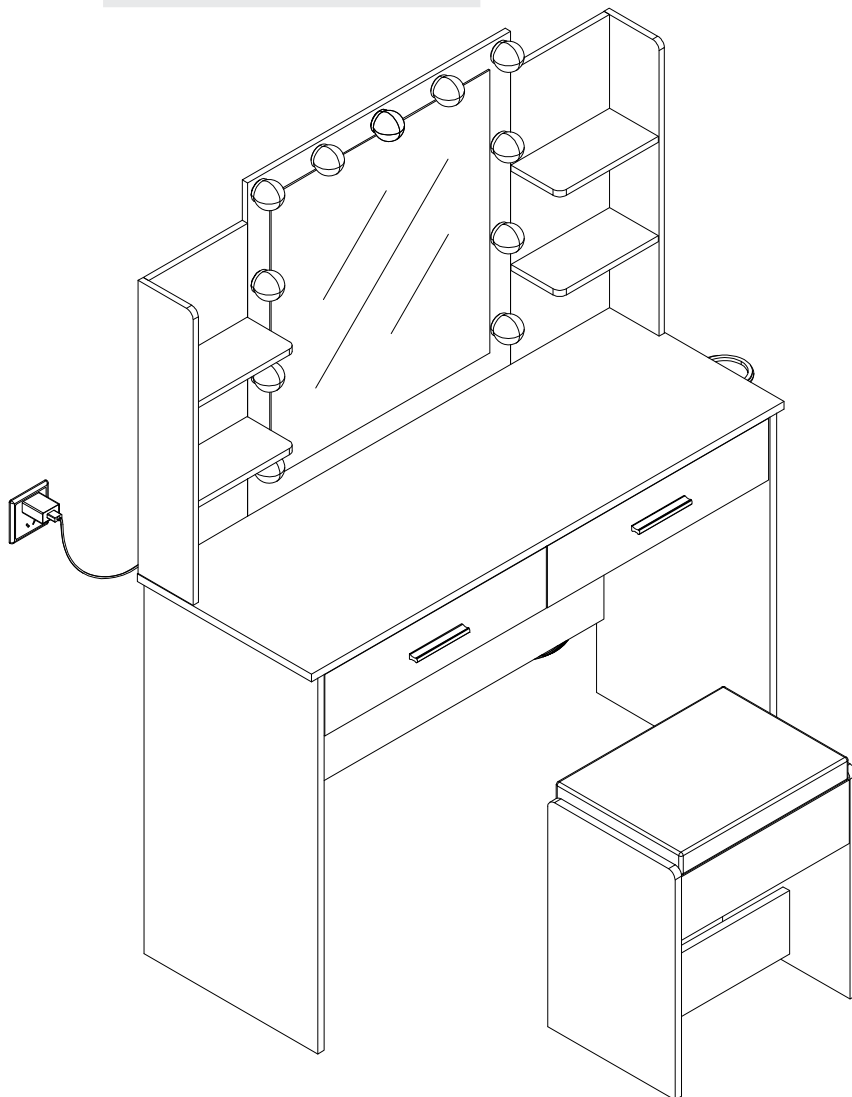


VANITY DESK

ITEM-BJ026-WH



FurnitureServices@126.com

THIS INSTRUCTION BOOKLET CONTAINS **IMPORTANT** SAFETY INFORMATION. PLEASE READ AND KEEP FOR FUTURE REFERENCE.

EN



Before You Start

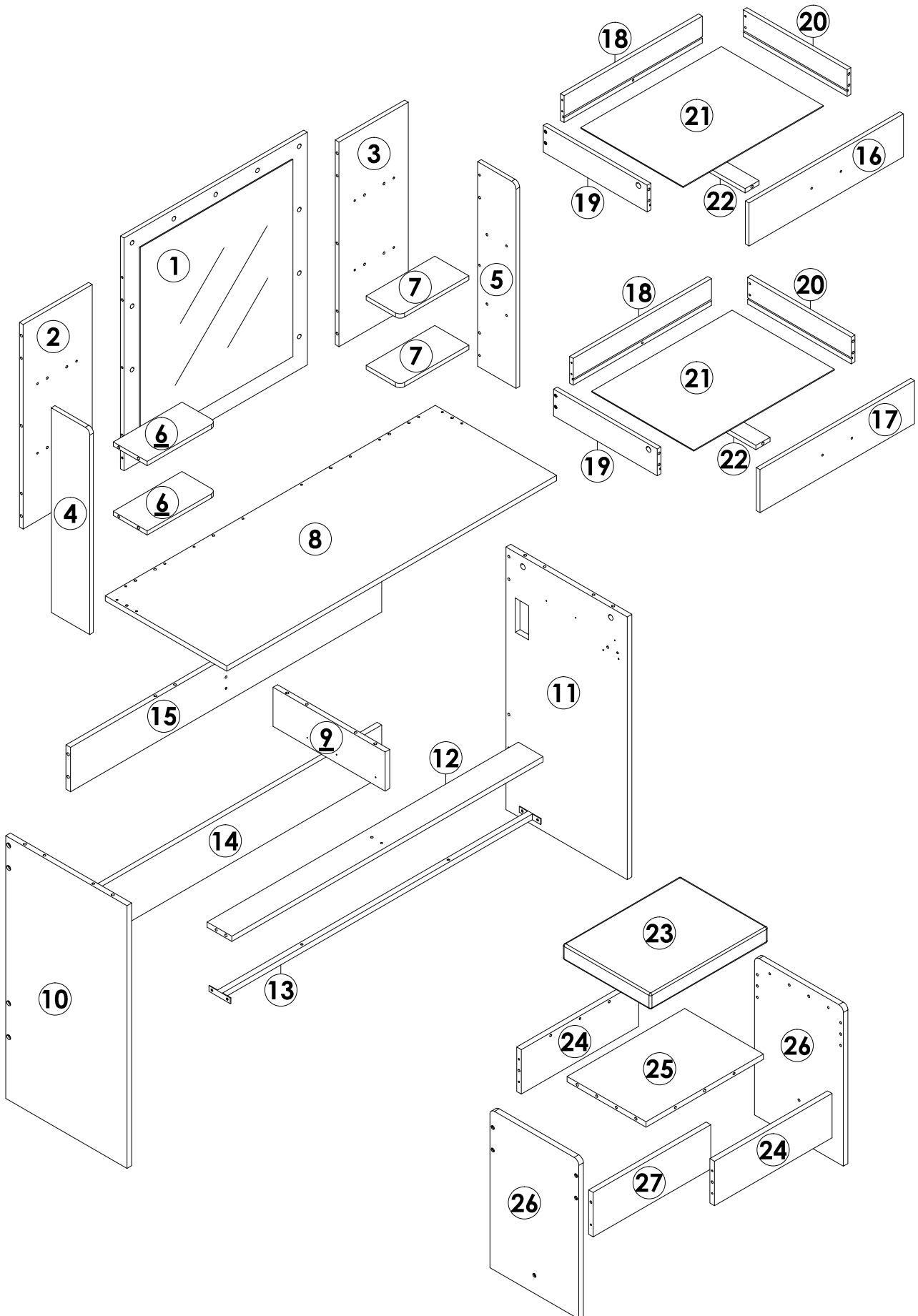
- ⚠ Please read all instructions carefully.
- ⚠ Retain instructions for future reference.
- ⚠ Separate and count all parts and hardware.
- ⚠ Read through each step carefully and follow the proper order.
- ⚠ We recommend that, where possible, all items are assembled near to the area in which they will be placed in use, to avoid moving the product unnecessarily once assembled.
- ⚠ Always place the product on a flat, steady and stable surface.
- ⚠ Keep all small parts and packaging materials for this product away from babies and children as they potentially pose a serious choking hazard.

If you're having difficulty, our friendly customer team is always here to help.


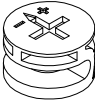



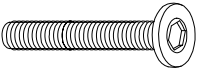

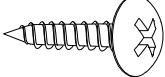

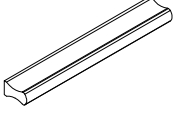
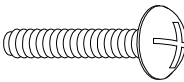
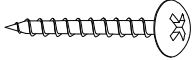
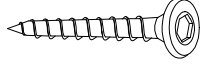
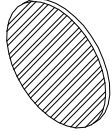
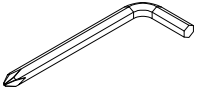
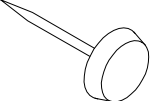
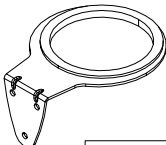
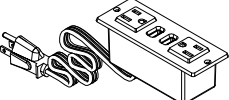
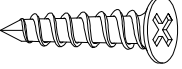

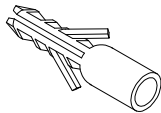
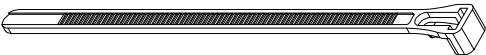
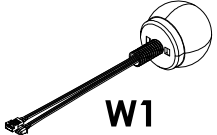

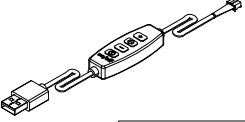
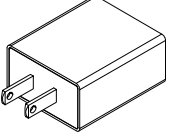
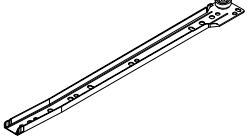
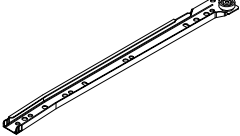
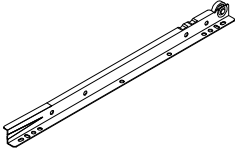
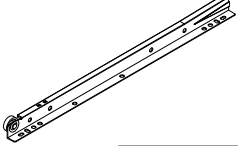
FurnitureServices@126.com



Parts List(EN) / Teile Liste(DE)

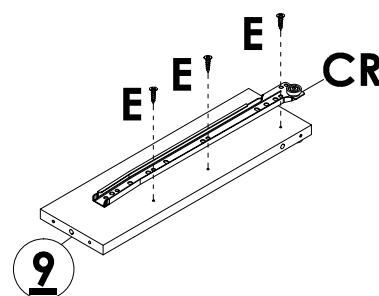
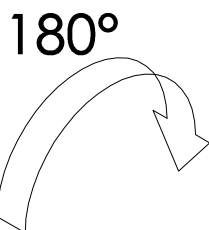
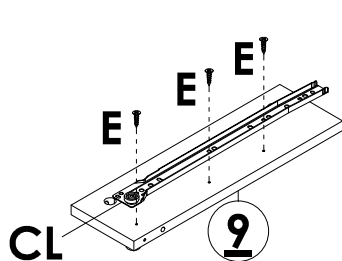
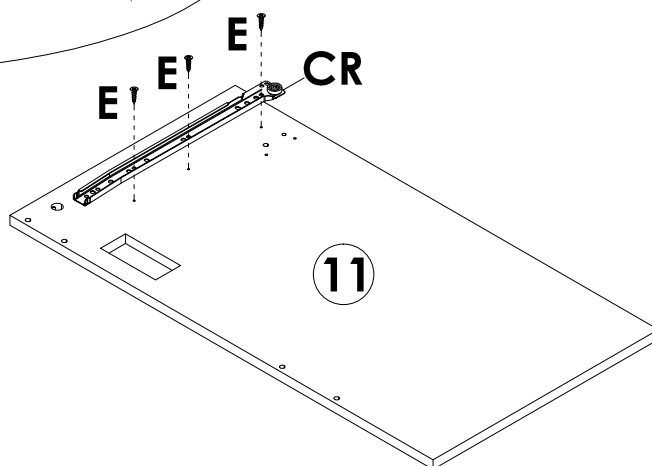
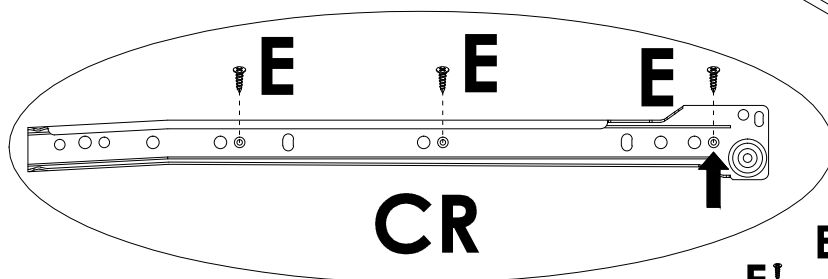
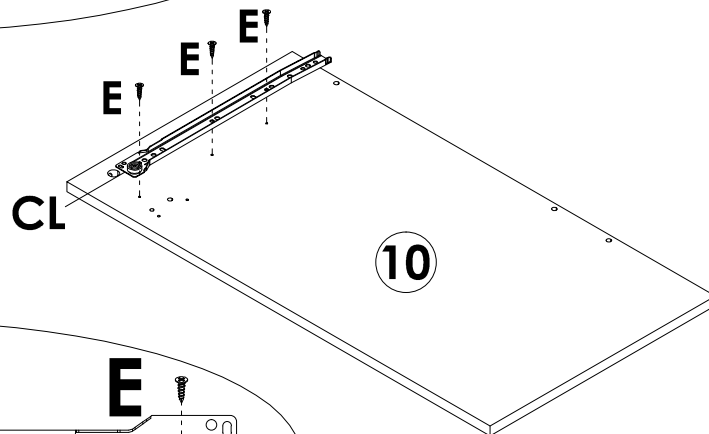
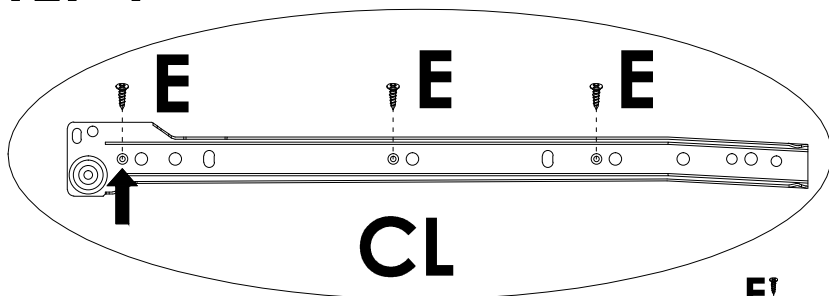



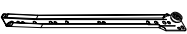

Parts List(EN) / Teile Liste(DE)

A  M6x35mm 38+2PCS	B  Ø15x9mm 38+2PCS	C  M4x40mm 35+2PCS	D  Ø6x30mm 58+2PCS	E  M3x12mm 24+2PCS
F  M6x45mm 8+1PCS	G  Ø10x10mm 8+1PCS	H  M4x12mm 7PCS	I  Ø10mm 8+1PCS	J  96mm 2PCS
K  M4x16mm 4PCS	L  M4x25mm 2PCS	M  M5x40mm 10+1PCS	N  Ø20mm 22+2PCS	O  M4mm 1PC
P  8+1PCS	Q  1PC	R  1PC	S  M3x14mm 4PCS	T  4PCS
U  Ø6x30mm 2PCS	V  2PCS		W  W1  W2 11PCS	
X  1PC	Y  1PC	CL  350mm 2PCS	CR  350mm 2PCS	DL  350mm 2PCS
DR  350mm 2PCS				

Assembly Steps(EN) / Montageschritte(DE)

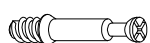
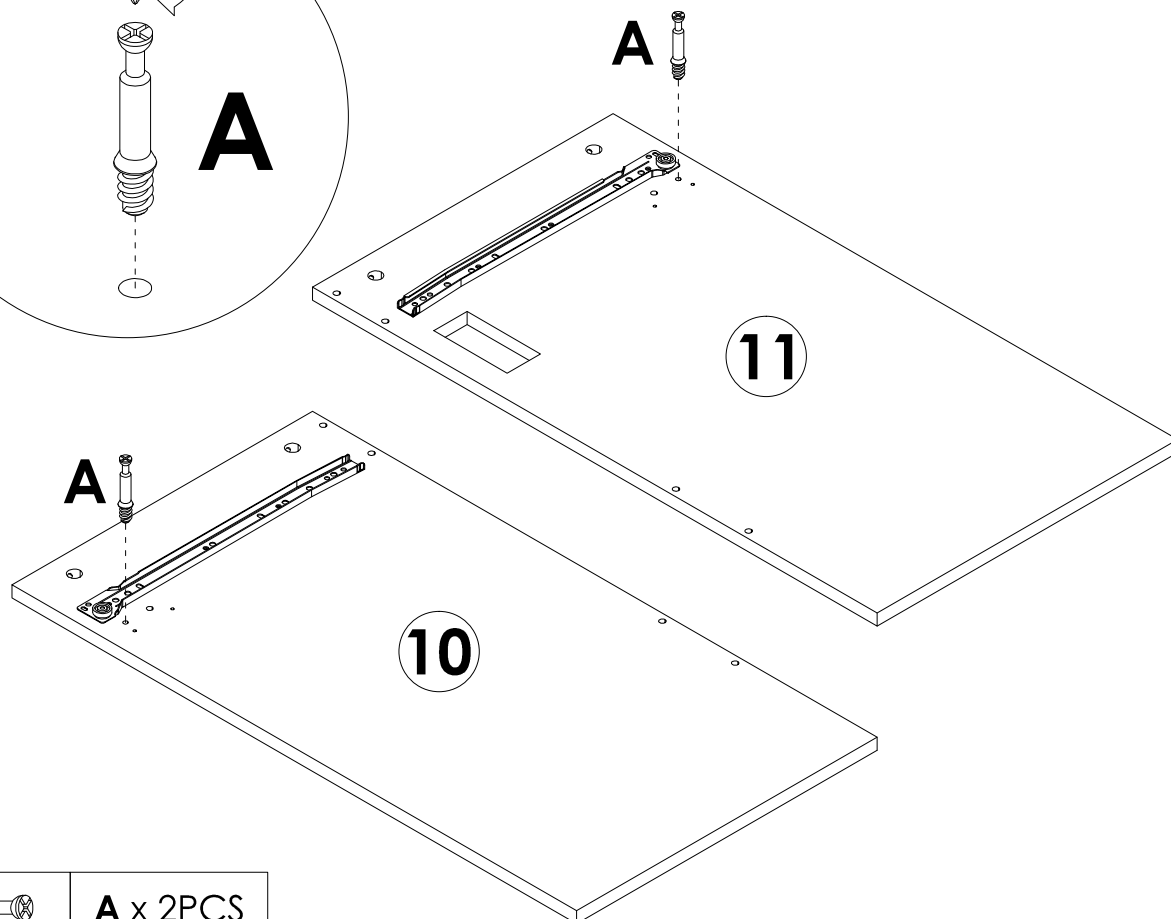
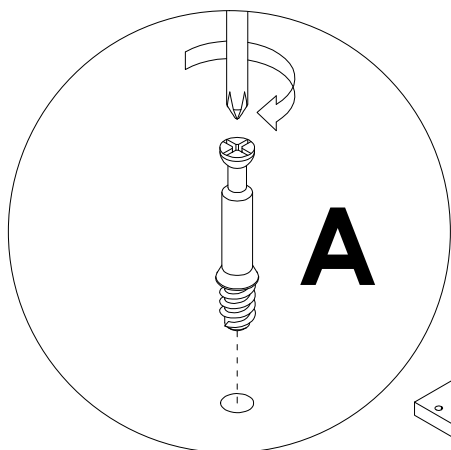
STEP 1



	E x 12PCS
	CL x 2PCS
	CR x 2PCS

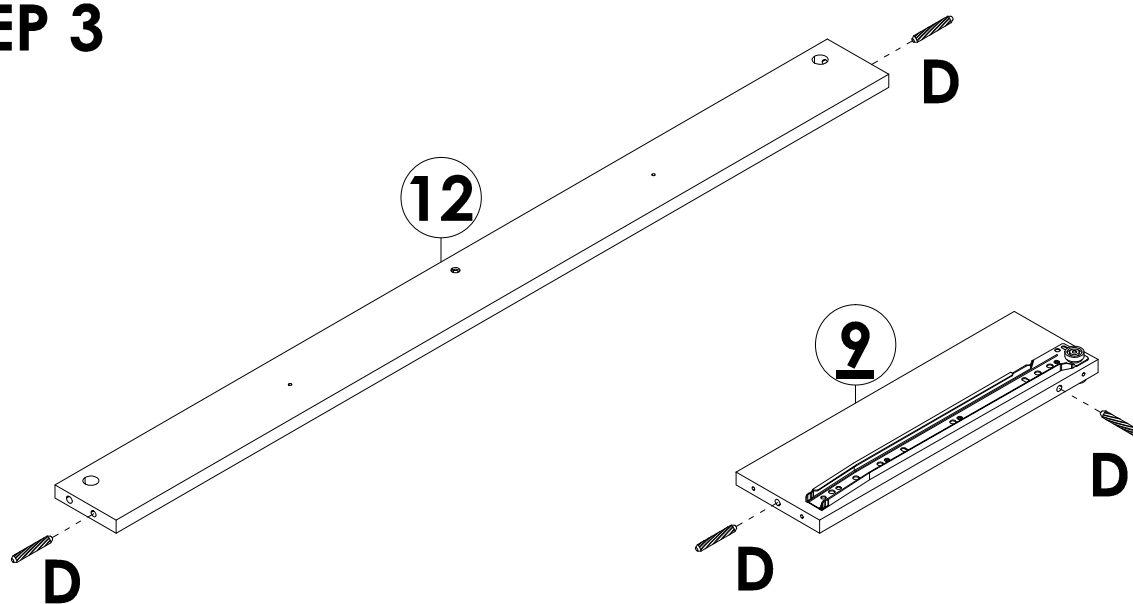
Assembly Steps(EN) / Montageschritte(DE)

STEP 2



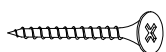
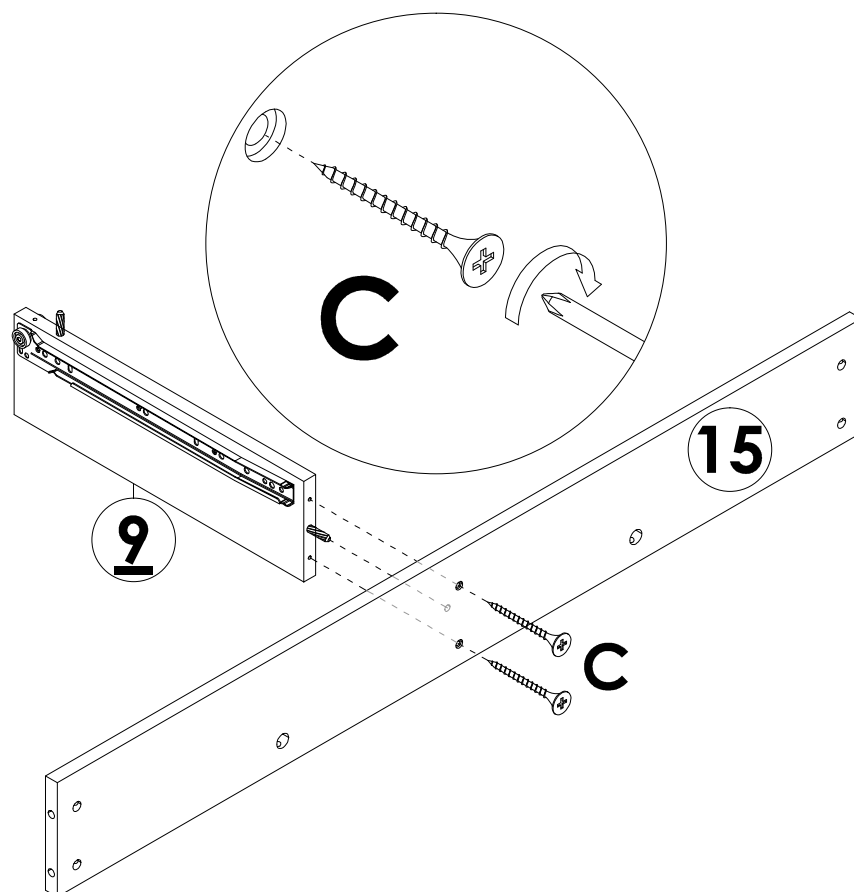
A x 2PCS

STEP 3



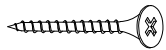
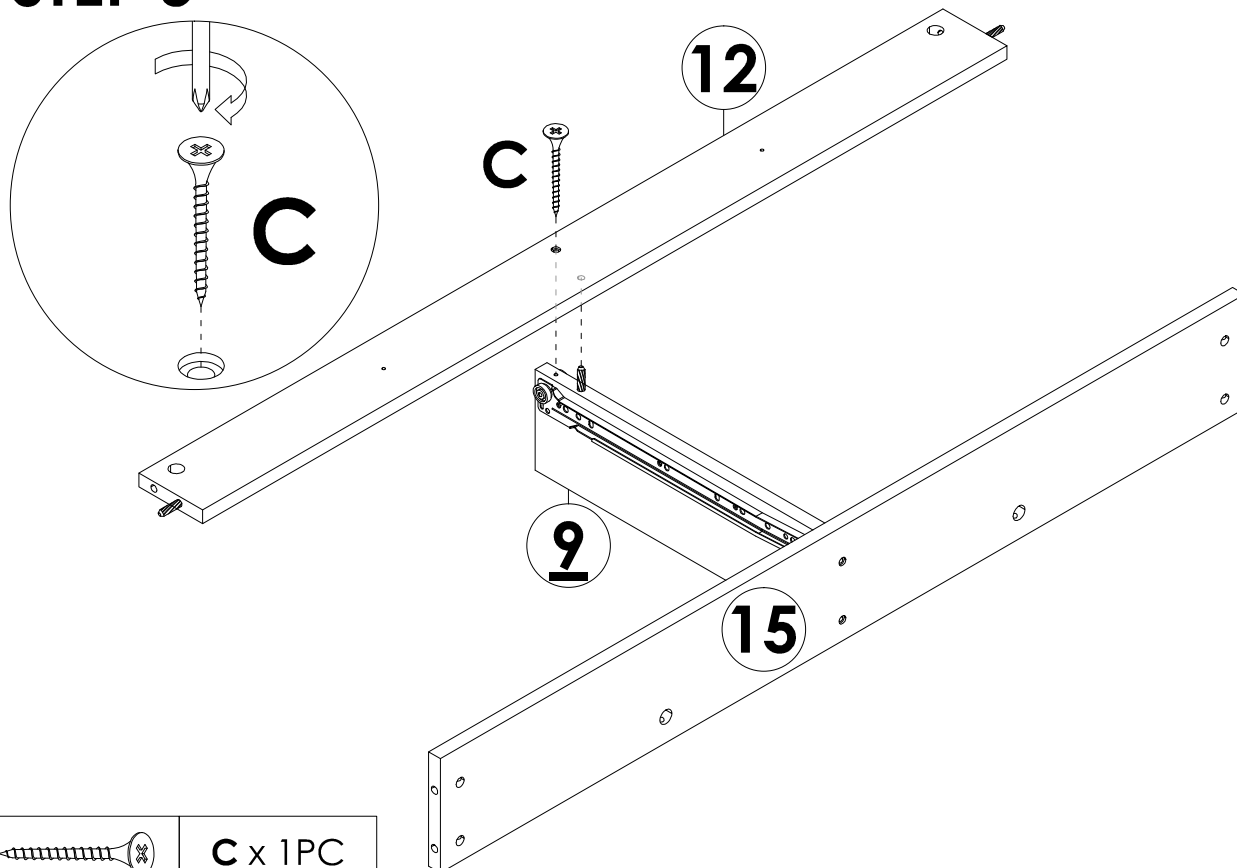
D x 4PCS

STEP 4



C x 2PCS

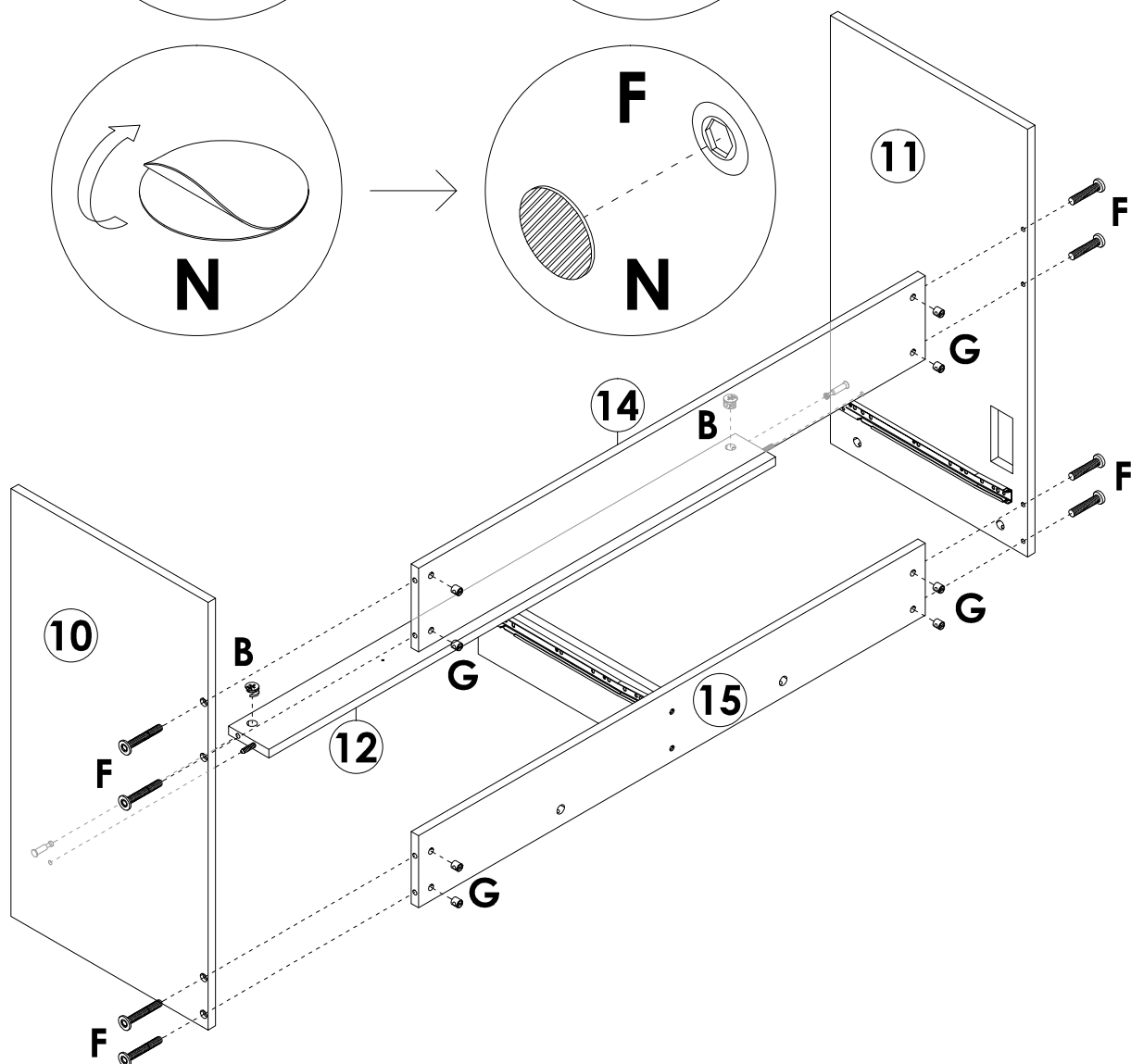
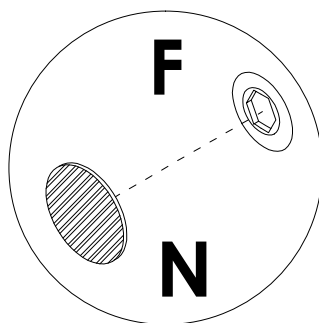
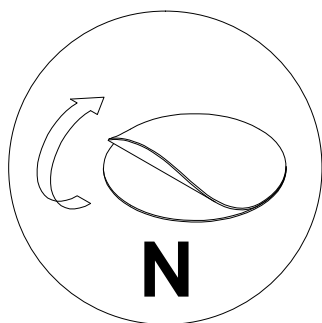
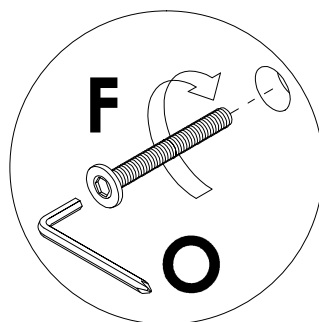
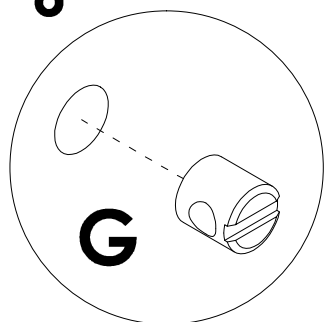
STEP 5



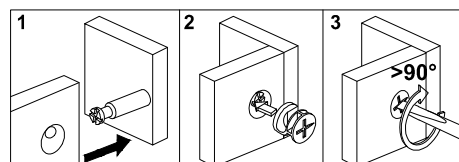
C x 1PC

Assembly Steps(EN) / Montageschritte(DE)

STEP 6

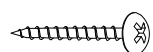
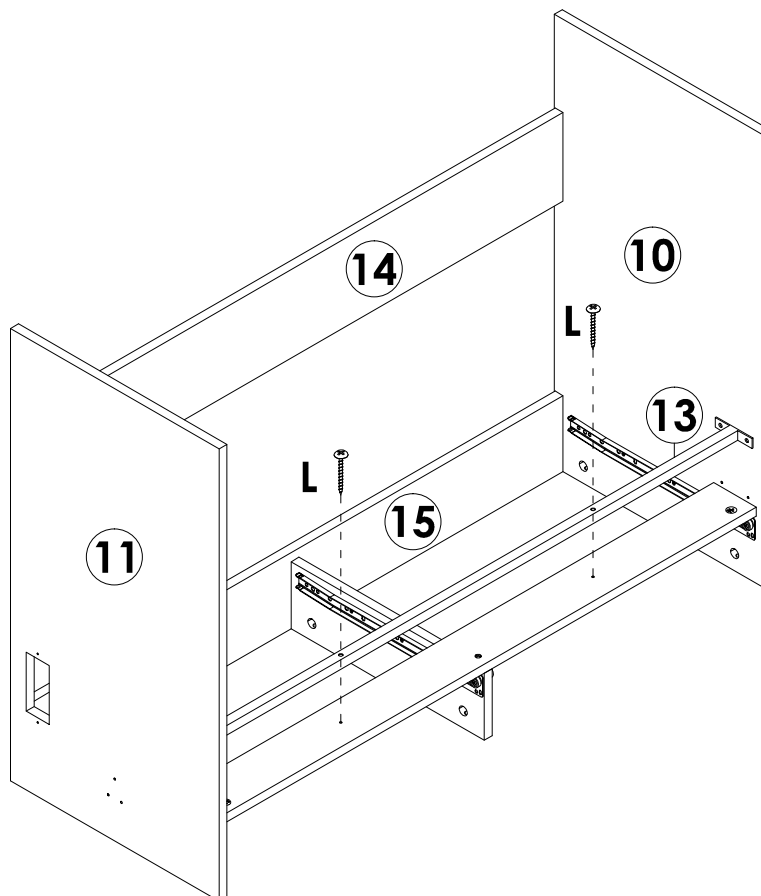
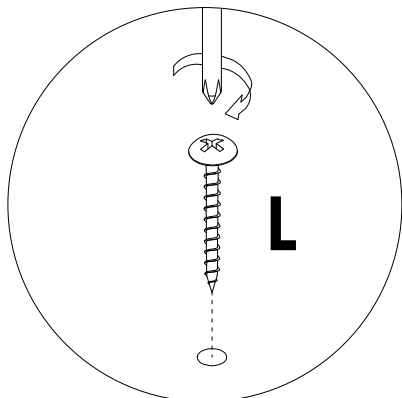


	G x 8PCS
	F x 8PCS
	N x 8PCS
	O x 1PC
	B x 2PCS



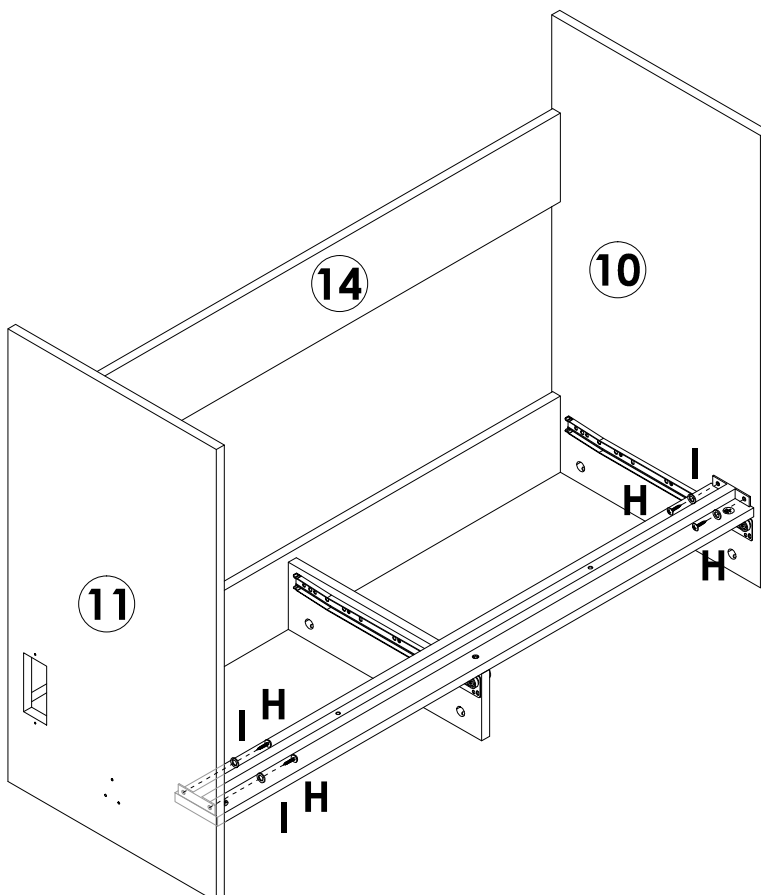
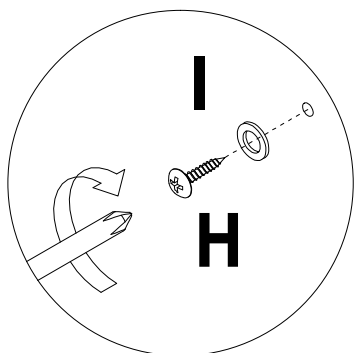
Assembly Steps(EN) / Montageschritte(DE)

STEP 7



L x 2PCS

STEP 8



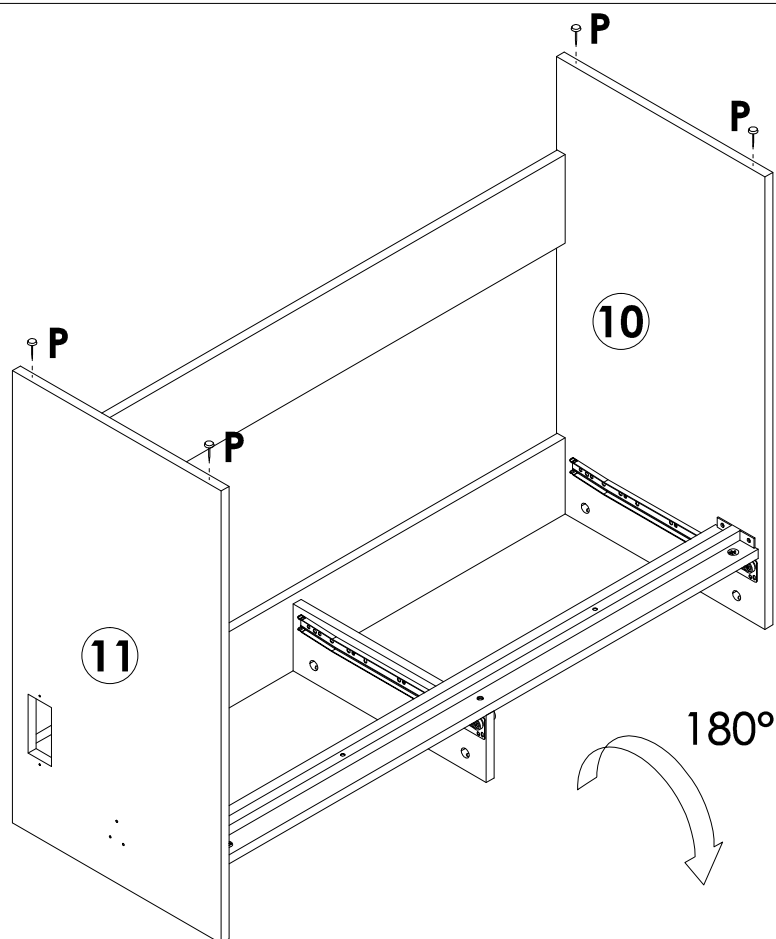
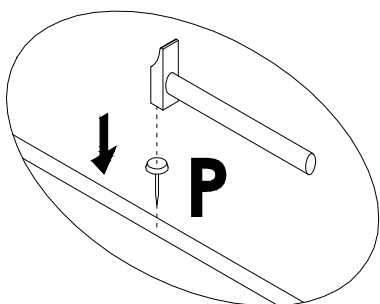
H x 4PCS



I x 4PCS

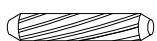
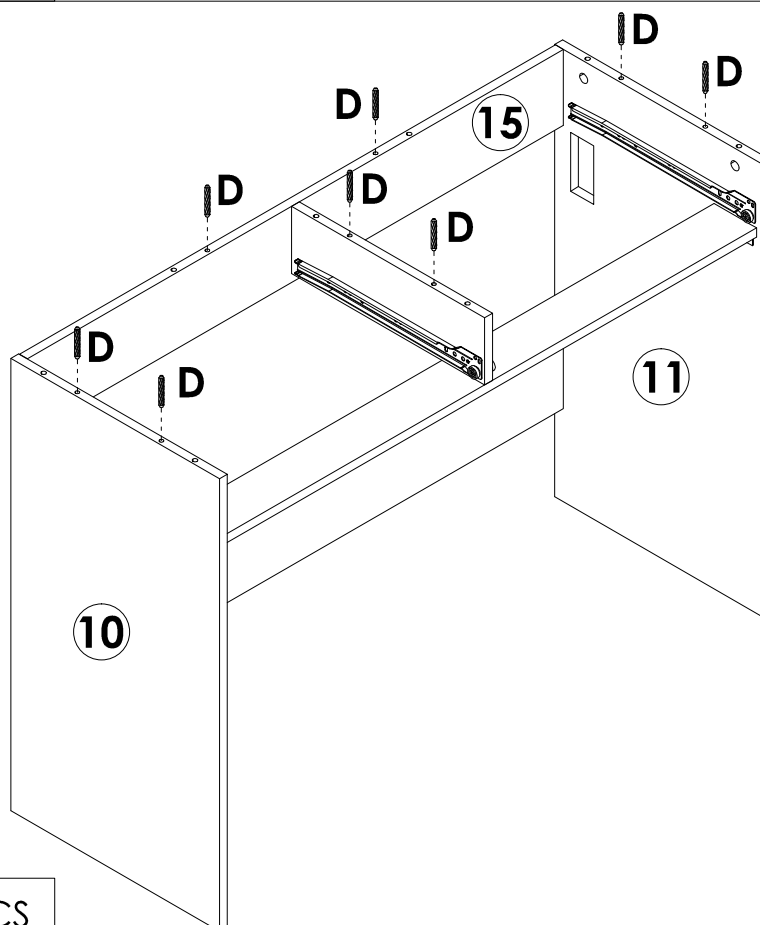
Assembly Steps(EN) / Montageschritte(DE)

STEP 9



P x 4PCS

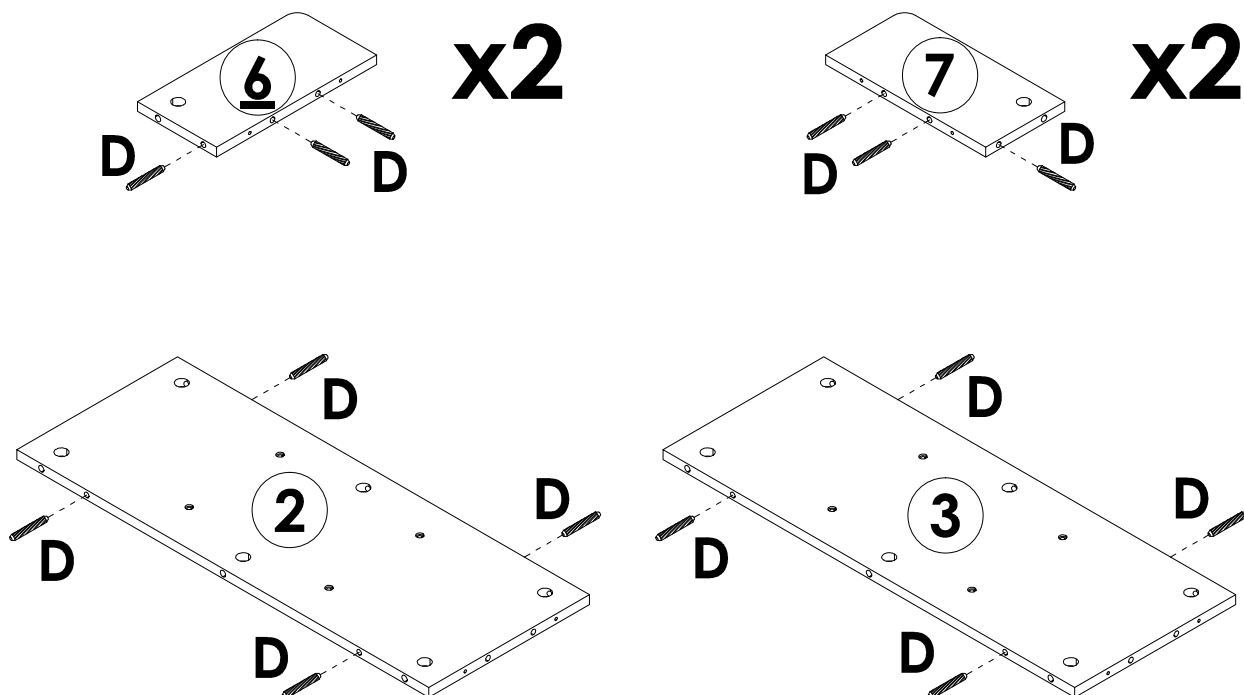
STEP 10



D x 8PCS

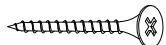
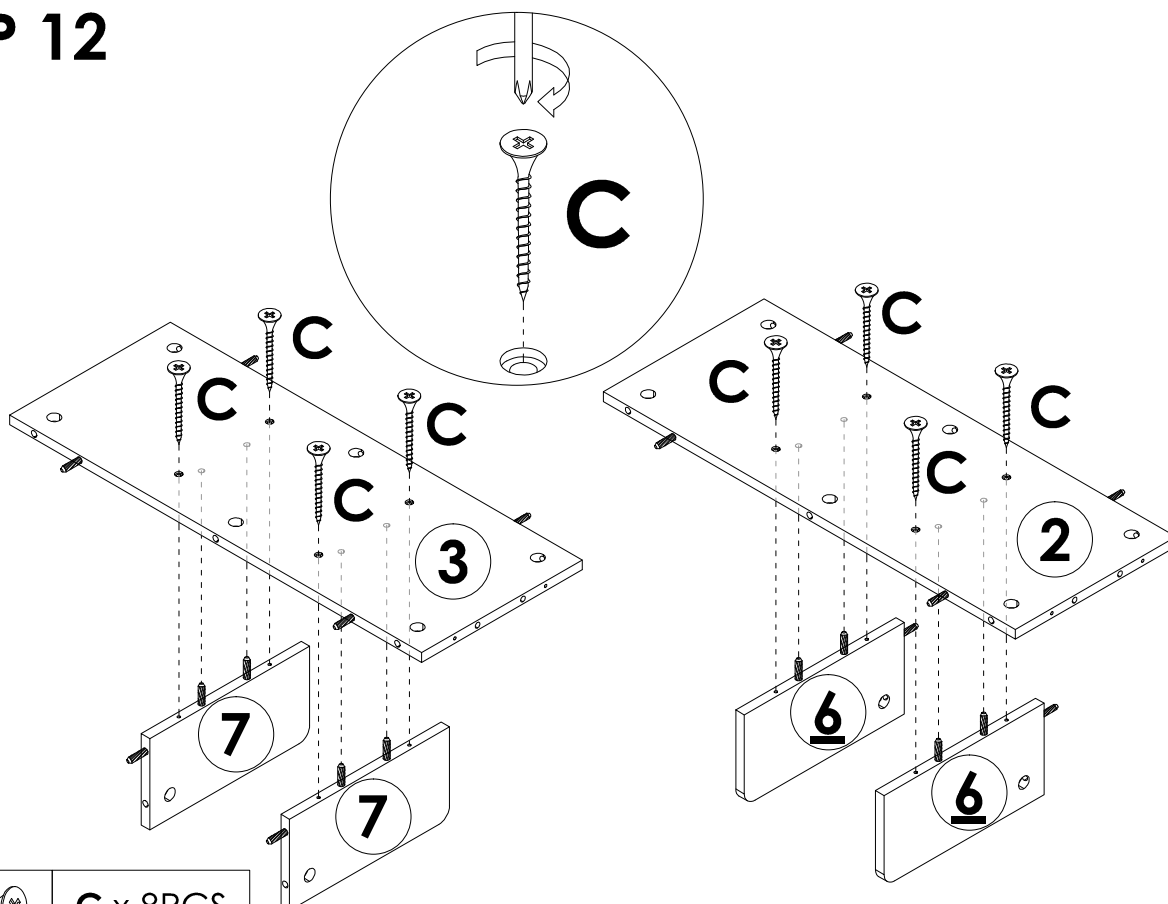
Assembly Steps(EN) / Montageschritte(DE)

STEP 11



D x 20PCS

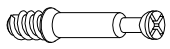
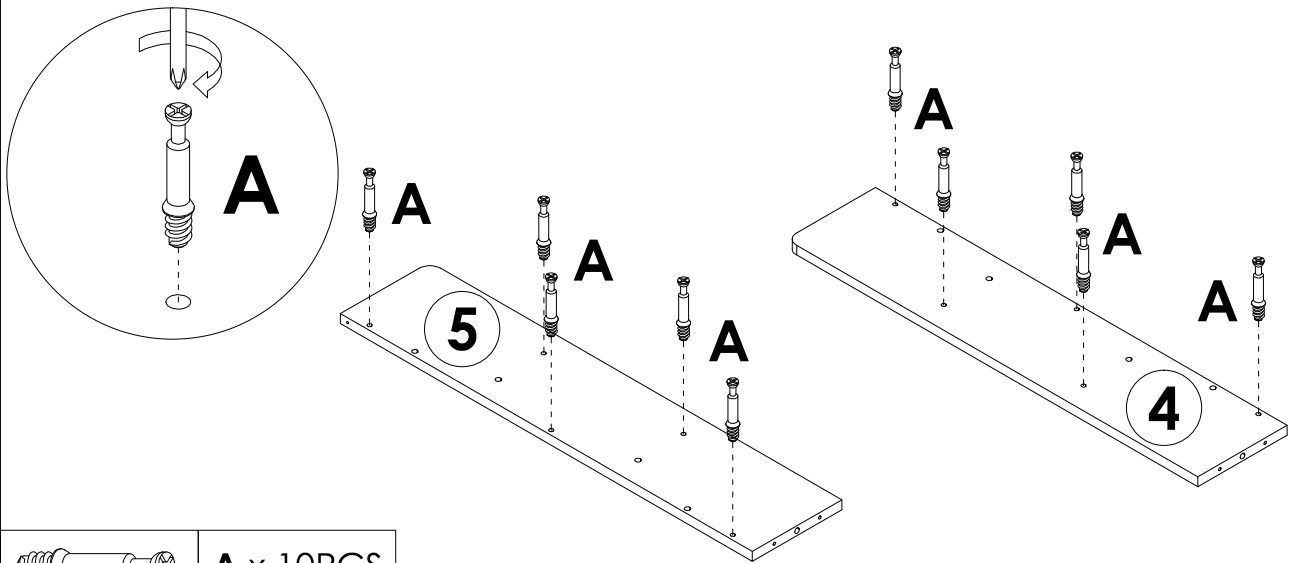
STEP 12



C x 8PCS

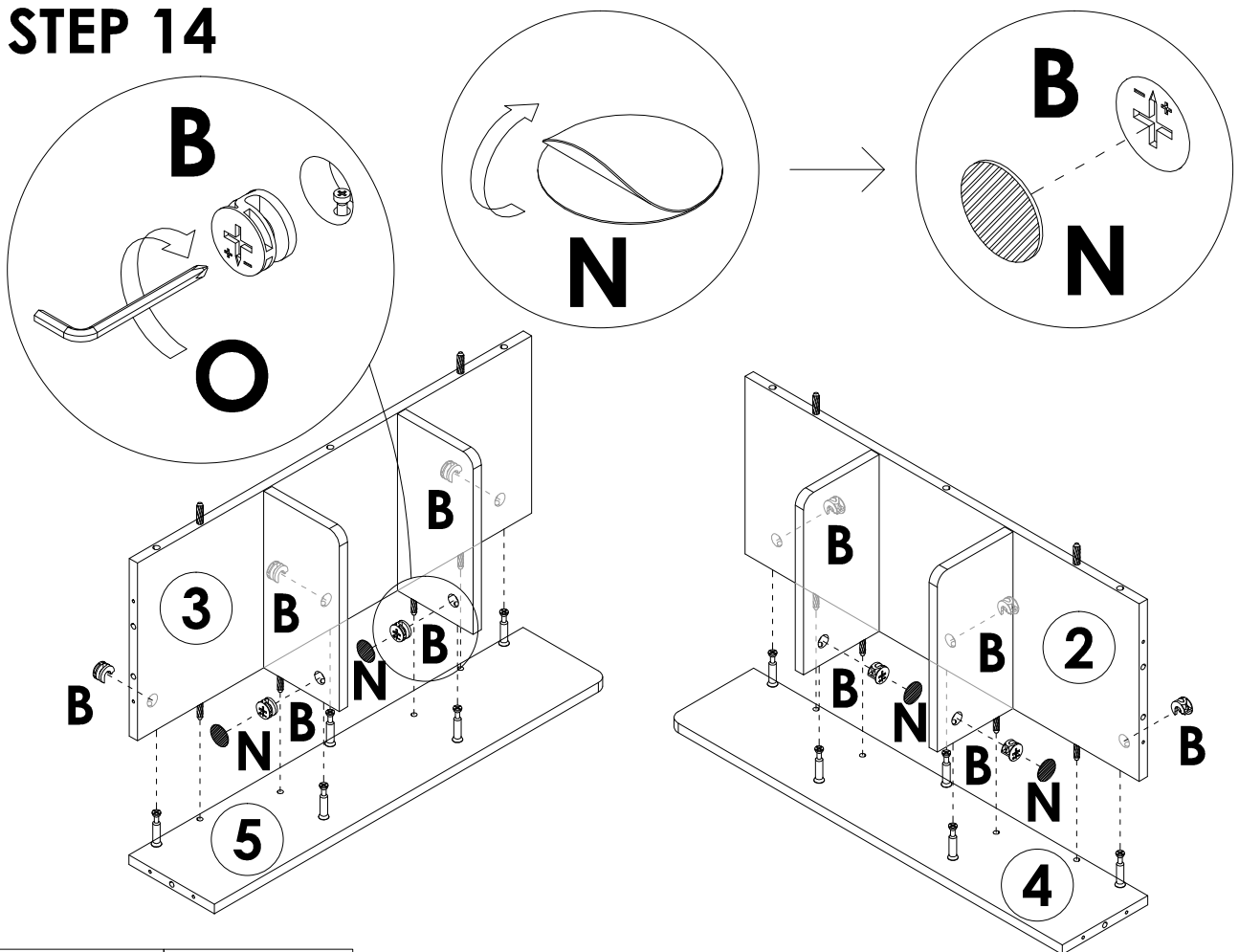
Assembly Steps(EN) / Montageschritte(DE)

STEP 13



A x 10PCS

STEP 14



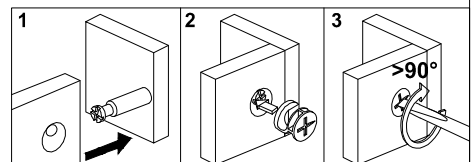
B x 10PCS



N x 4PCS

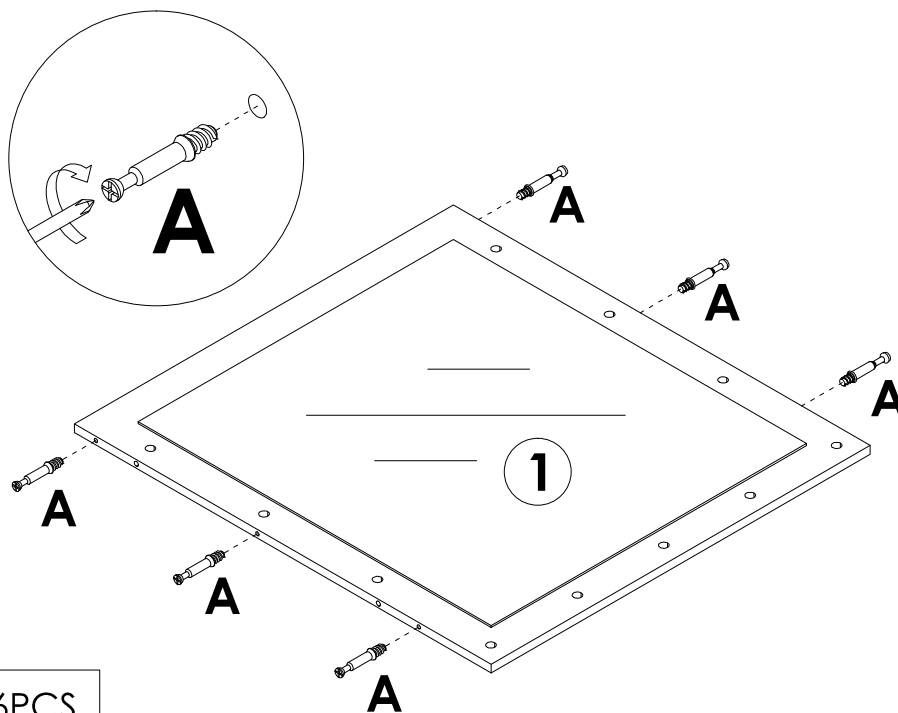


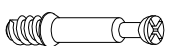
O x 1PC



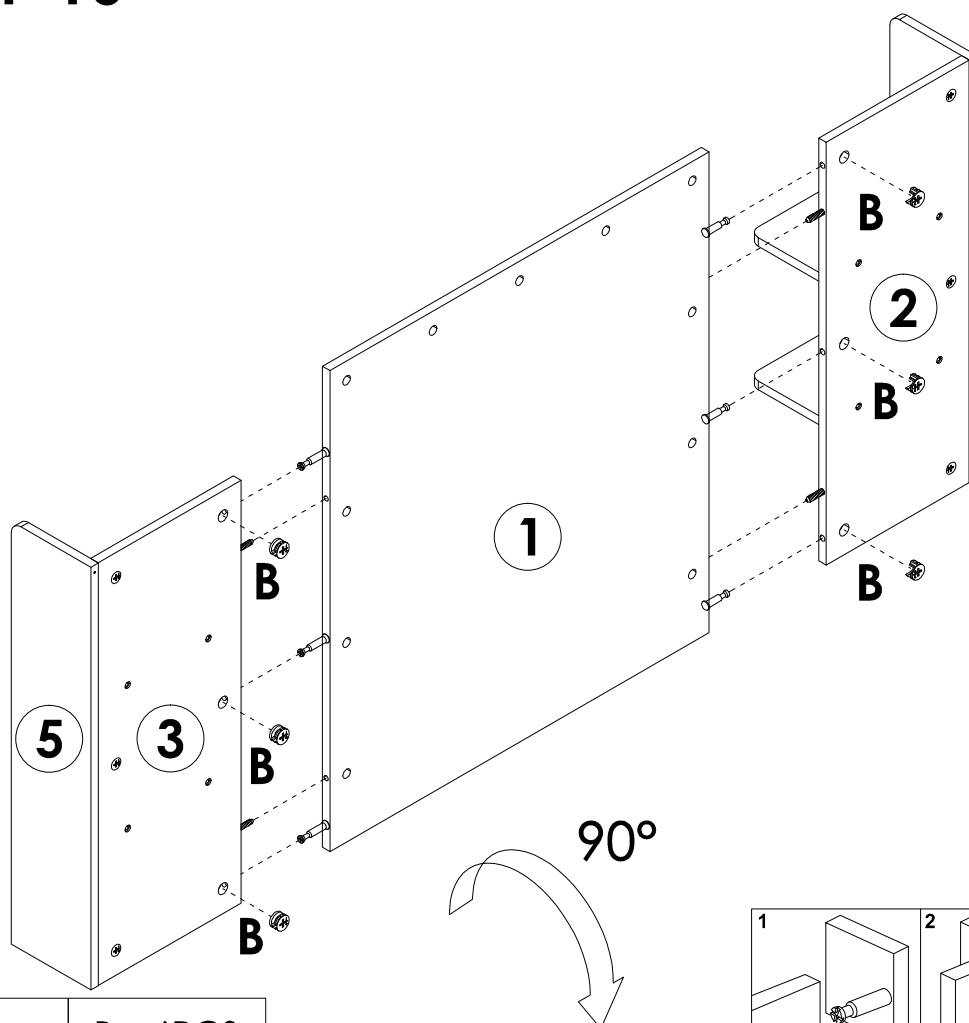
Assembly Steps(EN) / Montageschritte(DE)


STEP 15



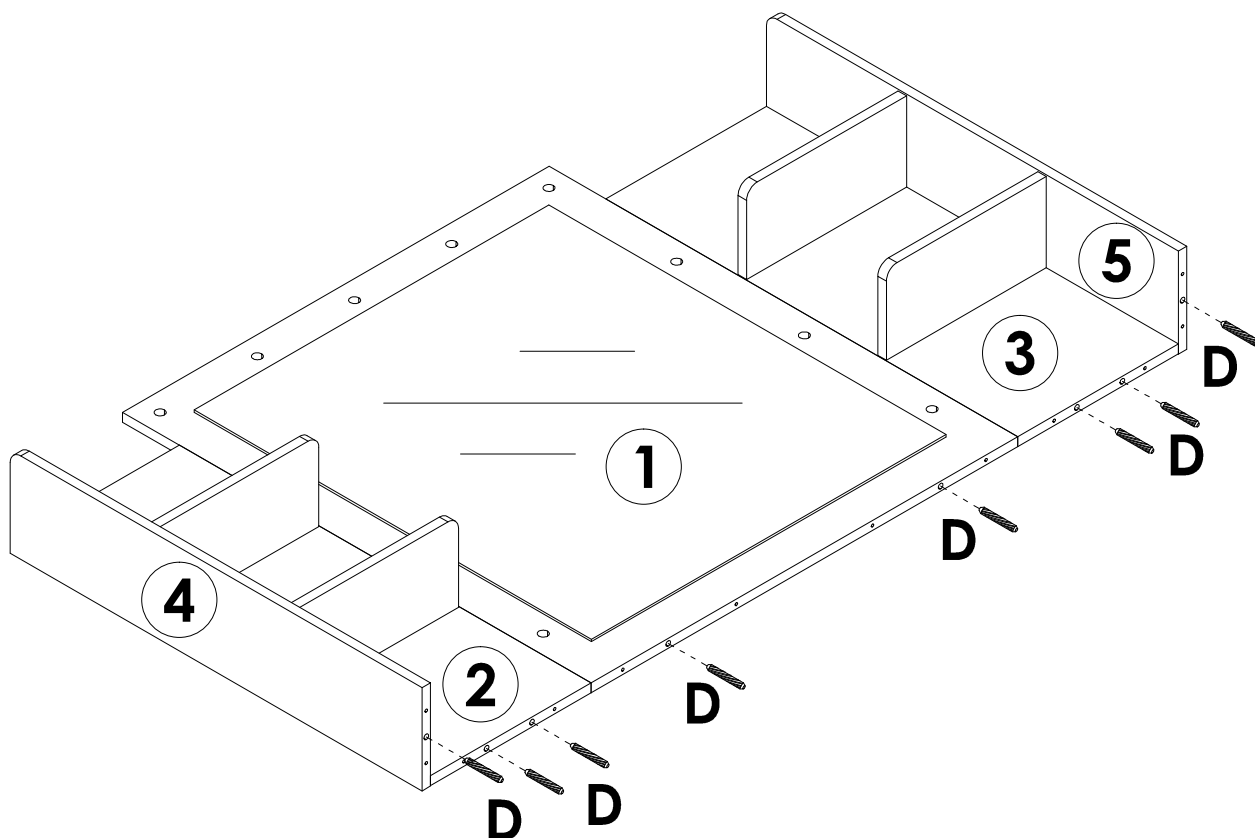
 A x 6PCS

STEP 16



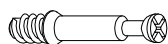
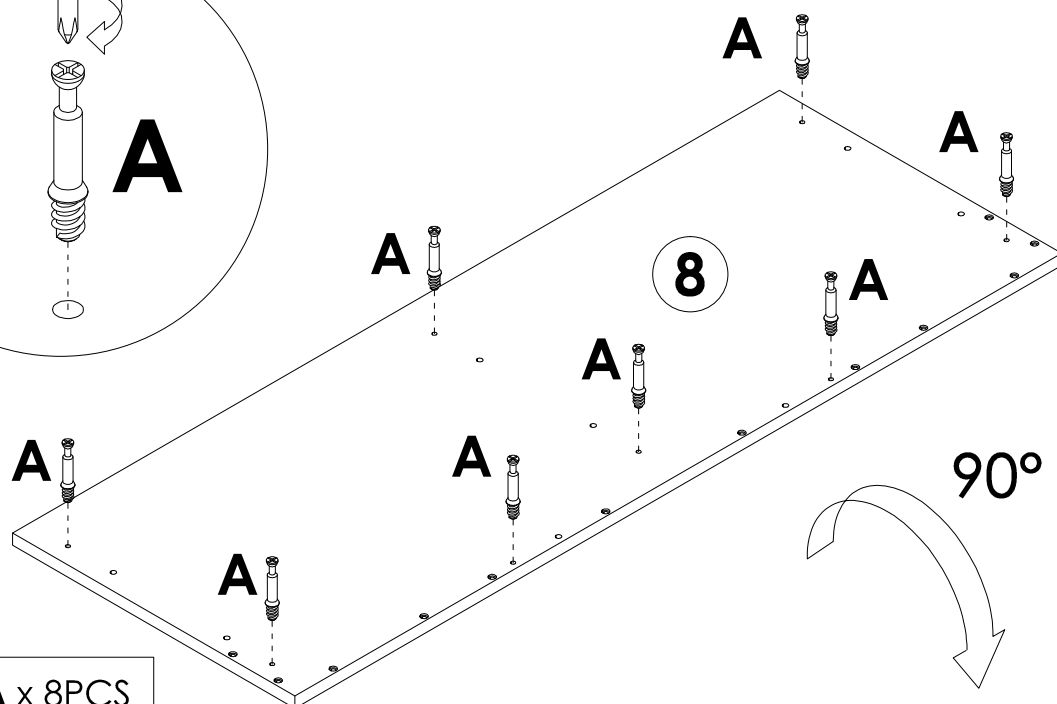
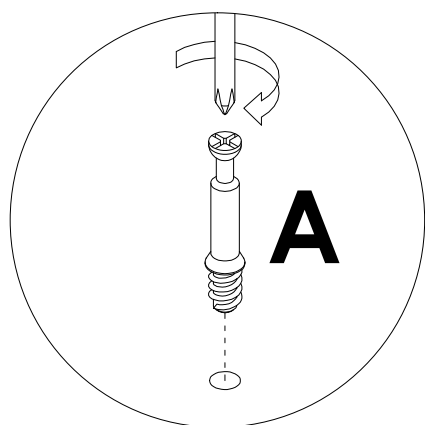
 B x 6PCS

STEP 17



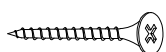
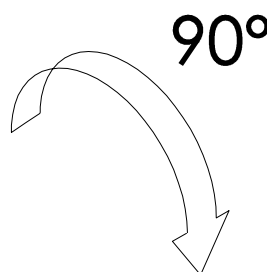
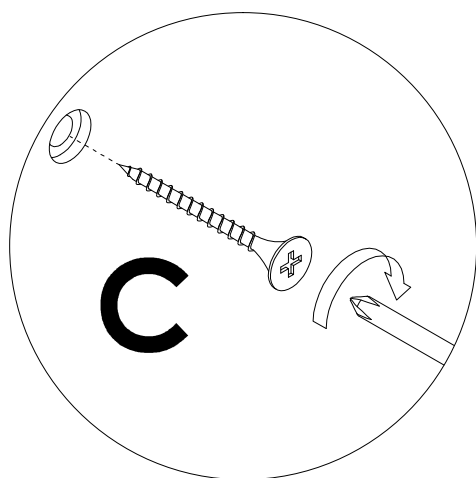
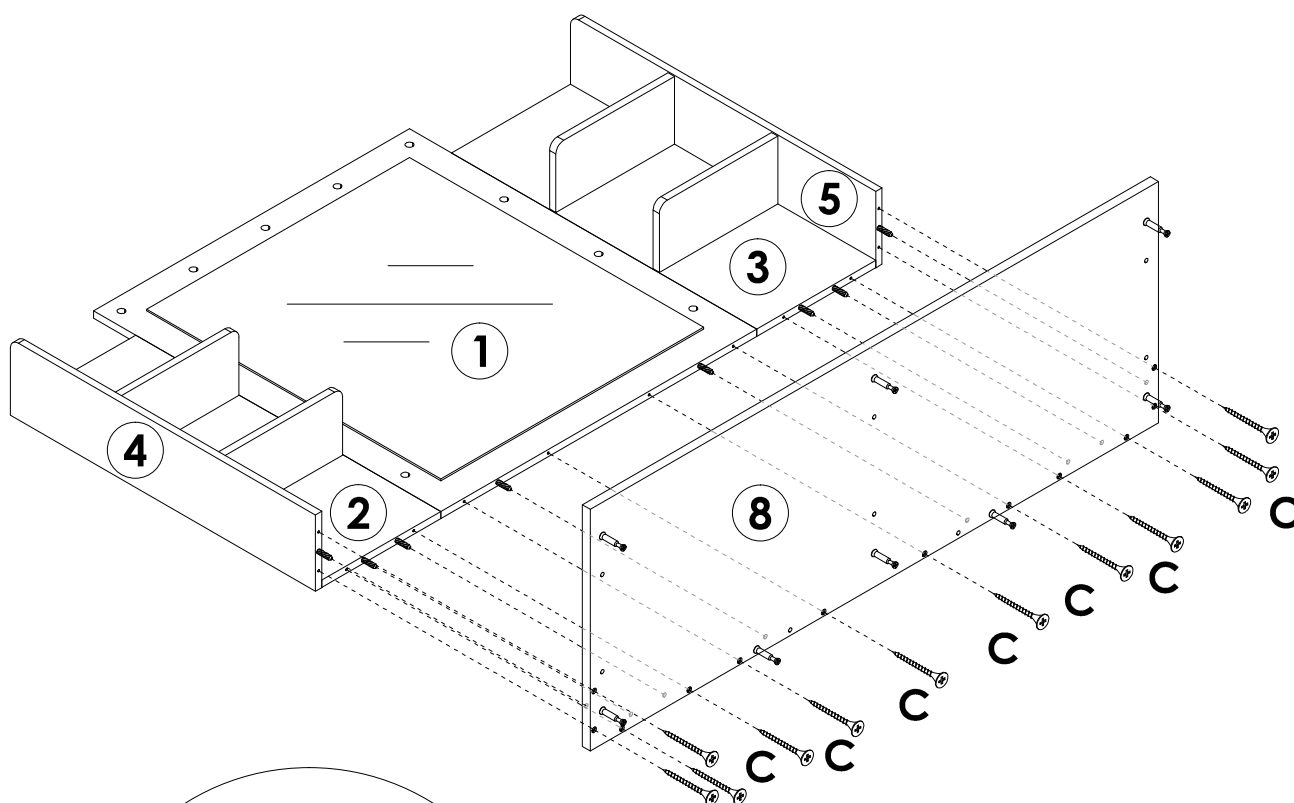
D x 8PCS

STEP 18



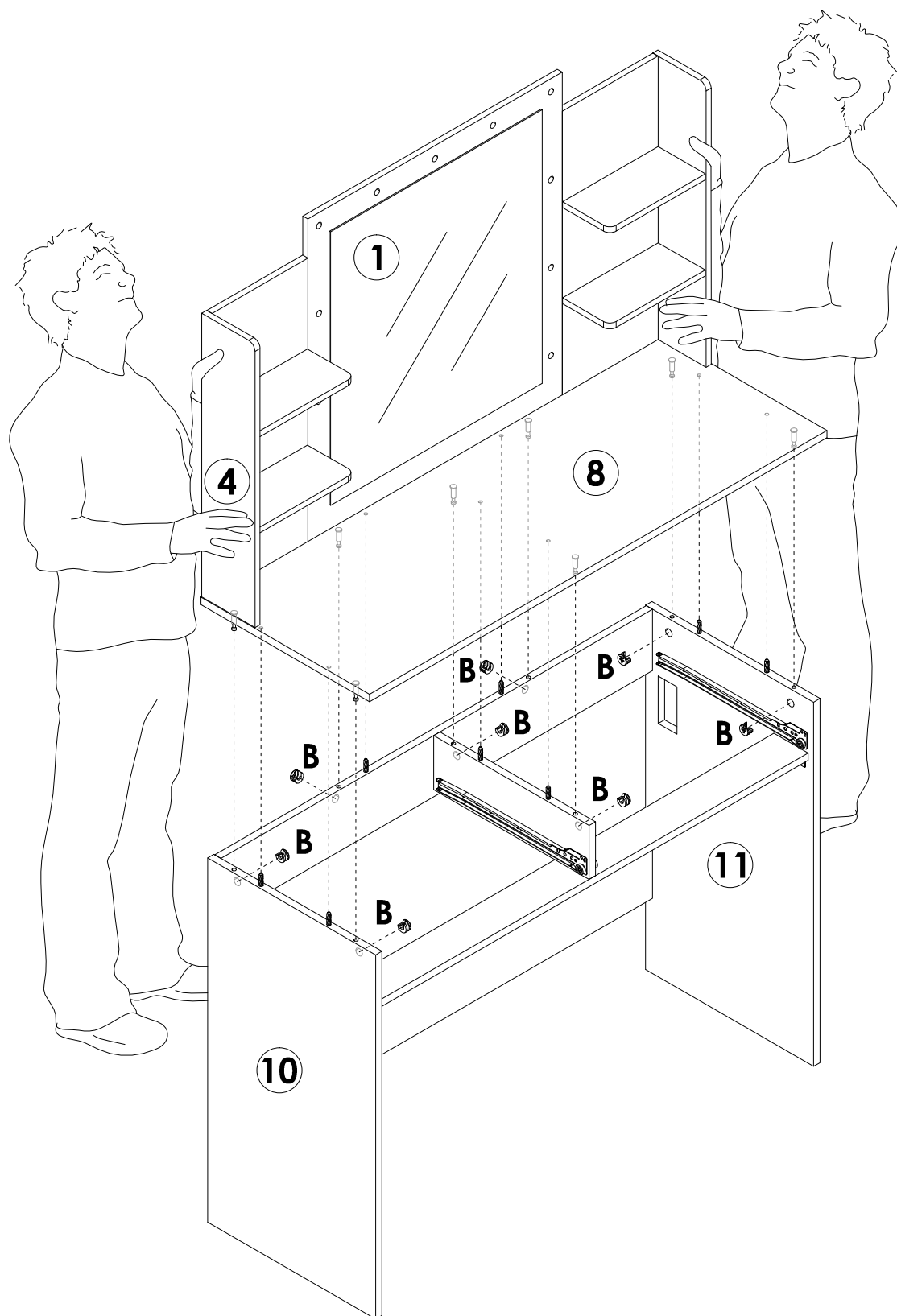
A x 8PCS

STEP 19

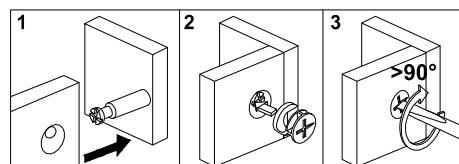


C x 12PCS

STEP 20

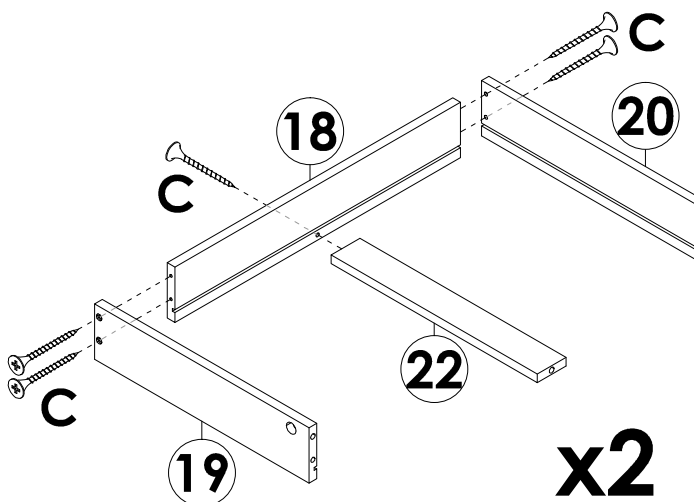
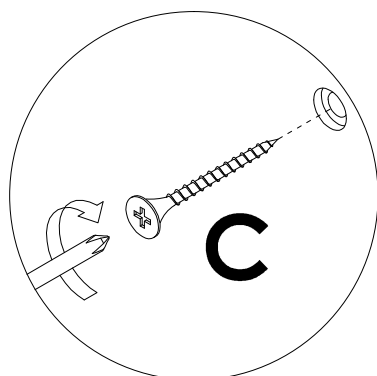


B x 8PCS



Assembly Steps(EN) / Montageschritte(DE)

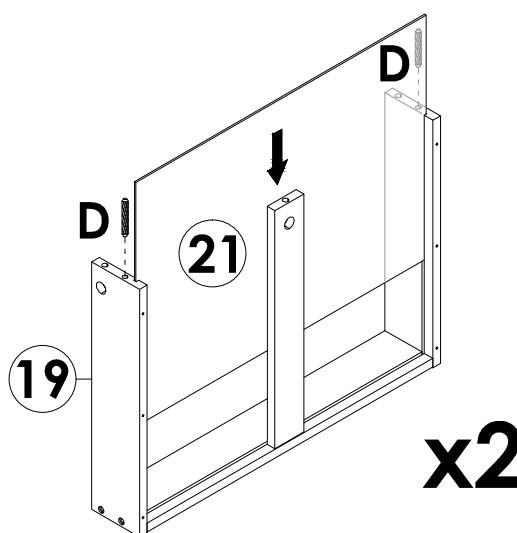
STEP 21



x2

	C x 10PCS
---	------------------

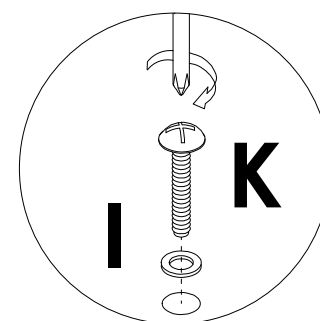
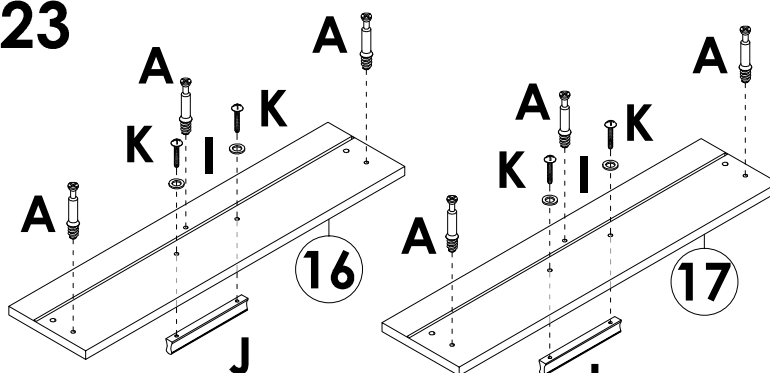
STEP 22







x2

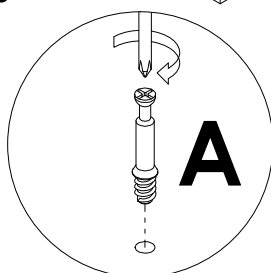
	D x 4PCS
---	-----------------

STEP 23



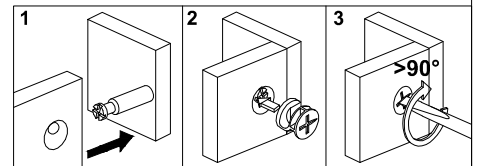
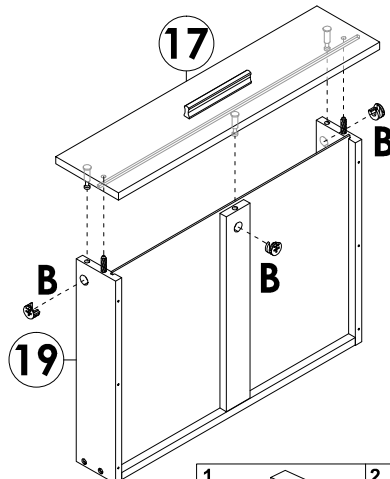
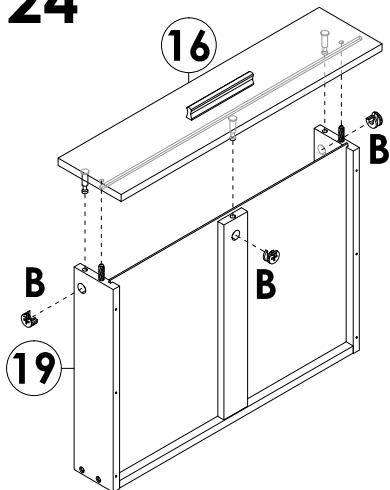
180°

	A x 6PCS
	I x 4PCS
	J x 2PCS
	K x 4PCS



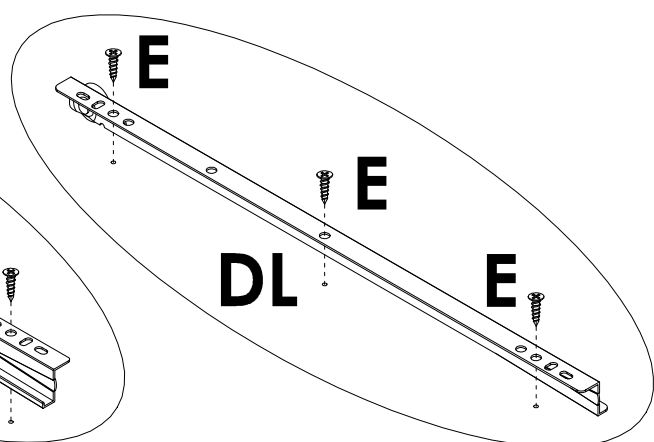
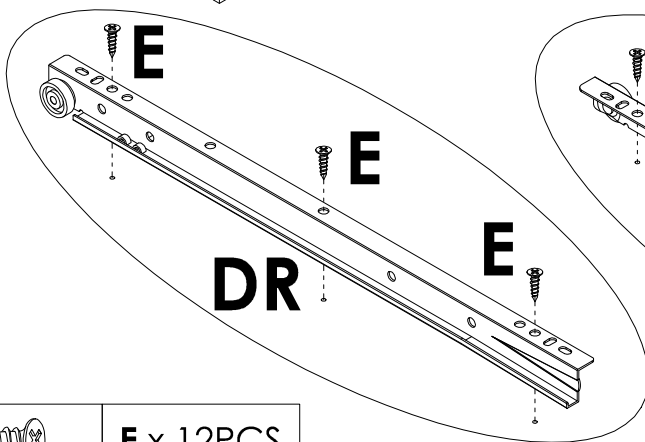
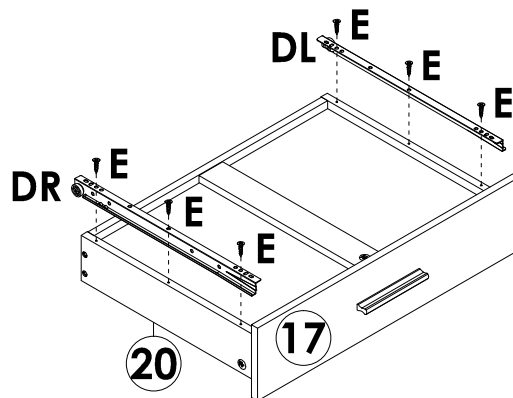
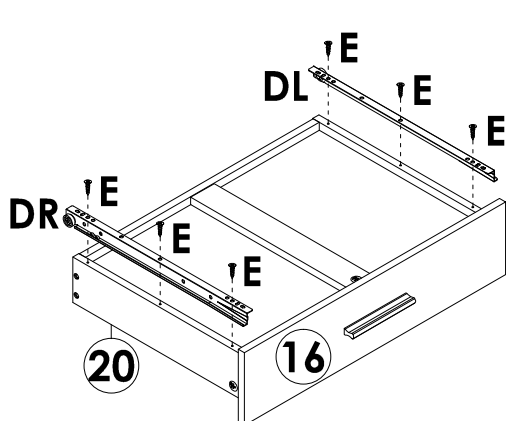
Assembly Steps(EN) / Montageschritte(DE)

STEP 24



B x 6PCS

STEP 25



E x 12PCS

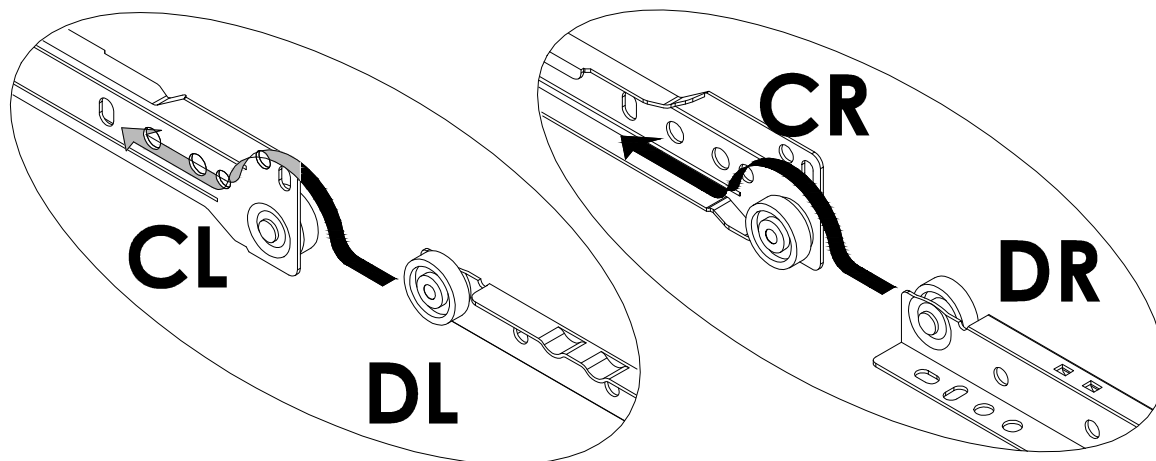
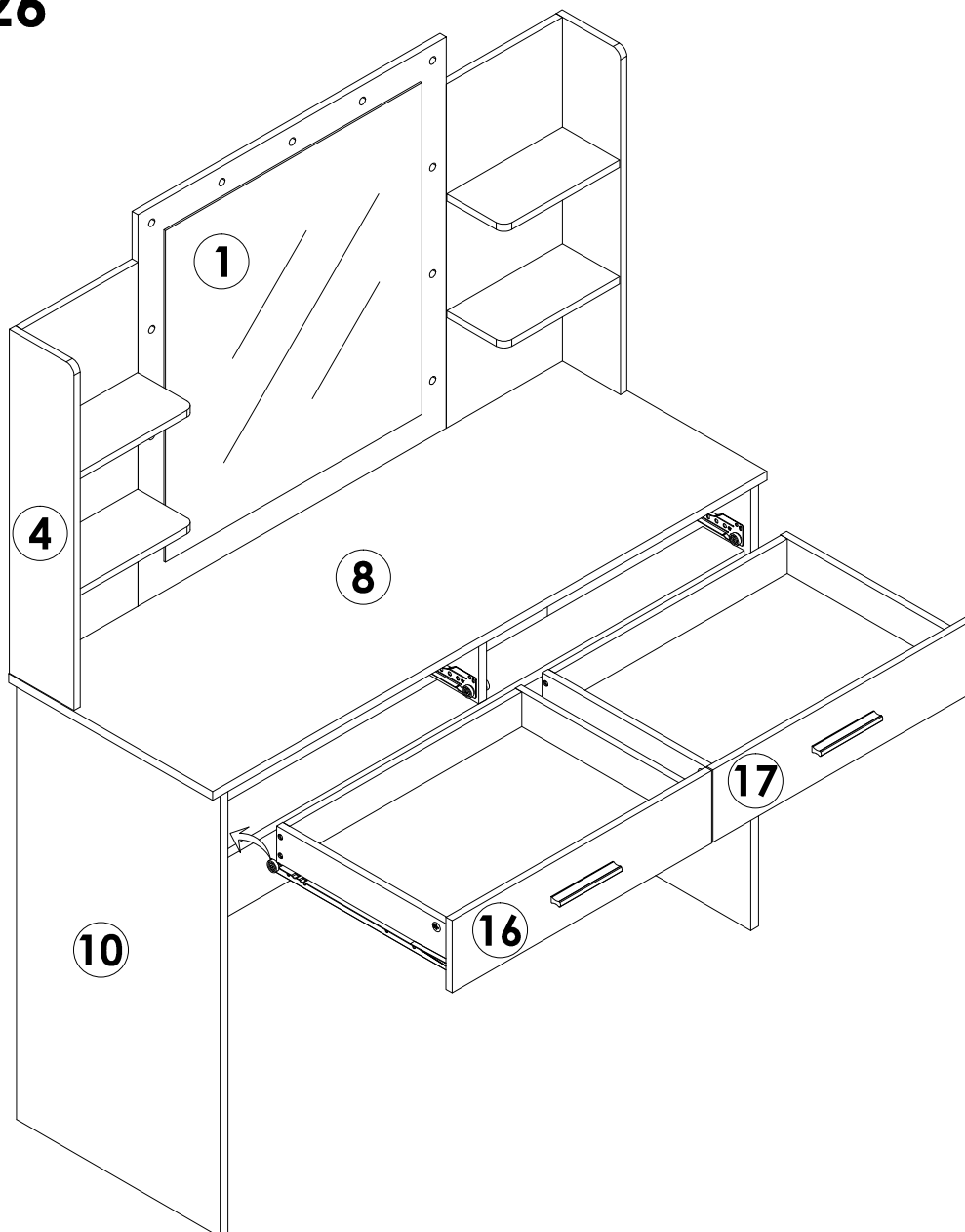


DL x 2PCS

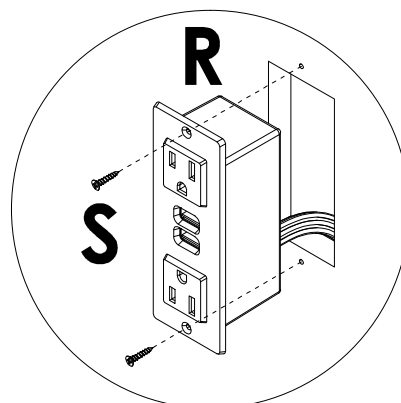
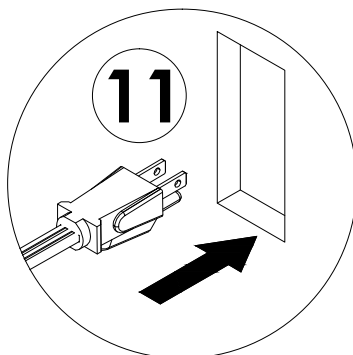
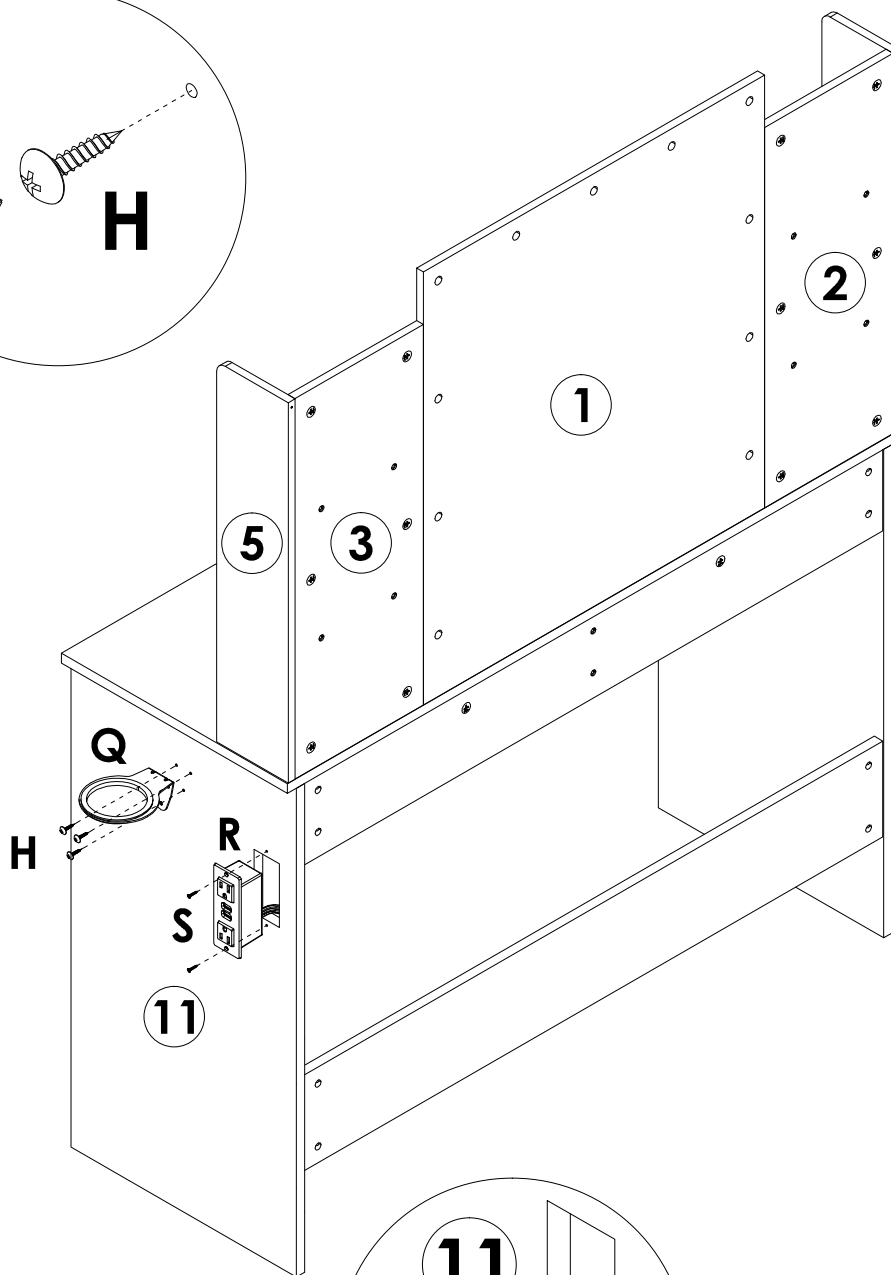
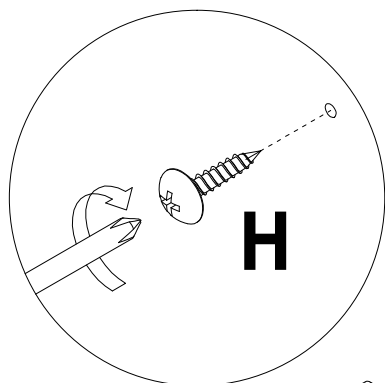


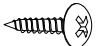



DR x 2PCS

STEP 26



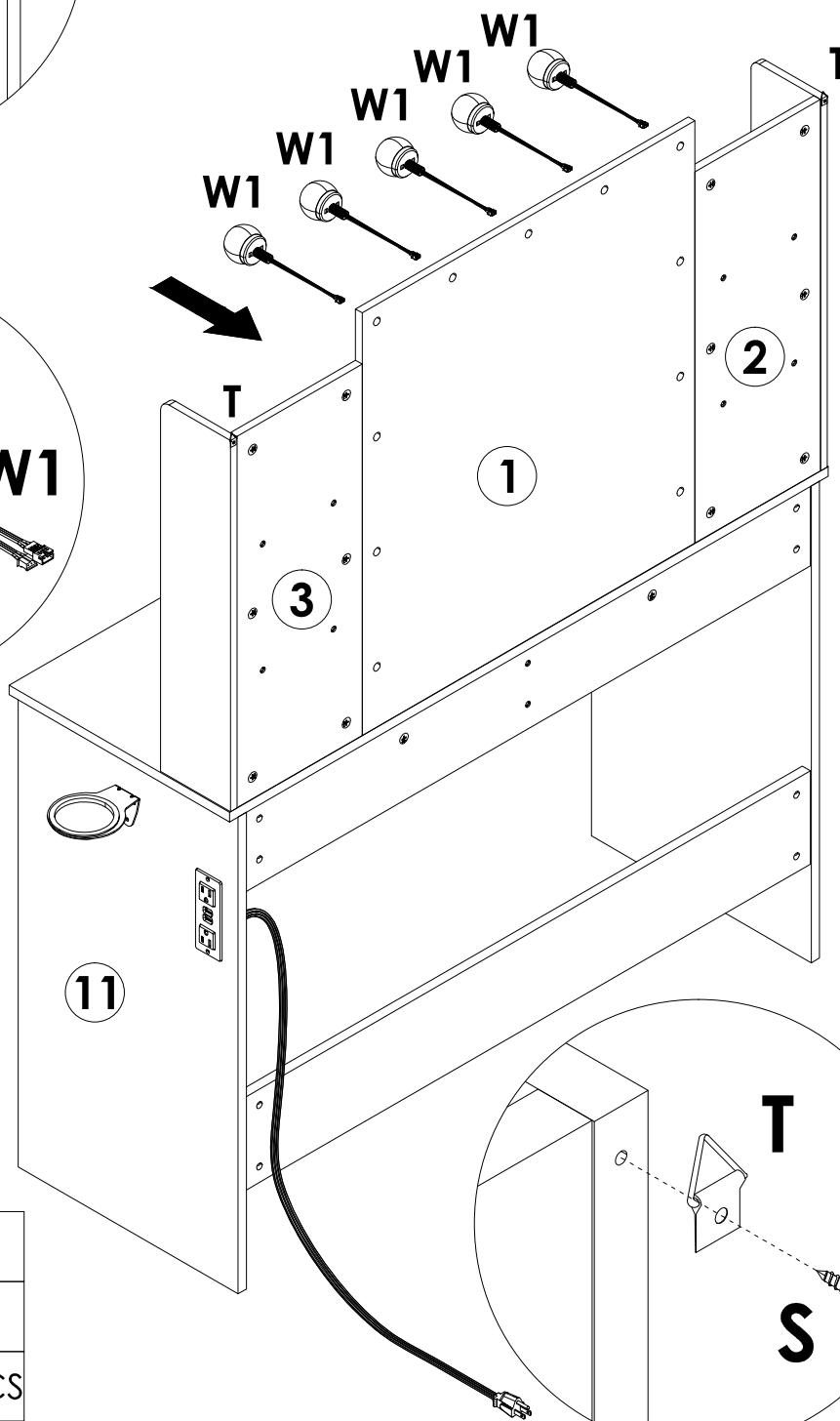
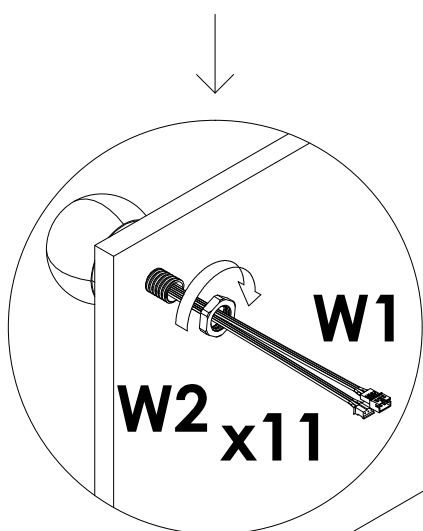
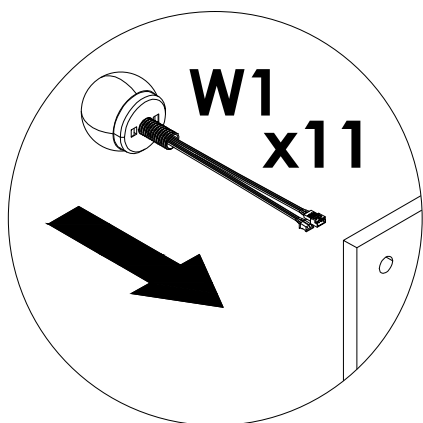
STEP 27







	H x 3PCS
	Q x 1PC
	R x 1PC
	S x 2PCS

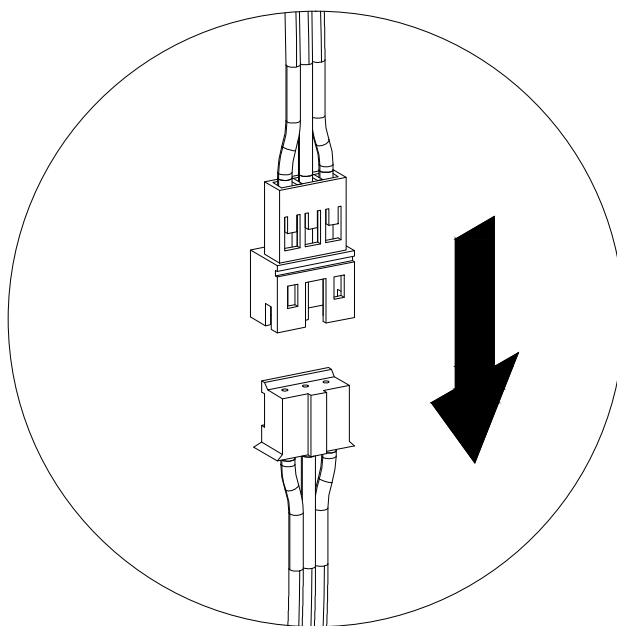
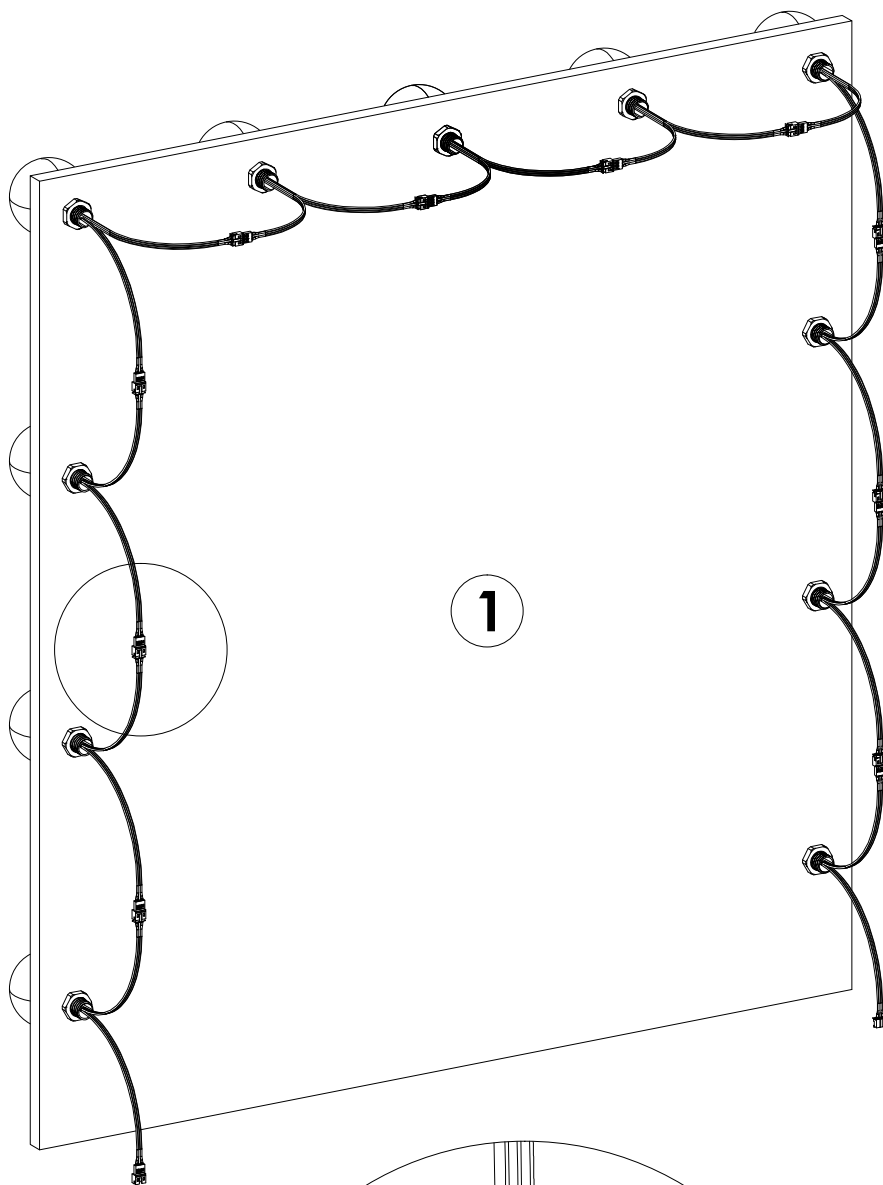
Assembly Steps(EN) / Montageschritte(DE)

STEP 28

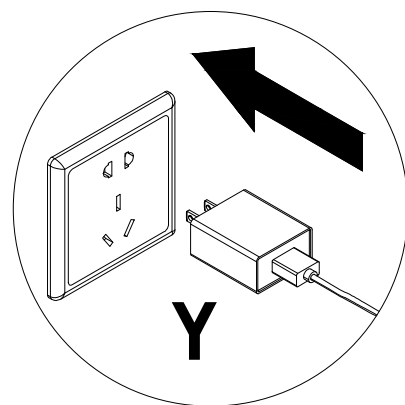
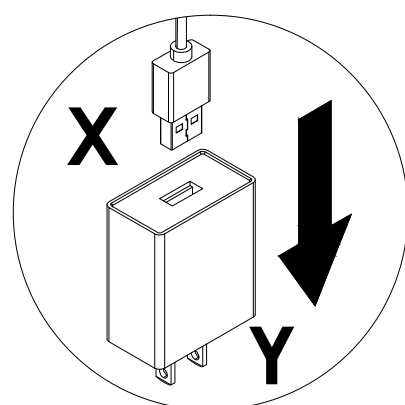
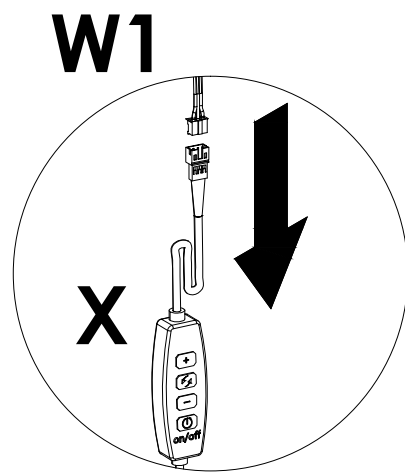
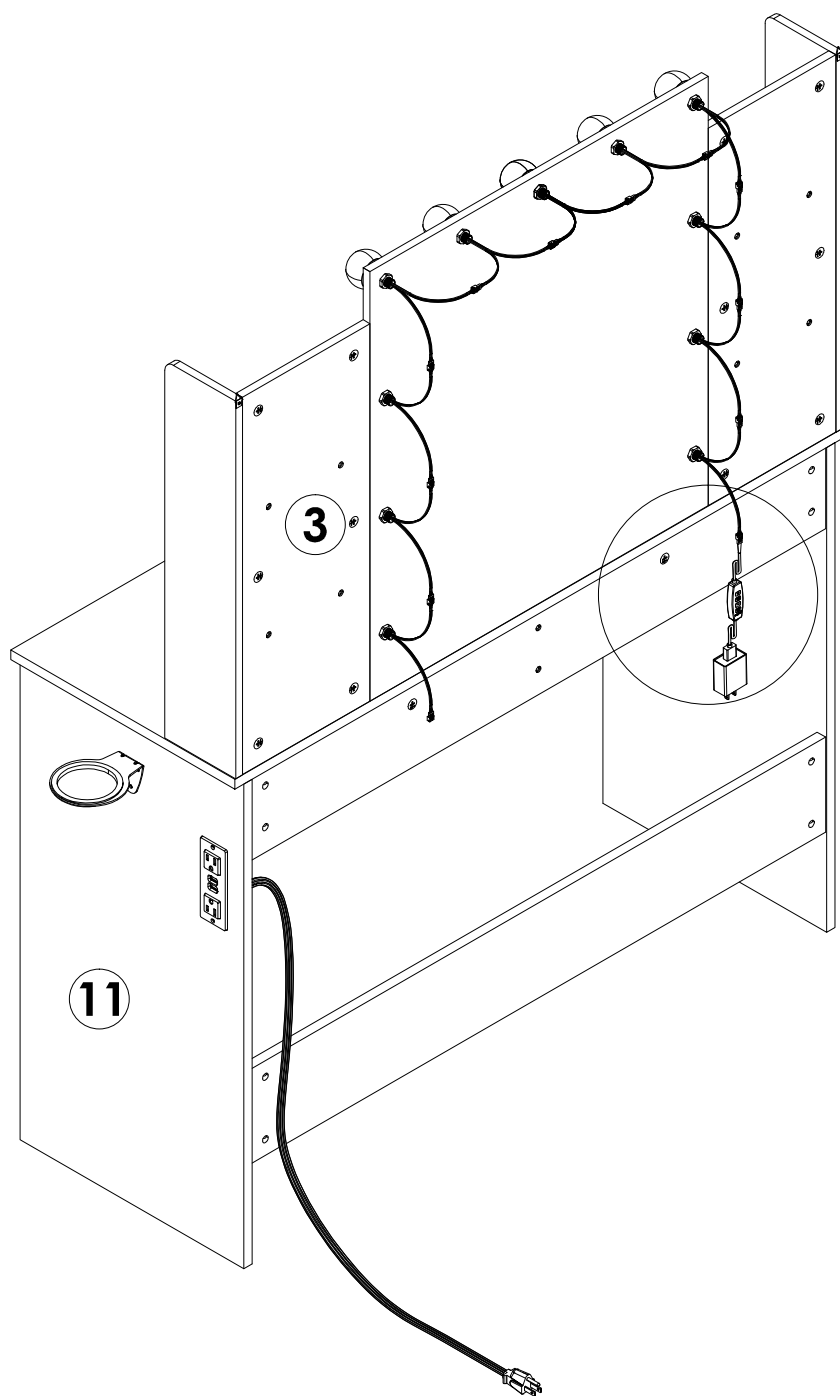


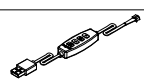
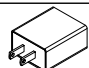
	S x 2PCS
	T x 2PCS
	W1 x 11PCS
	W2 x 11PCS

STEP 29

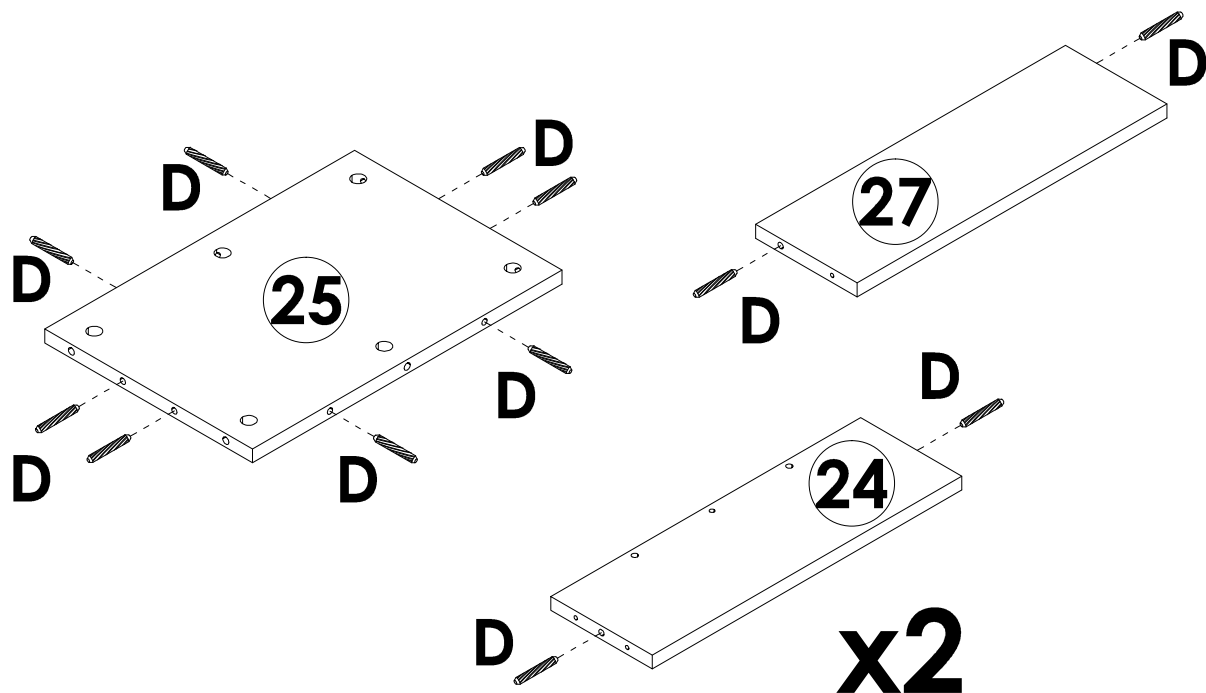


STEP 30



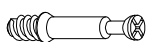
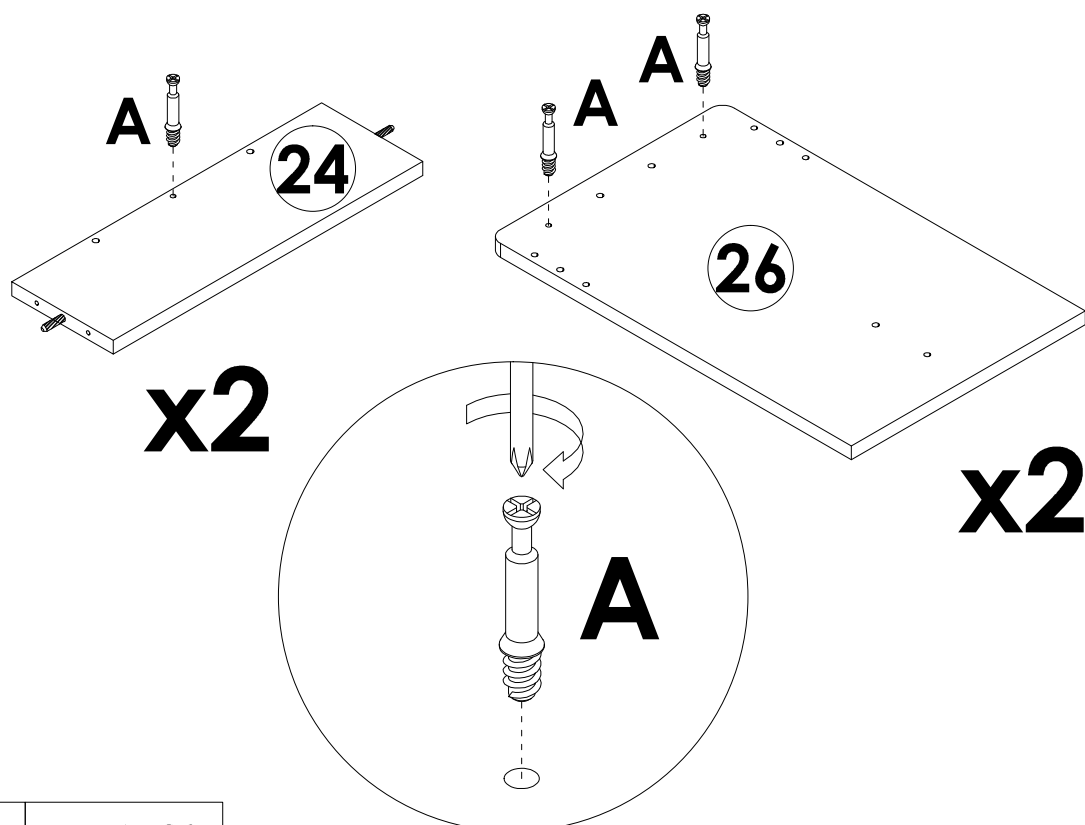
	X x 1PC
	Y x 1PC

STEP 31



D x 14PCS

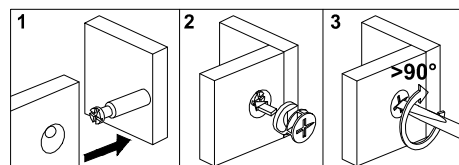
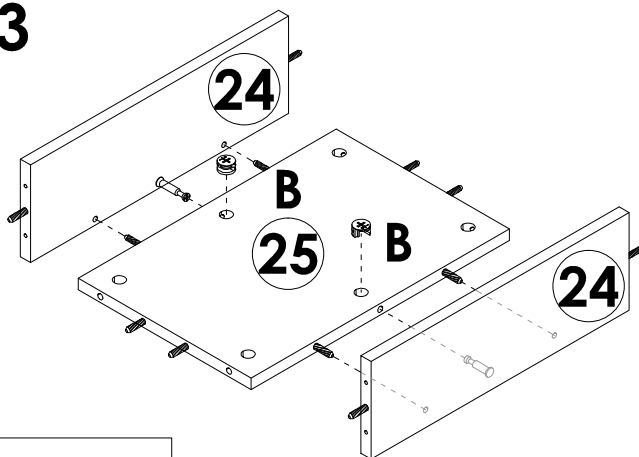
STEP 32



A x 6PCS

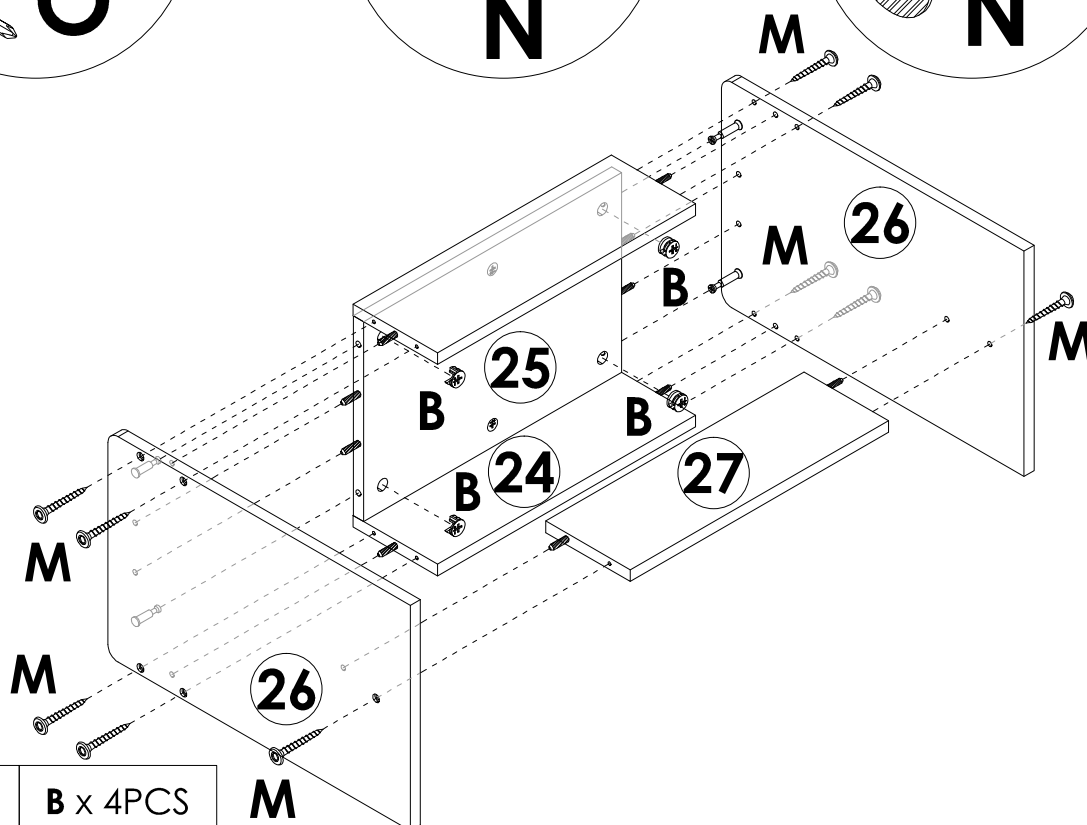
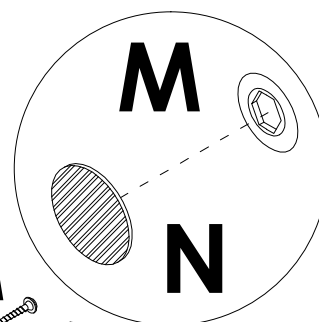
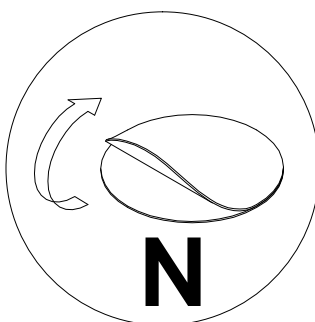
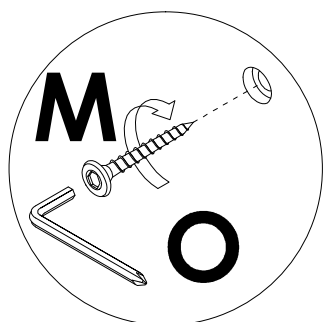
Assembly Steps(EN) / Montageschritte(DE)

STEP 33



B x 2PCS

STEP 34



B x 4PCS



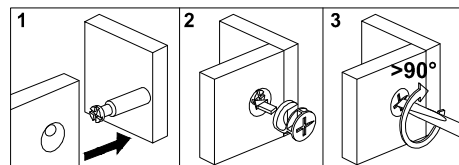
M x 10PCS



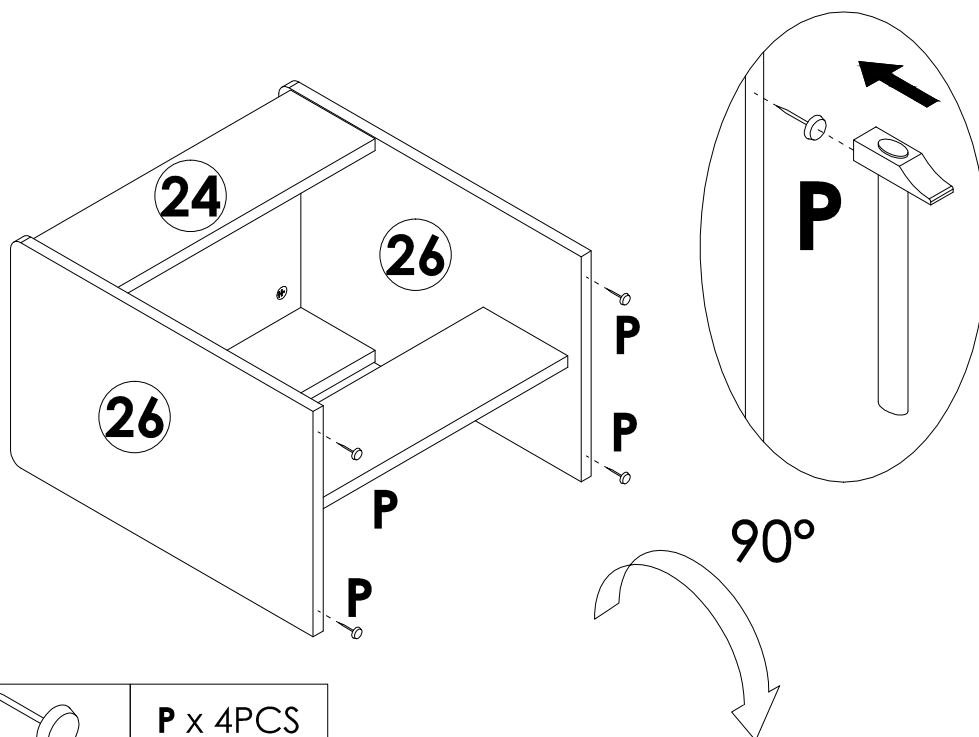
N x 10PCS



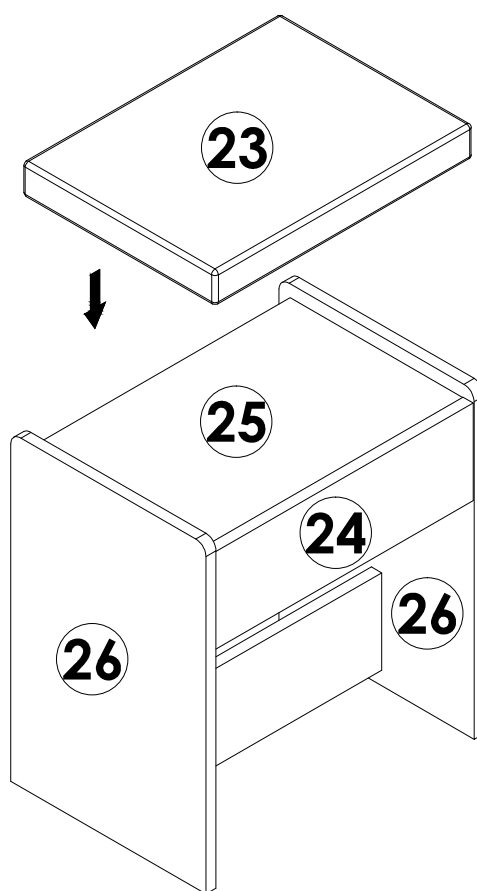
O x 1PC



STEP 35

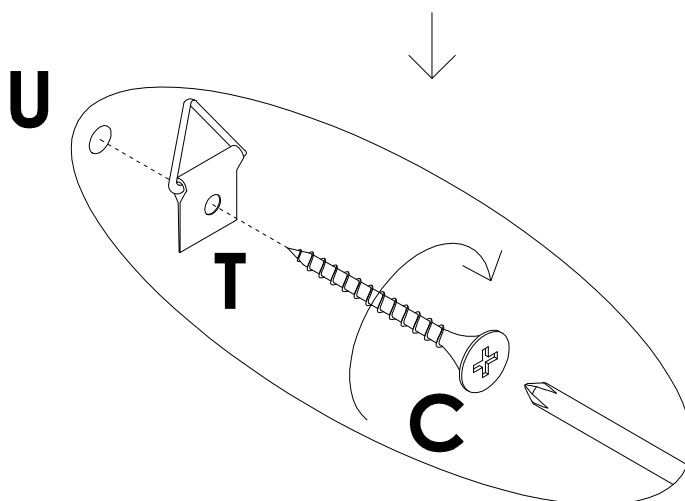
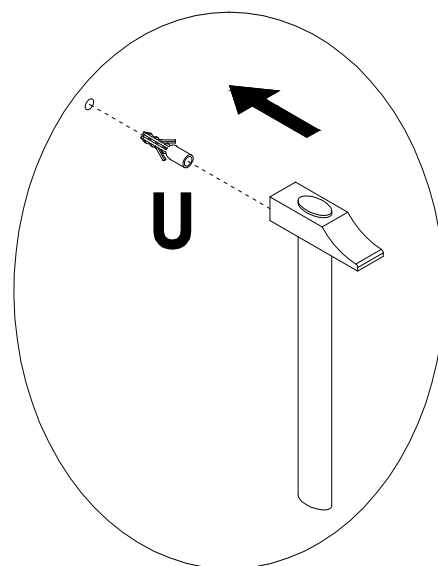
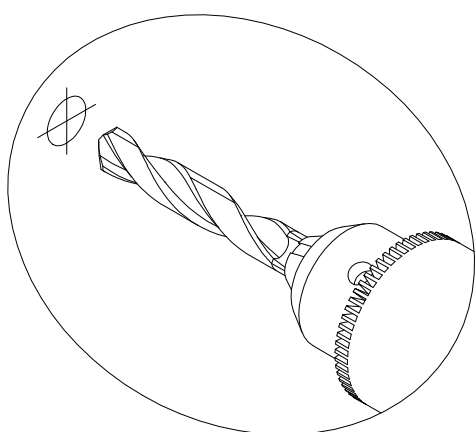
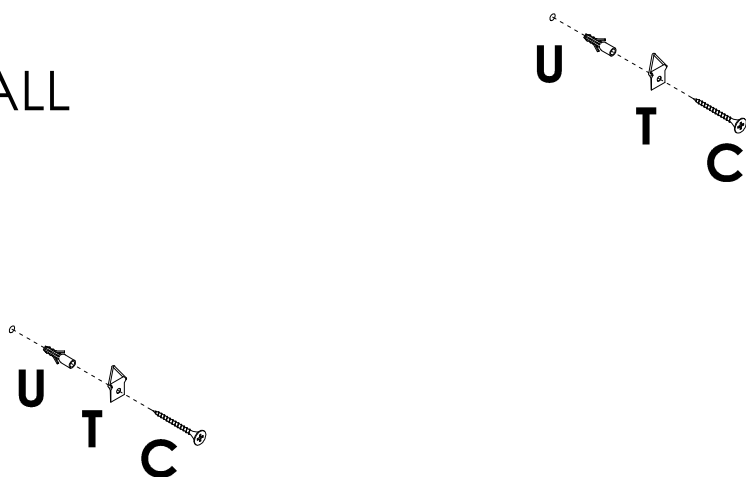


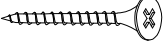


STEP 36



STEP 37

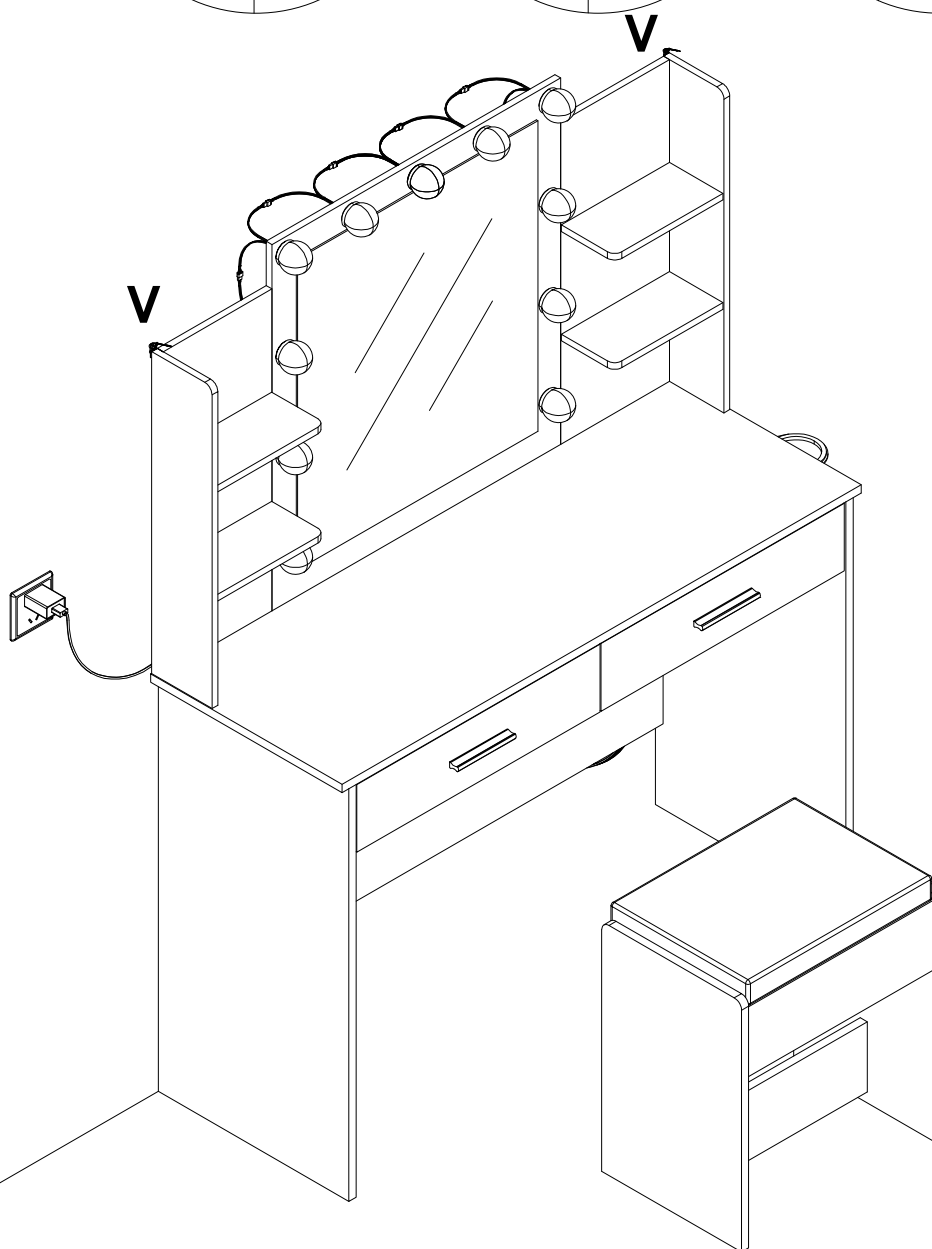
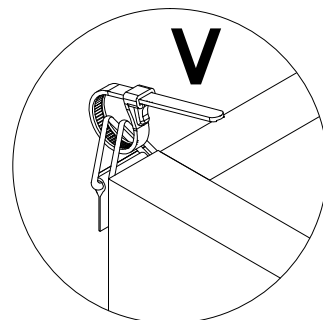
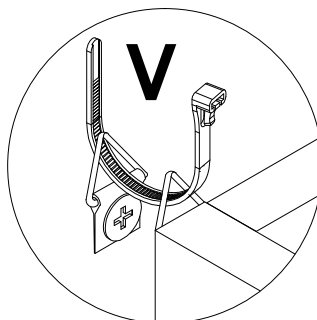
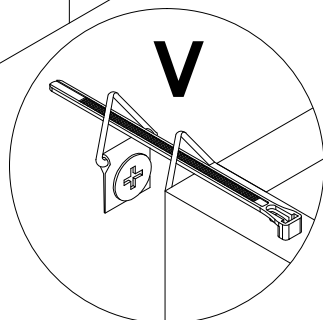
WALL



	C x 2PCS
	T x 2PCS
	U x 2PCS

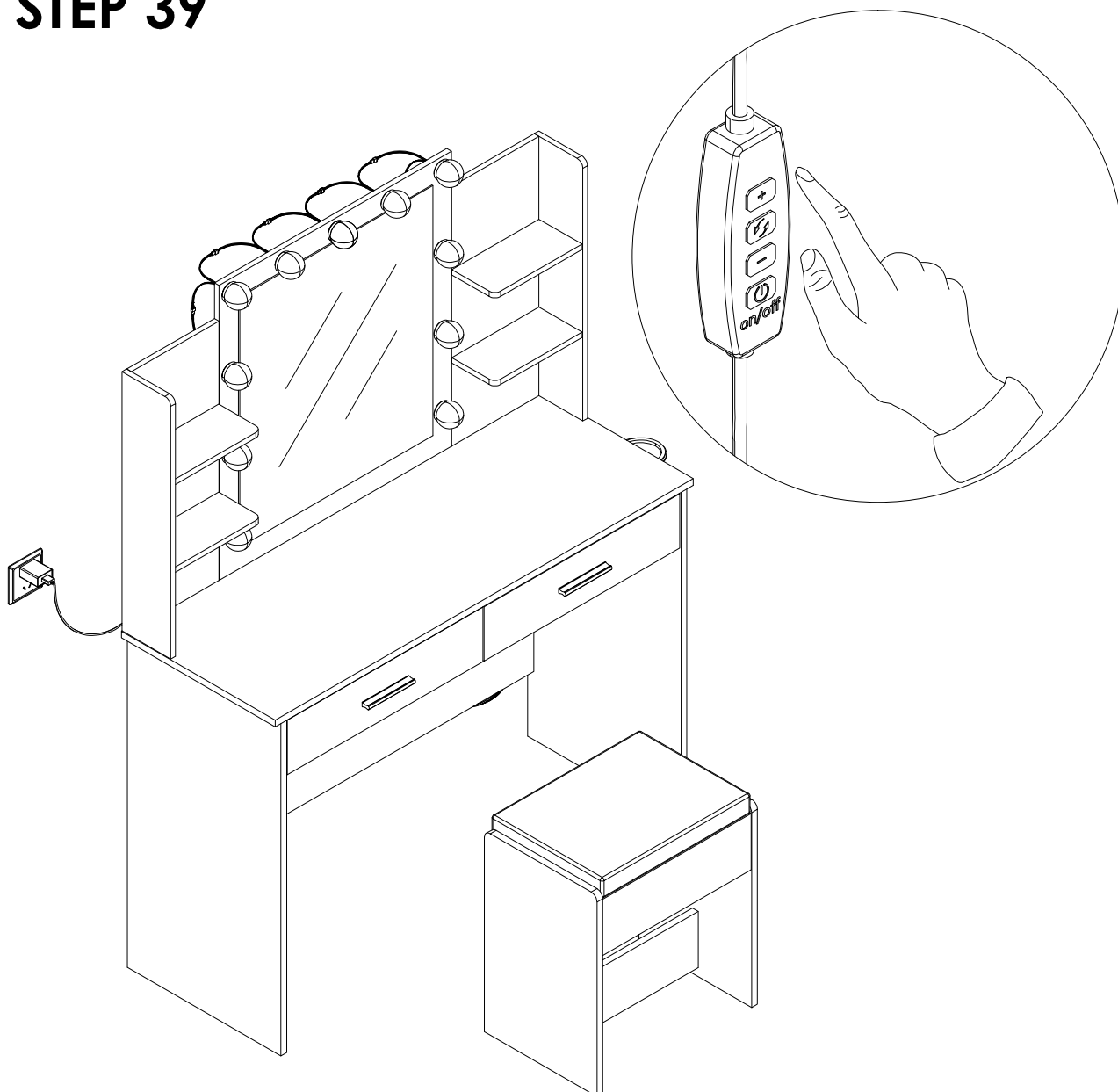
STEP 38

WALL



V x 2PCS

STEP 39



When the power is turned on, press the button , the light bulb is turned on/off.

When the light bulb is turn on, press the button to change the light color.

Press + or - button to adjust the brightness of the light, and the color of the light will not be changed.

WARNING



Children have died from furniture tipover. To reduce the risk of furniture tipover:

- **ALWAYS** install Anti-tip device provided.
- **NEVER** put a TV on this product.
- **NEVER** allow children to stand, climb or hang on any drawers, doors, or shelves.
- **NEVER** open more than one drawer at a time.
- Place heaviest items in the lowest drawers.

***This is a permanent label.
Do not remove!***