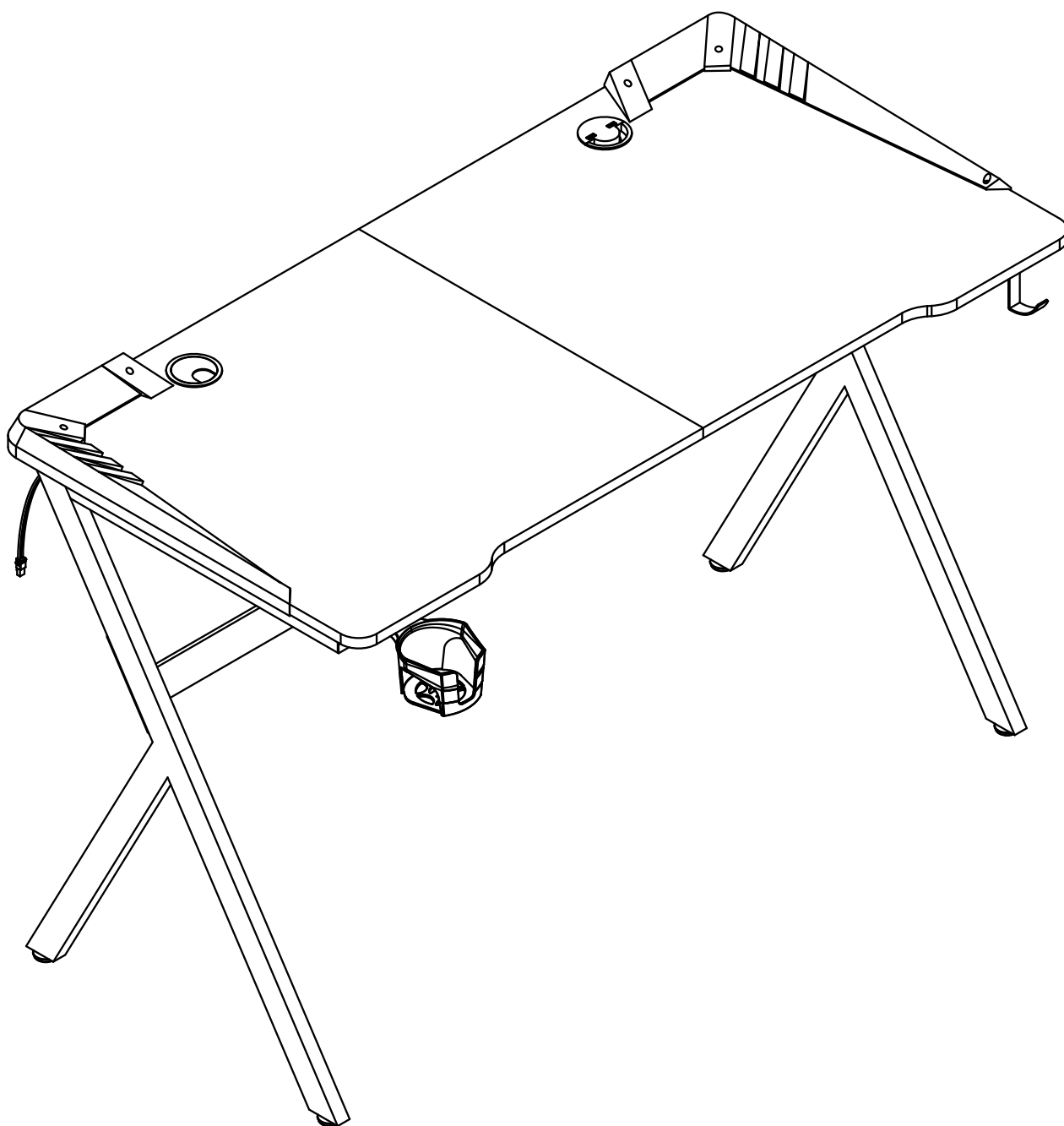


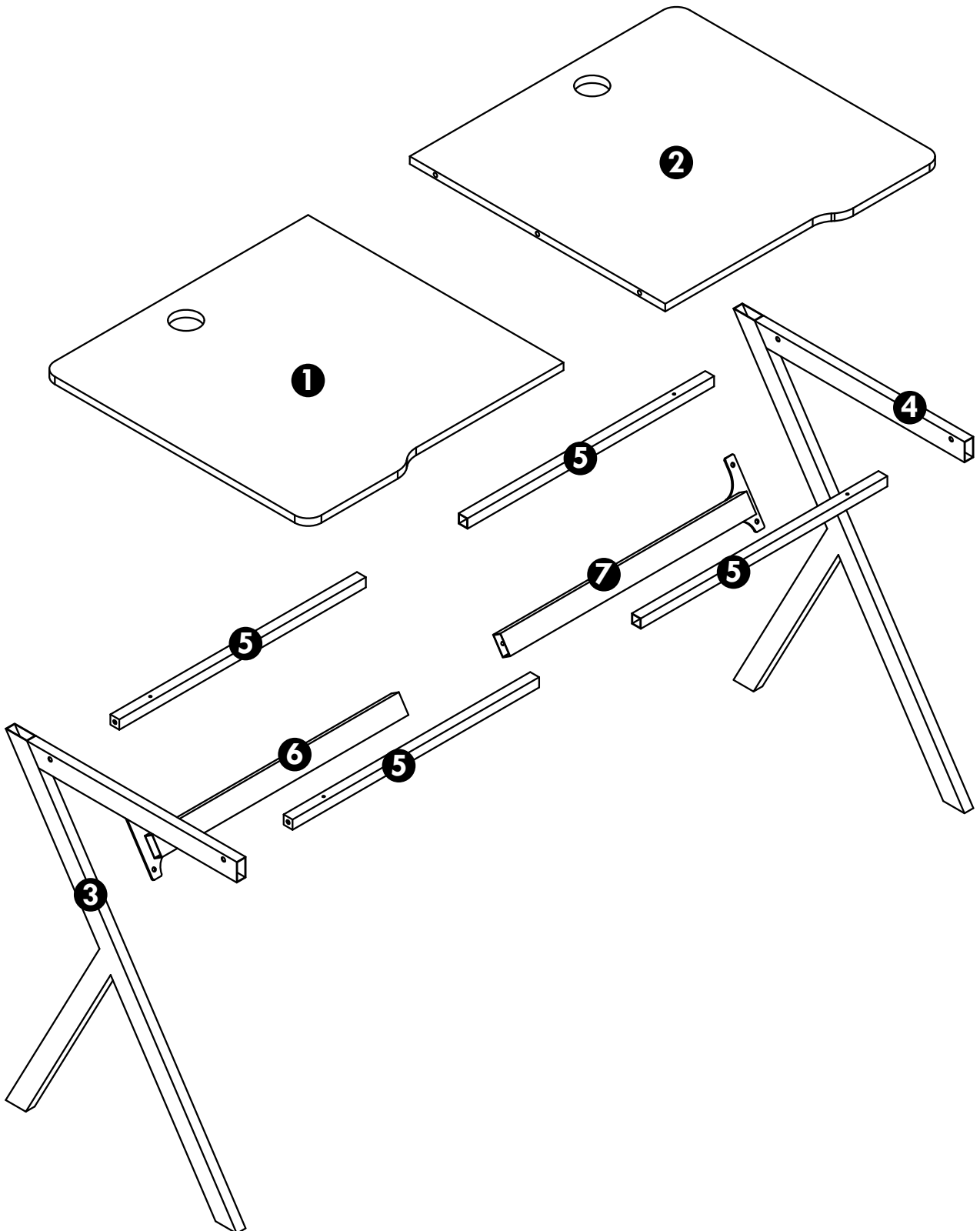
LED God Of War Electronic Sports Table

Assemble Instruction

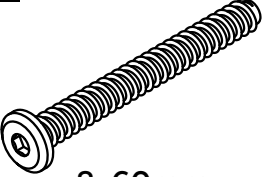

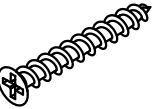


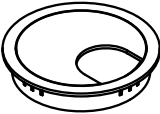
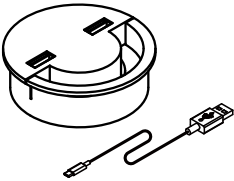
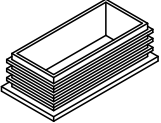
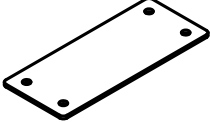
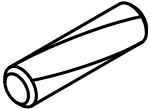
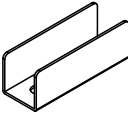
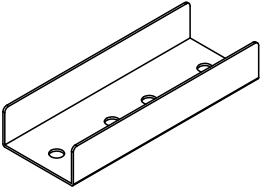
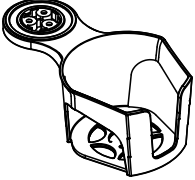
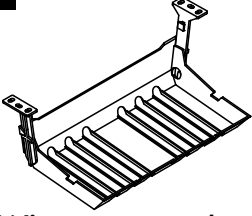
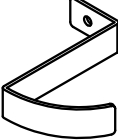
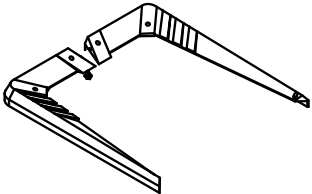
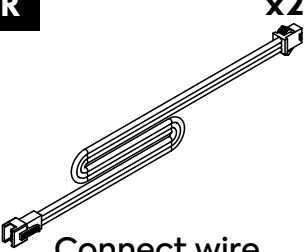
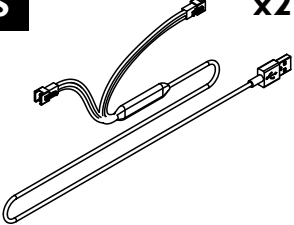
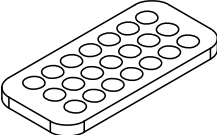
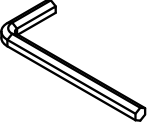
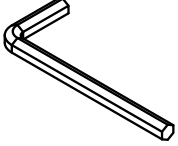
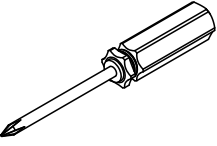


Assembly List

Please check quantity of all objects before process any cartons or package materials. Advise the floor firstly use filling or spreading carpet area to avoid damage before assemble. For safety, we advise that two people assemble it.

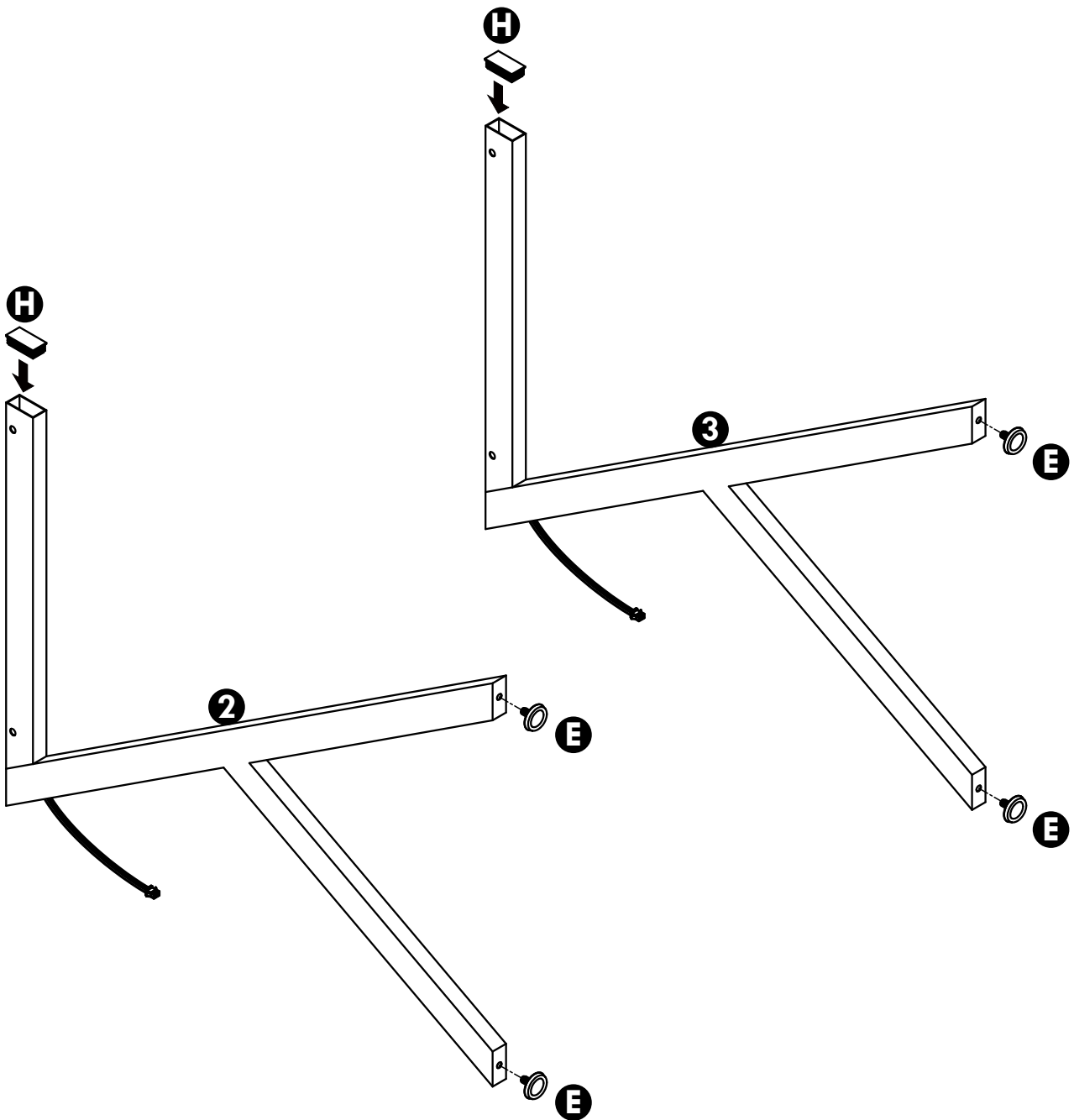
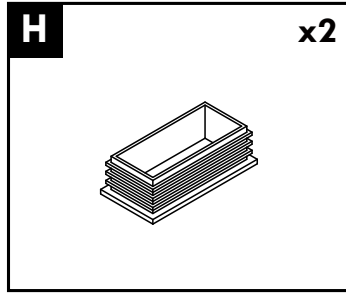
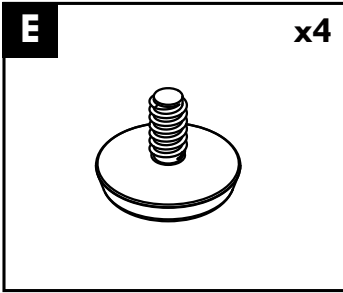


Hardware List (Please check quantity of all objects, then start assembling)

<p>A x4</p>  <p>8x60mm Long screw</p>	<p>B x12</p>  <p>6x16mm Short screw</p>	<p>C x4</p>  <p>3x40mm Long screw</p>	<p>D x22</p>  <p>3x15mm Short screw</p>
<p>E x4</p>  <p>Adjustable Foot</p>	<p>F x1</p>  <p>Wire threading hole cover</p>	<p>G x1</p>  <p>Wire threading hole cover</p>	<p>H x2</p>  <p>Plug</p>
<p>I x2</p>  <p>Flat steel iron shee</p>	<p>J x3</p>  <p>Wood tenon</p>	<p>K x2</p>  <p>Type U steel iron sheet</p>	<p>L x1</p>  <p>Type U steel iron sheet</p>
<p>M x1</p>  <p>Water cup rack</p>	<p>N x1</p>  <p>Wire arrange box</p>	<p>O x1</p>  <p>Earphone hook</p>	<p>P x1</p>  <p>Table Lamp</p>
<p>R x2</p>  <p>Connect wire</p>	<p>S x2</p>  <p>Supply power wire</p>	<p>T x1</p>  <p>Remoterr</p>	<p>U x1</p>  <p>4# Allen Key</p>
<p>V x1</p>  <p>5# Screw driver</p>	<p>W x1</p>  <p>Screw driver</p>		

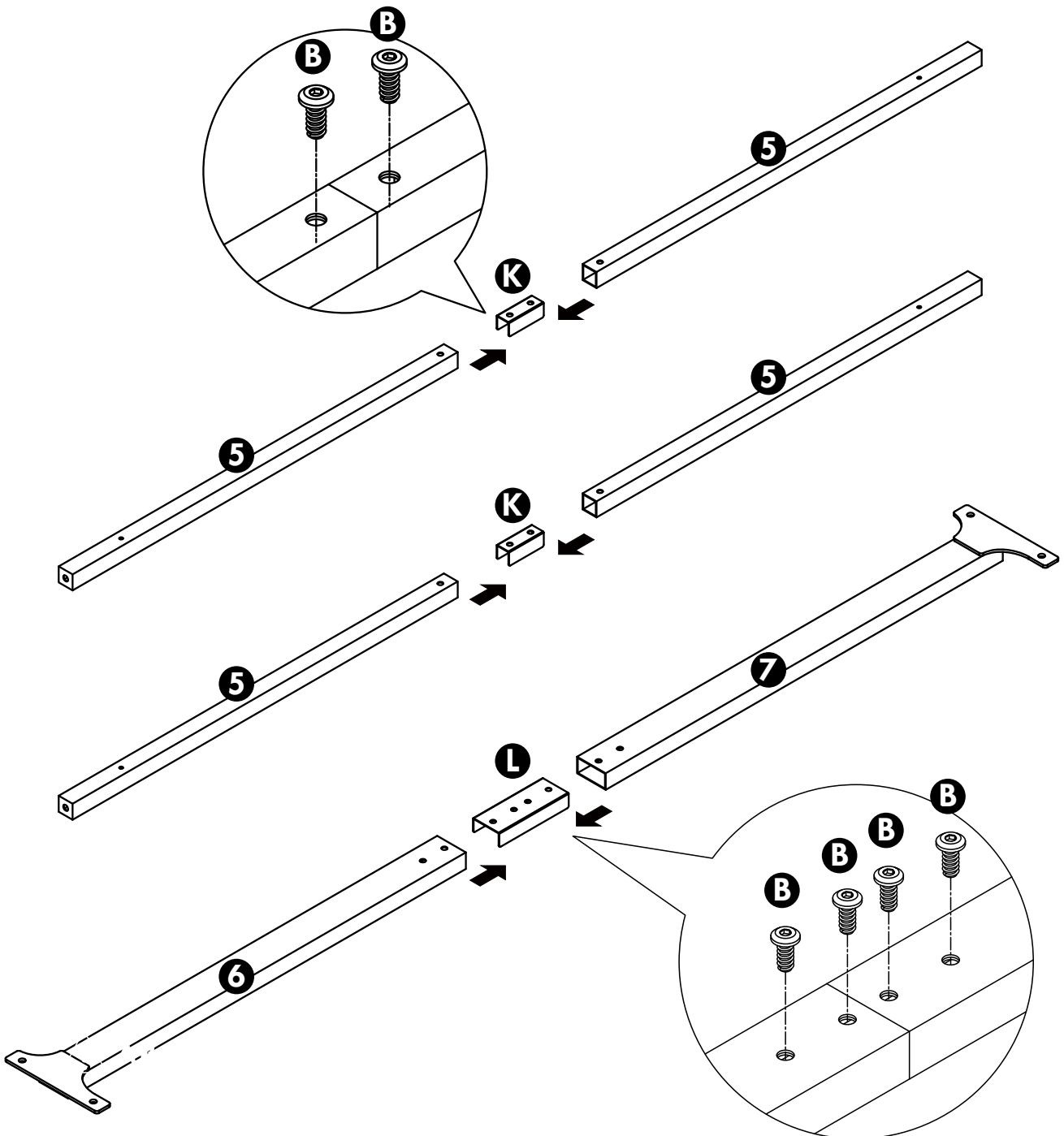
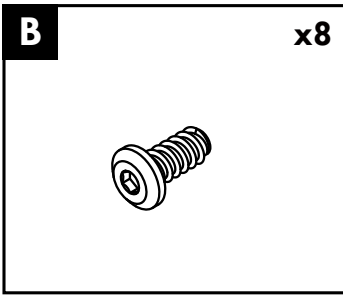
Step 1

Install the adjustment feed E and plug H on the side sheet 2 and 3



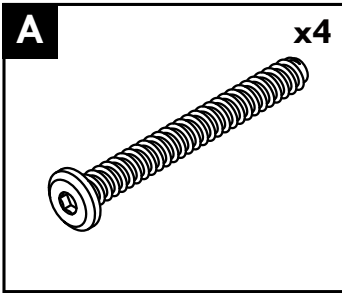
Step 2

Use type U iron part to connect cross bar (5&5) and (6&7) together, the use screw B to lock

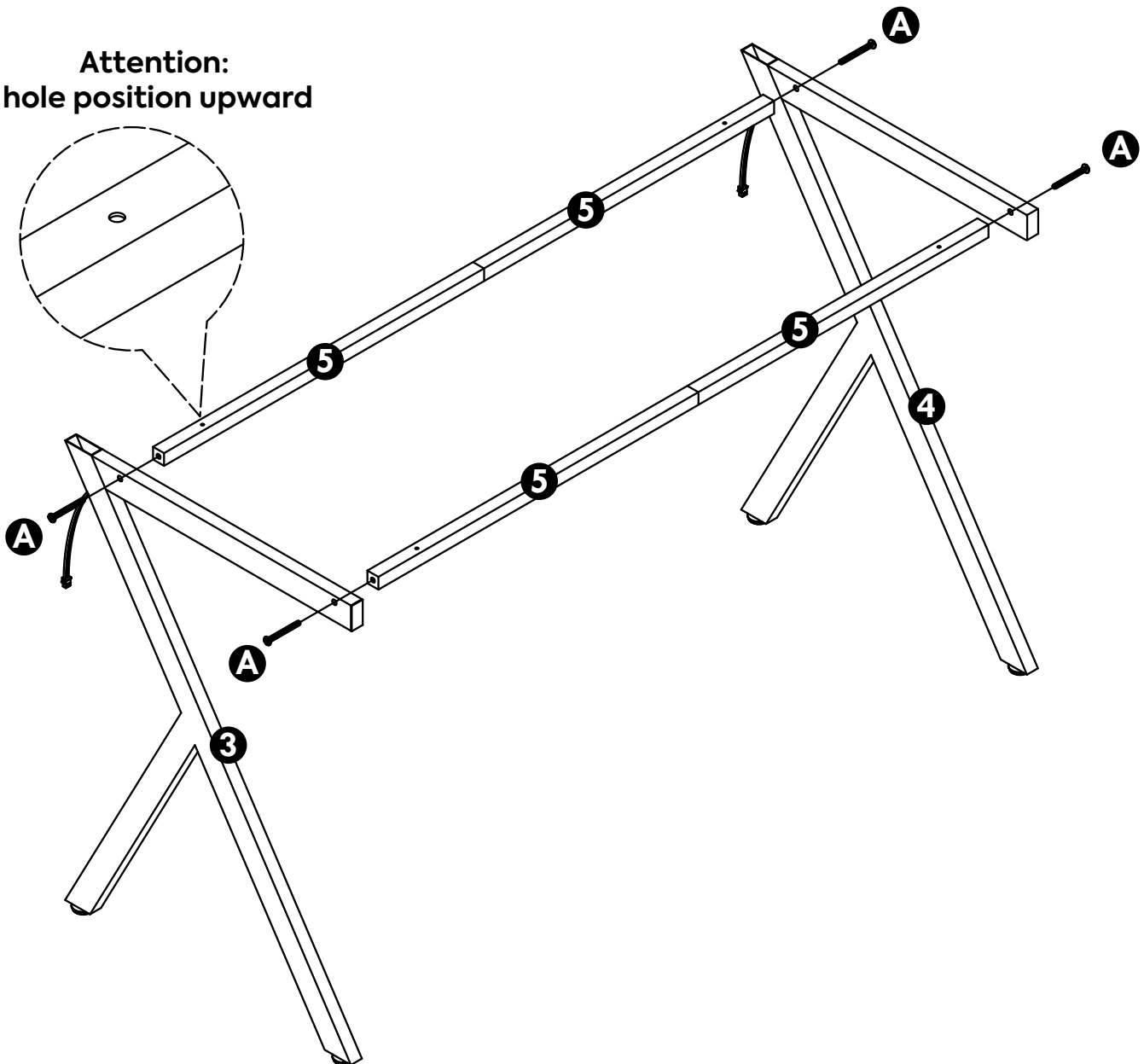


Step 3

Use screw A to assemble cross bar (5&5) with side sheets 3 and 4



Attention:
hole position upward

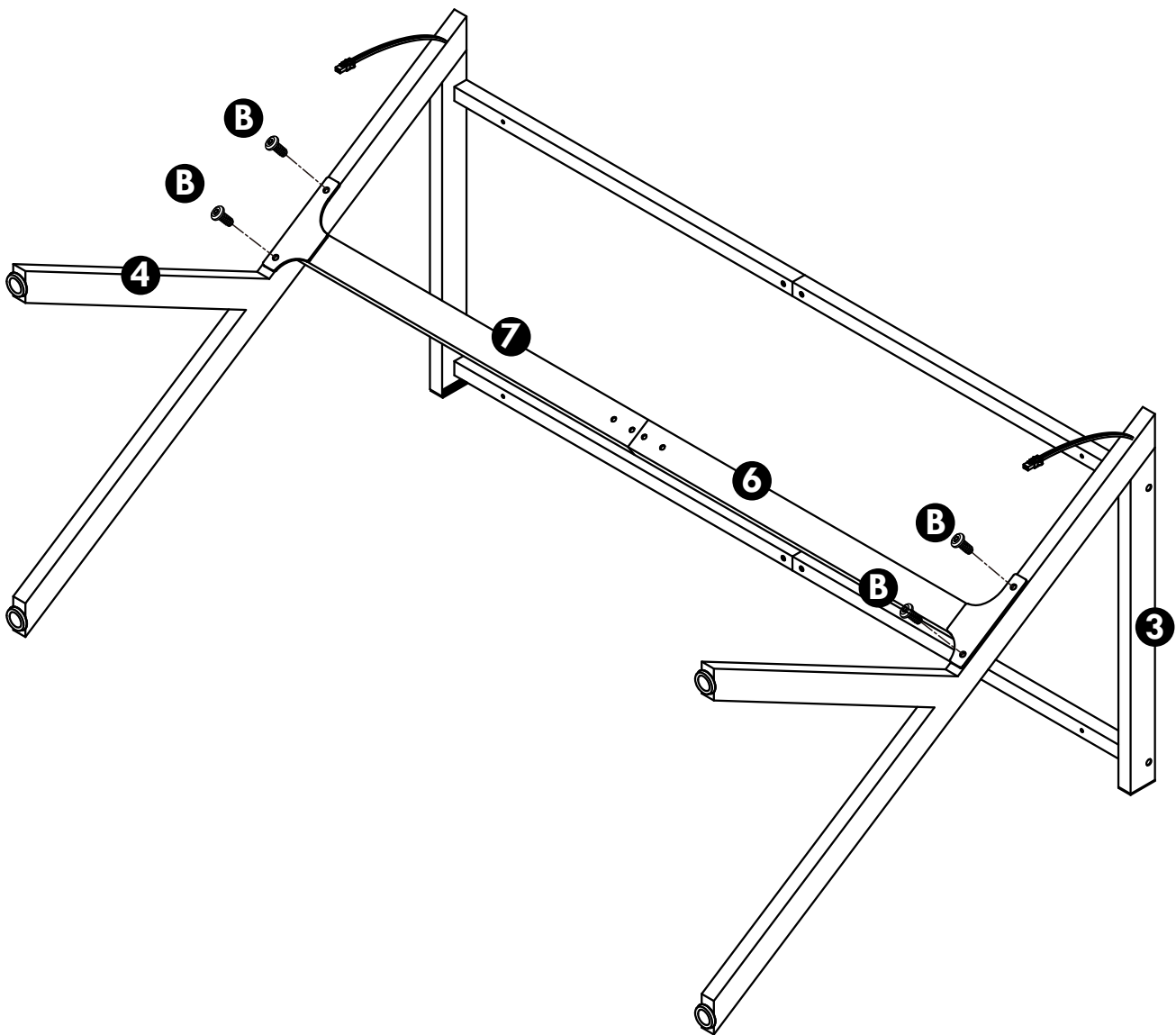
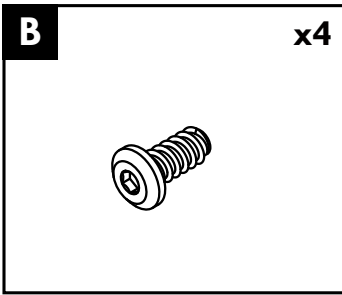


⚠ Attention

Please don't completely locked the screws before the frame assembly still not completely finish assemble.

Step 4

Use screw B to assemble cross bar 6 with side sheets 3 and 4

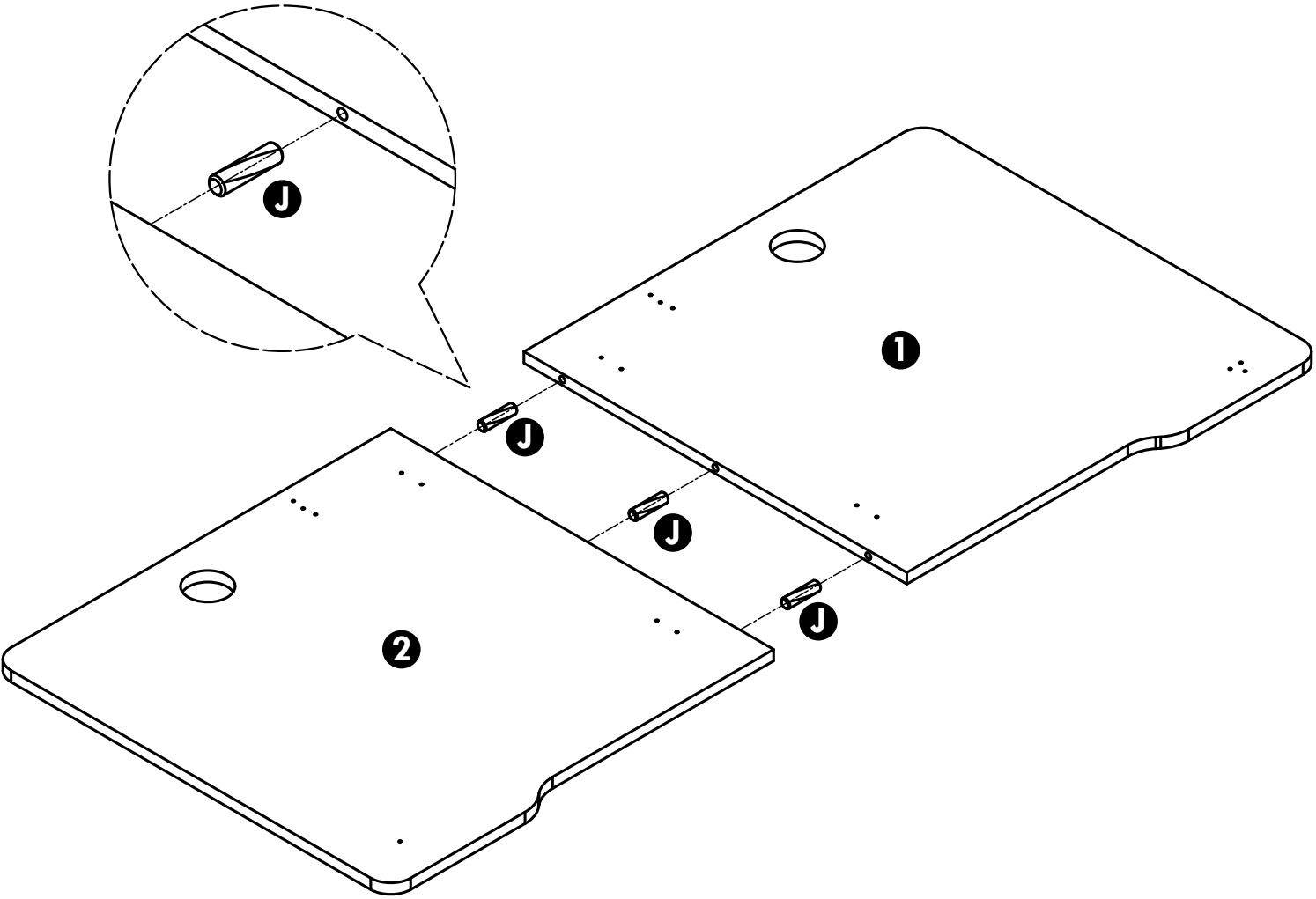
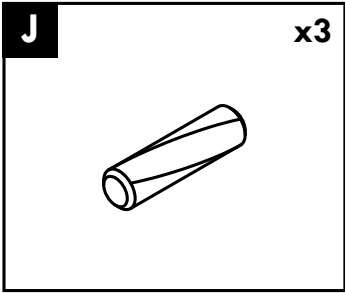


⚠ Attention

Till now, frame assembly all assembled, please completely twist all screws tighten.

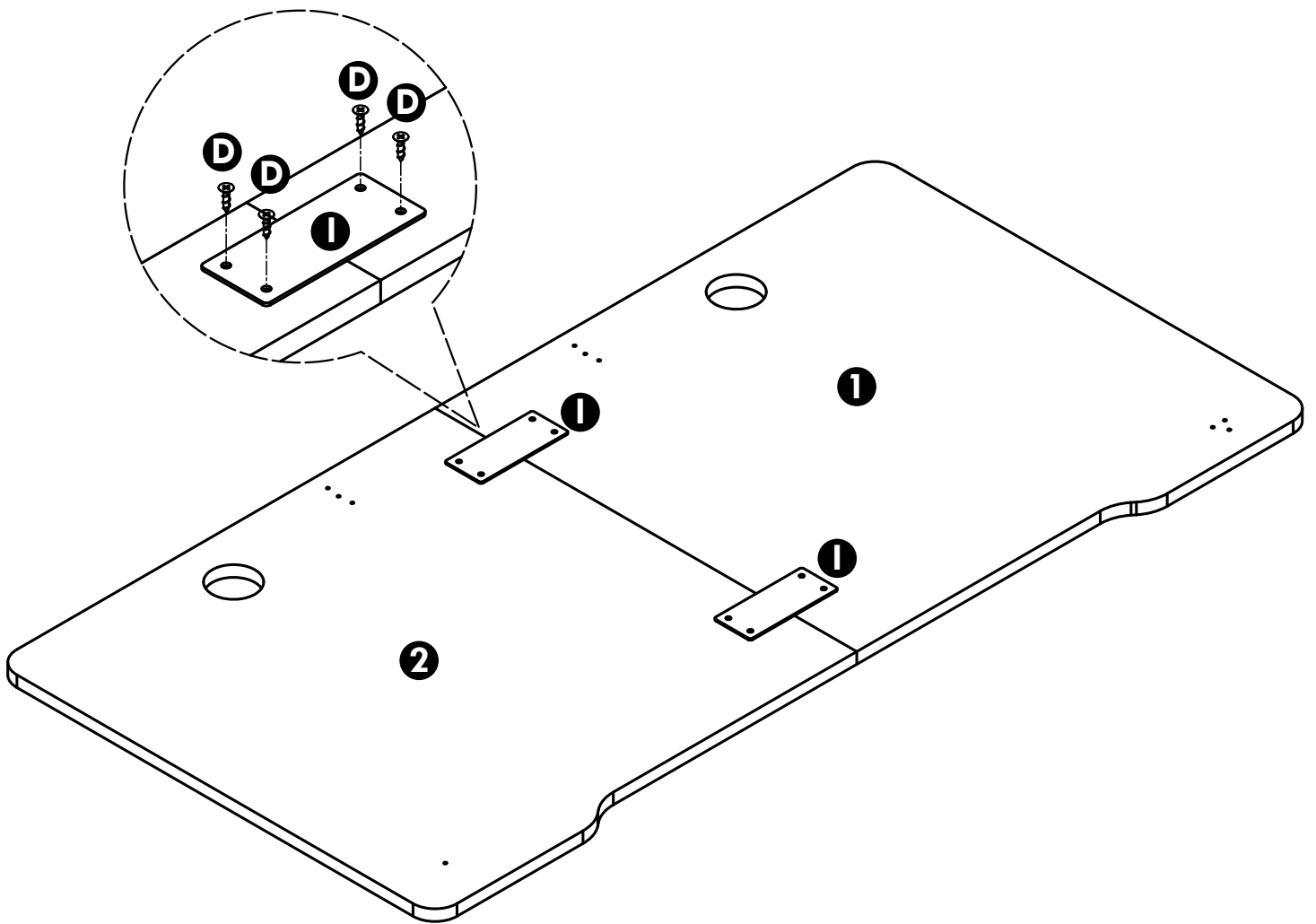
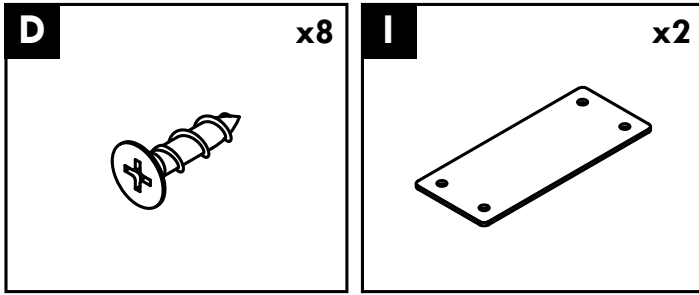
Step 5

Use wood tenon J to split joint table (1&2)



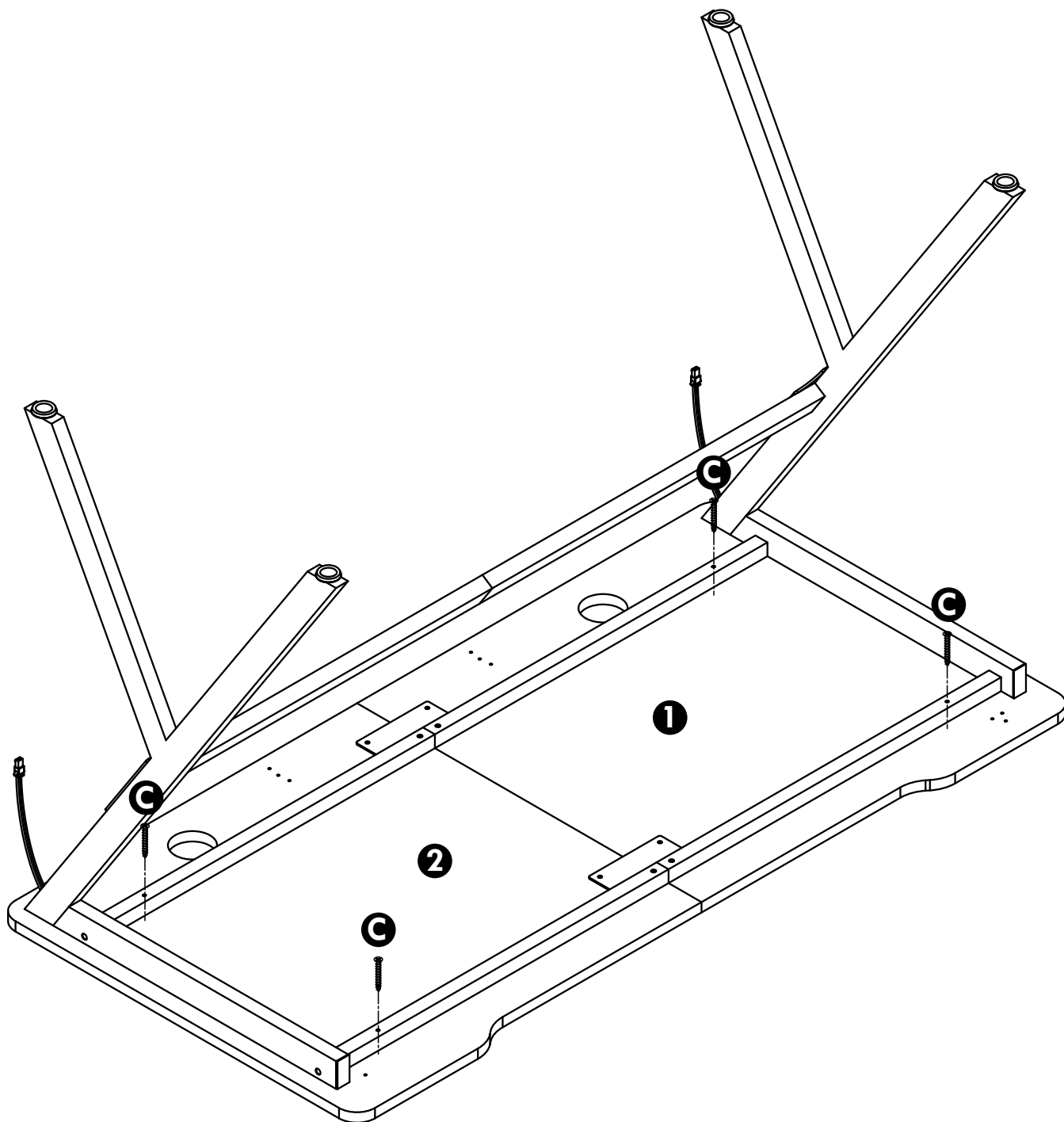
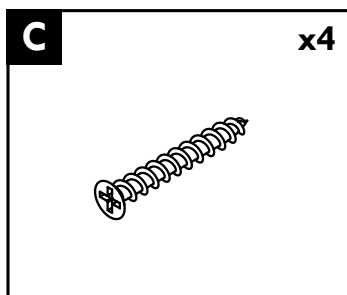
Step 6

Use screw D to lock iron sheet I and table (1&2)



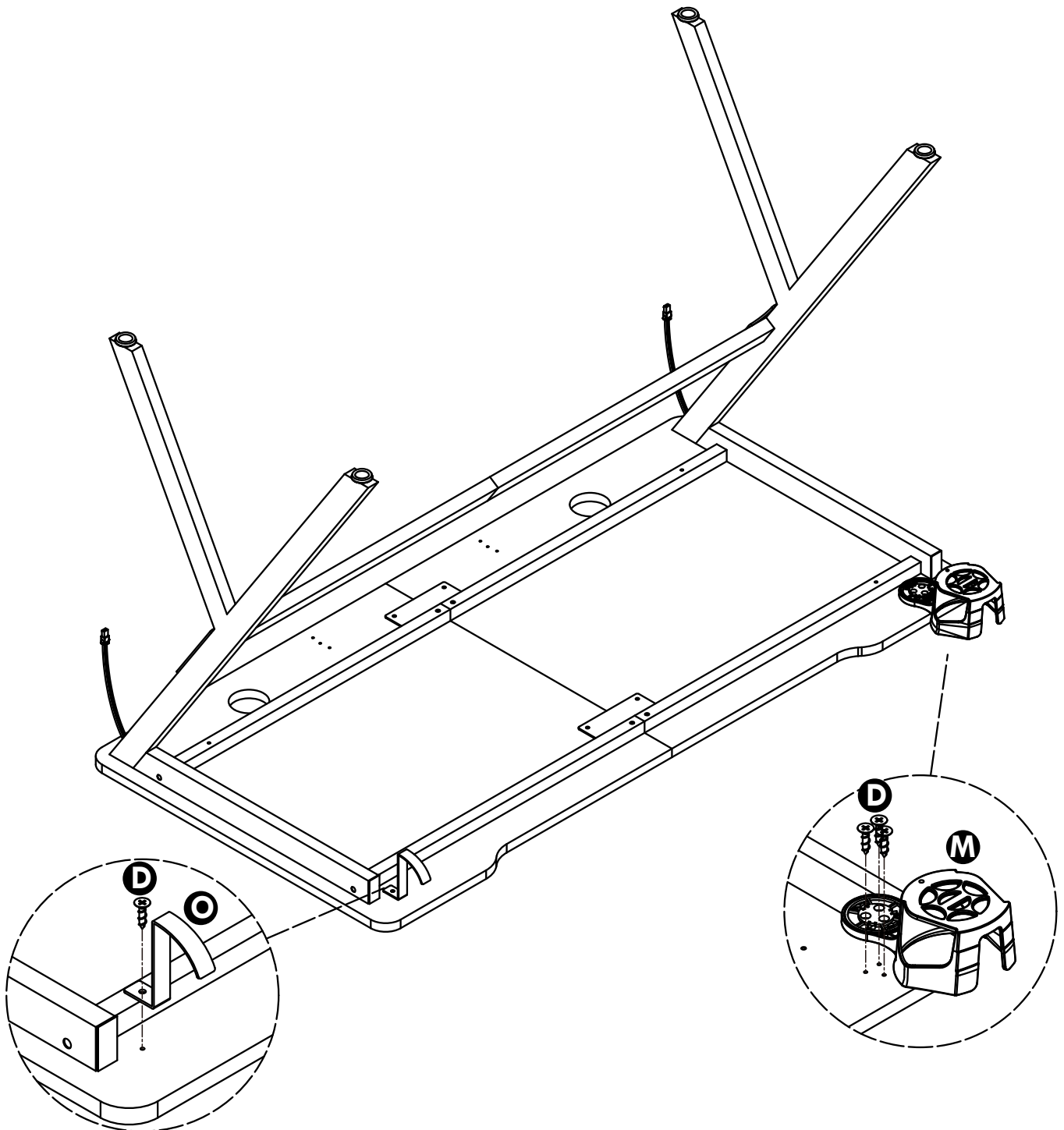
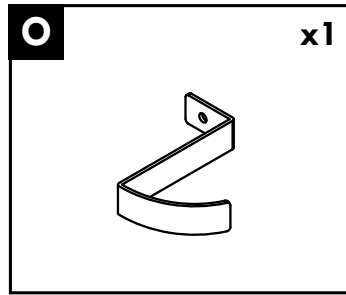
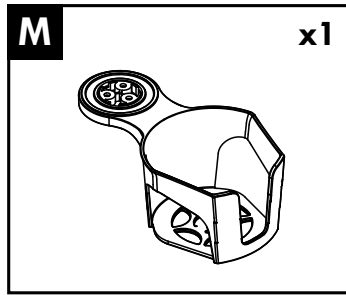
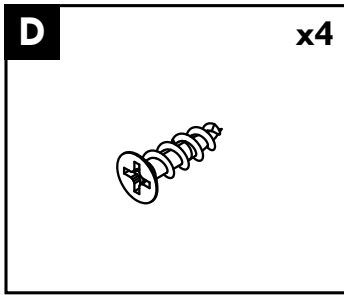
Step 7

Use screw C to assemble table frame and table (1&2)



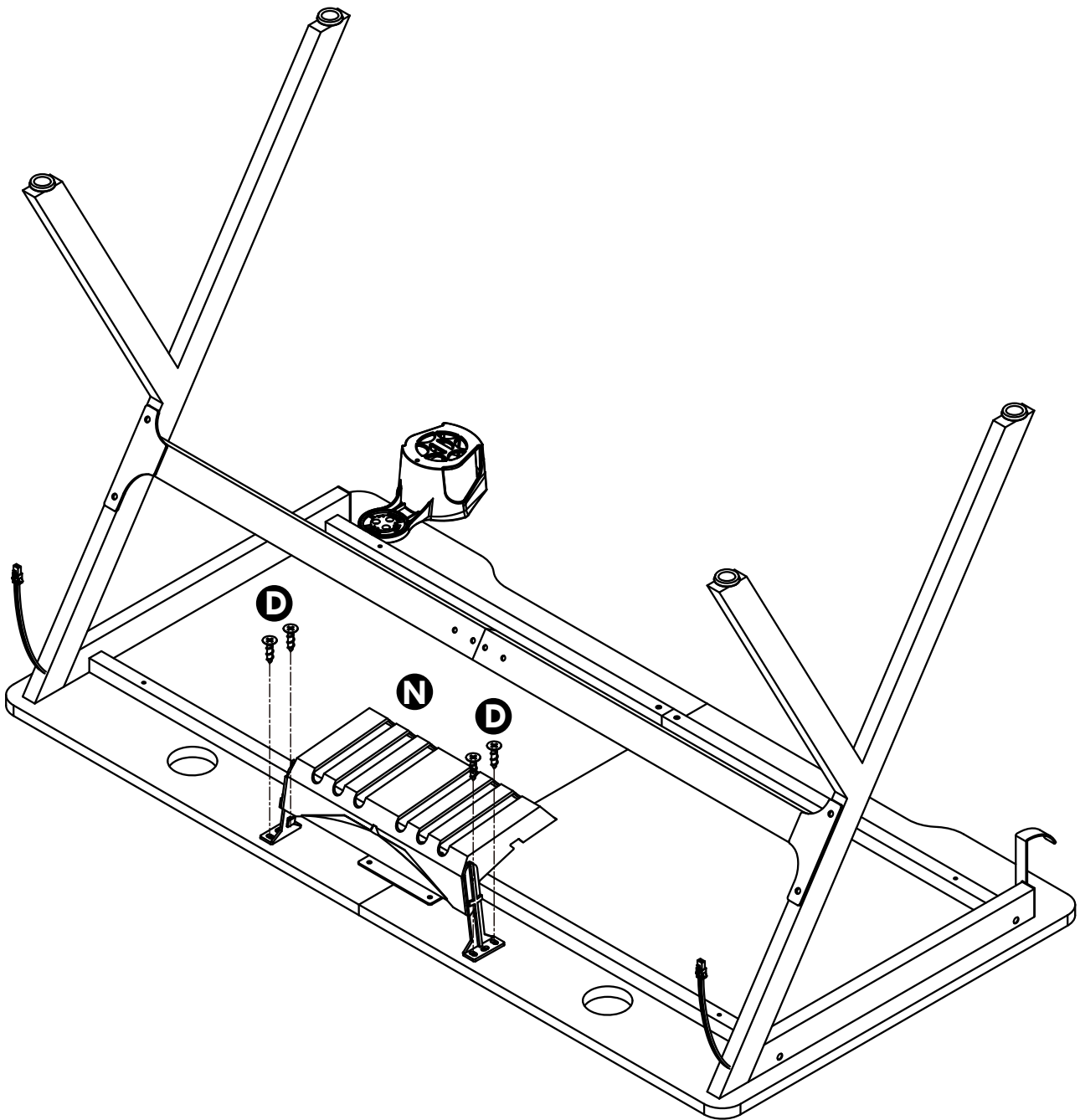
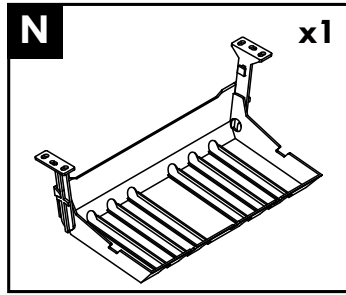
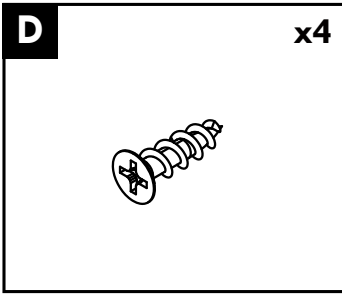
Step 8

Use screw D to assemble Water cup rack M, earphone hook O at the bottom of table



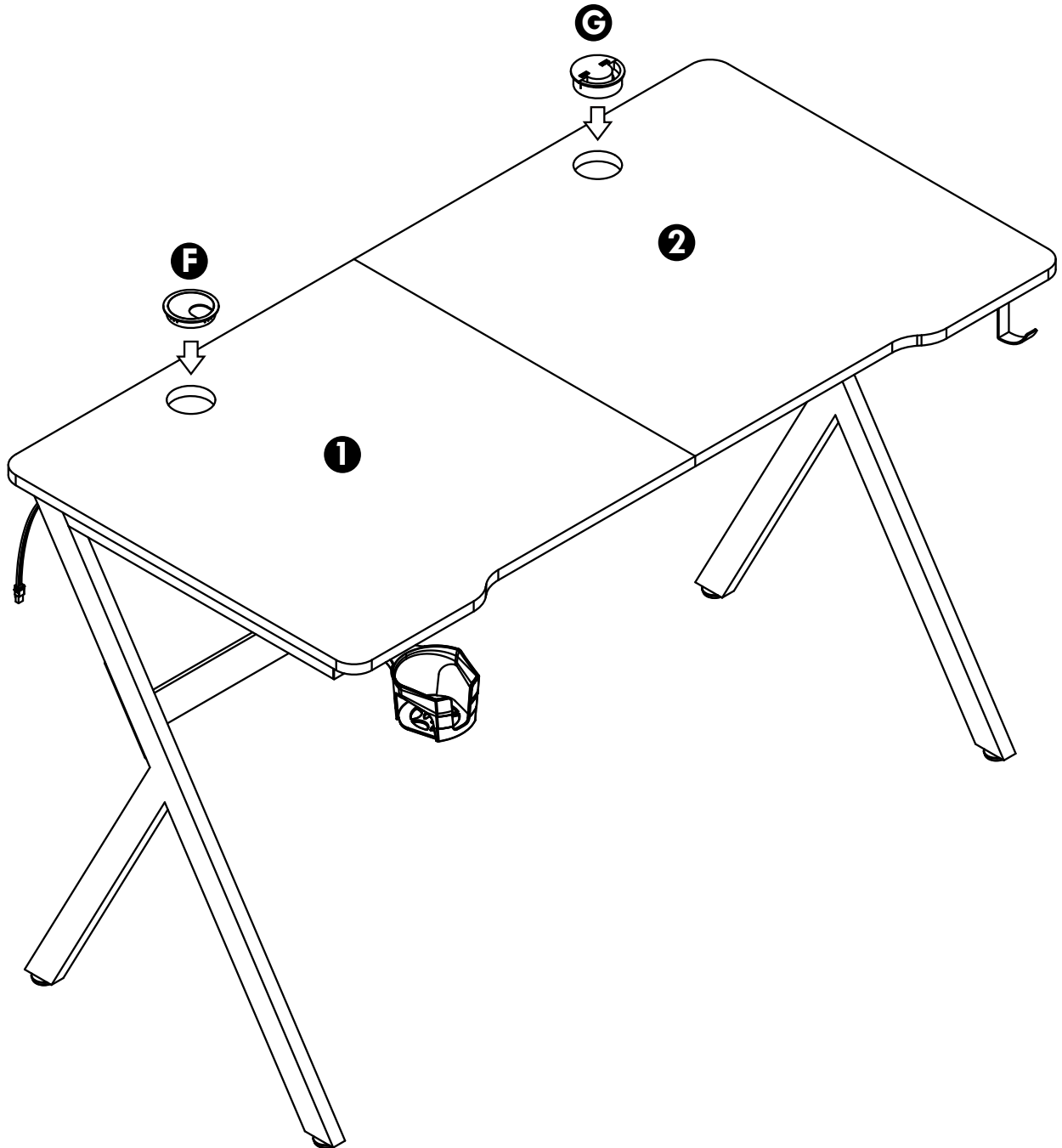
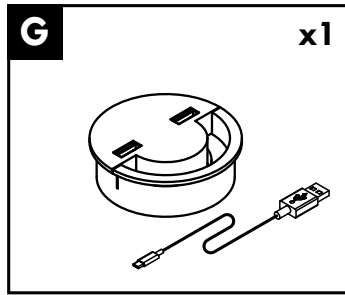
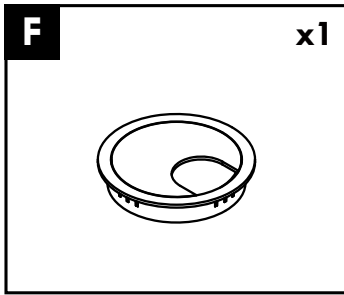
Step 9

Use screw D to assemble wire arrange box N at the bottom of table



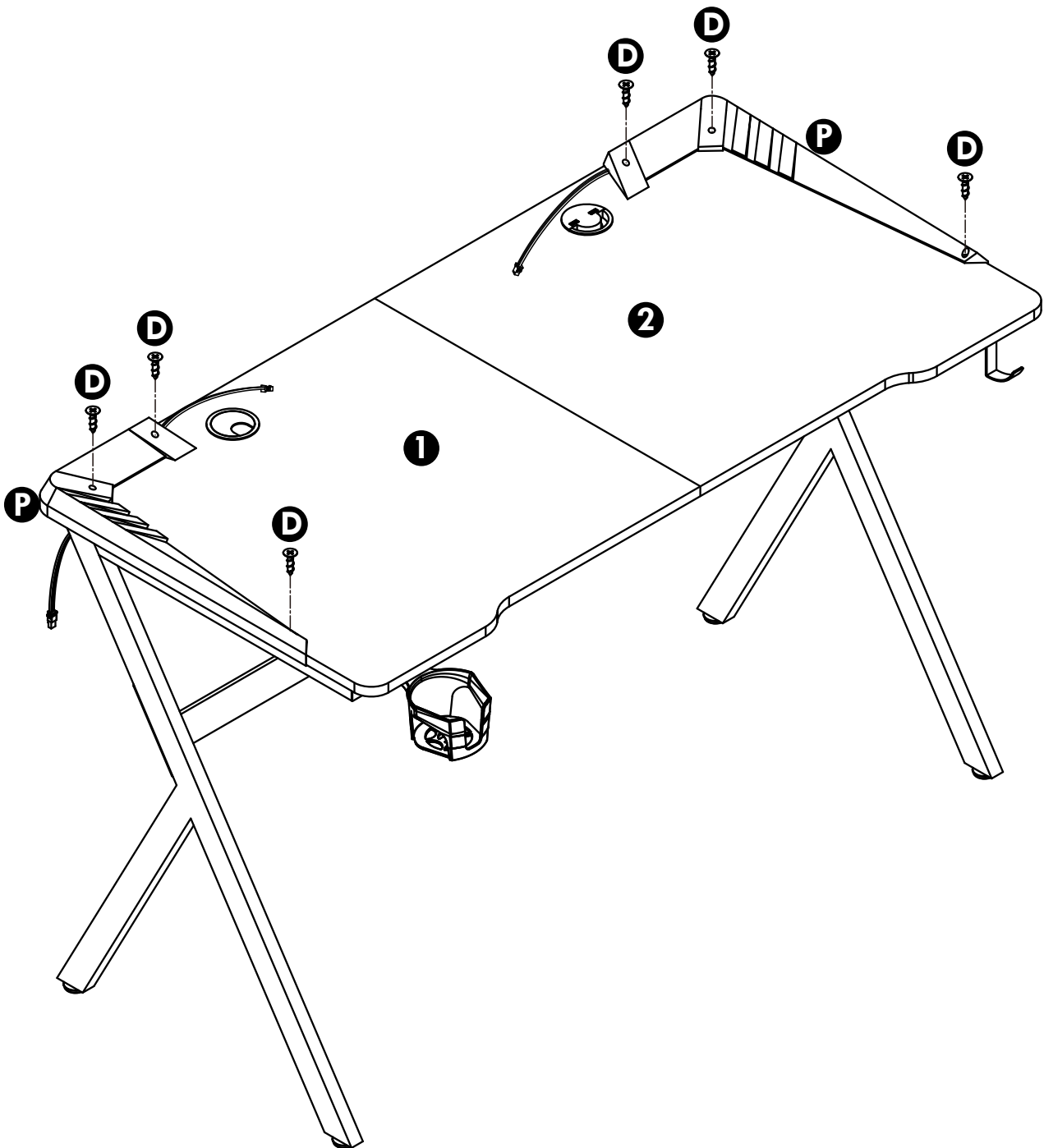
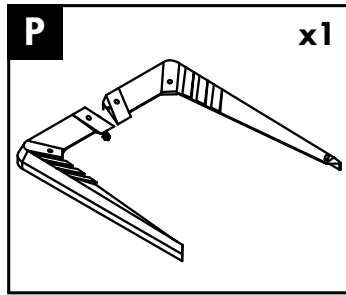
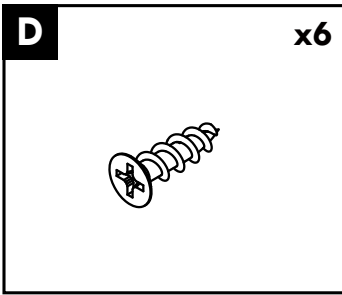
Step 10

Install the wire threading box at the hole position of both ends of table (1&2)



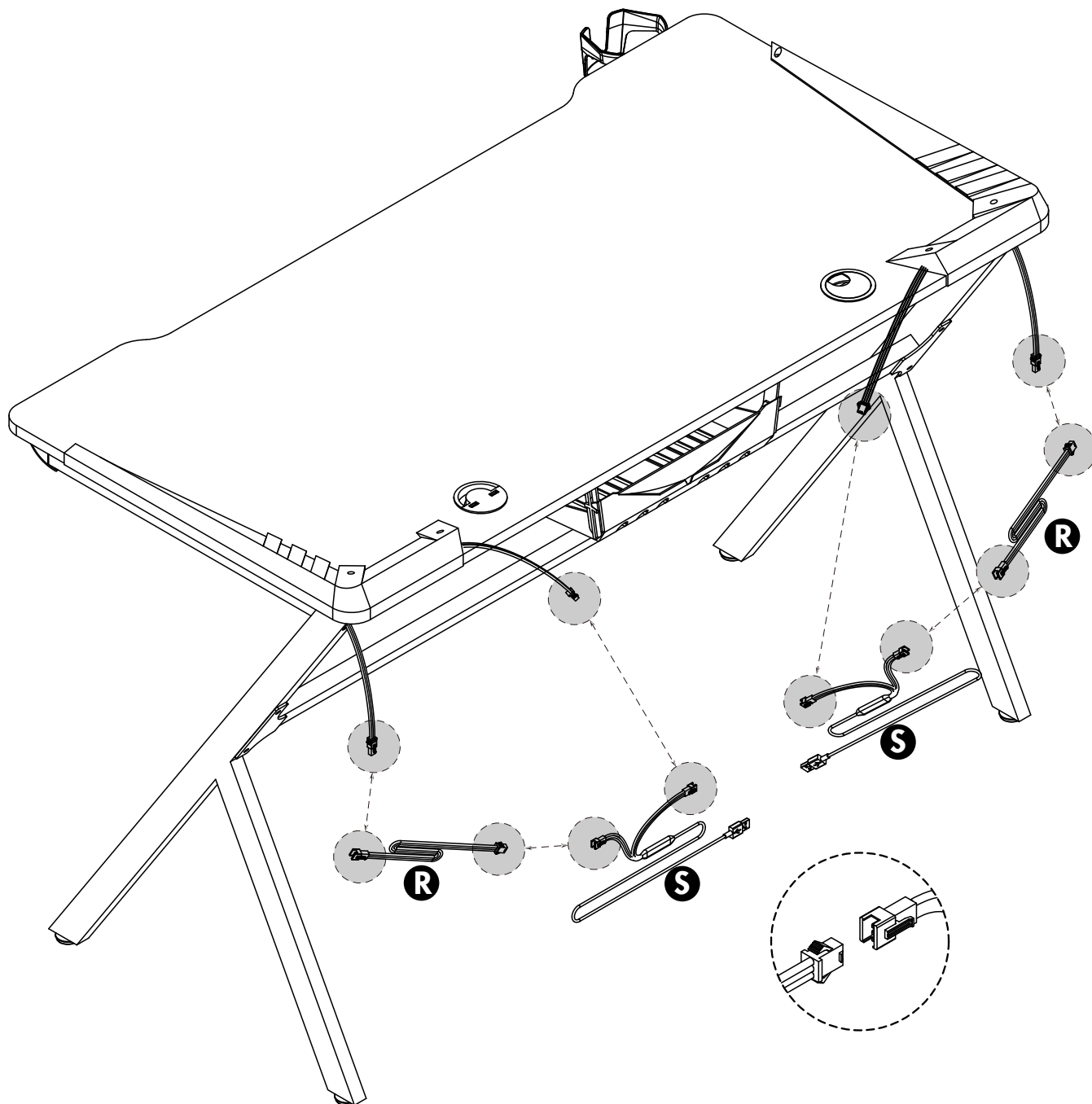
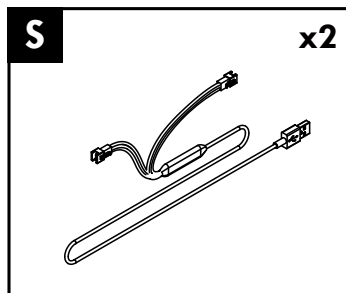
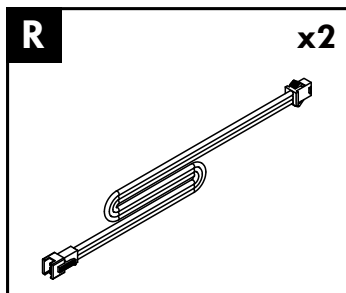
Step 11

Use screw D to assemble the table lamp P on the table 1&2



Step 12

Series connect the USB wires according the diagram shown sequence



 **Attention**

Till now, finish product assembling.