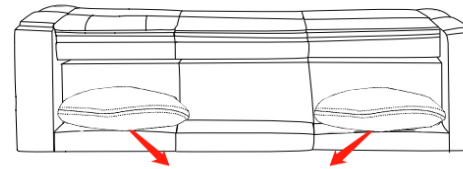


Assembly Instructions

Stage1- Take out the armrest pieces

Take out the armrest pieces from the back of seat, as fig 1.



Armrest pieces

fig.1

Stage2- Fitting the Unit

NOTE: It would be useful to ask someone to help you at this stage.

1. Carefully align connecting hooks & holes into position and lock them to secure the mechanism. See fig. 2

2. Insert the Back Cushion onto the unit

3. Engage the Metal Locks and push fit. You should hear them lock into position. See fig. 2

4. Paste the velcro on the flag of the Back Cushions onto the back of Seat Cushions. See fig. 2

5. Insert the armrest pieces into the armrest, See fig. 2

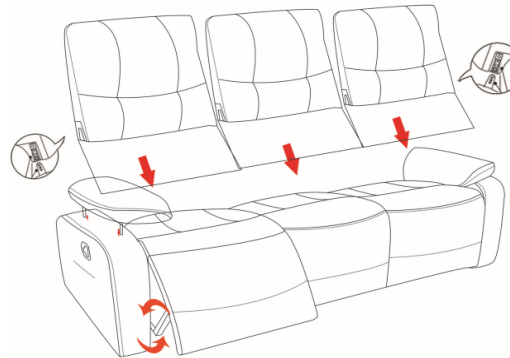


fig.2

Back and Foot Rest Adjustment

This is 3 seater with two manual recliner. You need to be sitting in the chair to experience the features.

Open the switch, the chair will be reclined and the foot rest will automatically lift up. See fig. 3

NOTE: It would be useful to ask someone to help you at this stage.

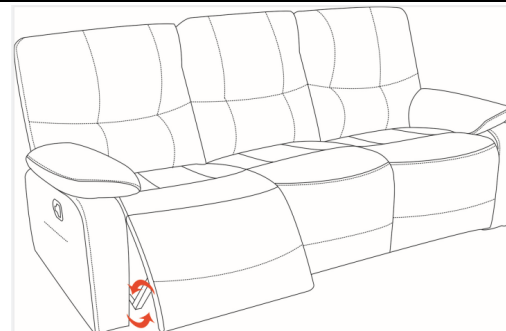


fig.3

NOTE:

1. Read these instructions carefully and familiarise yourself with the procedure before assembling the unit.
2. Check that you have all the component parts and familiarise yourself with each part before proceeding.
3. Take all the fittings out of the plastic bag and separate them into groups.
4. Ensure you have enough space to lay out all the parts before assembly.
5. To avoid scratching it is recommended that you assemble the unit on a soft level surface.

Assembly Instructions

Stage1-Take out the back of console

- Take out the armrest pieces

- 1.turn to the bottom of sofa ,open the zippe of console
Take out the back of console ,as fig .1
- 2.Take out the armrest pieces from the back of seat , as fig 2.

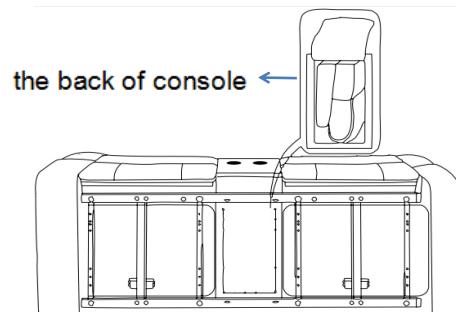
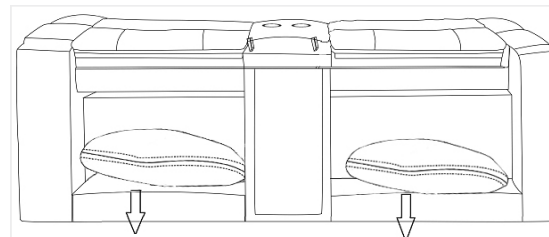


fig.1



Armrest pieces

Armrest pieces

fig.2

Stage2- Fitting the Unit

NOTE: It would be useful to ask someone to help you at this stage.

- 1.Carefully align connecting hooks & holes into position and lock them to secure the mechanism. See fig. 3
- 2.Insert the Back Cushion onto the unit
- 3.Engage the Metal Locks and push fit. You should hear them lock into position See fig. 3
- 4.Paste the velcro on the flag of the Back Cushions onto the back of Seat Cushions. See fig. 3
- 5.Insert the armrest pieces into the armrest ,See fig. 3

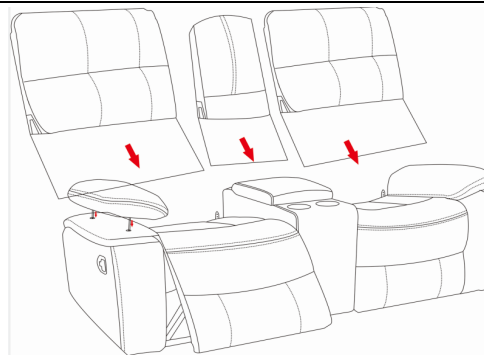


fig.3

Back and Foot Test Adjustment

This is 2 seater with two manual recliner and Console . You need to be sitting in the chair to experience the features.

Open the switch ,the chair will be reclined and the foot rest will automatically lift up See fig. 4

NOTE: It would be useful ask someone to help you at this stage.

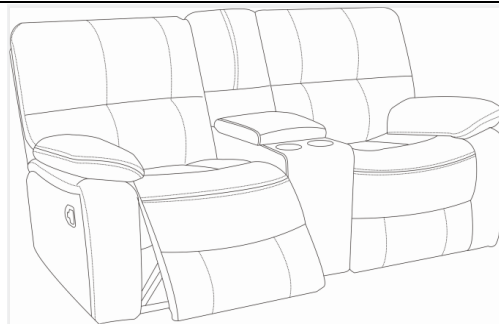


fig.4

NOTE:

- 1.Read these instructions carefully and familiarise yourself with the procedure before assembling the unit.
- 2.Check that you have all the component parts and familiarise yourself with each part before proceeding .
- 3.Take all the fittings out of the plastic bag and separate them into groups .
- 4.Ensure you have enough space to lay out all the parts before assembly .
- 5.To avoid scratching it is recommended that you assemble the unit on a soft level surface.

Assembly Instructions

Stage1- Take out the armrest pieces

Take out the armrest pieces from the back of seat, as fig 1.

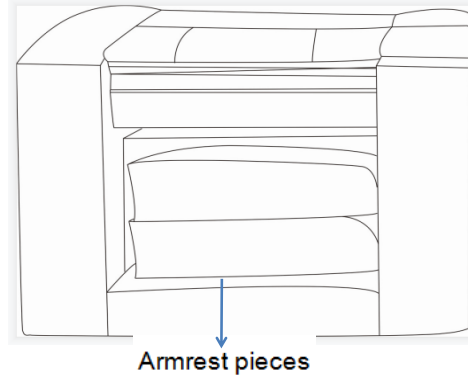


fig.1

Stage2- Fitting the Unit

NOTE: It would be useful to ask someone to help you at this stage.

1. Carefully align connecting hooks & holes into position and lock them to secure the mechanism. See fig.2

2. Insert the Back Cushion onto the unit

3. Engage the Metal Locks and push fit. You should hear them lock into position See fig. 2

4. Paste the velcro on the flag of the Back Cushions onto the back of Seat Cushions. See fig. 2

5. Insert the armrest pieces into the armrest, See fig. 2

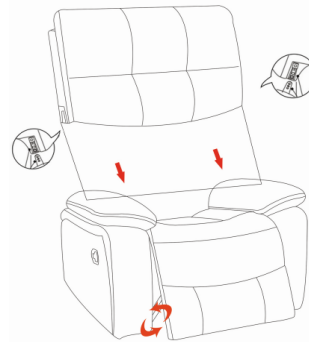


fig.2

Back and Foot Rest Adjustment

This is a manual recliner. You need to be sitting in the chair to experience the features.

Open the switch, the chair will be reclined and the foot rest will automatically lift up See fig. 3

NOTE: It would be useful to ask someone to help you at this stage.

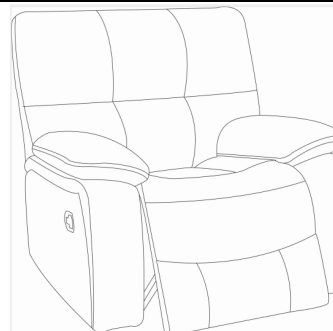


fig.3

NOTE:

1. Read these instructions carefully and familiarise yourself with the procedure before assembling the unit.
2. Check that you have all the component parts and familiarise yourself with each part before proceeding.
3. Take all the fittings out of the plastic bag and separate them into groups.
4. Ensure you have enough space to lay out all the parts before assembly.
5. To avoid scratching it is recommended that you assemble the unit on a soft level surface.