

INSTRUCTION MANUAL

10FT x 10FT Gazebo

Series A41

IF YOU PURCHASED THE GAZEBO ONLINE AND HAVE ANY
QUESTIONS OR CONCERNS
PLEASE CONTACT US WITH EMAIL OR TEXT

Email : Hiwarrantyservice@outlook.com

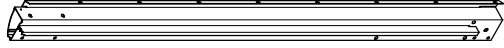
Text : +1 628 263 4608



A3 4x



W1 4x



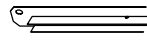
W2 4x



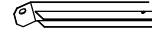
D3 4x



D5 4x



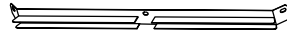
C7 4x



C8 4x



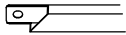
G1 4x



I1 4x



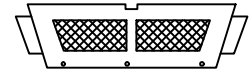
E5 4x



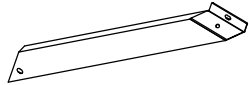
F6 4x



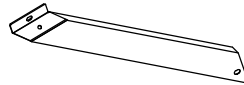
F7 4x



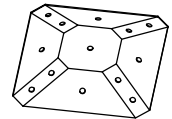
V1a 2x + V1b 2x



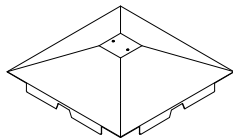
H 4x



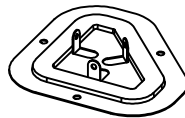
H1 4x



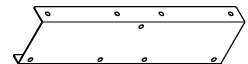
L1B 1x



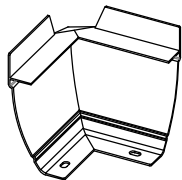
M1 1x



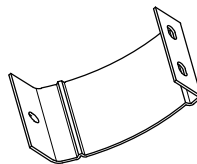
J 4x



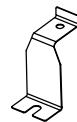
P 4x



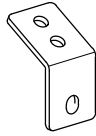
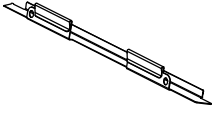
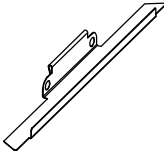
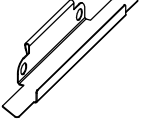
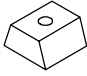

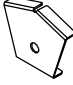

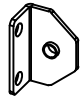
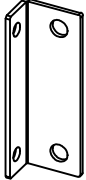
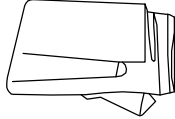
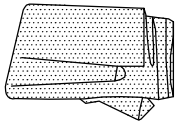
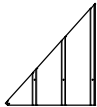
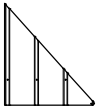
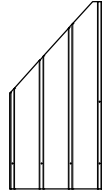
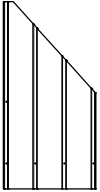
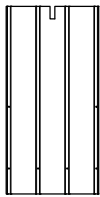
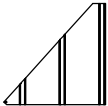
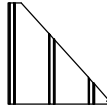







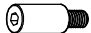




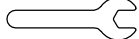
K2 4x



K1 4x



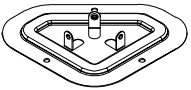
V 4x

 Q2 4x	 Z 56x	 Z1 8x	 Z2 8x
 Y 64x	 U1 96x	 N 12x	 N1 4x
 Q4 8x	 Q5 8x	 T 4x	 T1 4x
 O1 4x	 O2 4x	 O3 4x	 O4 4x
 O7 4x	 S1 4x	 S2 4x	 M5x15 15 32x
 M6x15 1 144x	 M6x23 2 56x	 ST 4.8x12 4 16x	 5 1x
 M5x12 6 4x	 M6x45 7 8x	 8 16x	 M6x10 9 8x
 10 12x	 4mm 12 2x	 6mm 13 1x	 14 1x

<1>



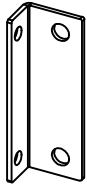
A3 4x



J 4x



Q4 8x



Q5 8x



M6x15

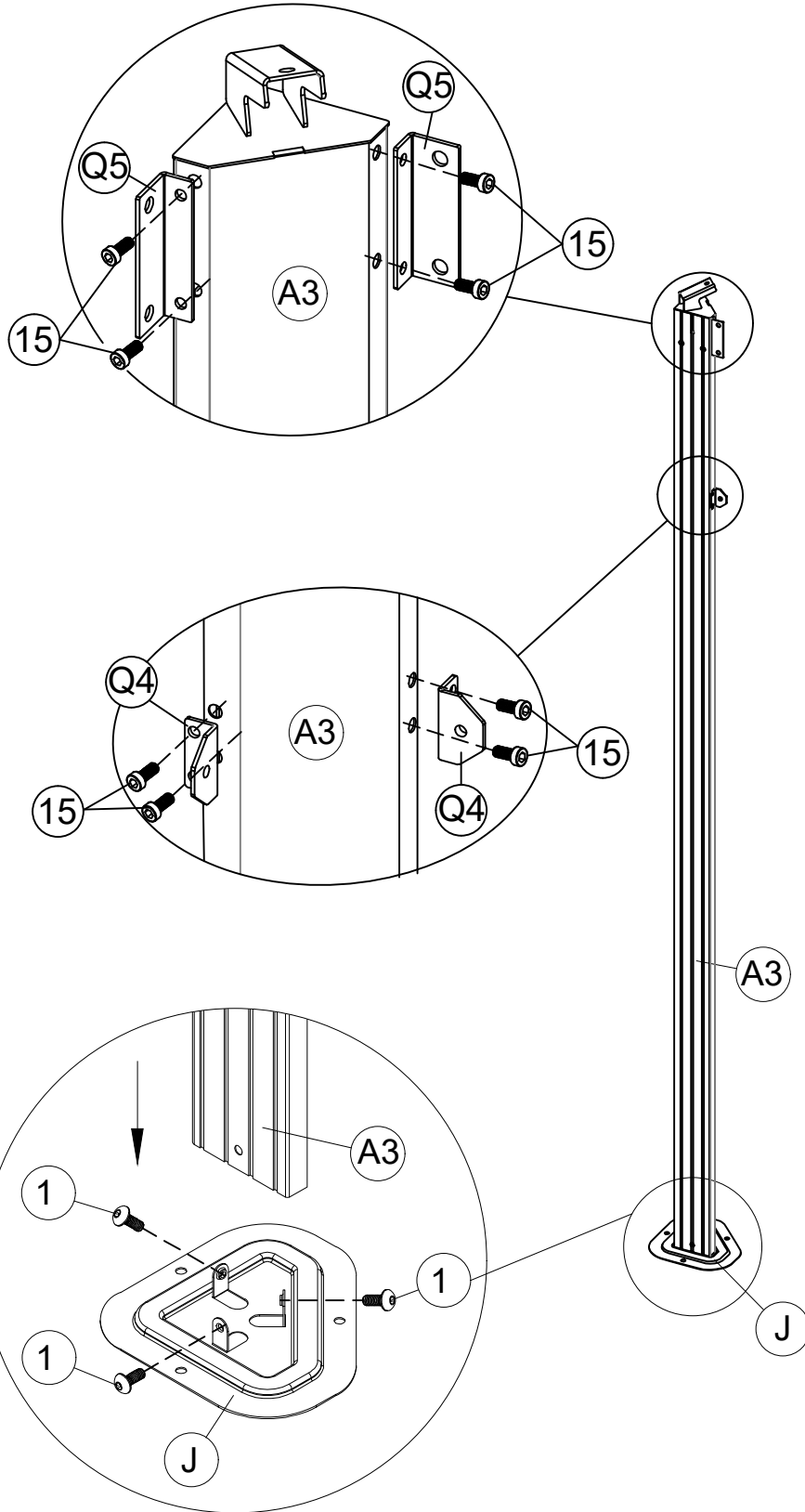
1 12x



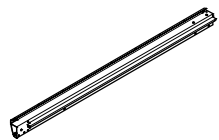
M5x15

15 32x

4



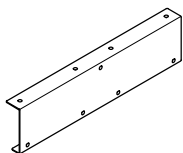
<2>



W1 4x



W2 4x

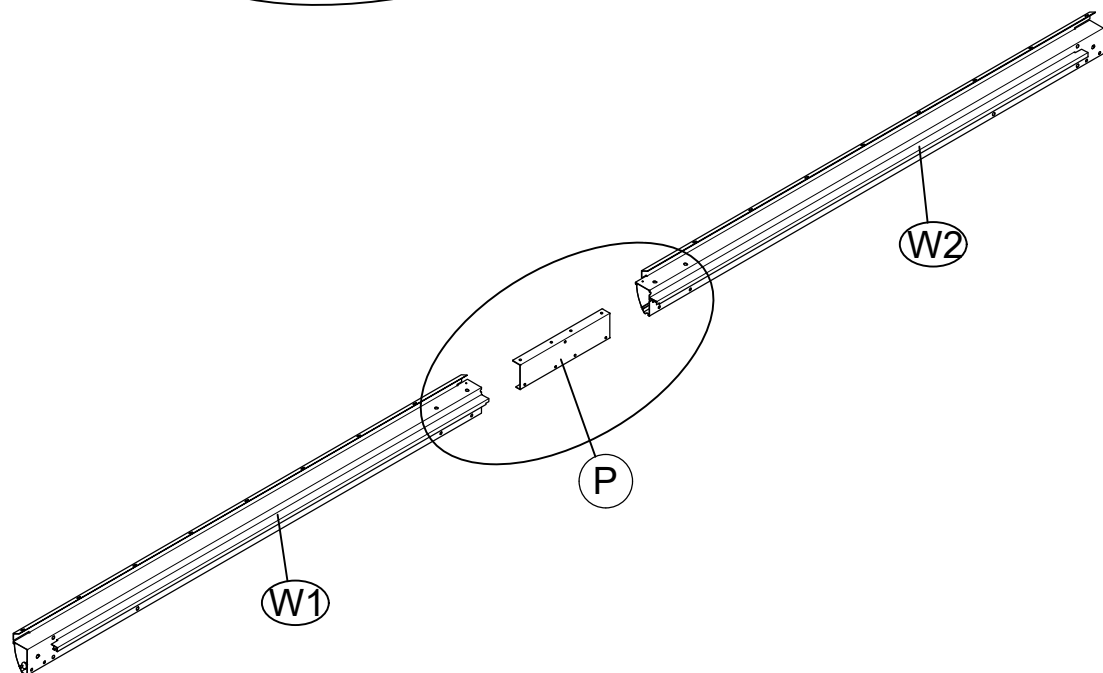
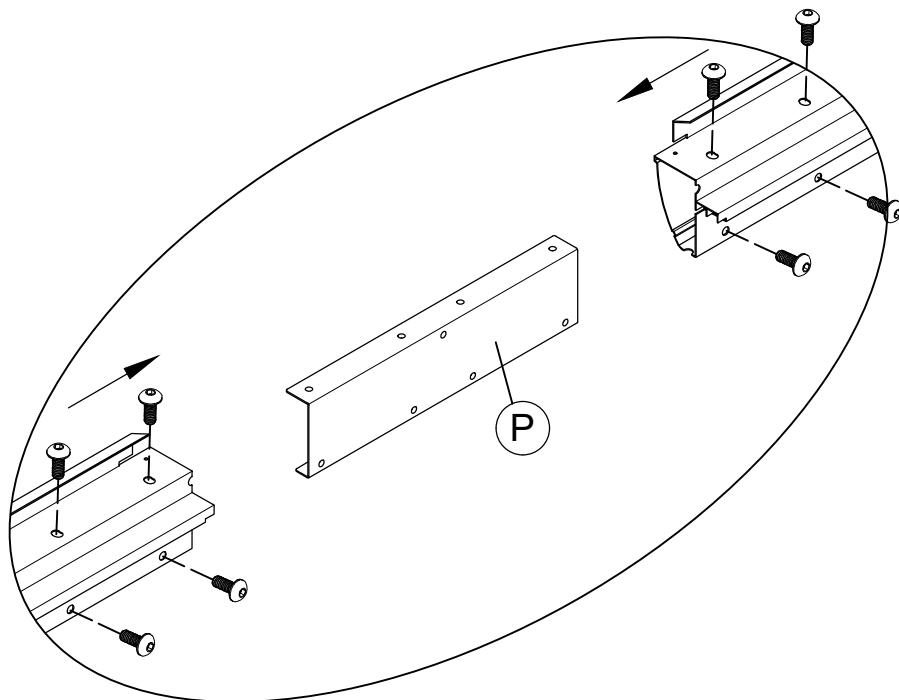


P 4x



M6x15

1 32x



<3>

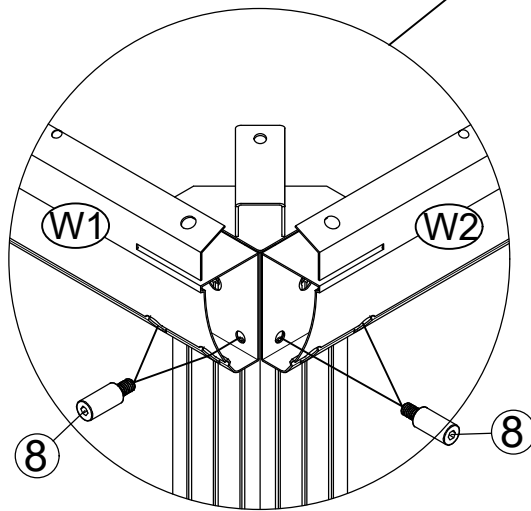
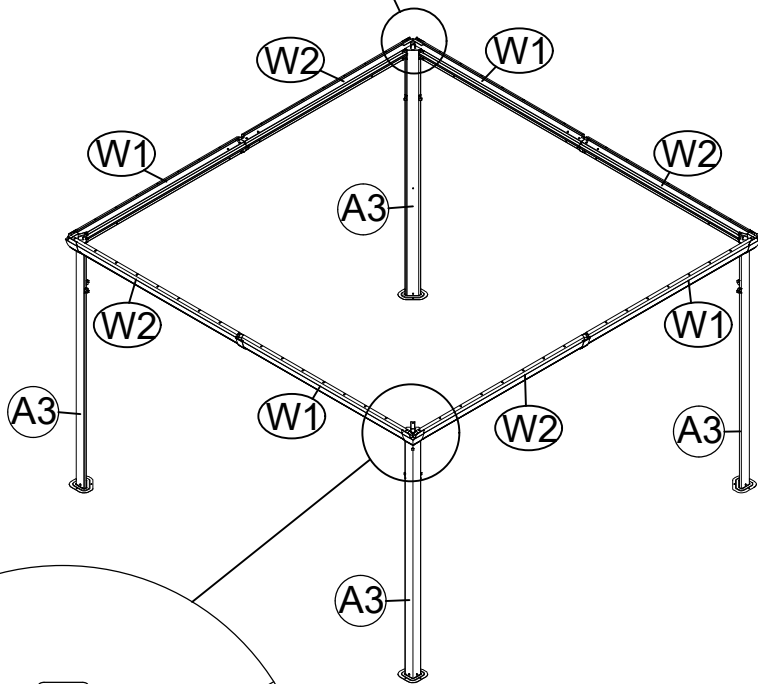
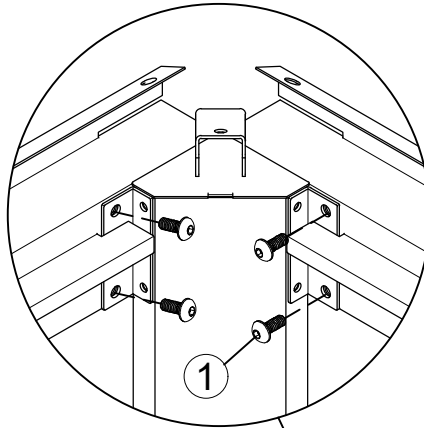


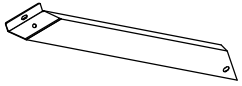
8 16x



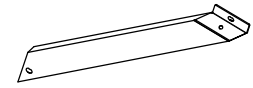
M6x15

1 16x





H1 4x



H 4x



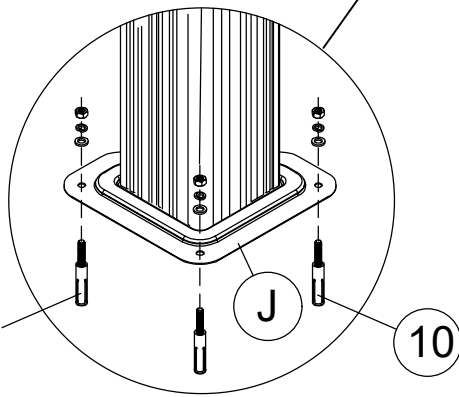
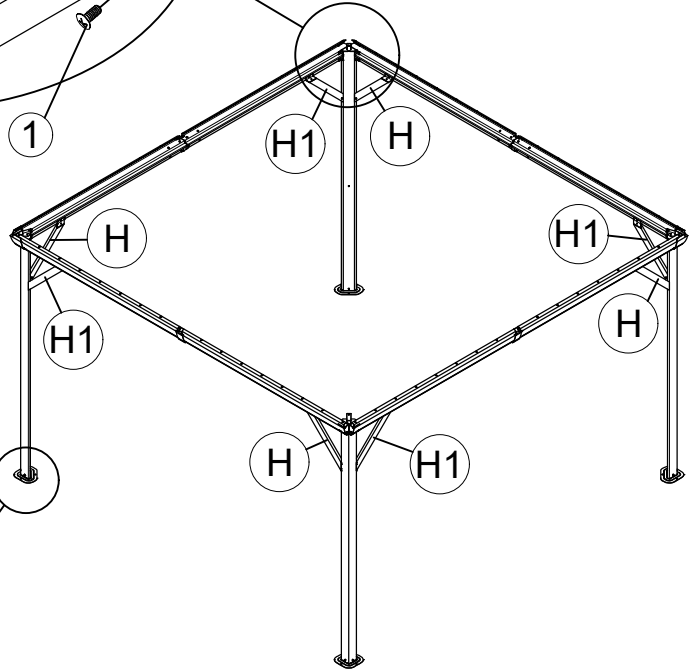
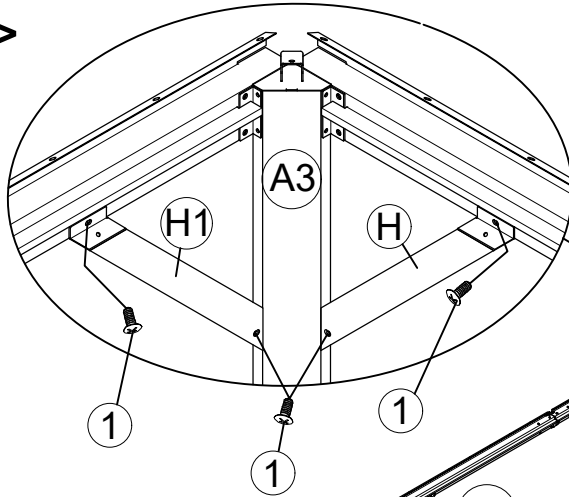
M6x15

1 16x

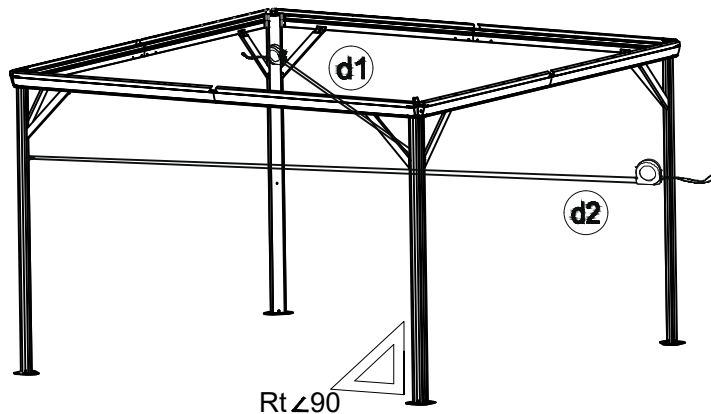


10 12x

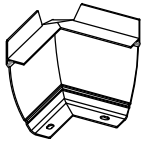
<4>



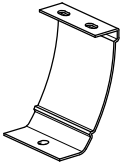
i d1=d2



Tips: Please measure to make sure the length of d1 is equal to d2 before moving to next step to ensure a square frame and best results. Keep the beam at right angles to the post, the post at right angles to the ground, and keep the beam horizontal.



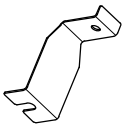
K2 4x



K1 4x



U1 96x



V 4x



M5x12

6 4x

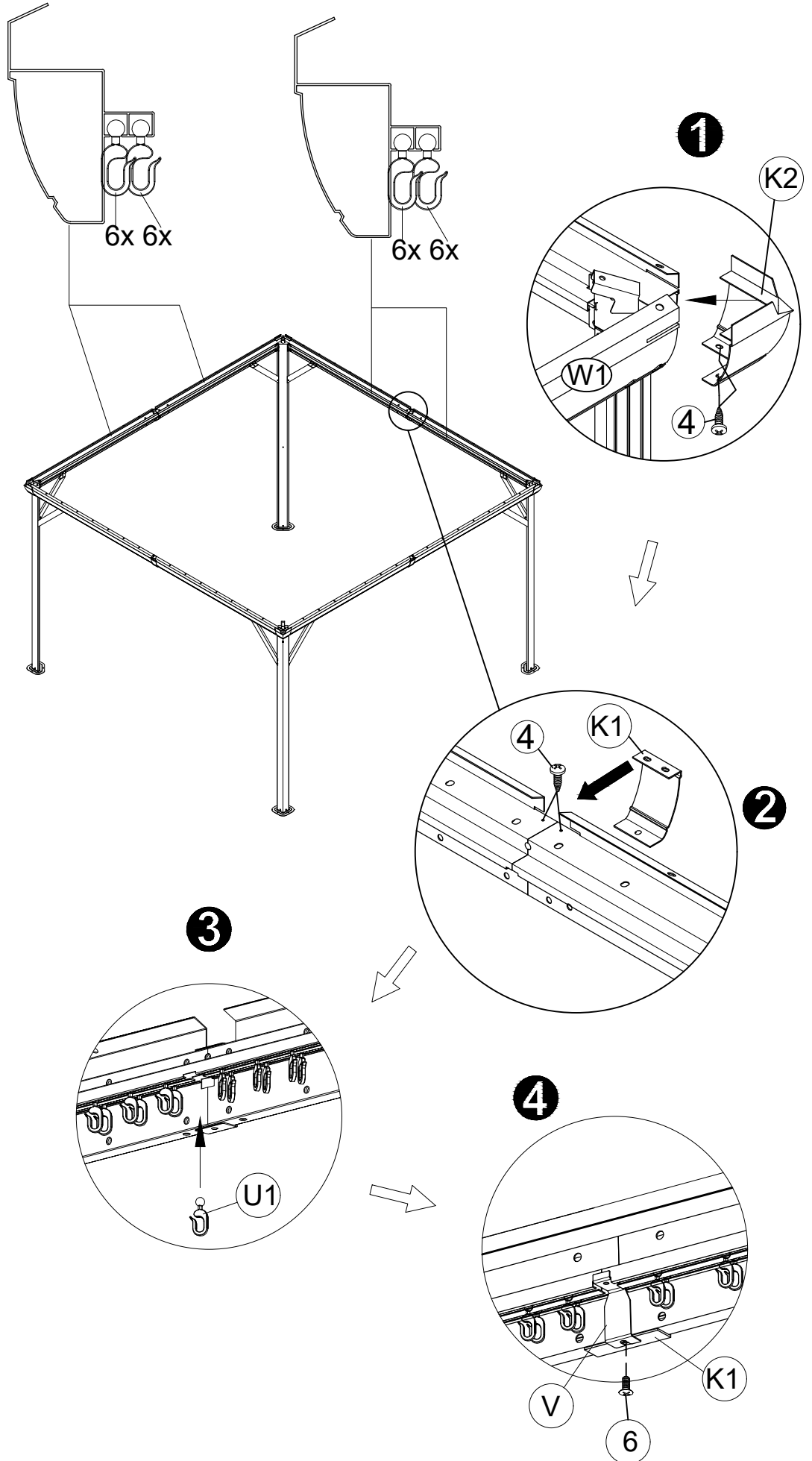


ST4.8x12

4 16x

8

<5>



<6>

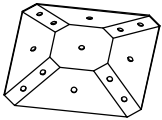
D3 4x



E5 4x



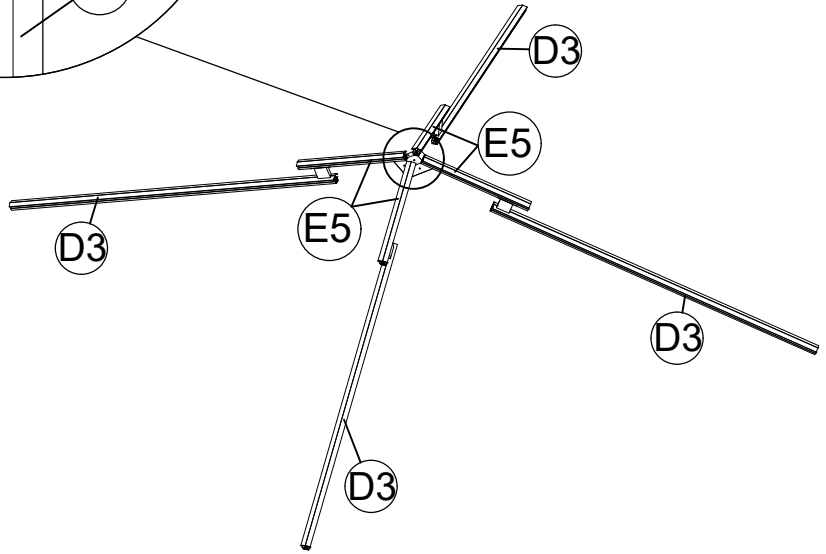
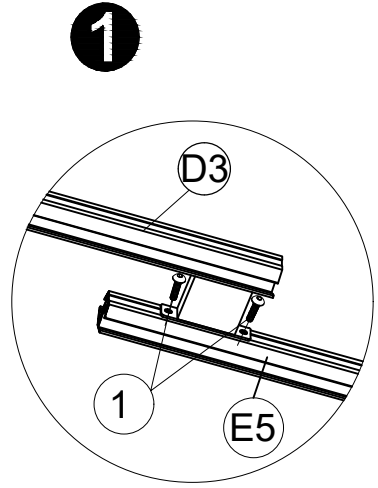
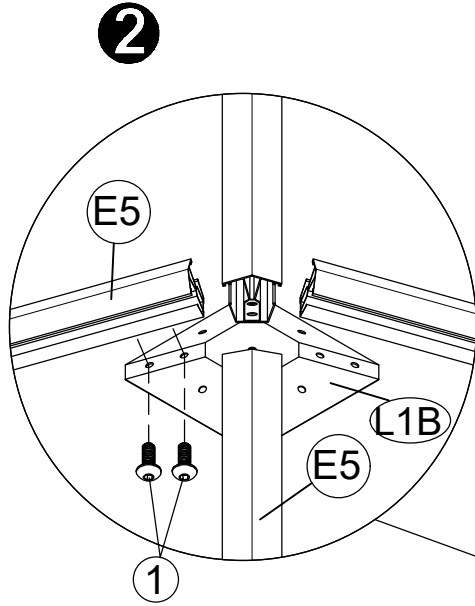
L1B 1x



M6x15



1 16x

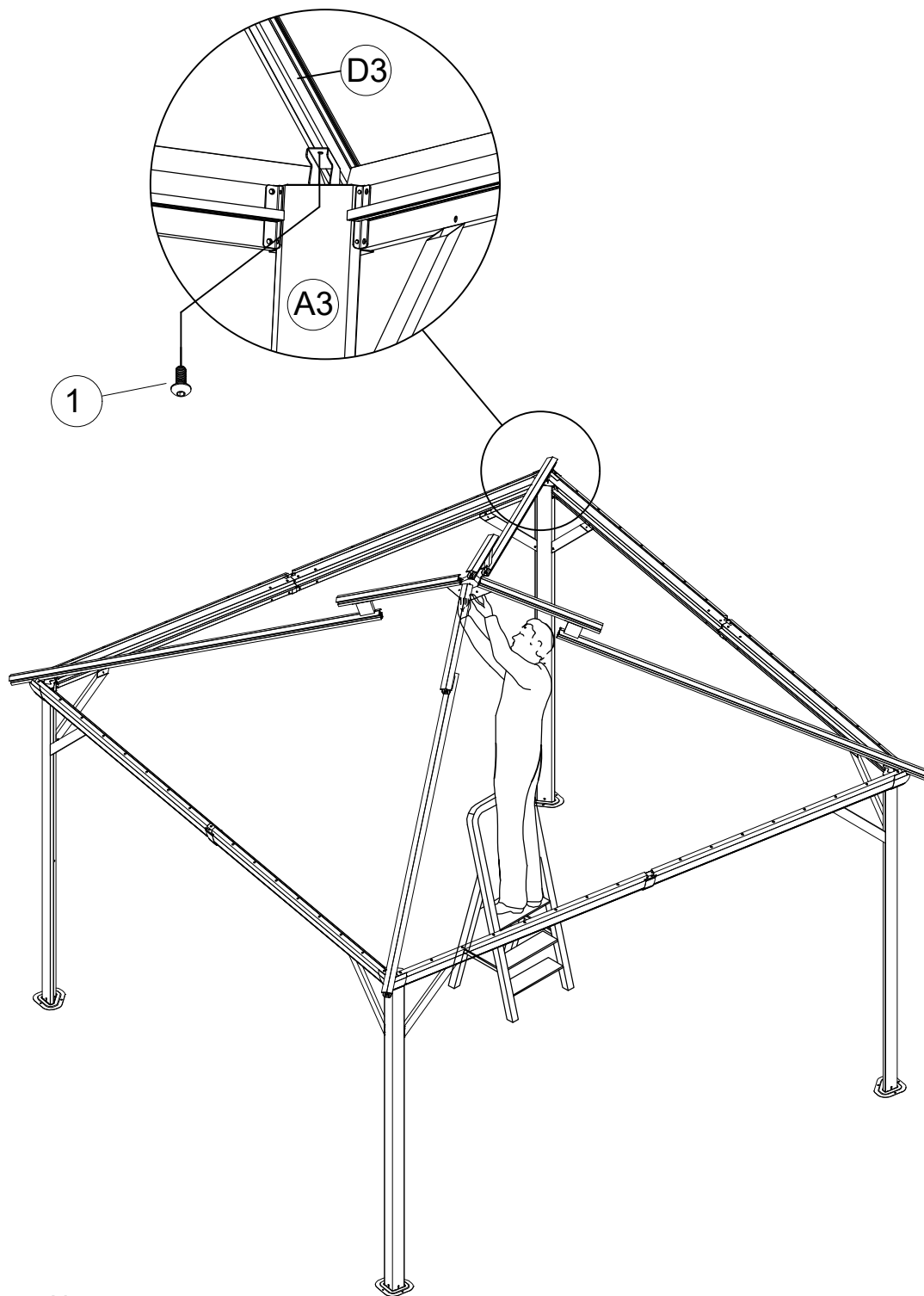




<7>

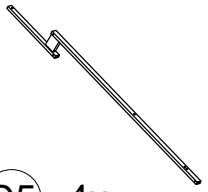
1

M6x15
4x

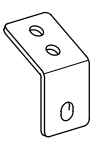


Note:

1. Let one person stand on the ladder to lift "L1B" and hold and let others fasten the screws connecting both ends of "D3".
2. Please do not let go of holding "L1B" until all the "D3" screws are installed.



D5 4x



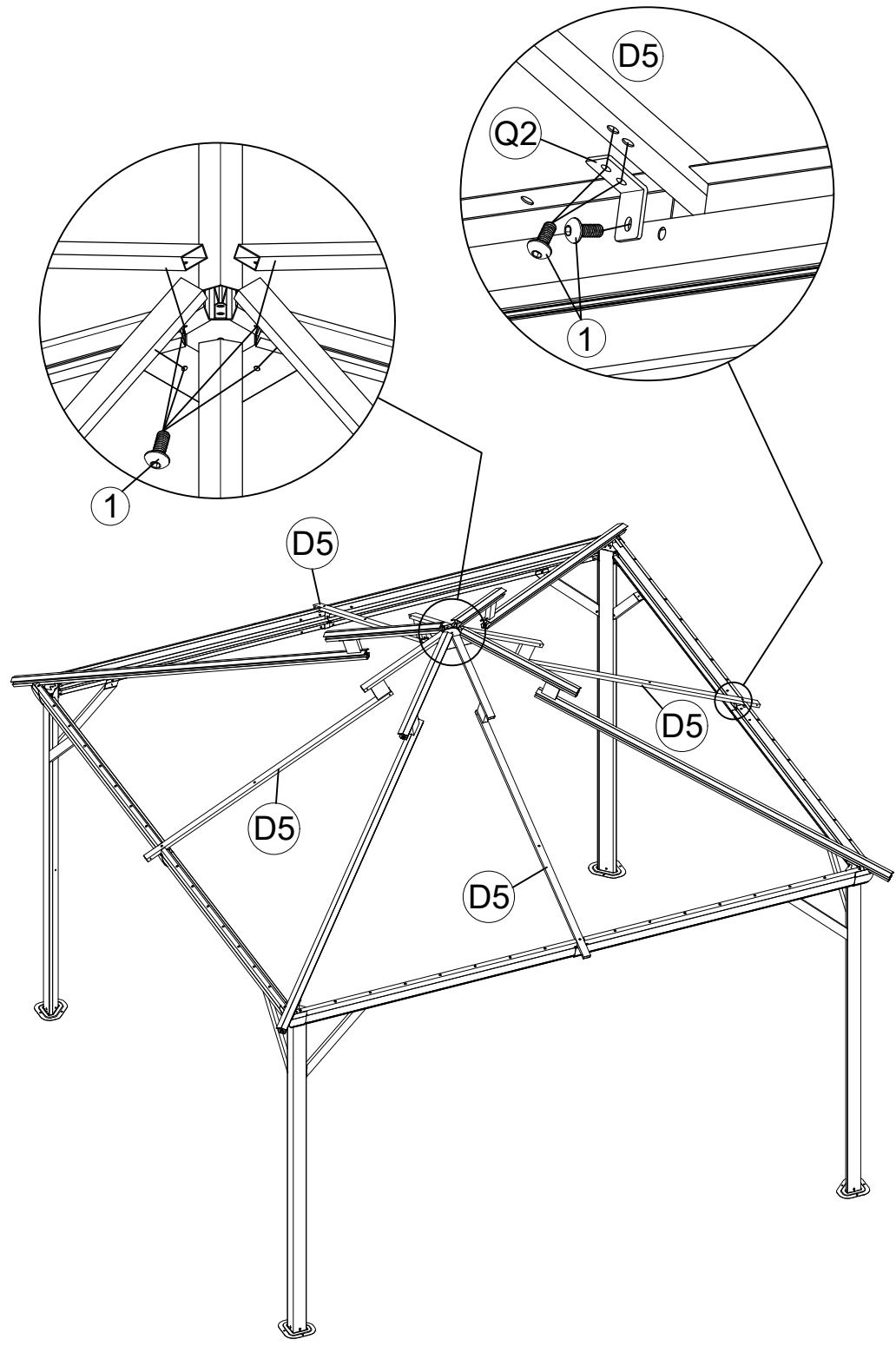
Q2 4x

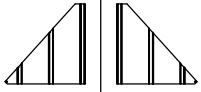


M6x15

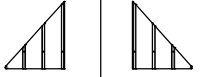
1 16x

<8>

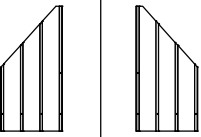




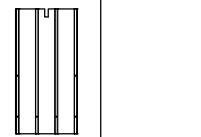
S1 4x S2 4x



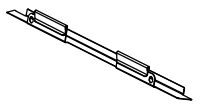
O1 4x O2 4x



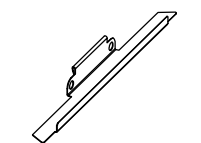
O3 4x O4 4x



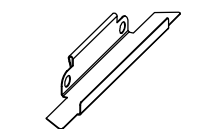
O7 4x



Z 56x

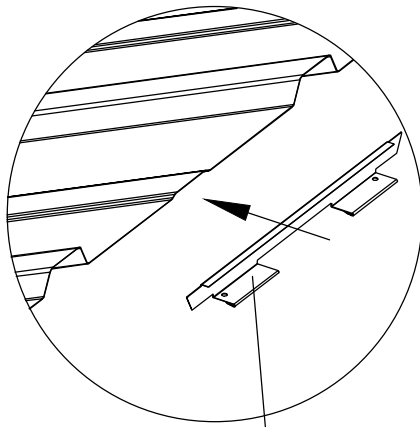


Z1 8x

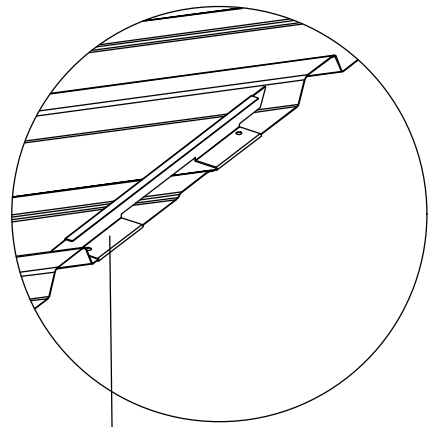
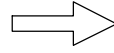


Z2 8x

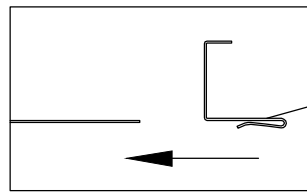
<9>



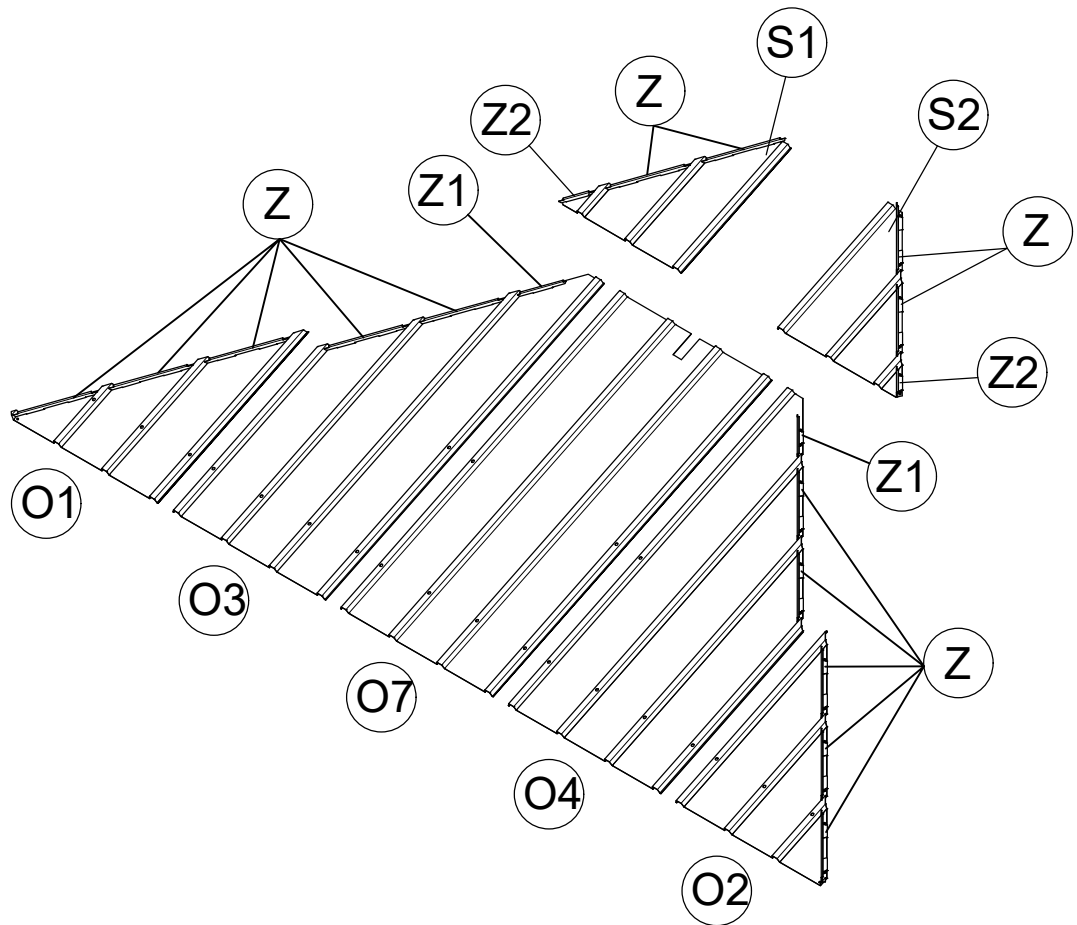
Z or Z1 or Z2



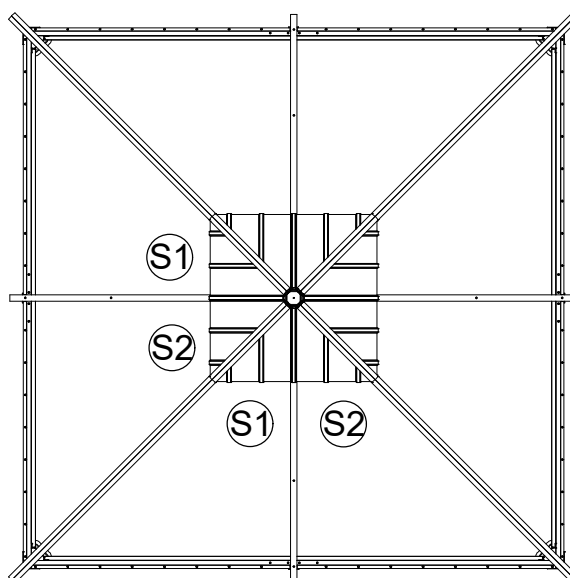
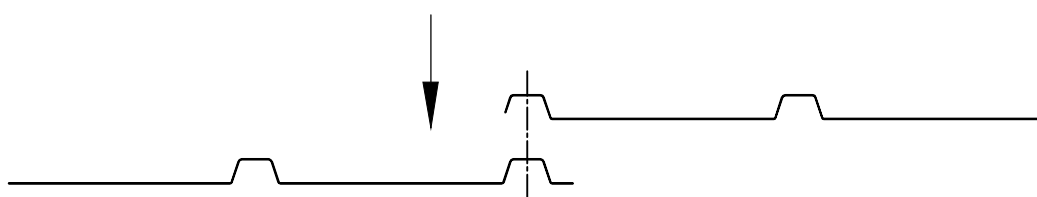
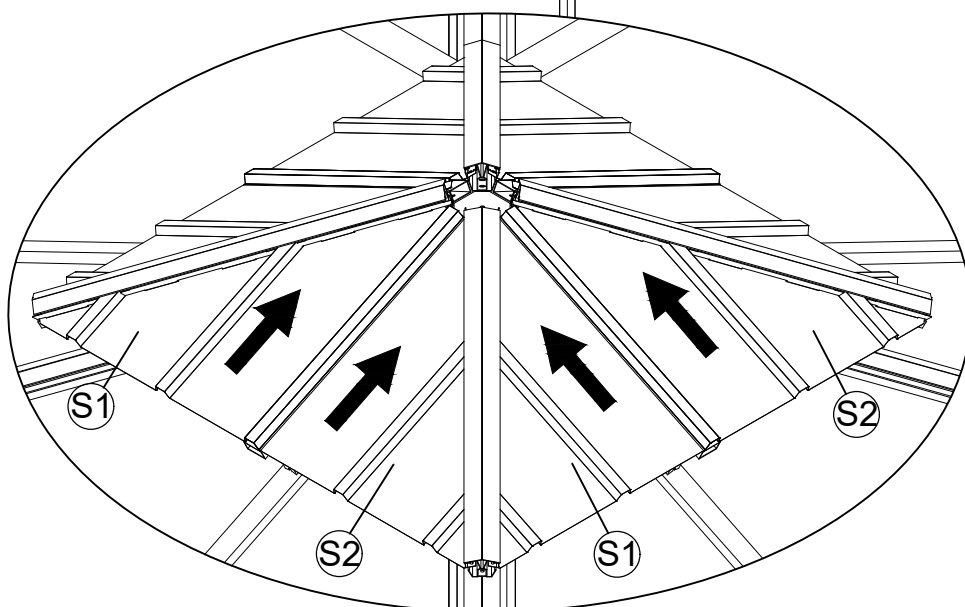
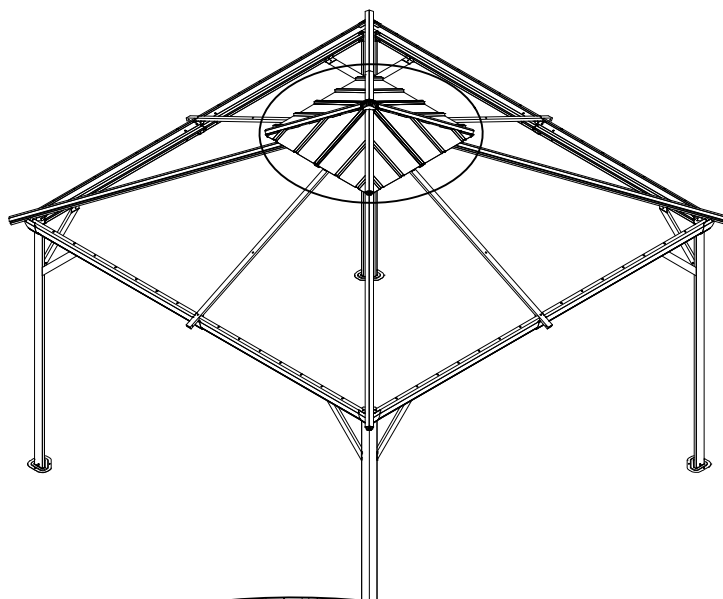
Z or Z1 or Z2

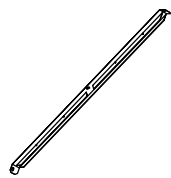


Z or Z1 or Z2



<10>





G1 4x



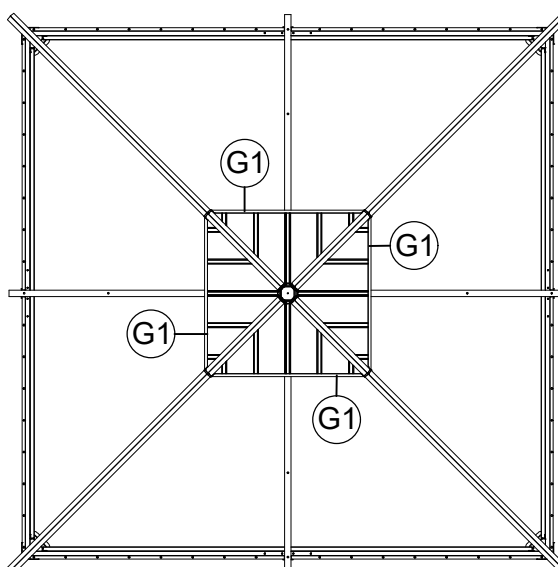
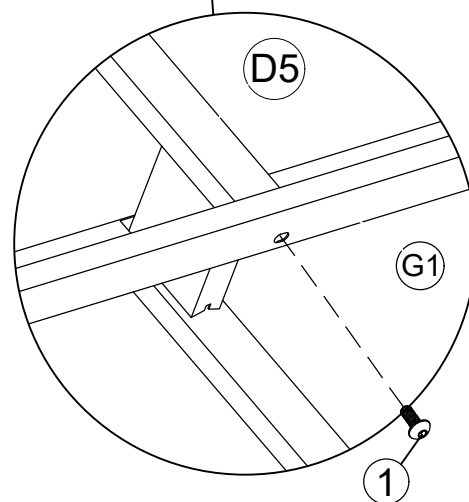
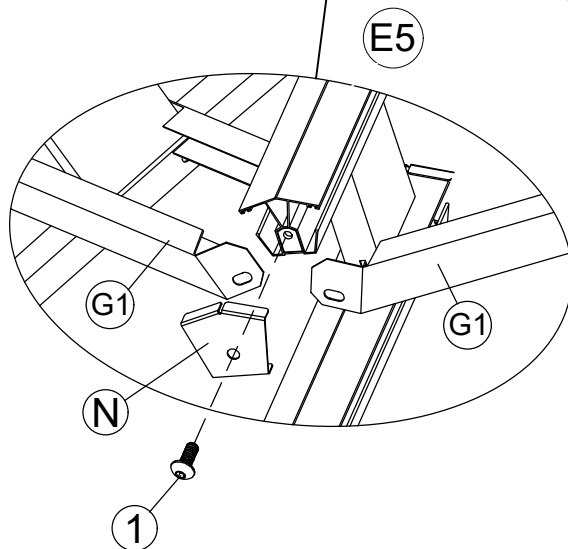
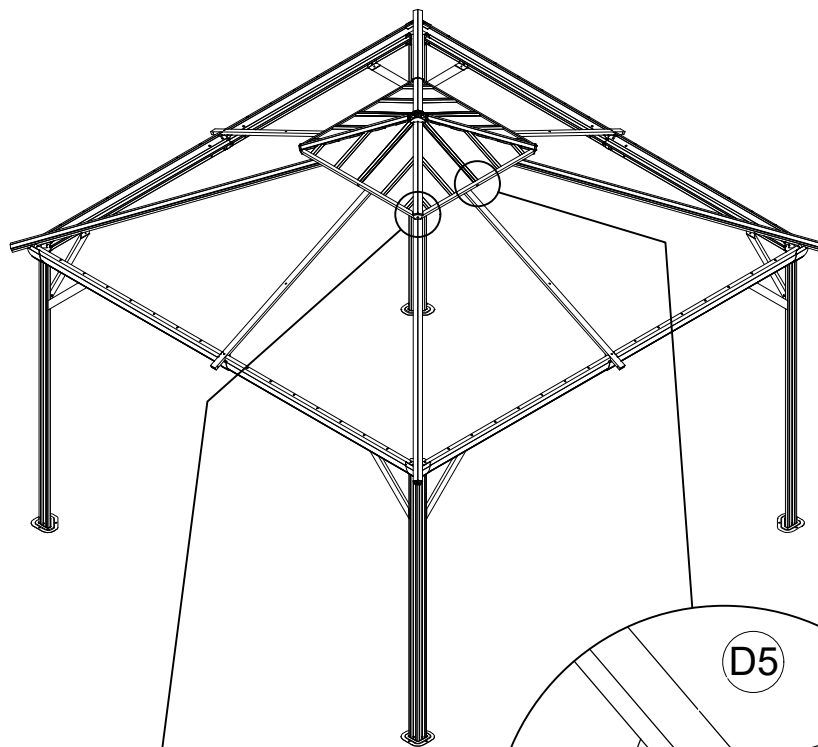
N 4x

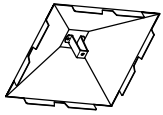


M6x15

1 8x

<11>



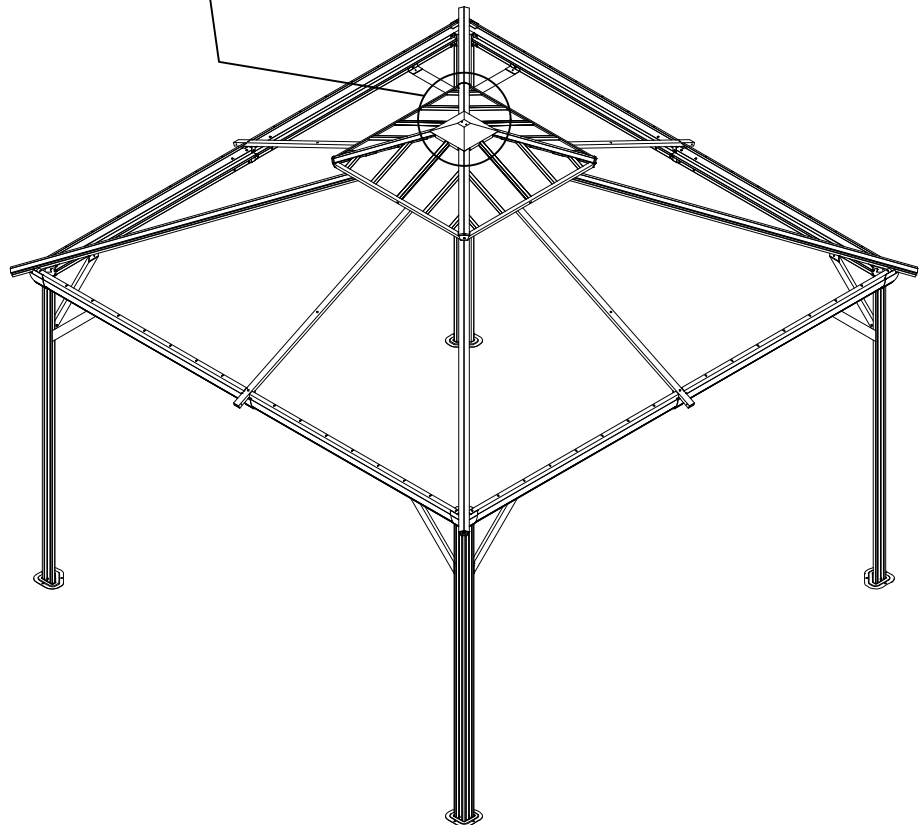
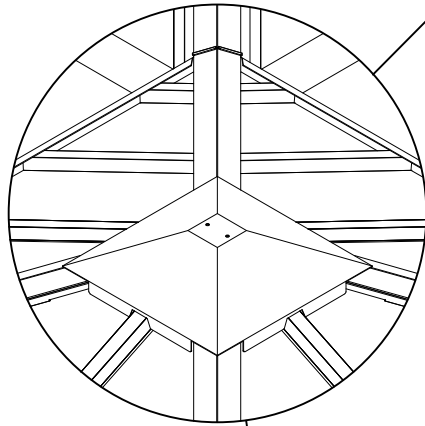
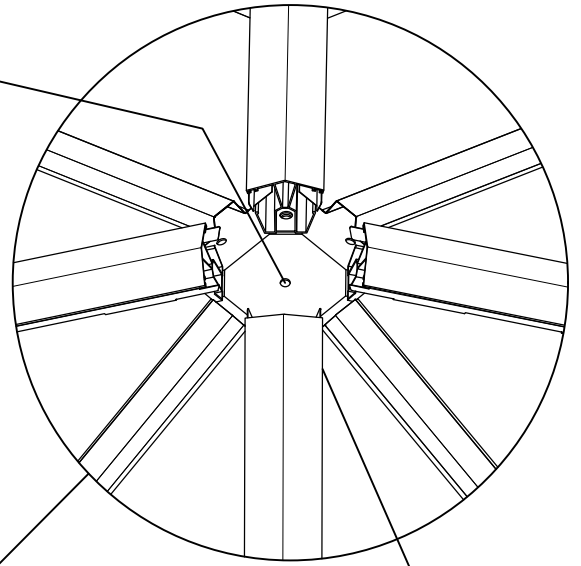
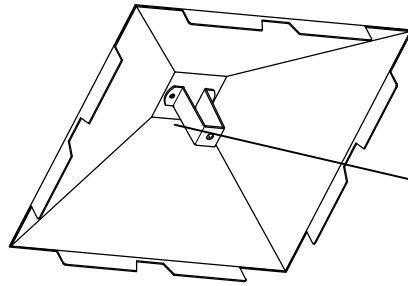


<12>

M1 1x



5 1x



<13>



F7 4x

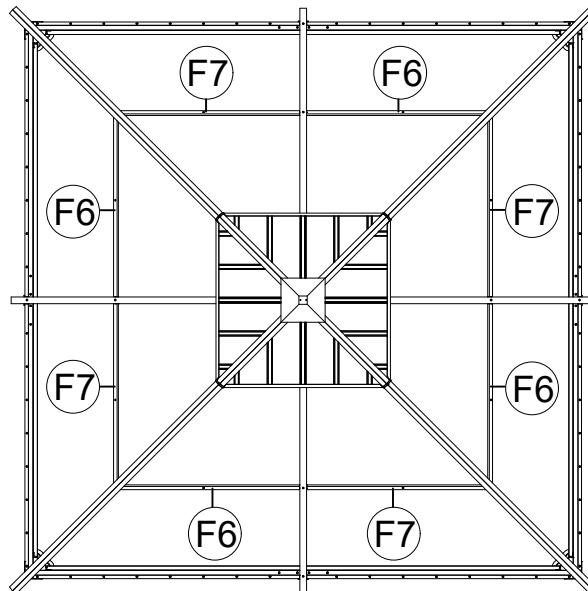
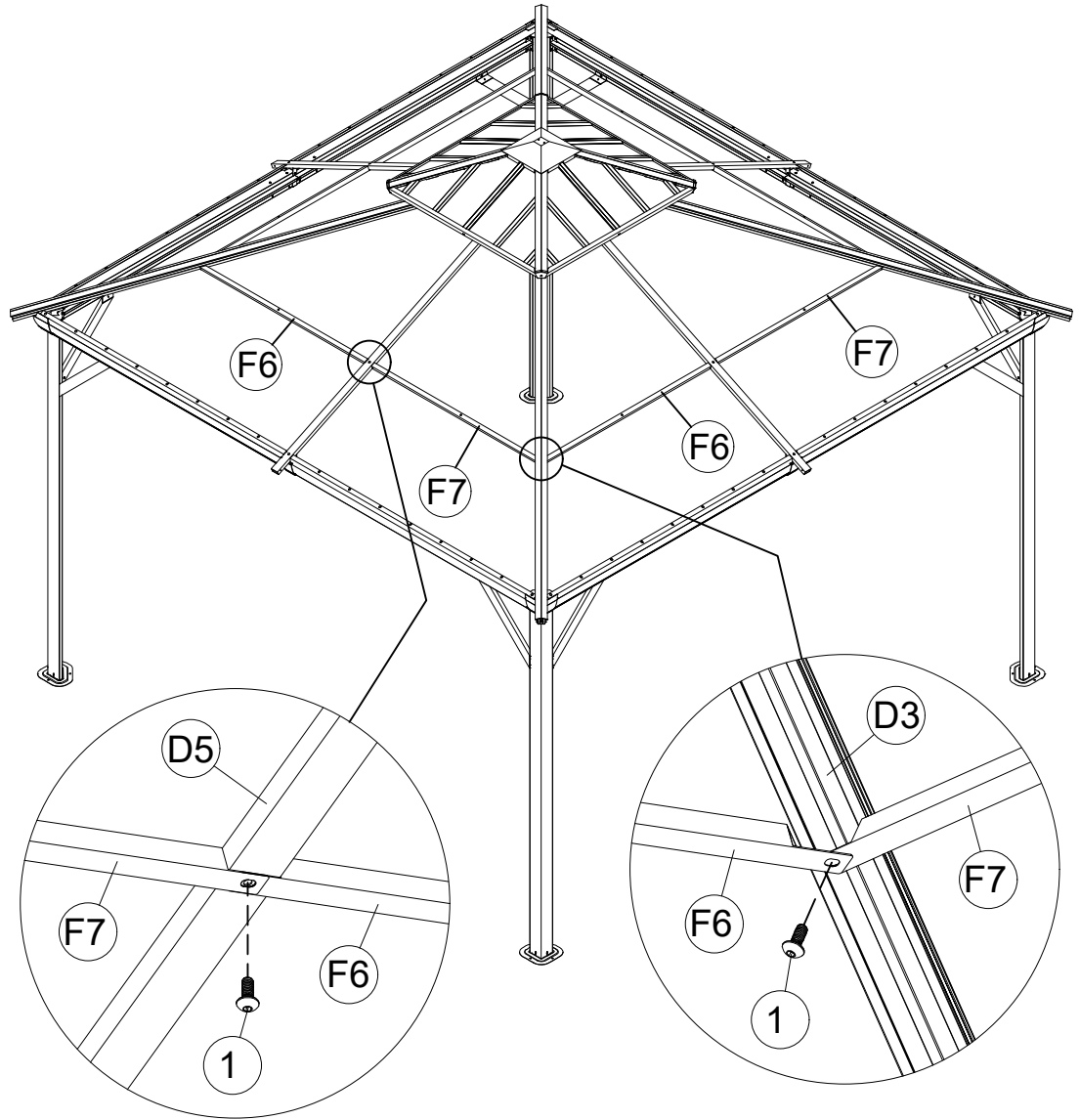


F6 4x

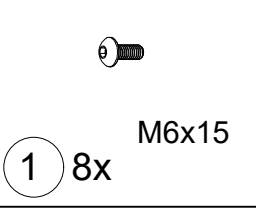
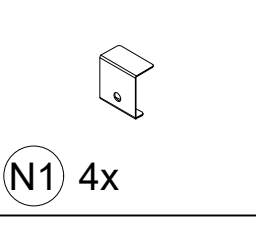
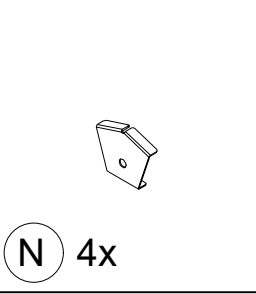
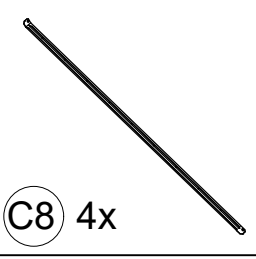
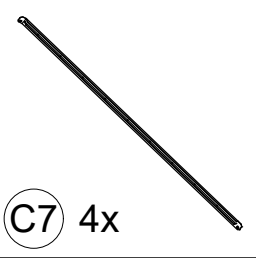
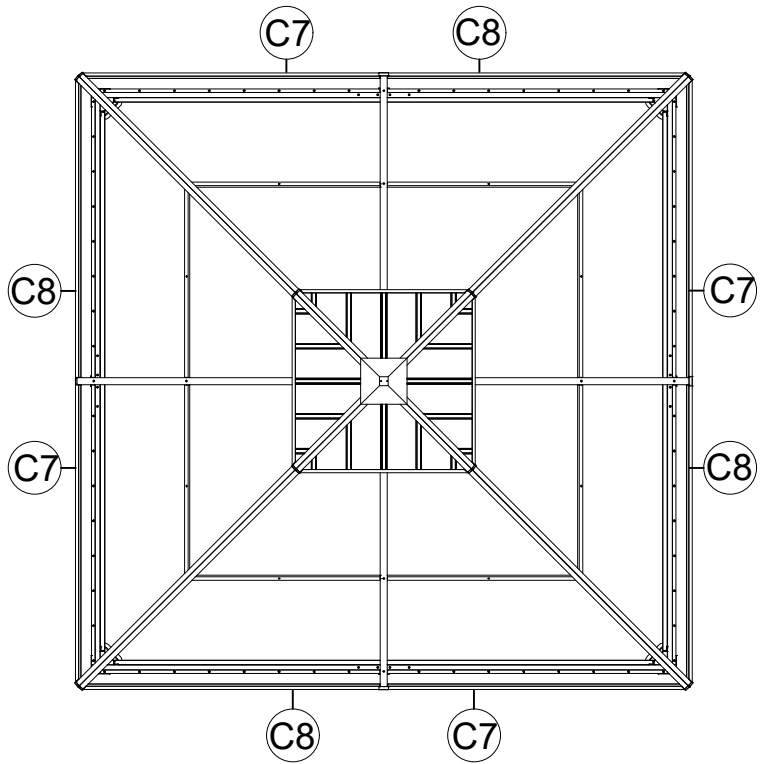
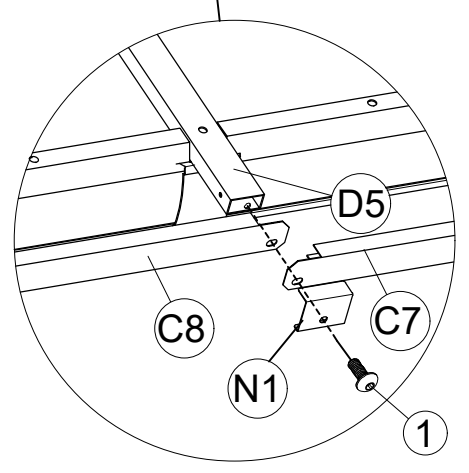
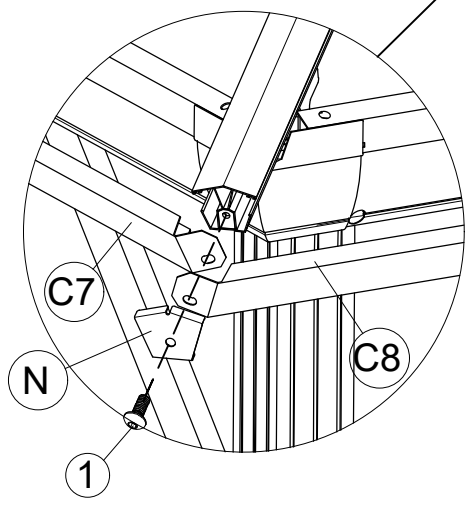
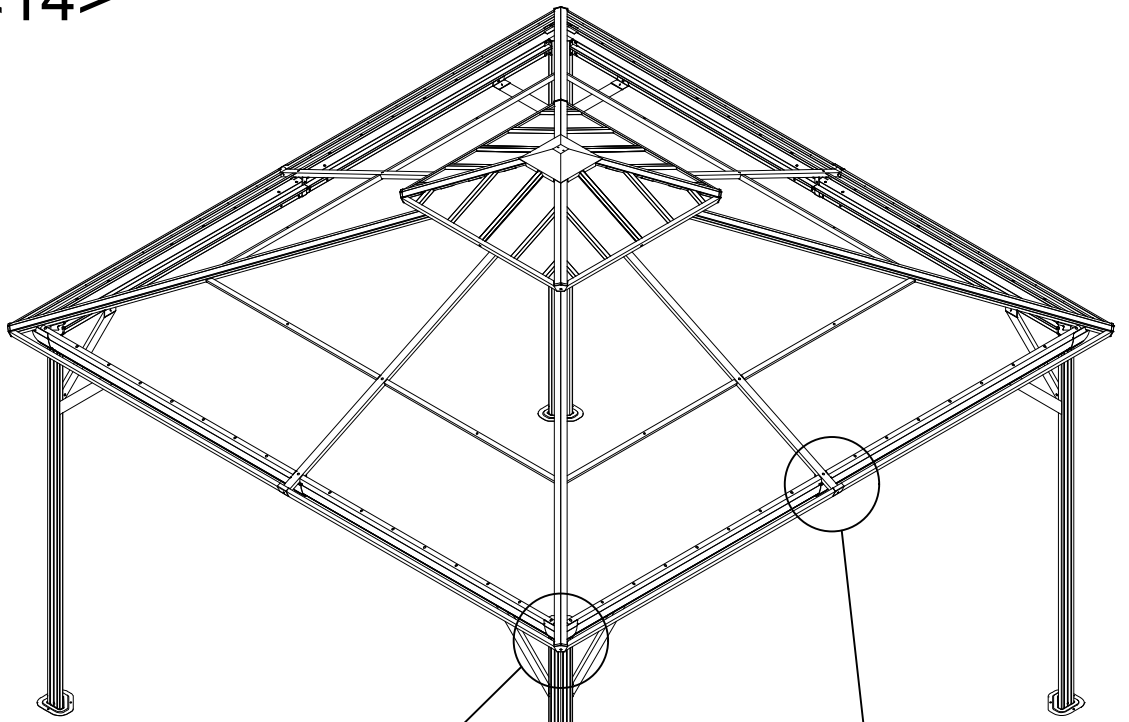


M6x15

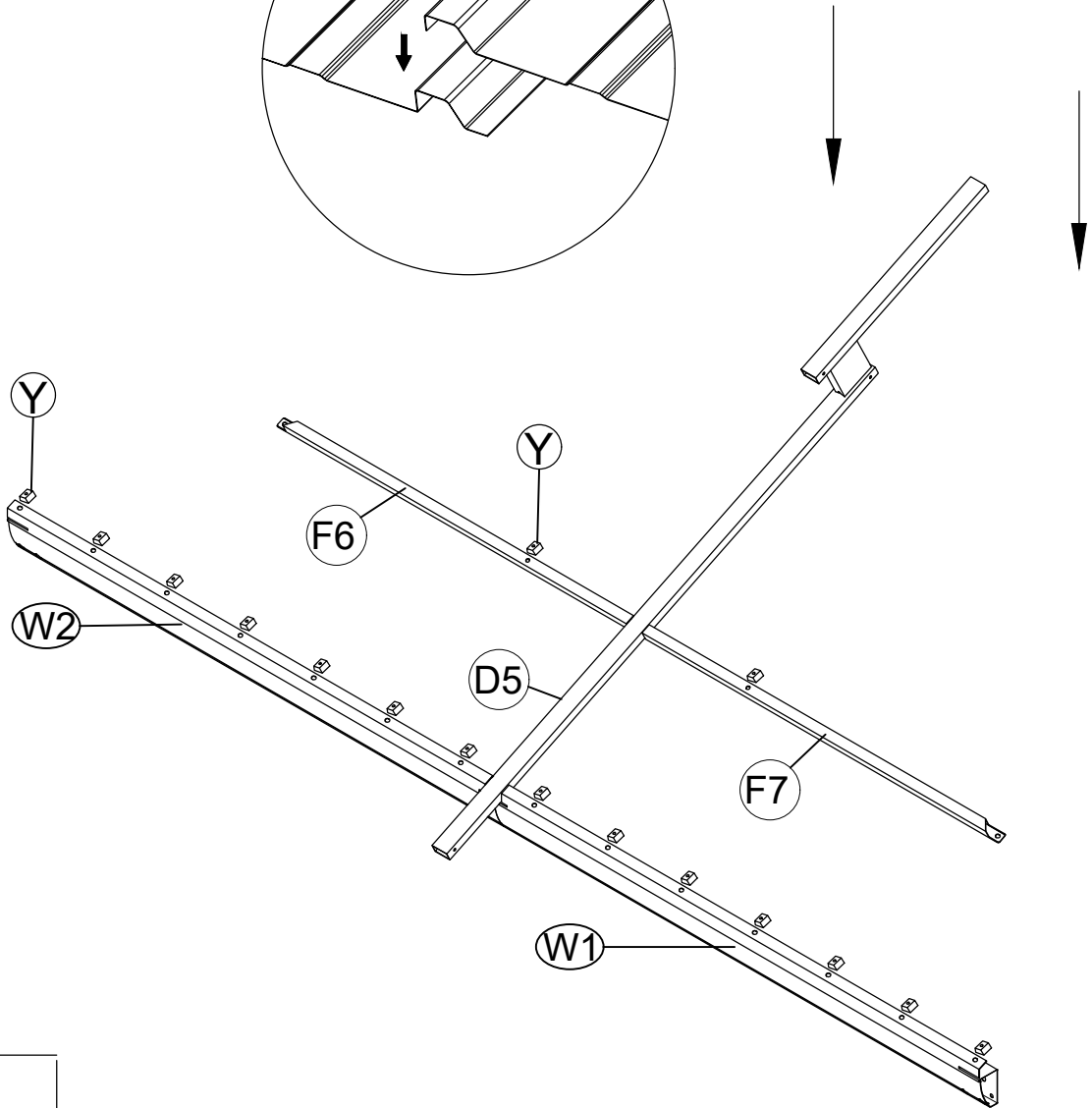
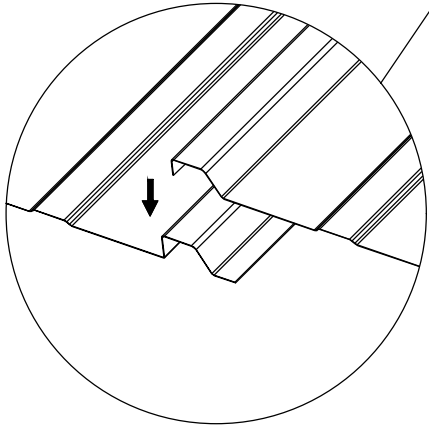
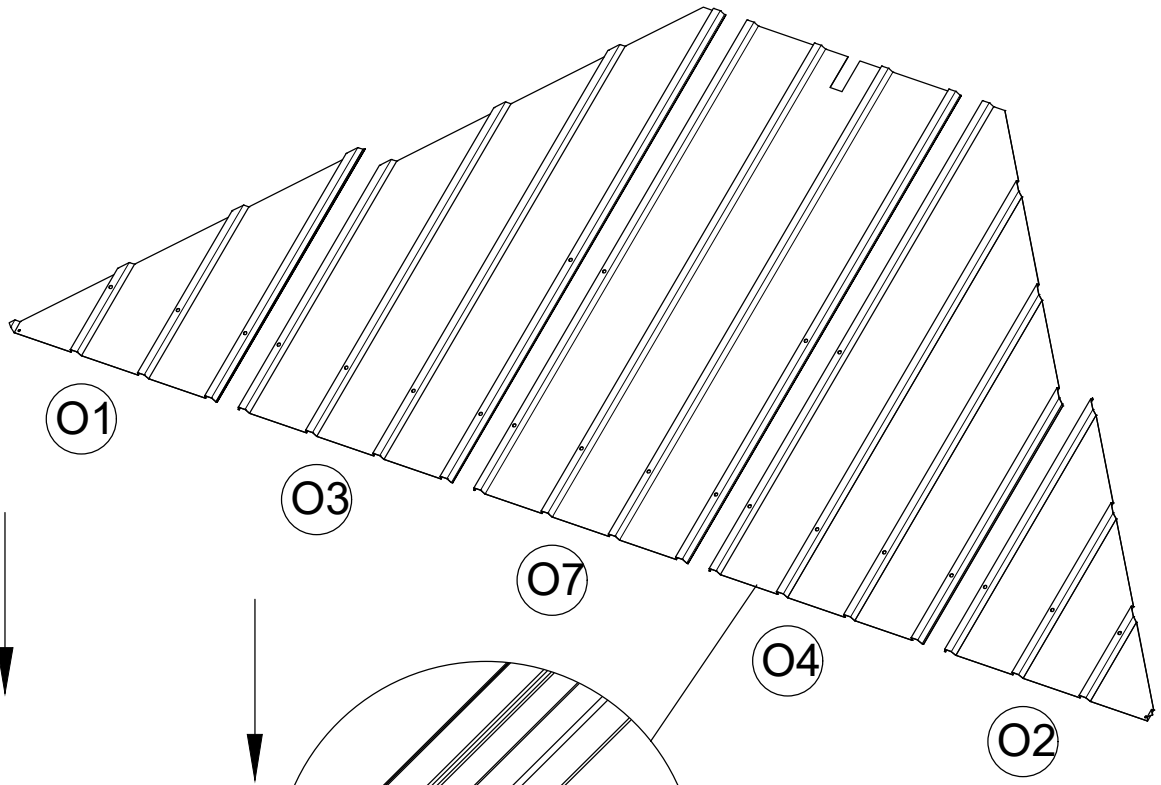
1 8x



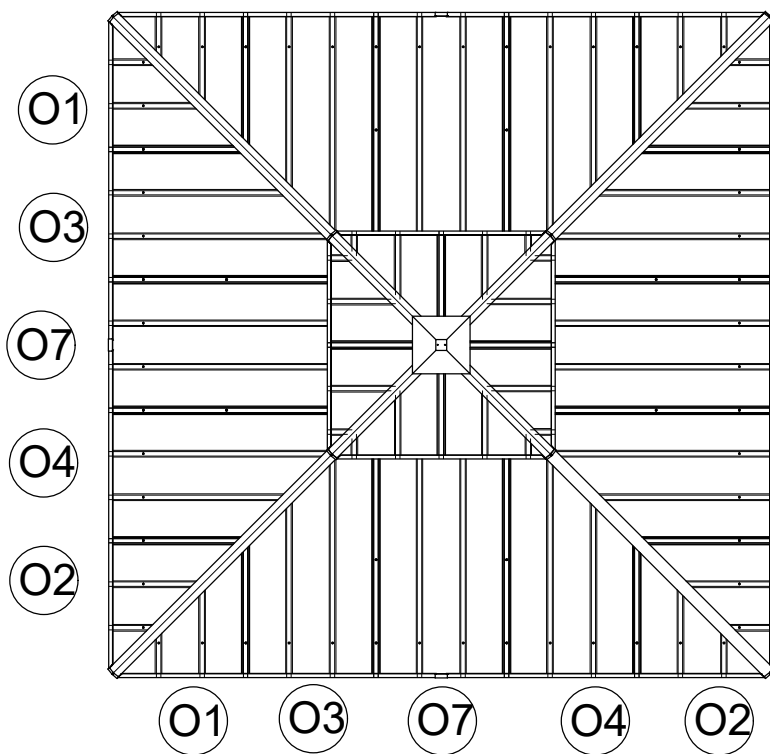
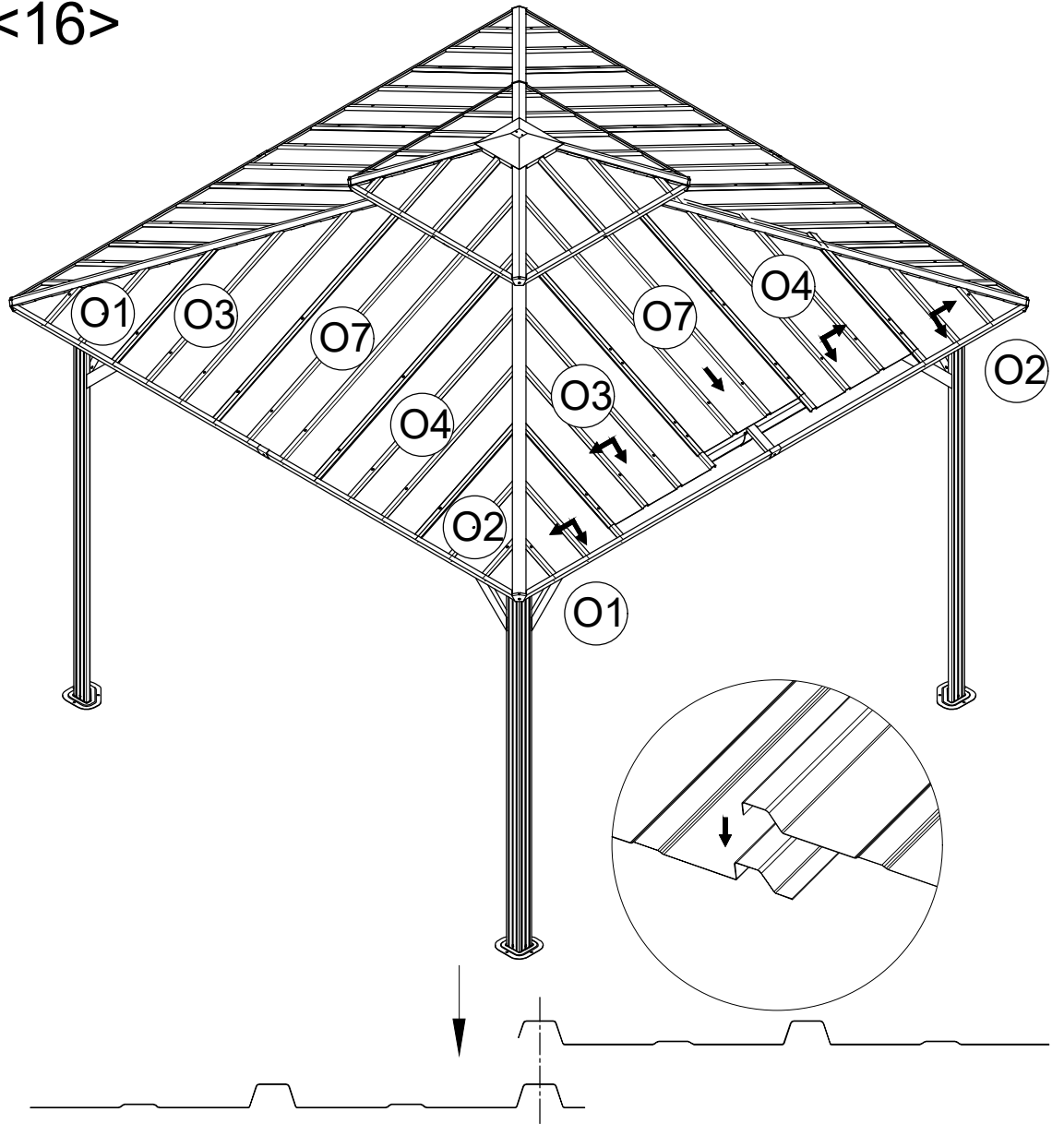
<14>



<15>



<16>





<17>

Y 64x



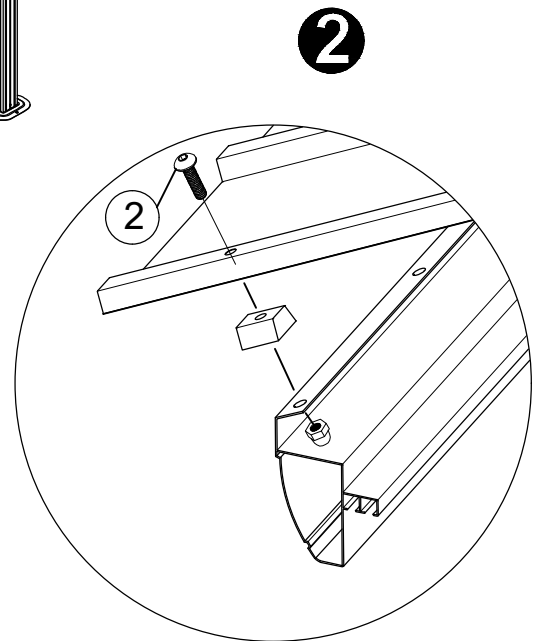
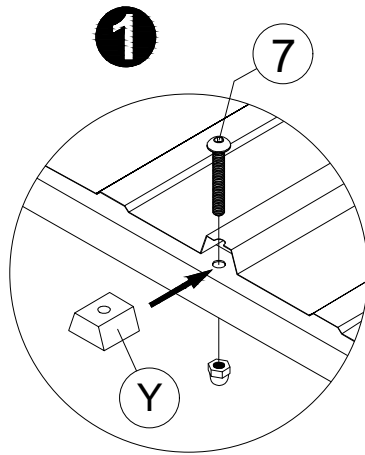
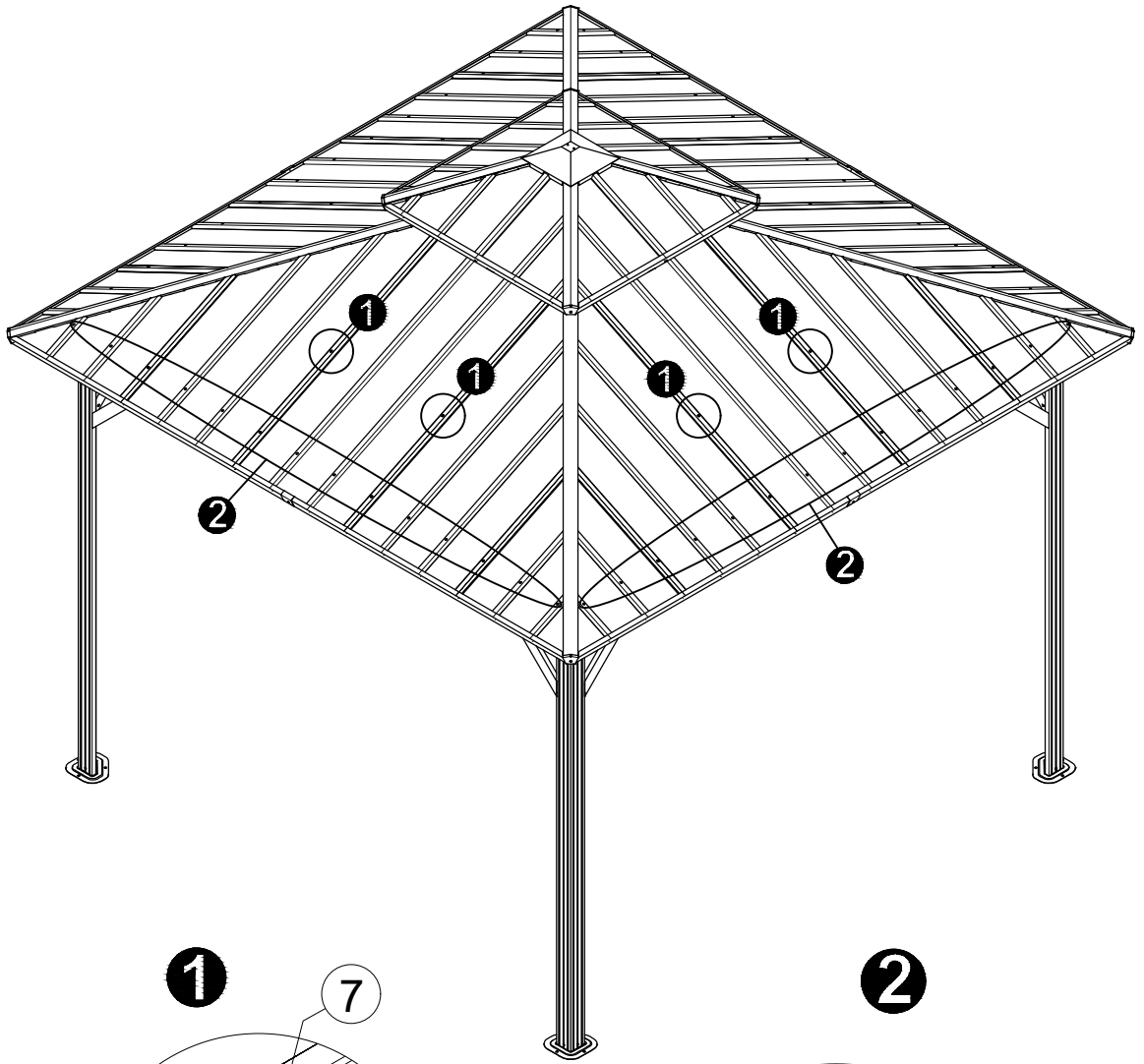
M6x23

2 56x

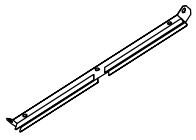


M6x45

7 8x

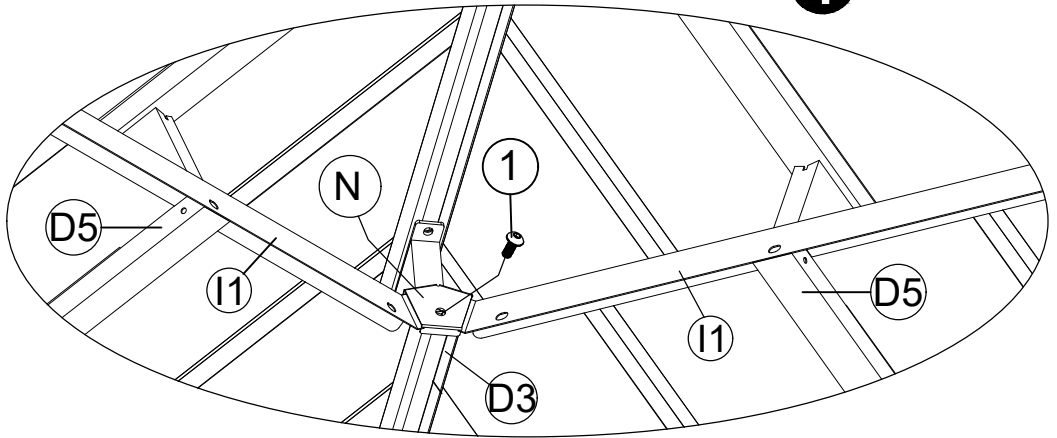


Note: When installing the roof top plates, if the roof plates are slightly uneven, please press the screws from the top of the plates until the bottom screw thread is exposed by 3 to 4mm, and then screw on the nut.



<18>

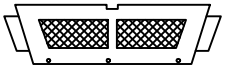
1



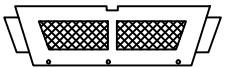
I1 4x



N 4x

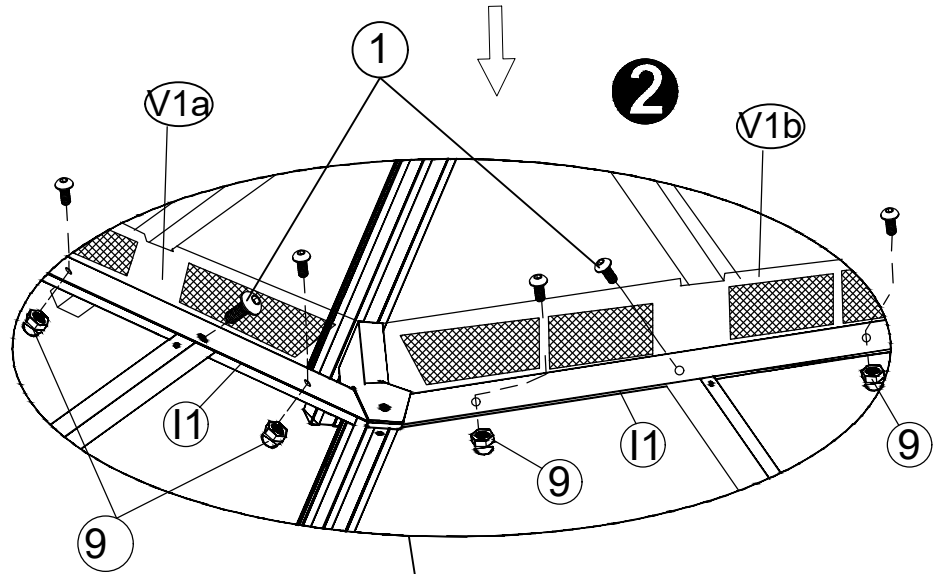


V1a 2x



V1b 2x

2



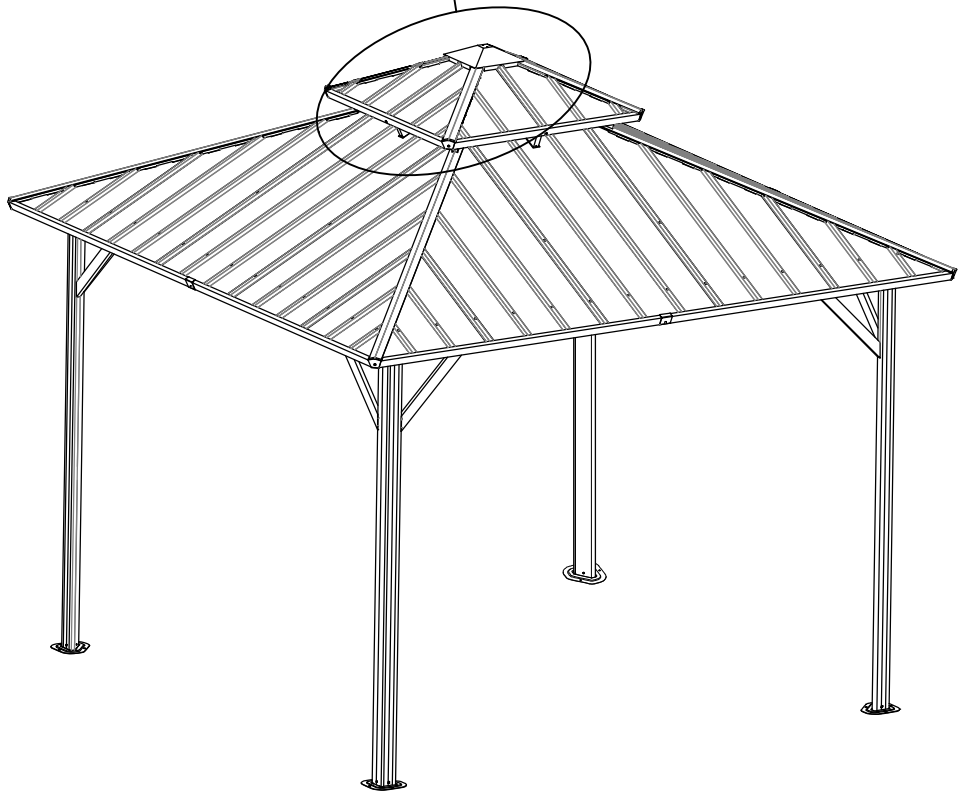
M6x15

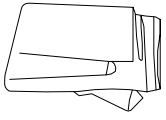
1 8x



M6x10

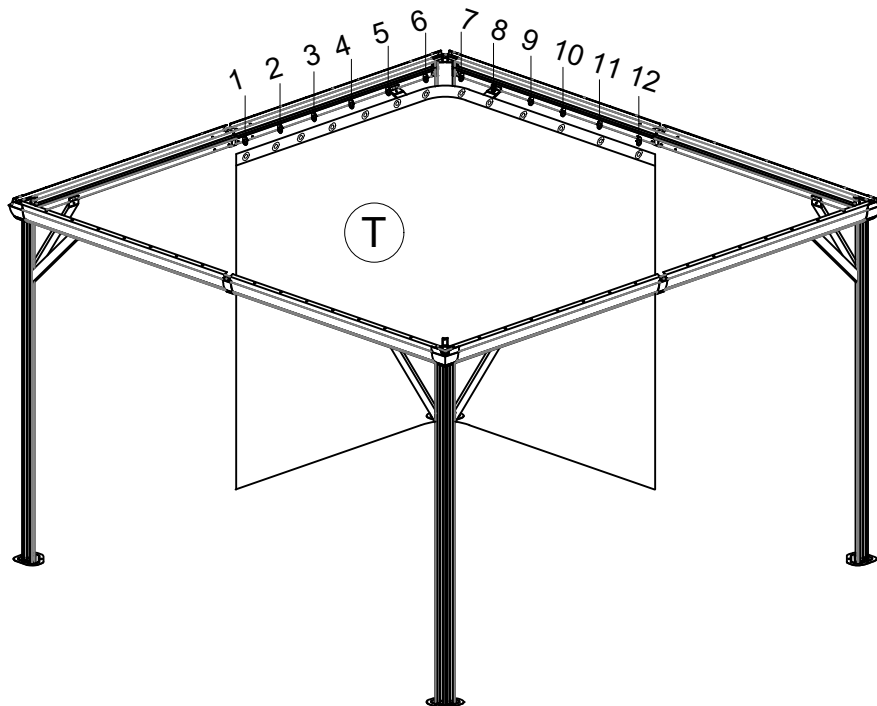
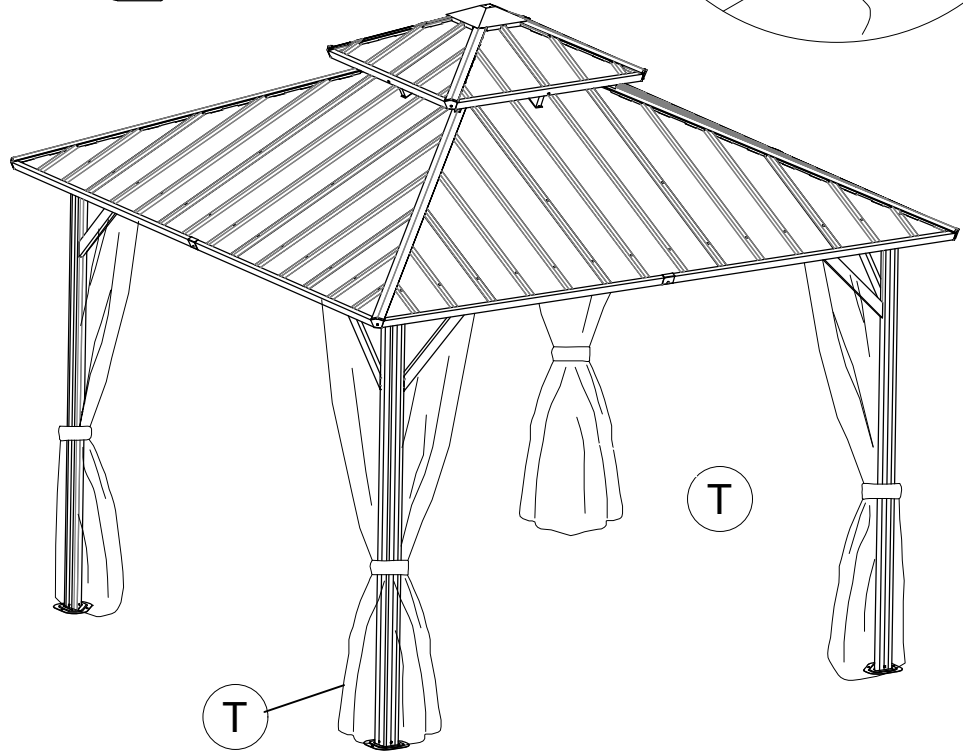
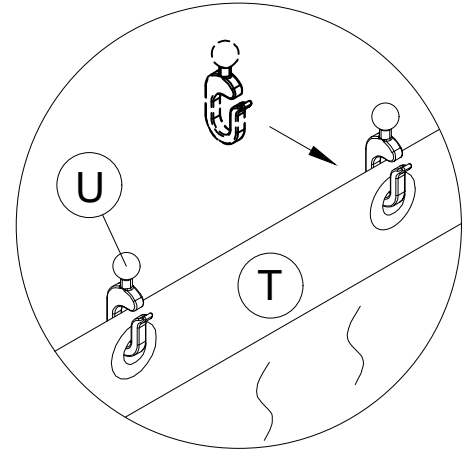
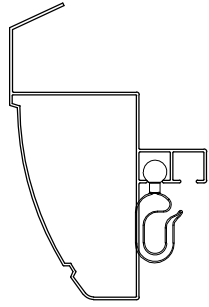
9 8x

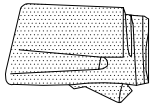




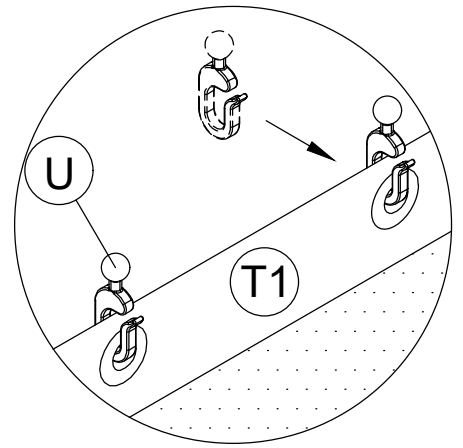
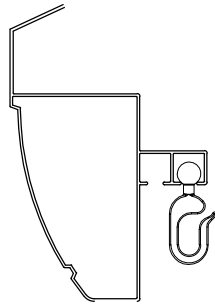
<19>

T 4x

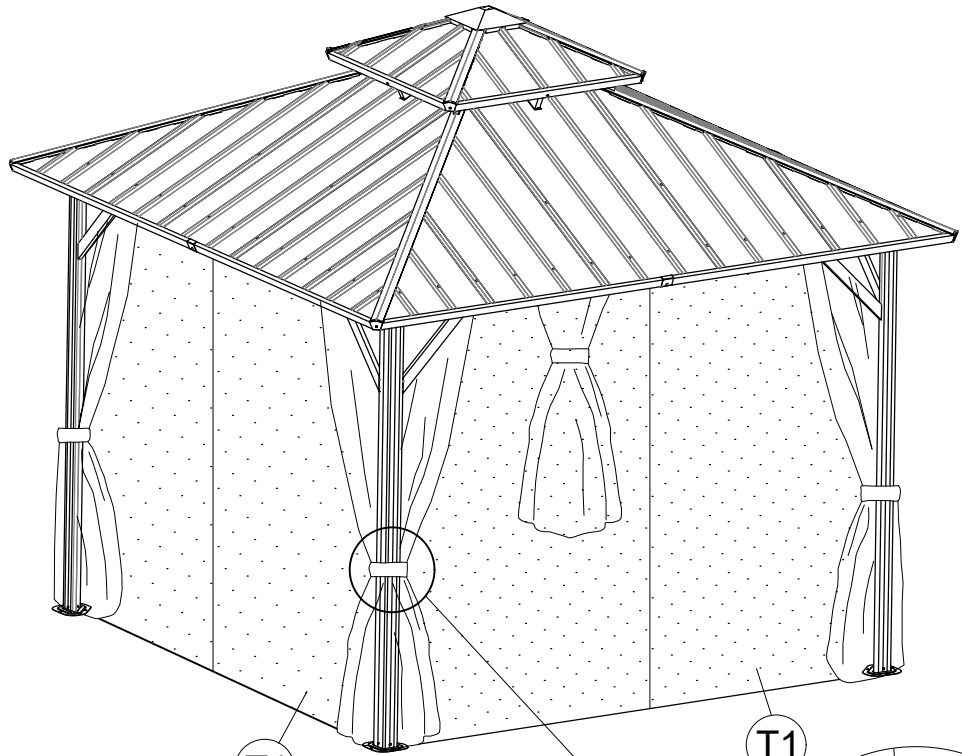




<20>

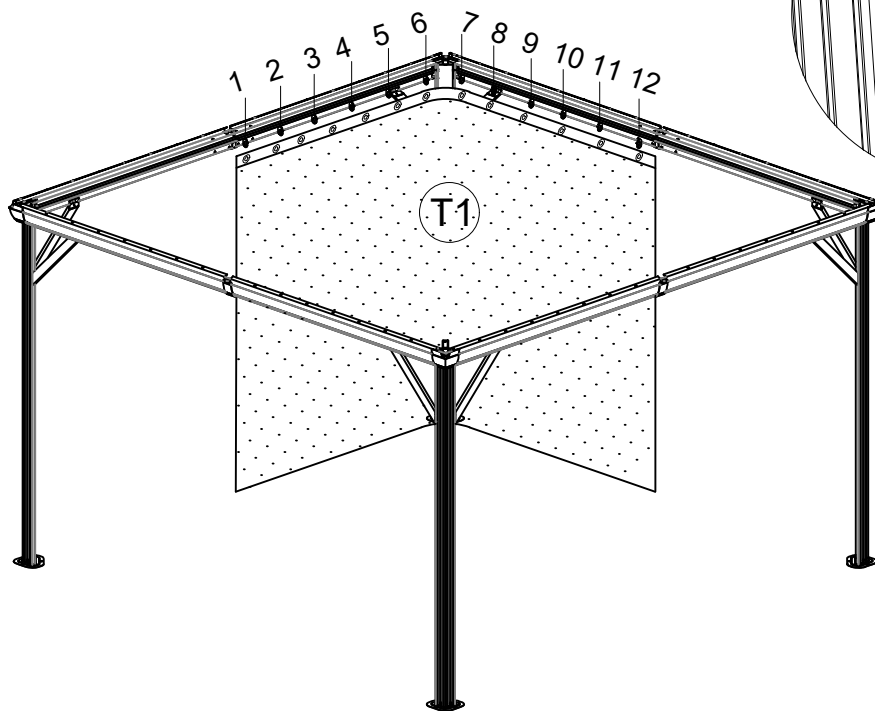
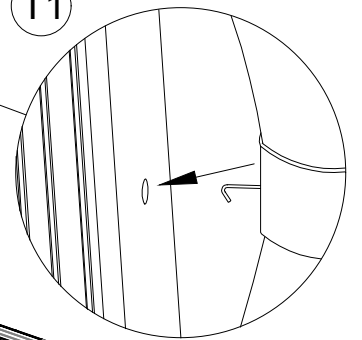


T1 4x



T1

T1



Carton-1/3		Carton-2/3		Carton-3/3	
Part	Qty	Part	Qty	Part	Qty
A3	4	W1	4	O1	4
D3	4	W2	4	O2	4
C7	4	D5	4	O3	4
C8	4	E5	4	O4	4
H	4	G1	4	O7	4
H1	4	I1	4	S1	4
F6	4	L1B	1	S2	4
F7	4	M1	1		
V1a	2	J	4		
V1b	2	P	4		
		K1	4		
		K2	4		
		V	4		
		Q2	4		
		Q4	8		
		Q5	8		
		Z	56		
		Z1	8		
		Z2	8		
		Y	64		
		U1	96		
		N	12		
		N1	4		
		T	4		
		T1	4		
		1.2.4.5.6.7.8.9. 10.12.13.14.15	1		