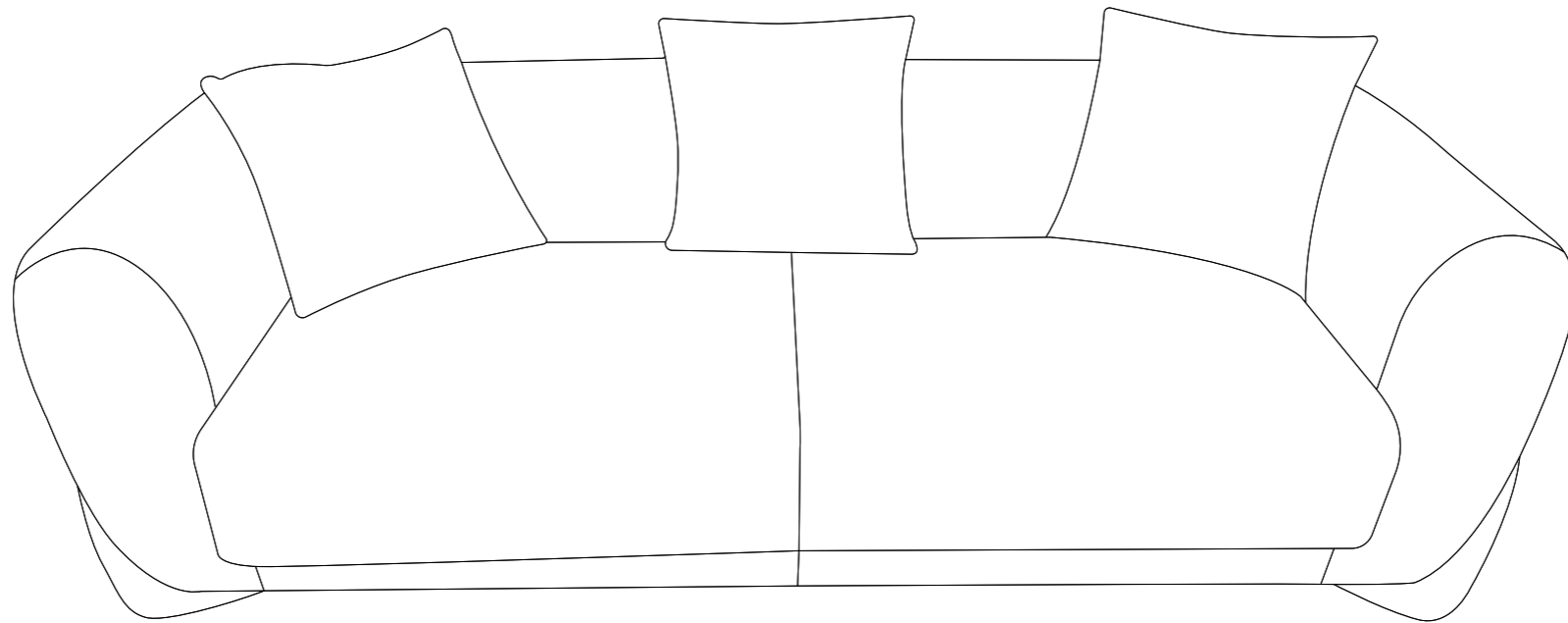


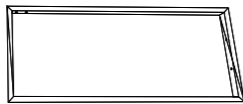
Assembly Guide

Modern Cloud Sofa

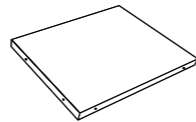


Components

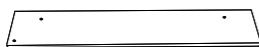
A x2



B x2



C x1



D x1



E x1



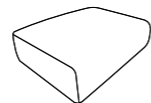
F x1



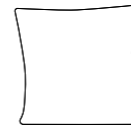
G x1



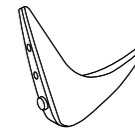
H x2



I x3



J x4



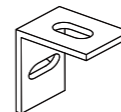
K x2



L x2



M x2



Components

N x8 M8X55



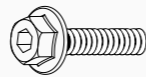
O x2 M8X60



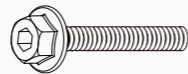
P x8 M8X50



Q x12 M6X16



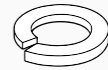
R x4 M6X35



S x14



T x10



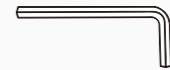
U x2



V x1



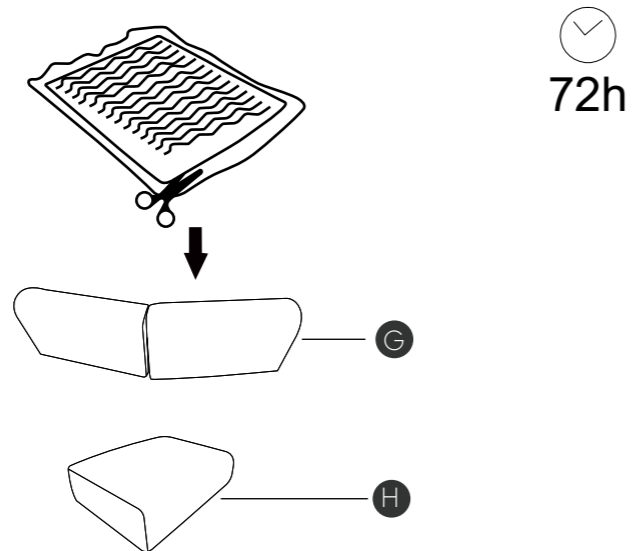
W x1



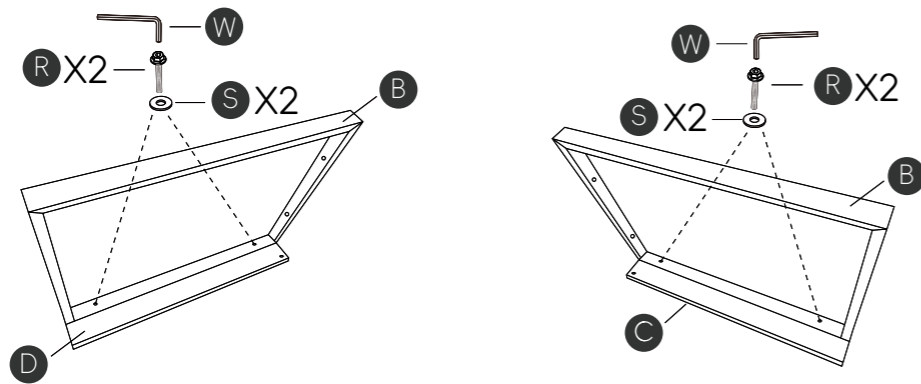
Installation

The installation steps are as follows:

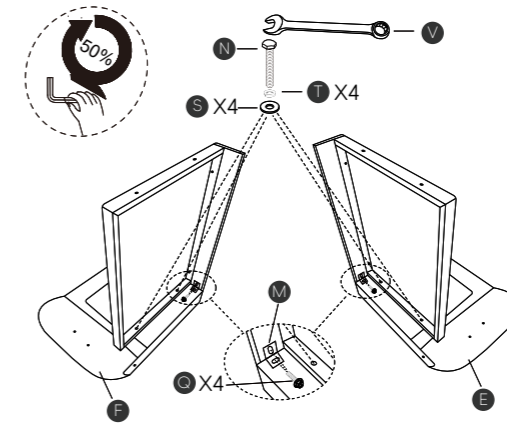
Step 1 Open the compressed packaging bag and let the cushions and backrests rest for 48 to 72 hours.



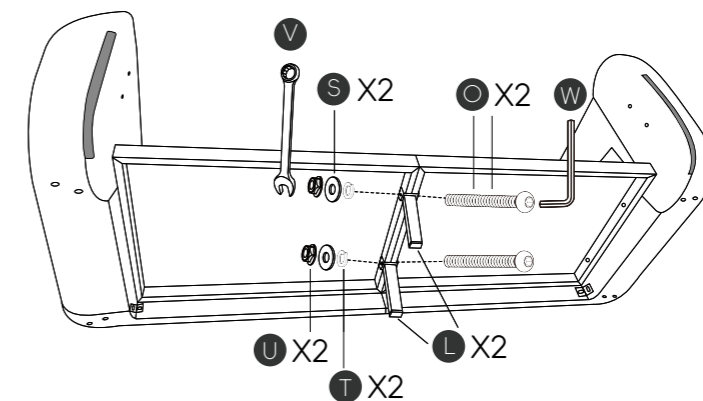
Step 2 Secure sofa base B to components C and D using screws.



Step 3 Attach side arms E and F to base B with screws respectively. Then connect both arms to components C and D using part M and tighten securely. Note: First tighten screws on one side to 50%, then fully tighten the opposite side.



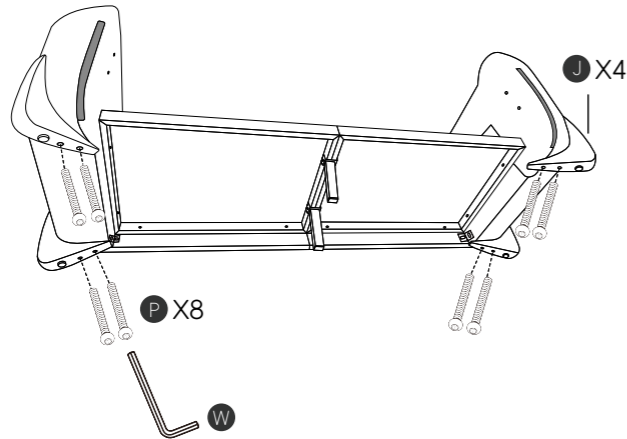
Step 4 Connect sofa base sections using component L and tighten securely.



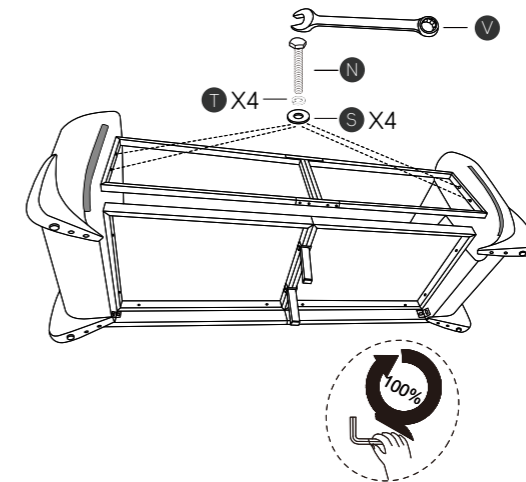
Installation

The installation steps are as follows:

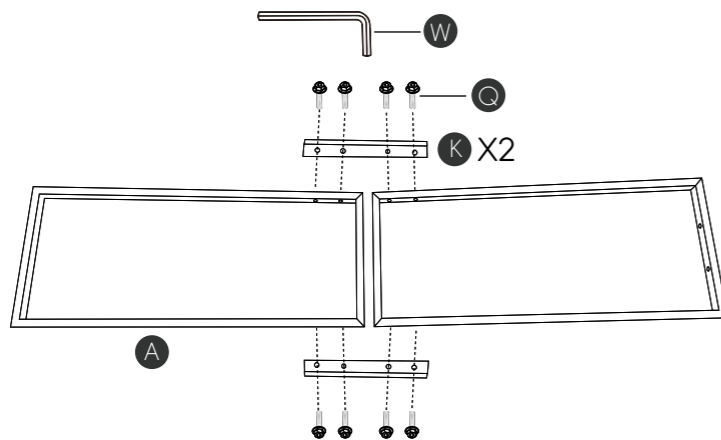
Step 5 Install wooden legs J to arms E and F and fasten firmly.



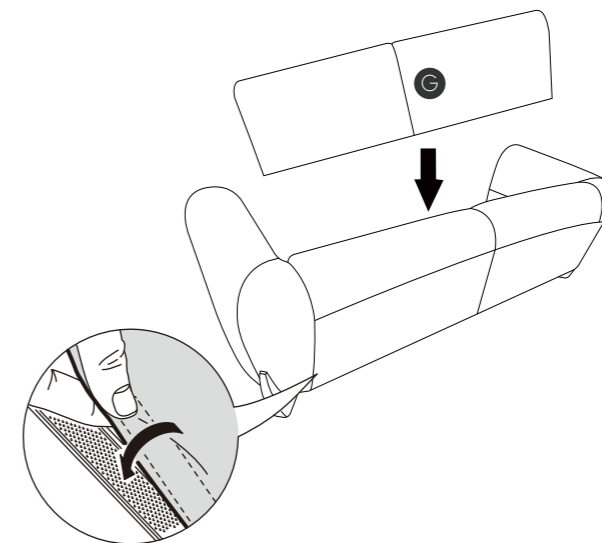
Step 7 Connect the assembled back frame A to both side arms and tighten all screws completely.



Step 6 Attach back frame A using component K and secure tightly.



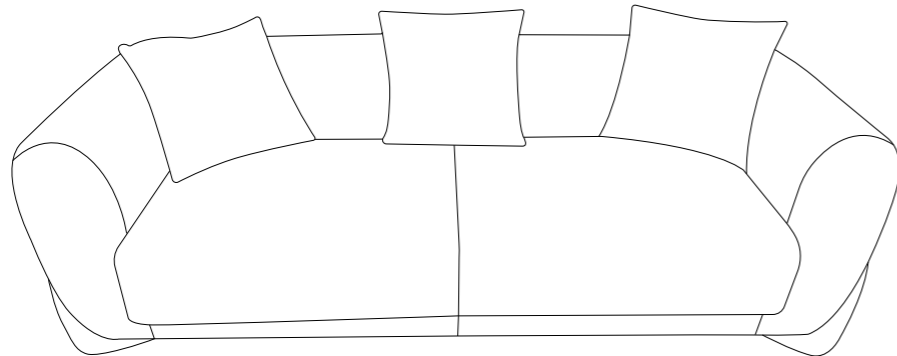
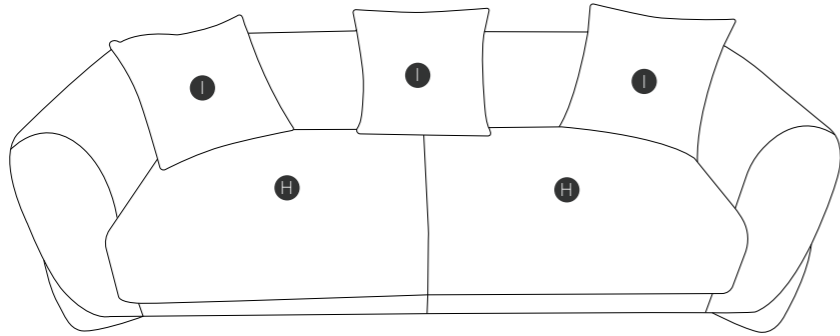
Step 8 Insert the upholstered backrest G into the backrest frame, and press the hook-and-loop tape firmly to secure it.



Installation

The installation steps are as follows:

Step 9 Place seat cushions H and throw pillows I onto the sofa.



Sofa Care

To keep your sofa looking great and extend its lifespan:

- Vacuum regularly with a soft brush attachment to remove dust and debris.
- Clean spills immediately with a clean cloth—do not rub forcefully.
- Wipe clean with a damp cloth. Use only mild fabric-safe cleaners. Test first on a hidden area.
- Avoid direct sunlight to prevent fading.
- Realign modules regularly to prevent shifting or gaps.
- Fluff and rotate cushions to maintain shape and comfort.
- Keep sharp objects away from the surface of the sofa.