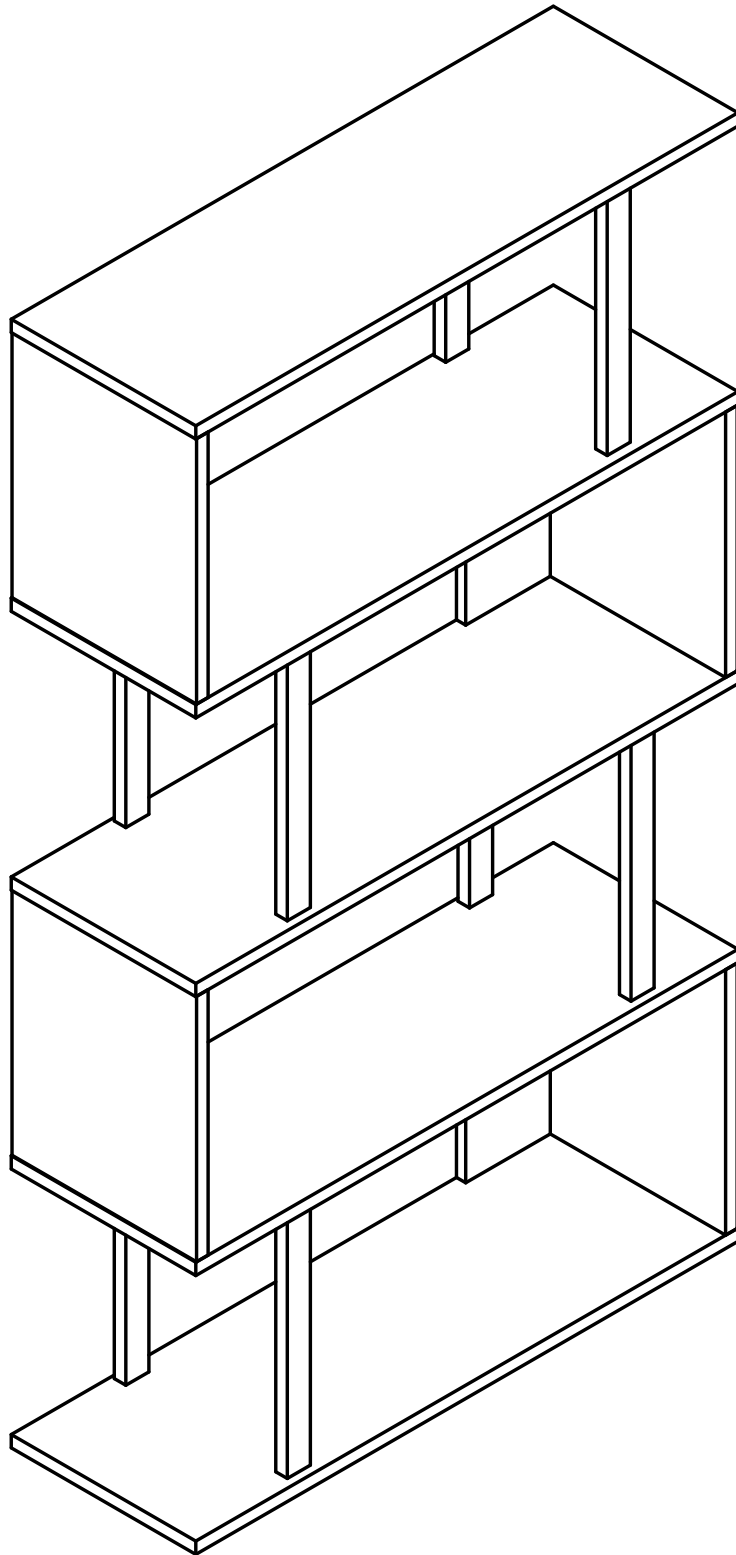


Bookshelf

ASSEMBLY INSTRUCTIONS



General Guidelines

- * Please read the following instruction carefully and use the product accordingly.
- * Please keep this manual and hand it over when you transfer the product.
- * This summary may not include every detail of all variations and considered steps. Please contact us when further information and help are needed.

Notes

- * The product is intended for indoor use only. The product must be assembled and used in accordance with the provisions of the manual. Personal injury and/or damage to product may occur if products are used outside of their intended purposes and/or if products have been changed/modified from their original design. The seller does not assume any responsibility or liability with respect to any injury/damage caused by incorrect assembly or improper use.
- * If there are any defective or missing parts after unpacking, please cease assembly immediately and contact us.
- * Please wear gloves during the assembly and/or disassembly process to avoid scratches from any sharp edges..
- * Please place this item on level, solid ground during use.
- * Avoid long-term exposure to humid environments to prevent mildew.
- * Keep the product away from fire sources and high temperatures. Do not expose the product to direct sunlight.
- * Do not place any hot objects on the surface of the product.
- * **Do not fully tighten the screws during initial assembly. Fully tighten screws only once all pieces which are correctly assembled**

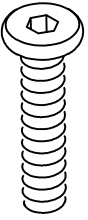
Warnings

- * Children are not allowed to assemble the product. During assembly, keep all any small parts out of the reach of children as they may be fatal if swallowed or inhaled.
- * Children are forbidden to climb or play on the product to avoid serious bodily injury caused by the toppling.
- * Keep plastic packing bags out of reach of children to avoid any potential danger, such as suffocation.
- * The product should be attached to the wall with the included anti-tipping kit to prevent personal injury caused by accidentally tipping over.



Hardware Provided

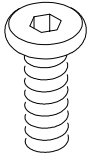
1



M6*40mm

X 8+1

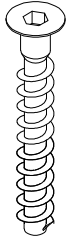
2



M6*20mm

X 8+1

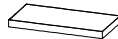
3



ST5x40mm

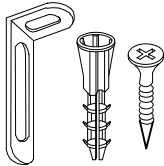
X 32+2

4



X 6

5



2PCS

X 1

6



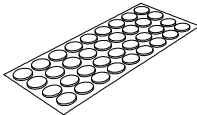
X 1

7



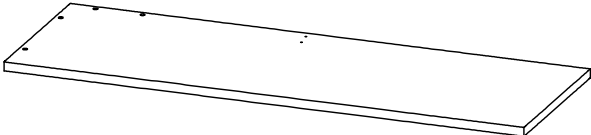
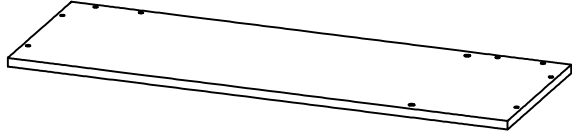
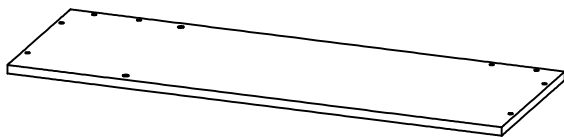
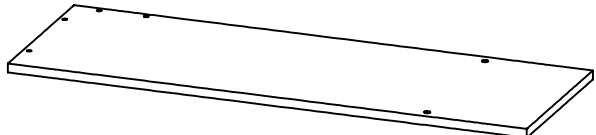
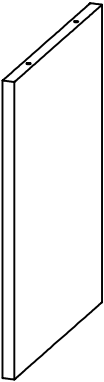
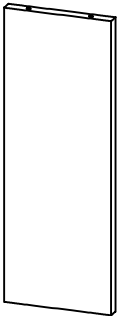
X 1

8



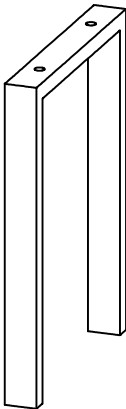
X 1

Parts Identification

<p>A</p>  <p>X 1</p>	<p>B</p>  <p>X 2</p>
<p>C</p>  <p>X 1</p>	<p>D</p>  <p>X 1</p>
<p>E</p>  <p>X 4</p>	<p>F</p>  <p>X 4</p>

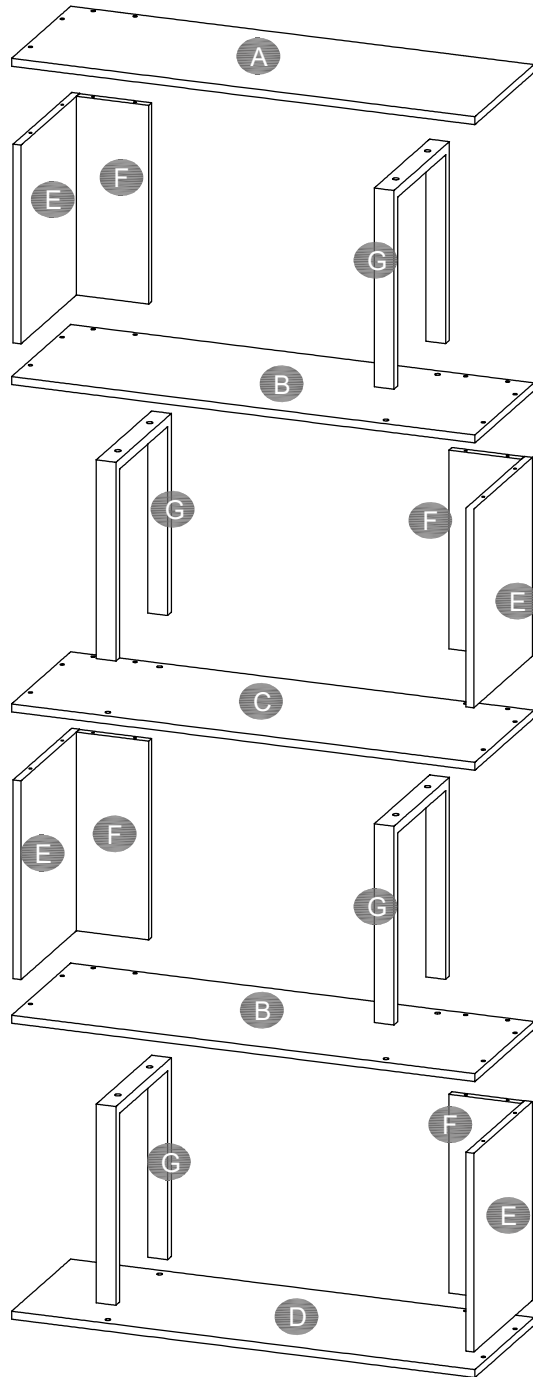
Parts Identification

G

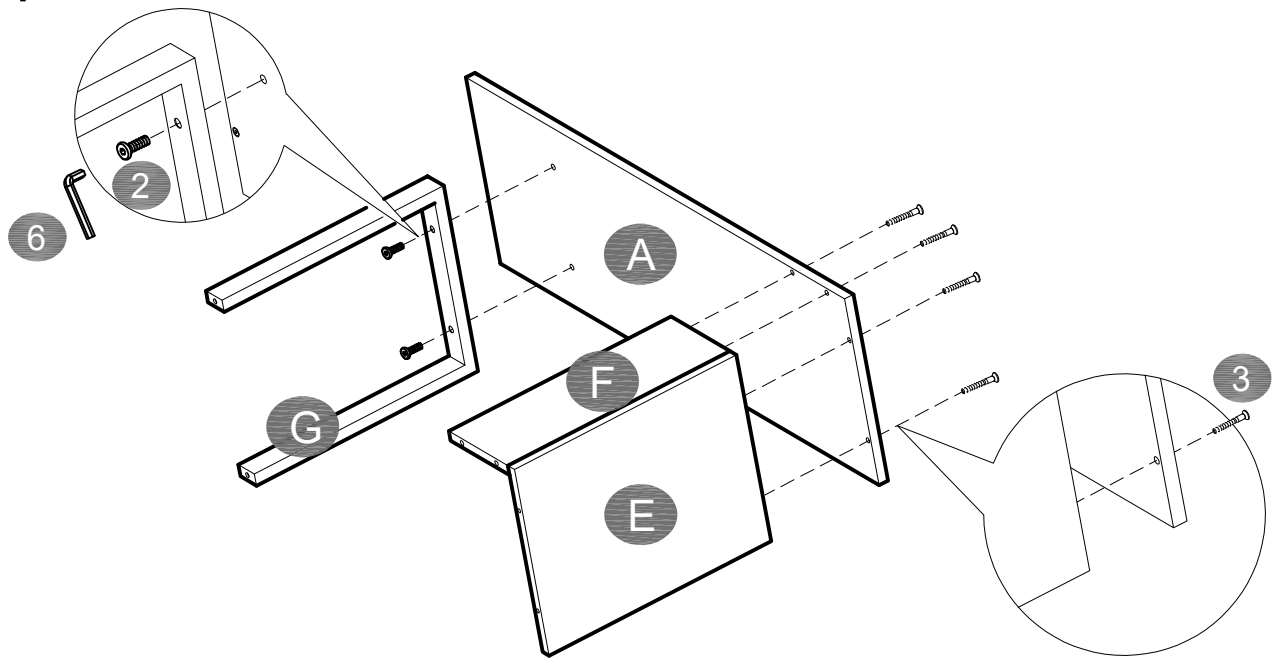


X 4

Exploded View

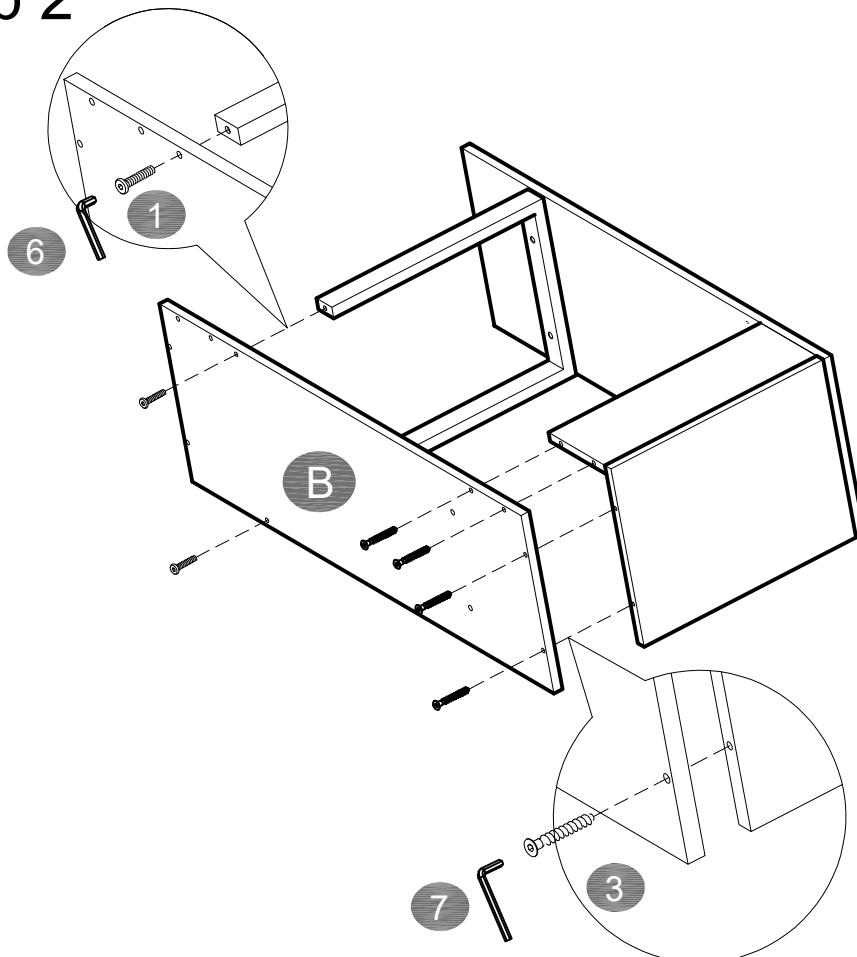


Step 1



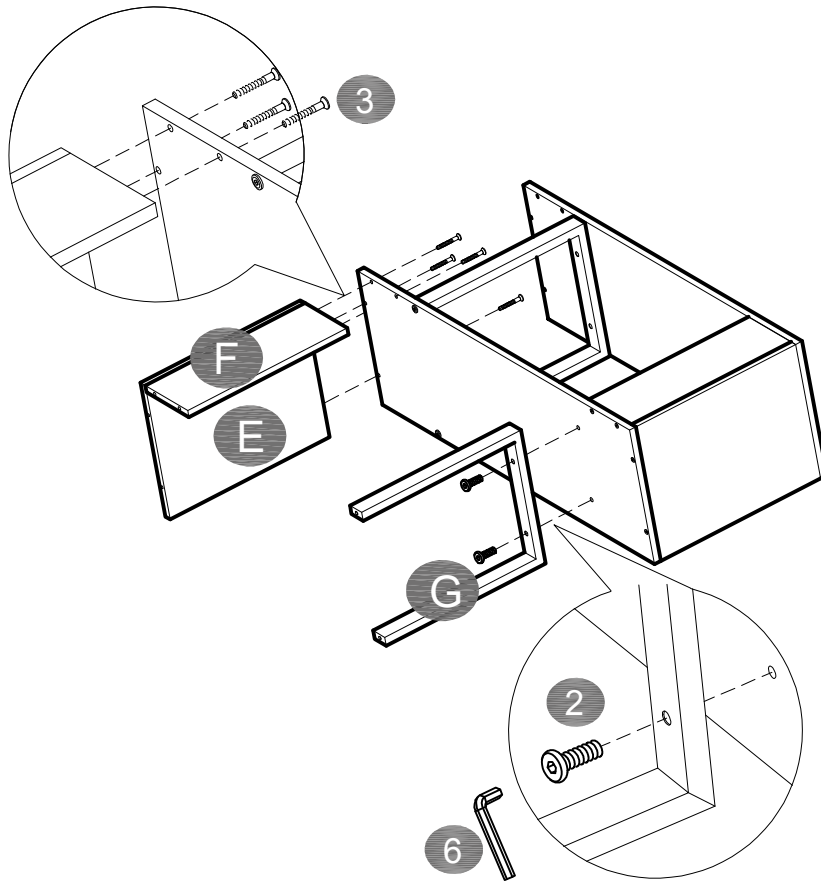
2	M6*20mm	X 2
3	ST5x40mm	X 4

Step 2



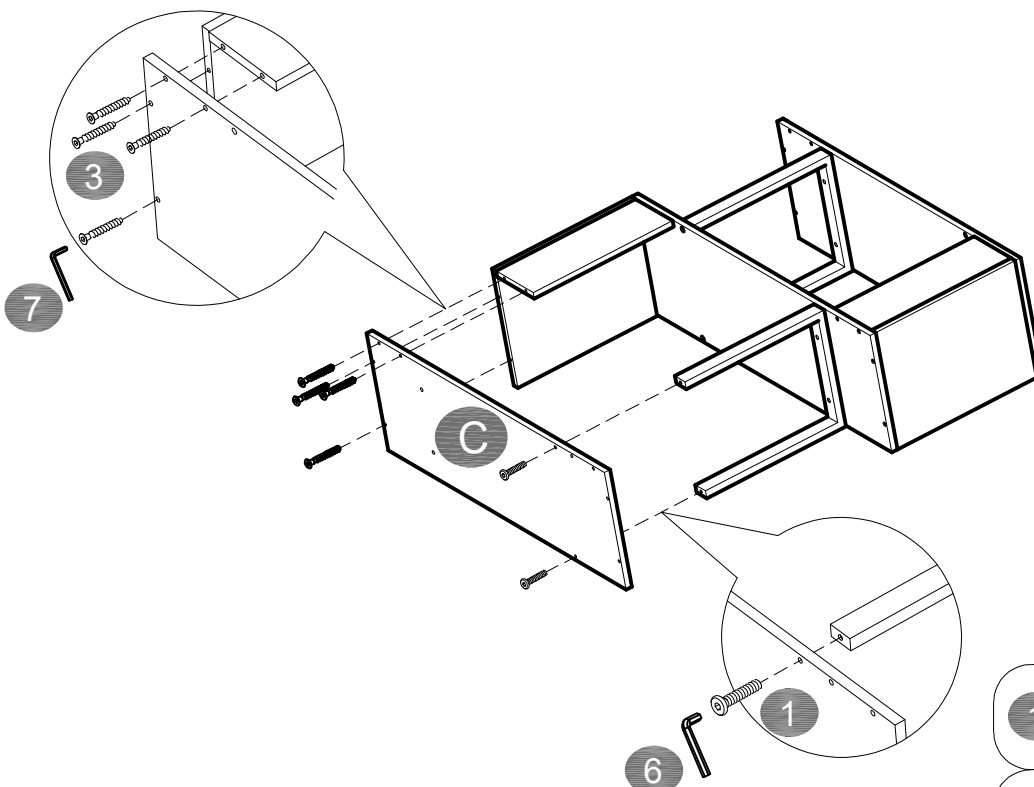
1	M6*40mm	X 2
3	ST5x40mm	X 4

Step 3



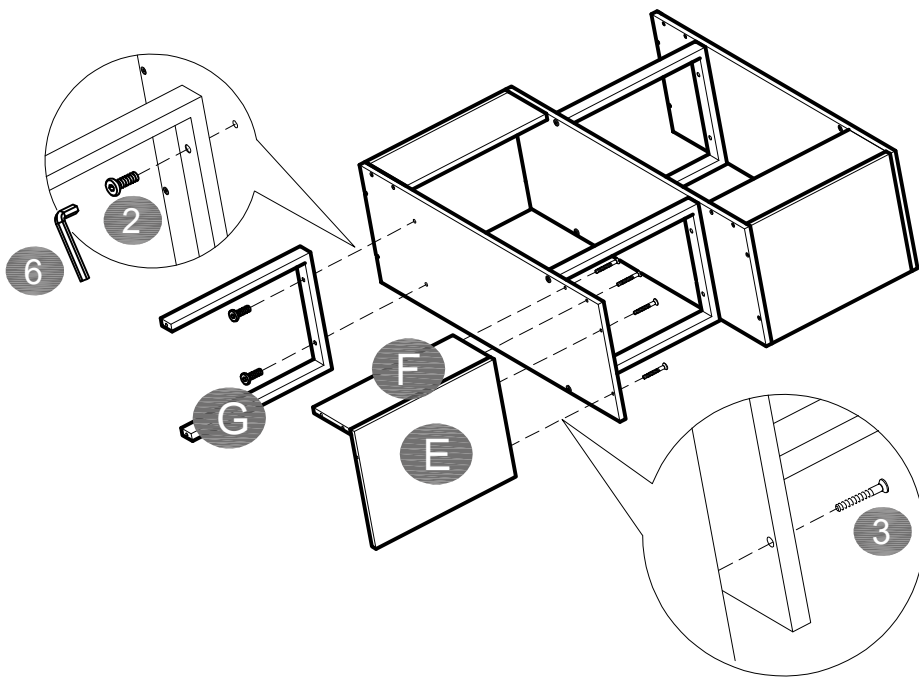
2	M6*20mm	X 2
3	ST5x40mm	X 4

Step 4



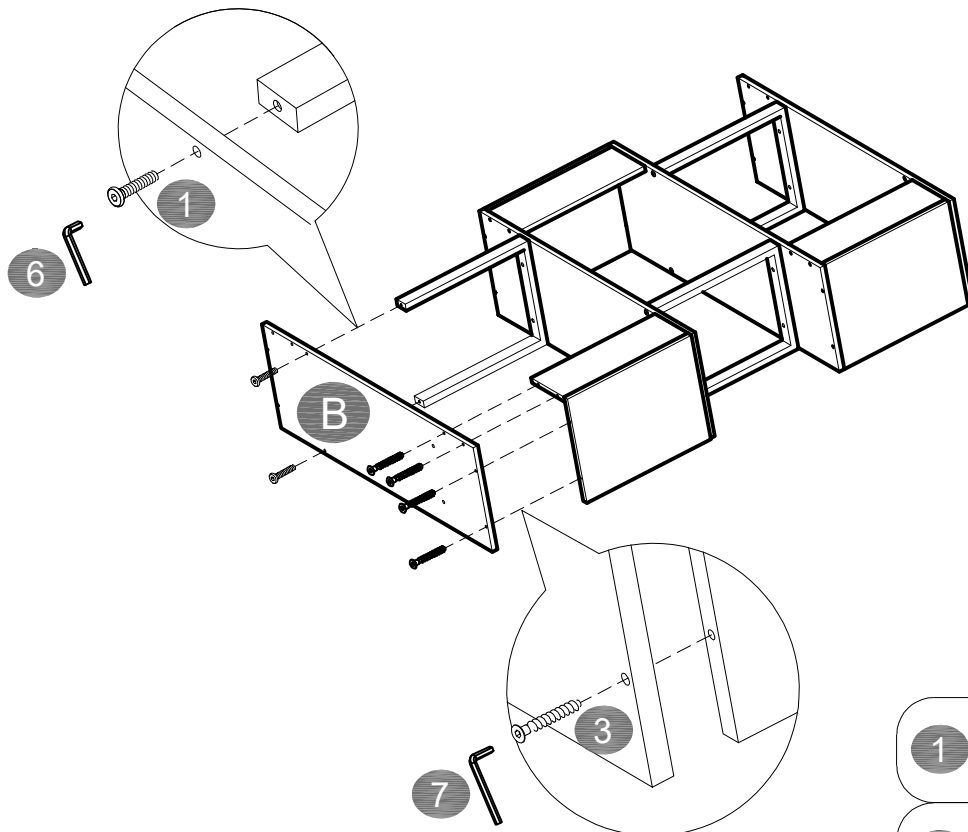
1	M6*40mm	X 2
3	ST5x40mm	X 4

Step 5



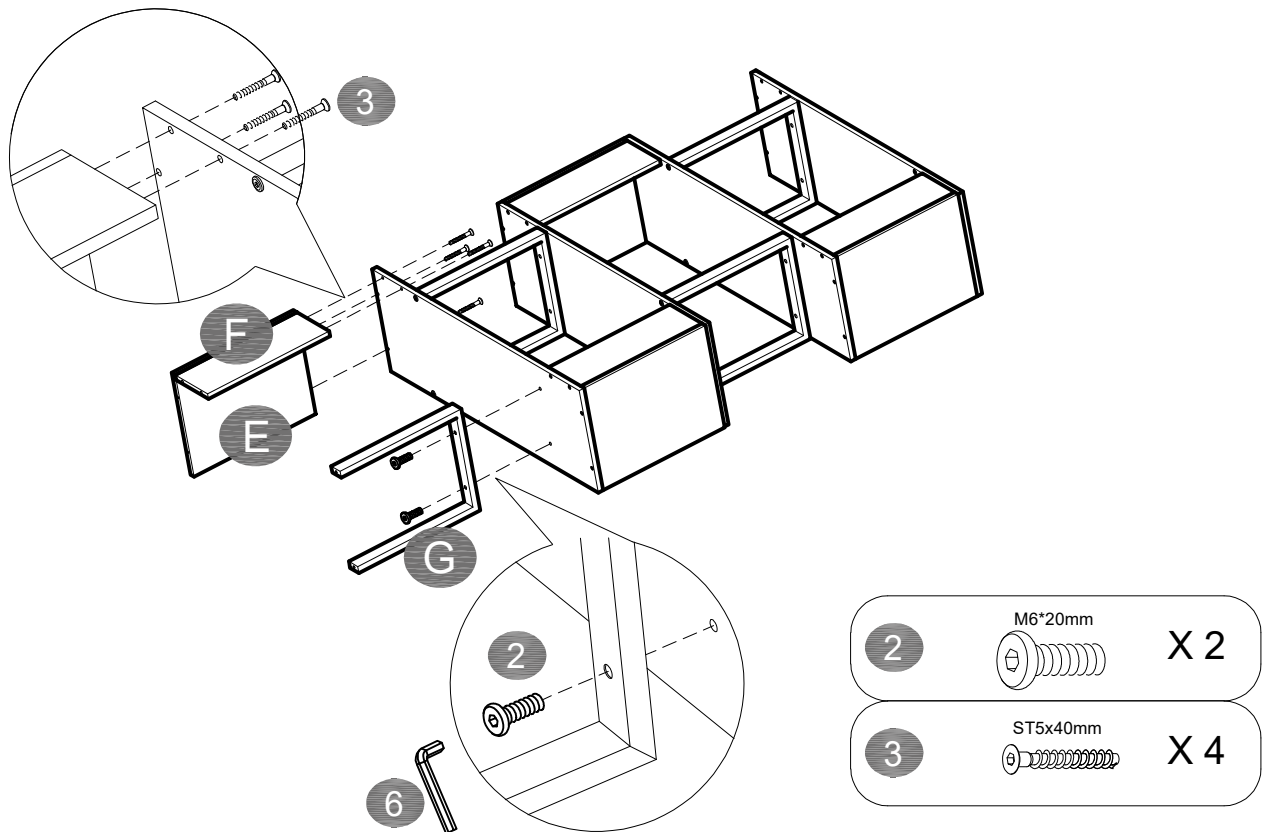
2	M6*20mm	X 2
3	ST5x40mm	X 4

Step 6

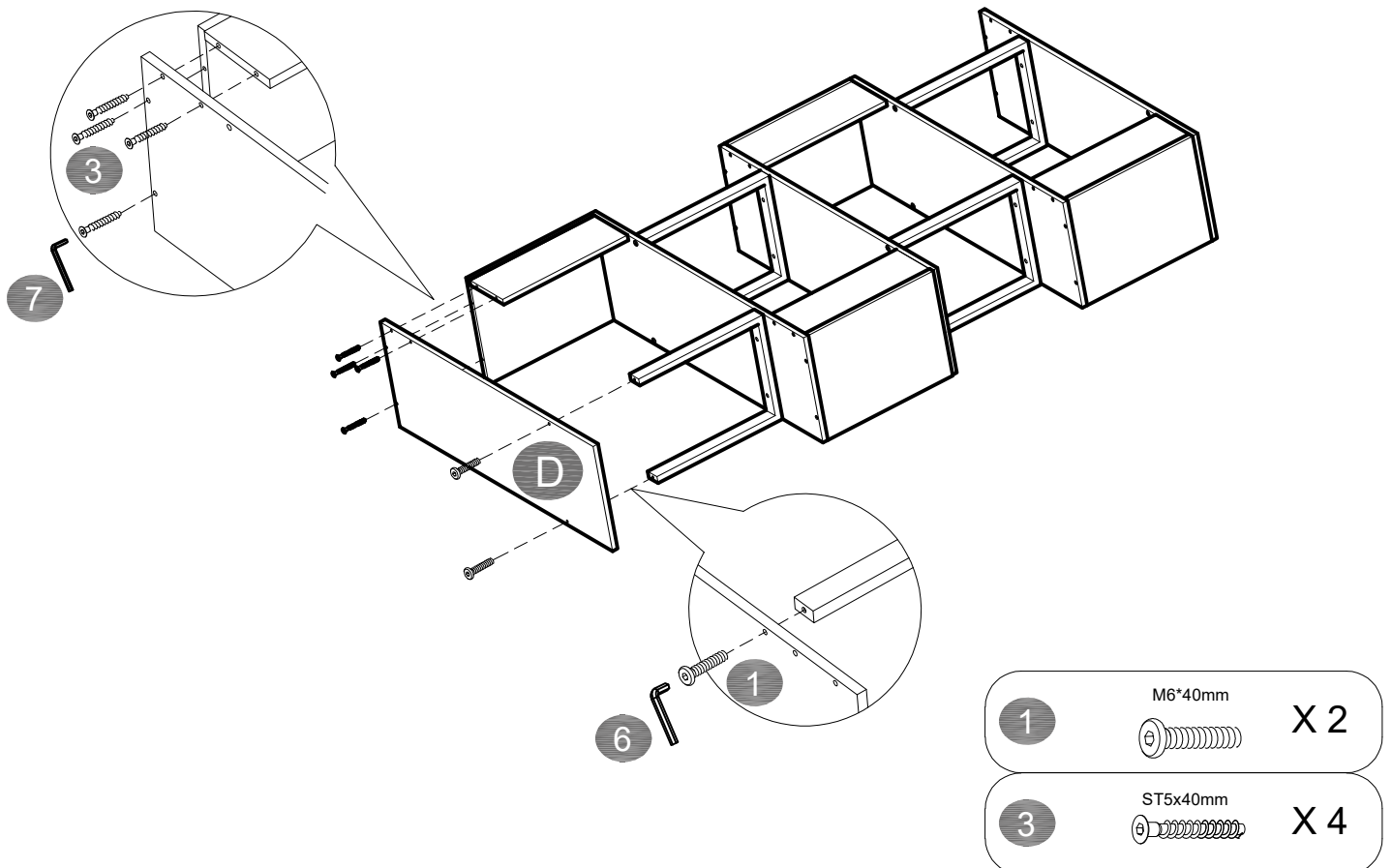


1	M6*40mm	X 2
3	ST5x40mm	X 4

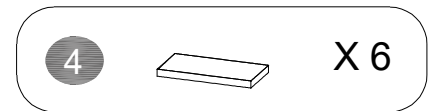
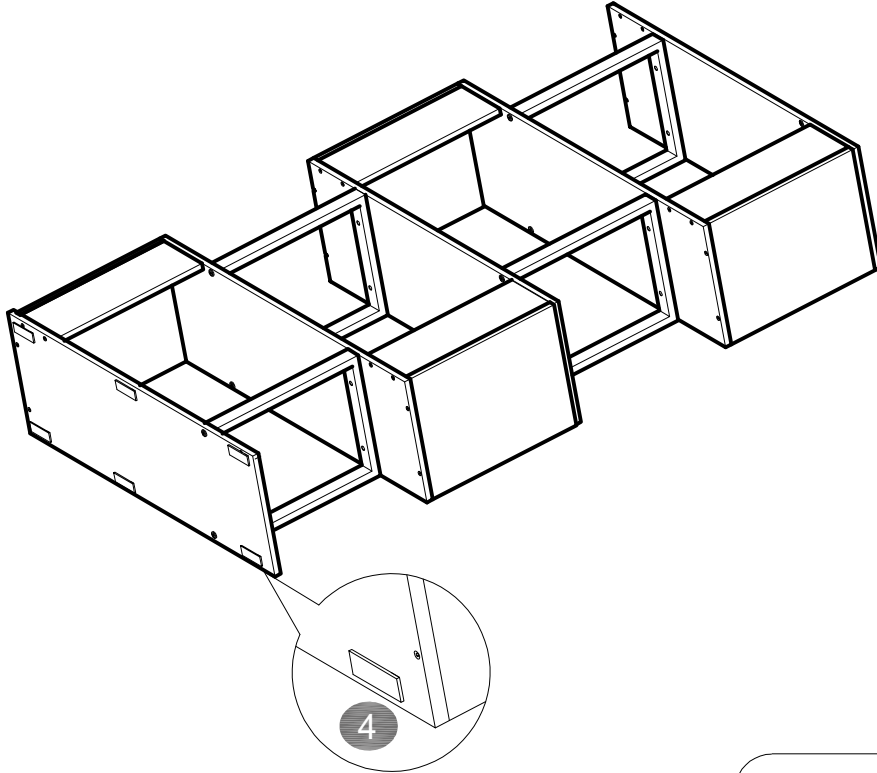
Step 7



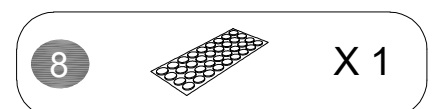
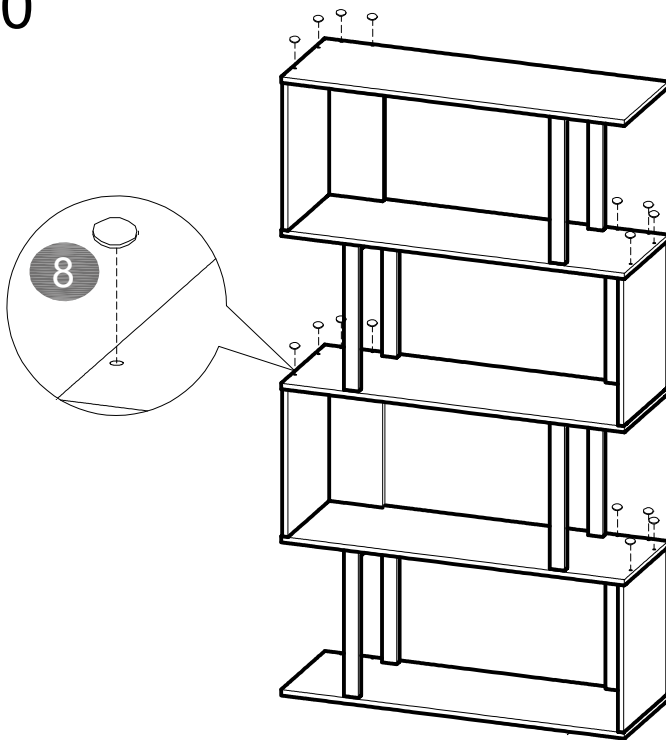
Step 8



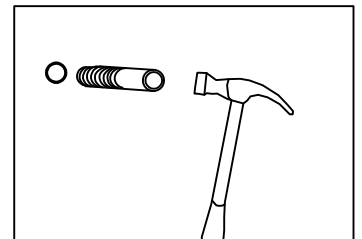
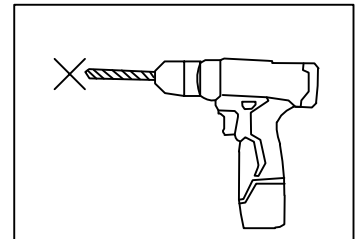
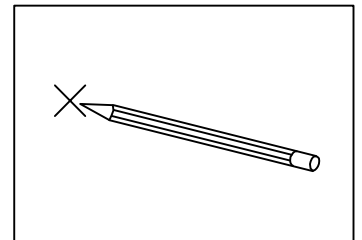
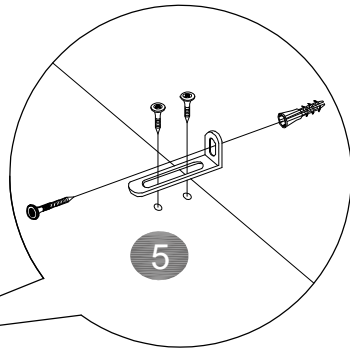
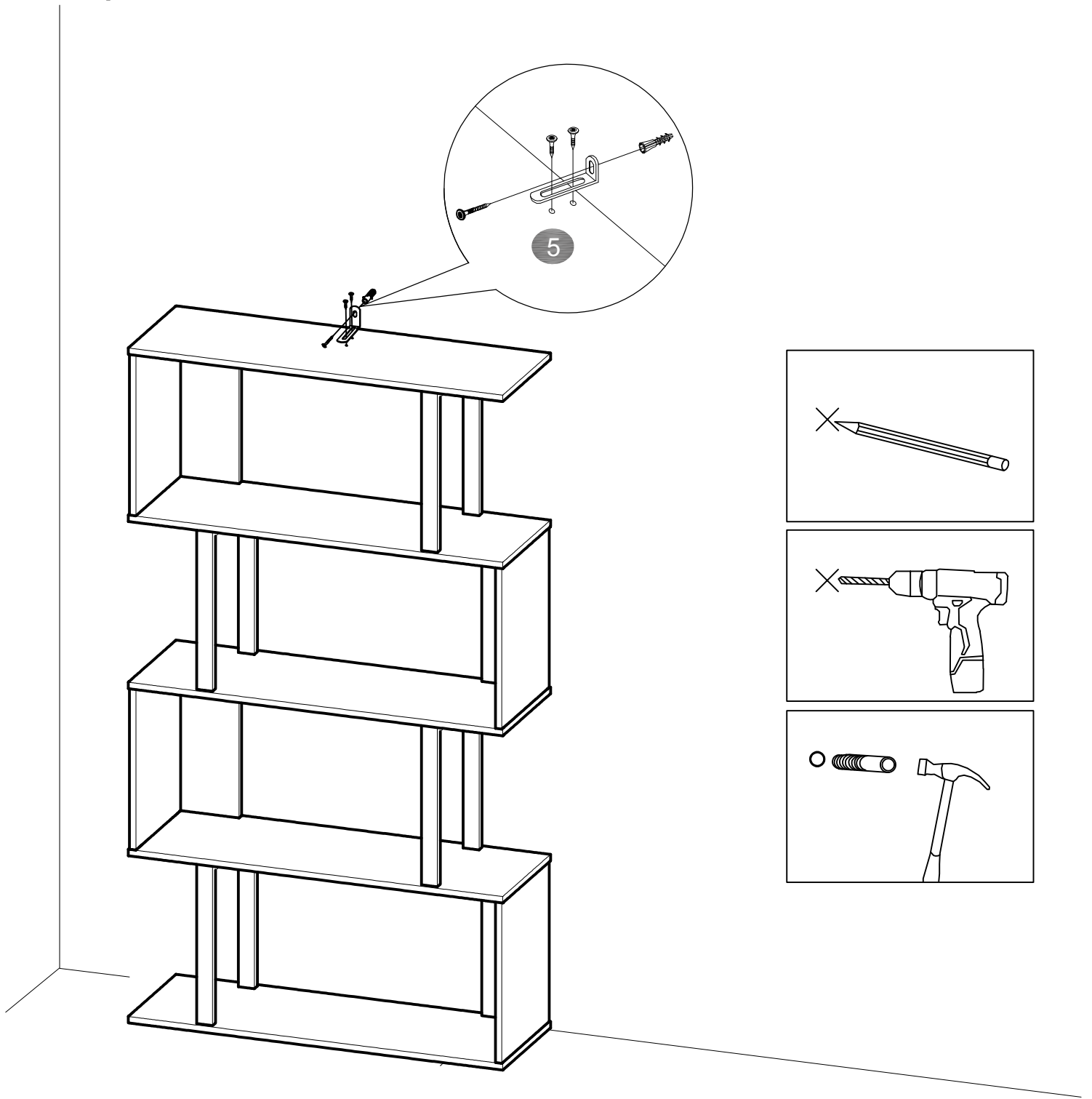
Step 9






Step 10



Step 11



5  2PCS X 1  

Step 12

