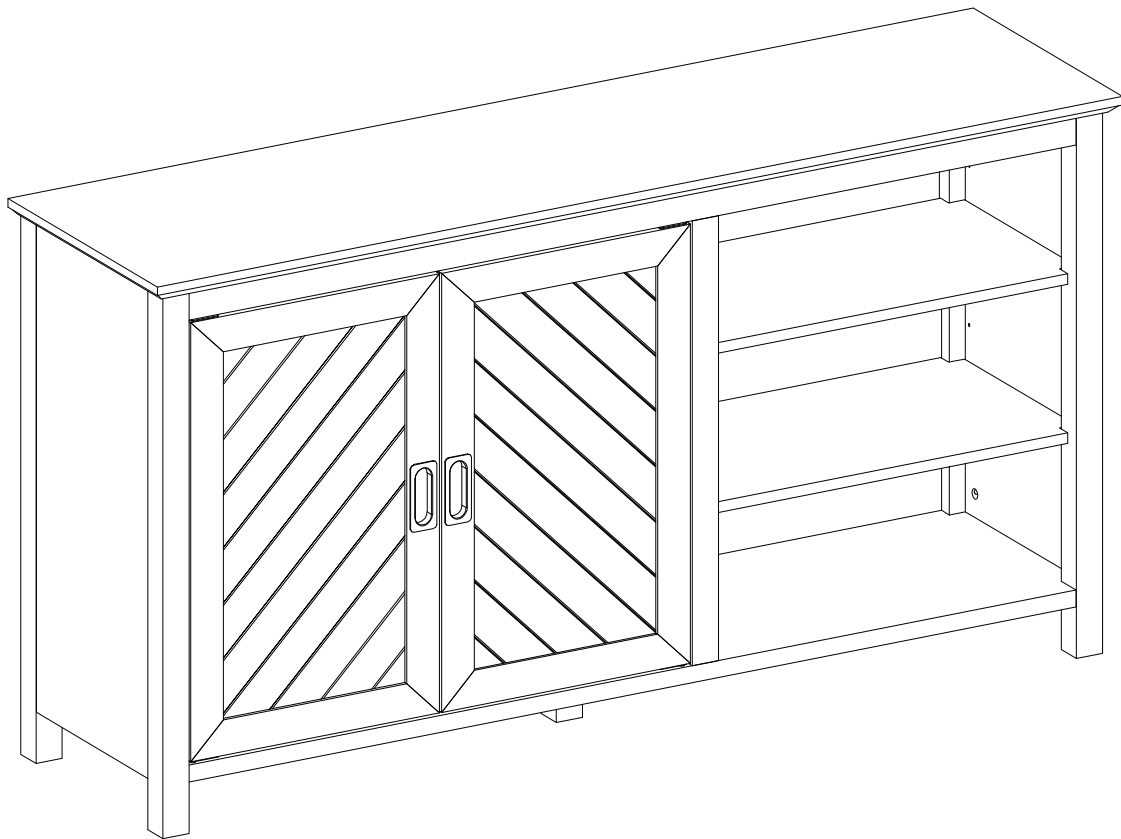
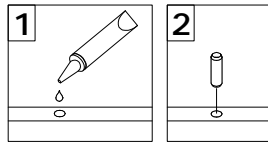


# Assembly Instructions

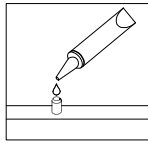


# General Assembly Guidelines

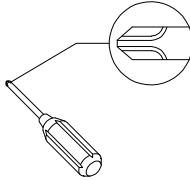
- I. Ensure that all parts and hardware are available before beginning assembly.
- II. Follow each step carefully to ensure the proper assembly of this product.
- III. Two people are recommended for ease in the assembly of this product.
- IV. The three main types of hardware used to assemble this product are : wood dowels , screws and bolts.
- V. The provided glue is to secure wood dowels in place . When first inserting dowels , locate the appropriate hole for the dowel , place a small amount of glue in the hole and insert the dowel . Wipe away excess glue immediately.



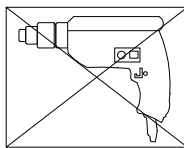
In future assembly steps when dowels are necessary to attach assembly parts together , place a small amount of glue on the end of the dowel before attaching parts together . Wipe away excess glue immediately.



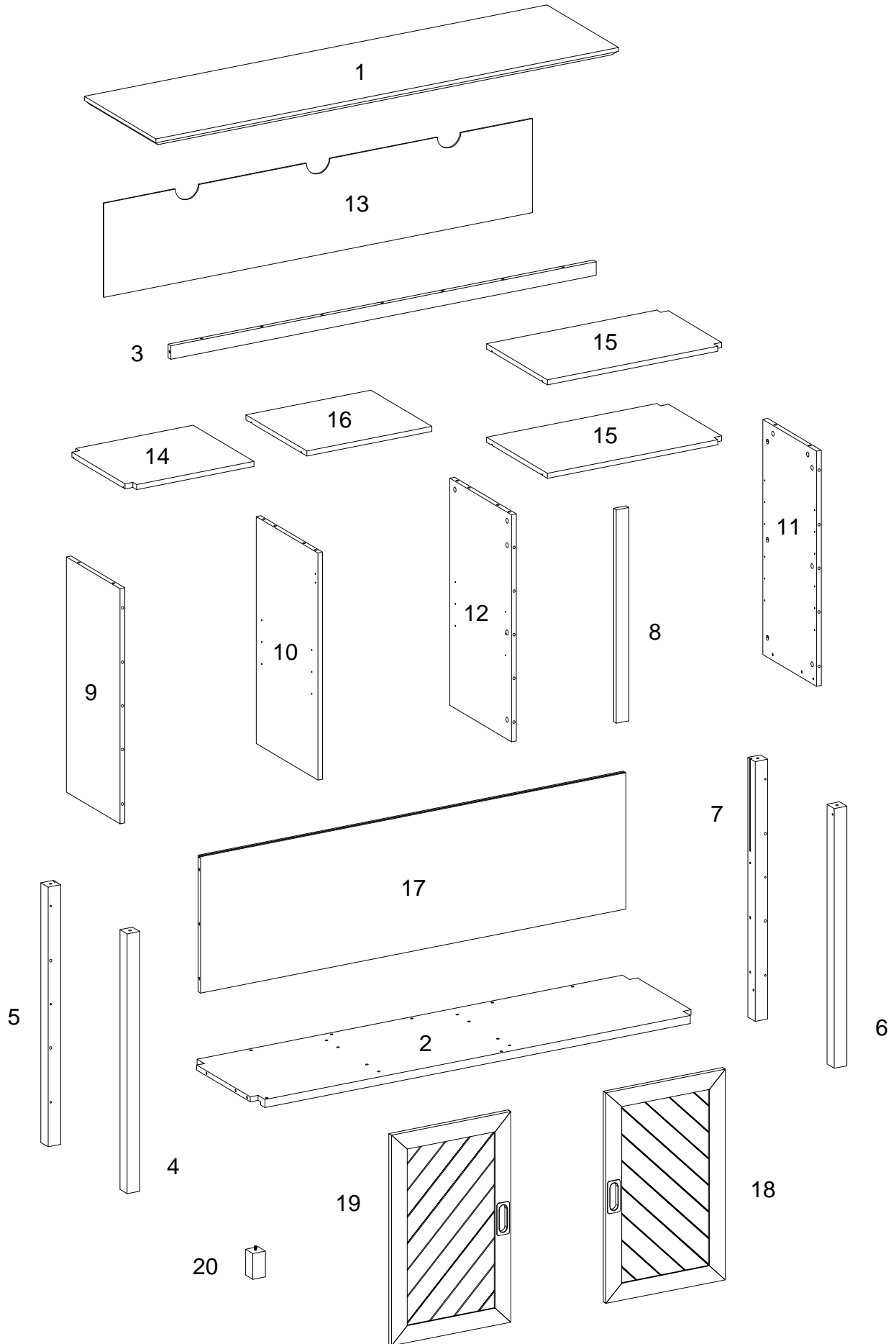
- VI. A Phillips head screwdriver is required for the assembly of this product .







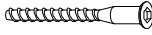

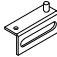
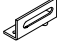
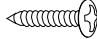






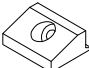

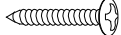



- VII. Power tools should not be used to assemble this product .

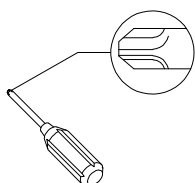


# Parts List



# Hardware List

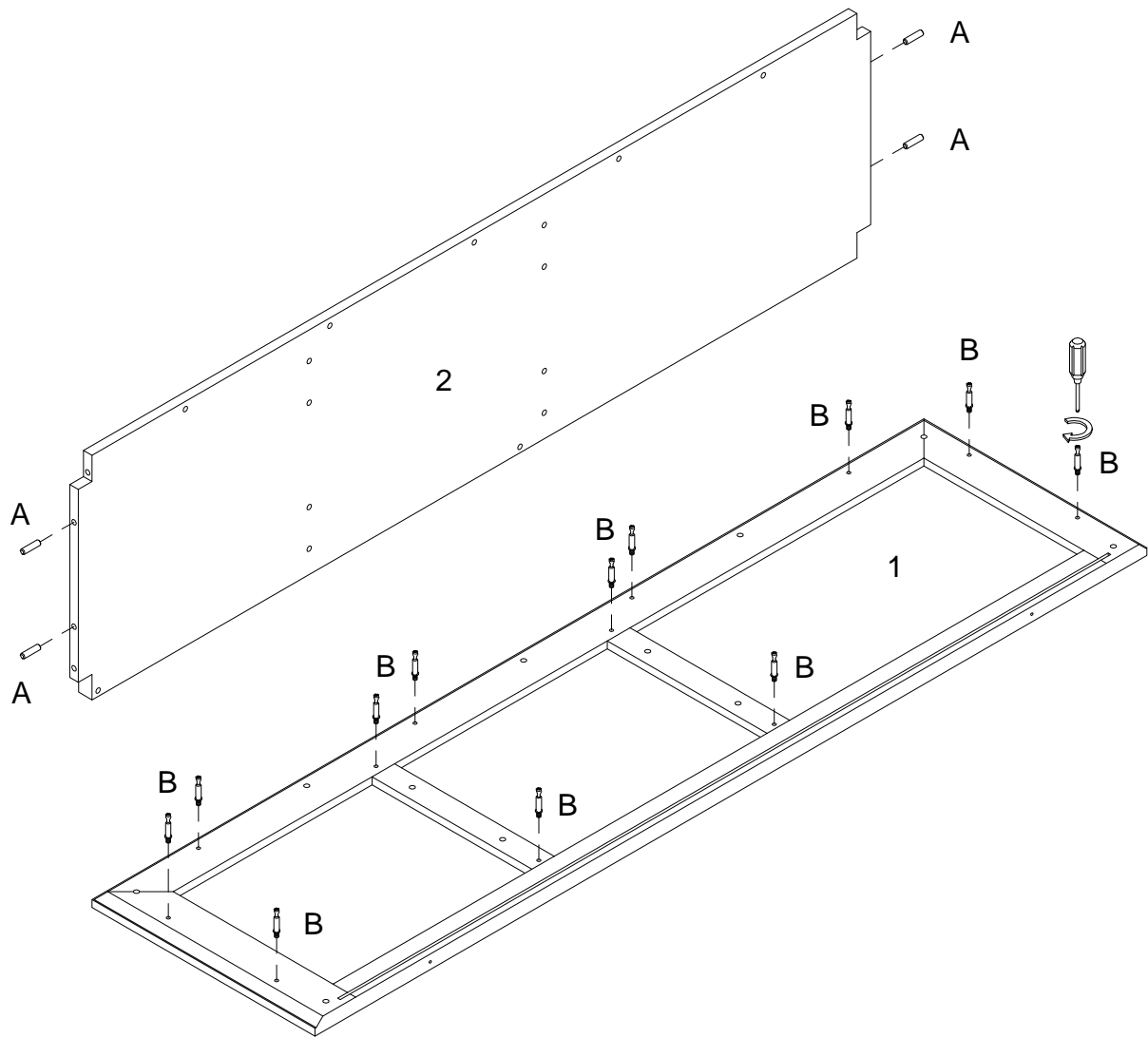
A		Ø8x30mm	Wooden dowel	33	pcs
B		Ø6x35mm	Cam bolt	37	pcs
C		Ø15x11mm	Cam lock	37	pcs
D		Ø30mm	Sticker	37	pcs
E		Ø6x50mm	Screw	7	pcs
F		M 4	Hex key	1	pc
G			Door Hinge	2	pcs
H			Door Hinge	2	pcs
J		Ø3x12mm	Screw	8	pcs
K			Magnetic touch	2	pcs
L		Ø3x15mm	Screw	4	pcs
M			Bolt	2	pcs
N			Plastic pivot	4	pcs
P			Shelf support pin	16	pcs
Q		Ø3x17mm	Screw	5	pcs
R			Plastic wedge	5	pcs
S		Ø4x12mm	Screw	2	pcs
T		Ø4x25mm	Screw	2	pcs
U			Plastic strap	2	pcs
V			Nut	2	pcs
W			Glue tube	1	pc



Philips head screwdriver required for assembly  
(not included)

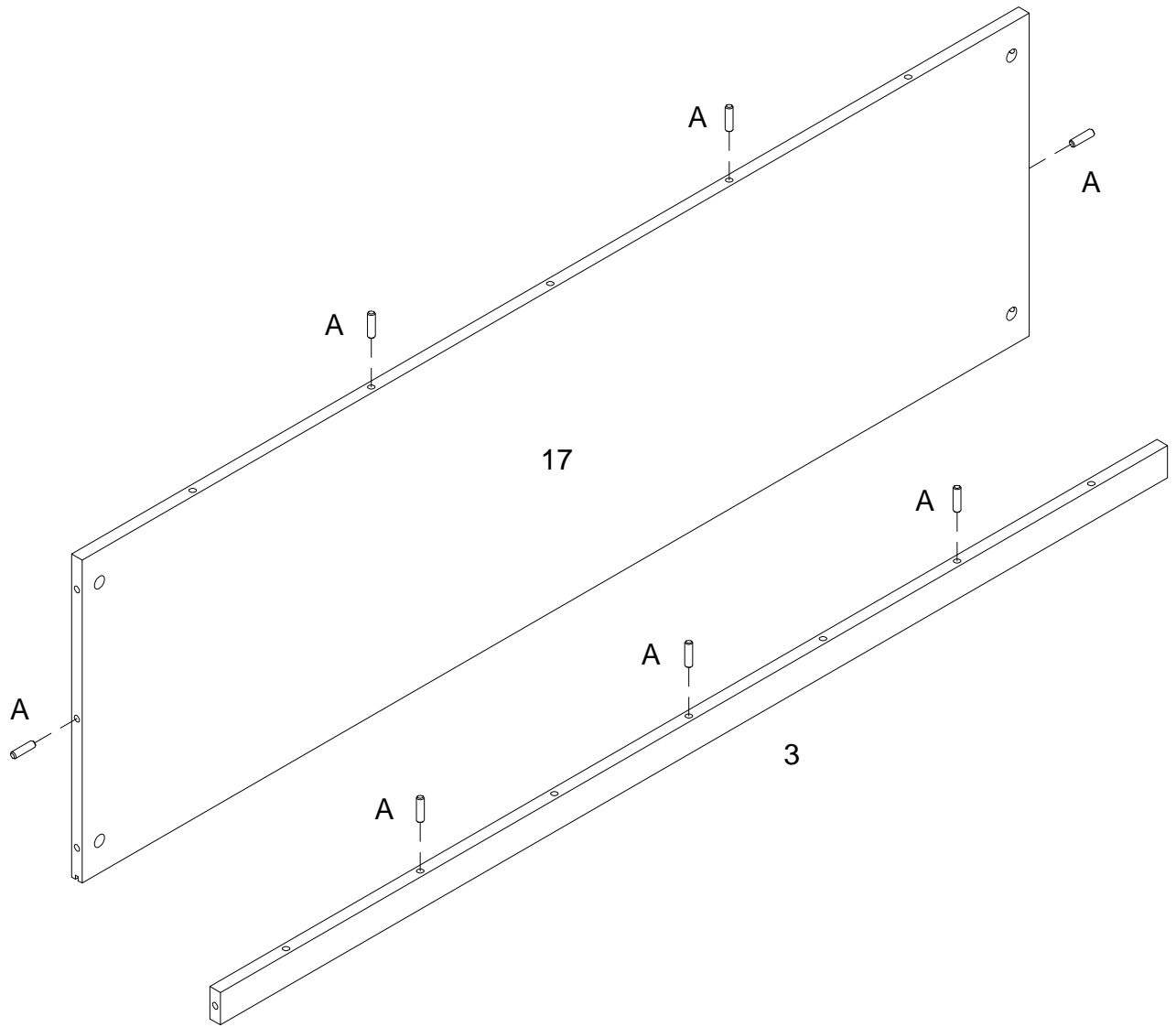
*The hardware quantities listed above are required for proper assembly.  
Some extra hardware may also have been included.*

# Step 1



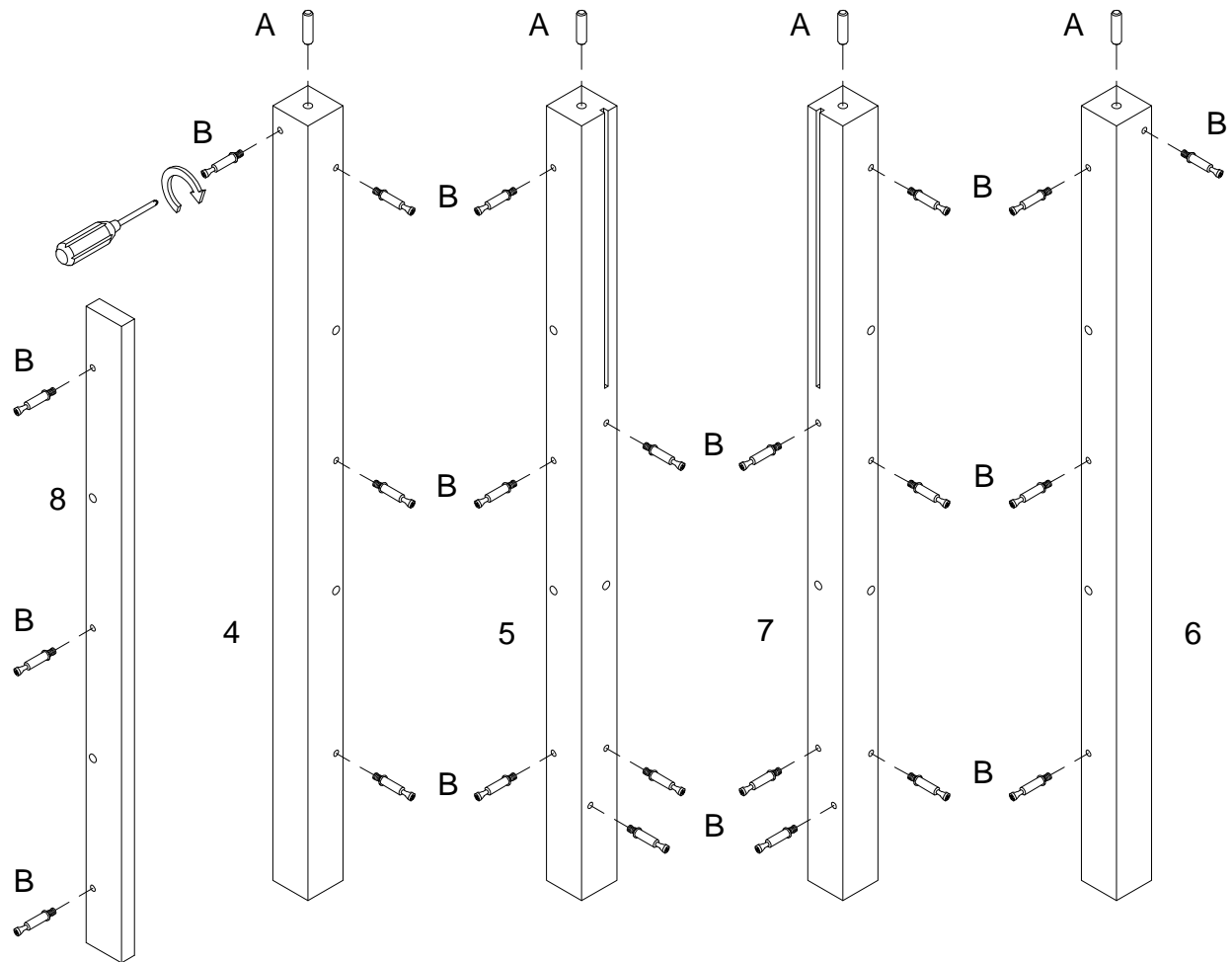
Insert wooden dowel (A) into part (2), then secure cam bolt (B) into part (1) with Philips head screwdriver as per diagram.

# Step 2



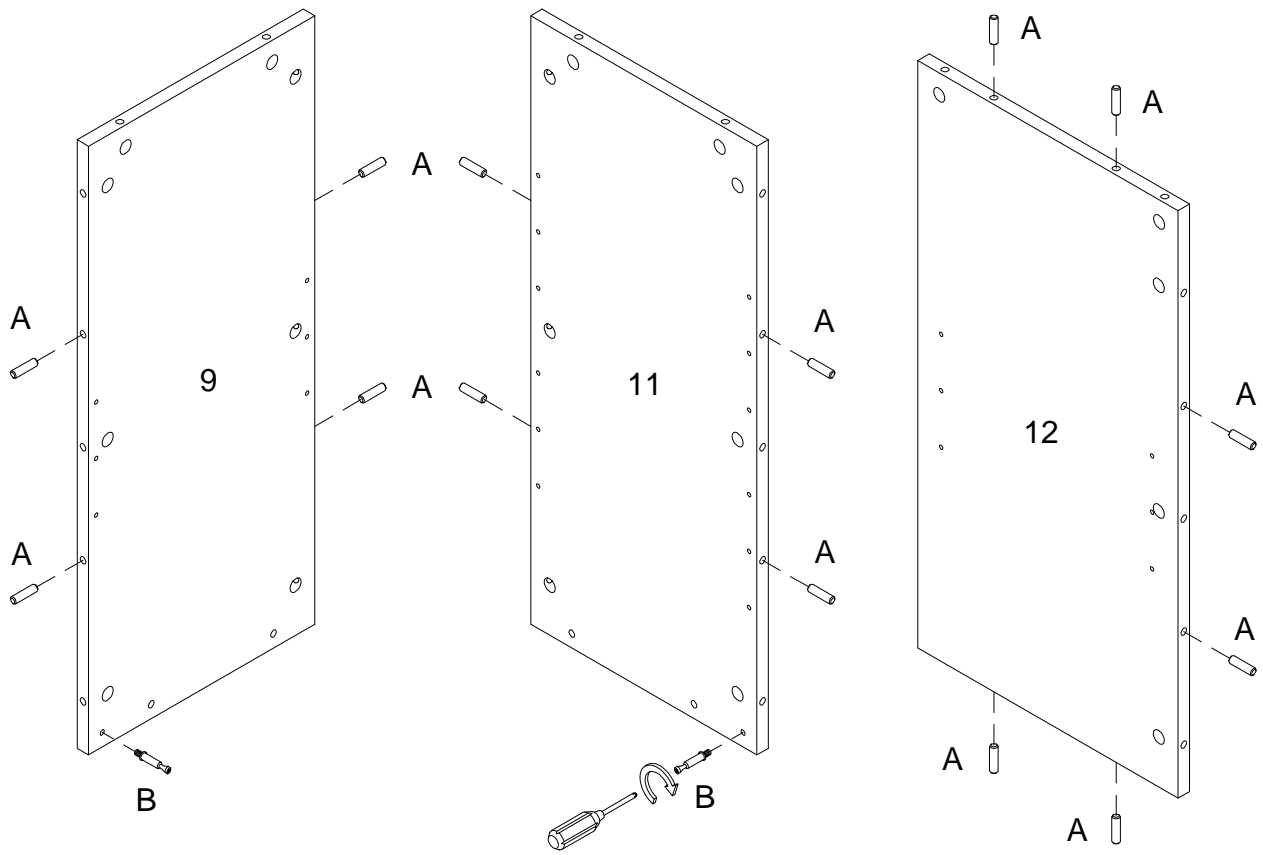
Insert wooden dowel (A) into part (3,17) as per diagram.

# Step 3



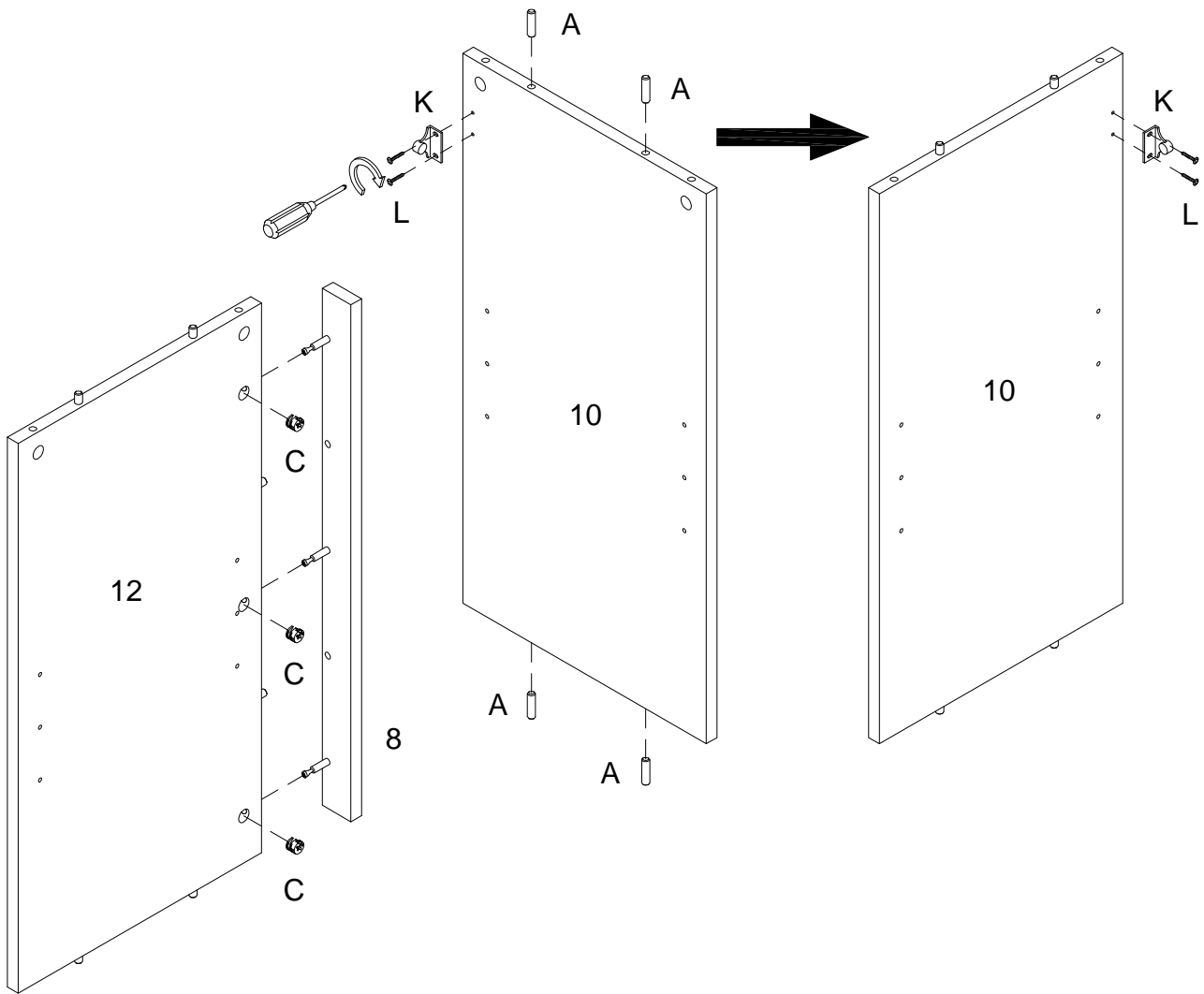
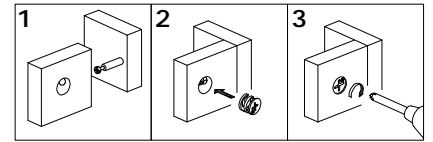
Insert wooden dowel (A) into parts (4,5,6,7), then secure cam bolt (B) into parts (4,5,6,7,8) with Philips head screwdriver as per diagram.

# Step 4



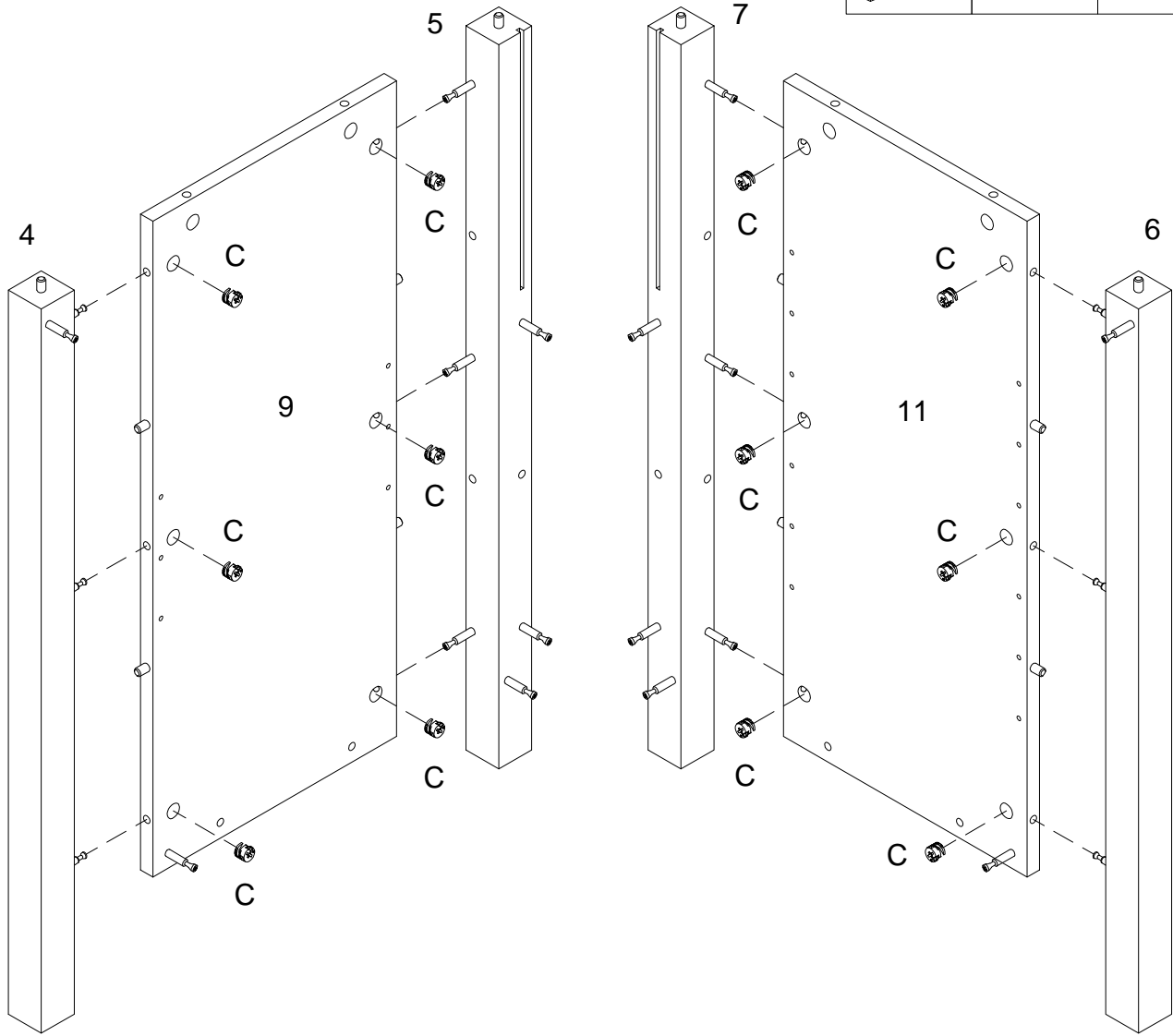
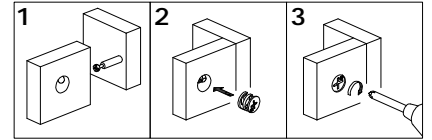
Insert wooden dowel (A) into parts (9,11,12) as per diagram.

# Step 5



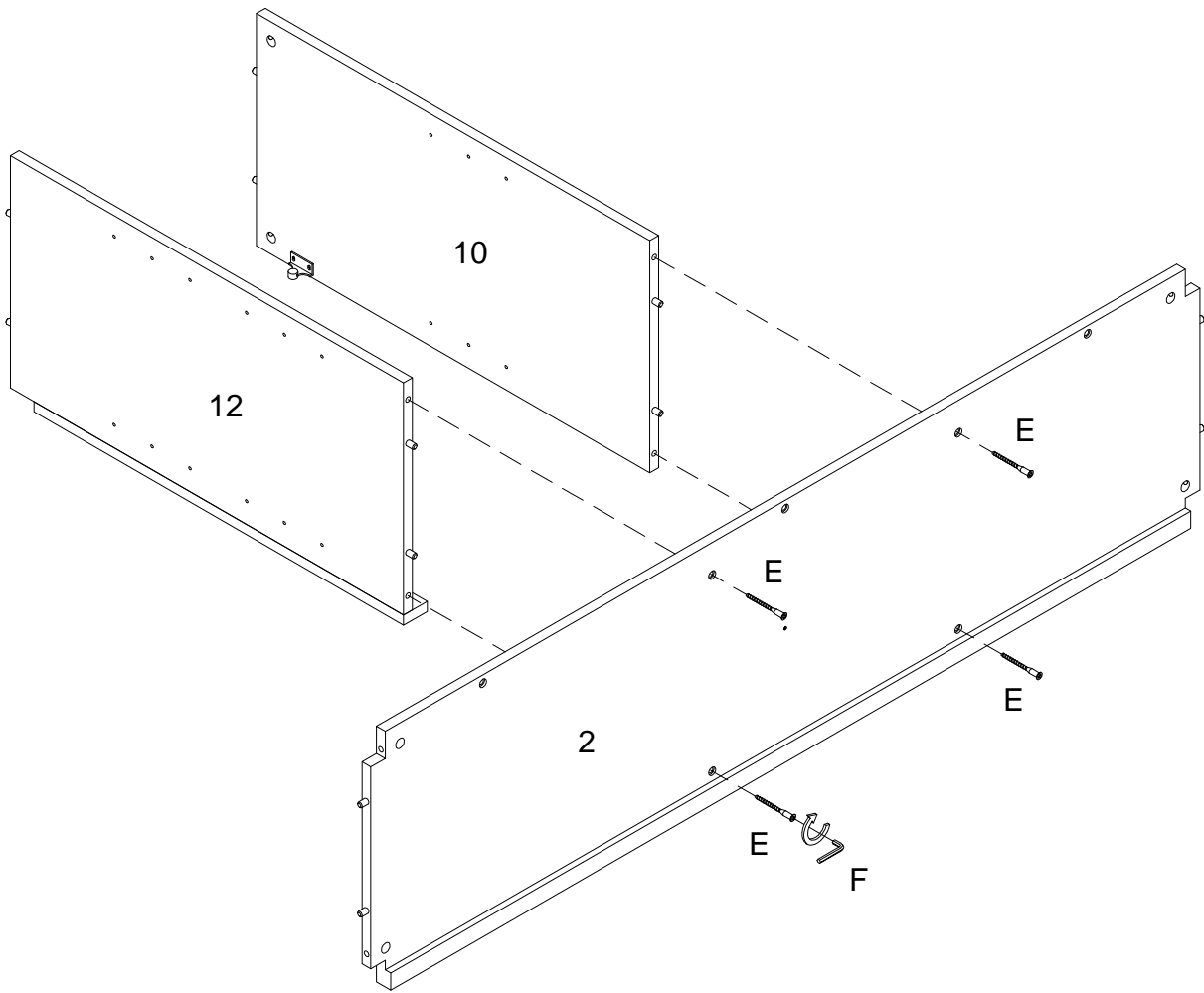
Insert wooden dowel (A) into part (10), using screw (L) attach magnetic touch (K) to part (10) and using cam lock (C) secure part (8) to part (12) with Philips head screwdriver as per diagram.

# Step 6



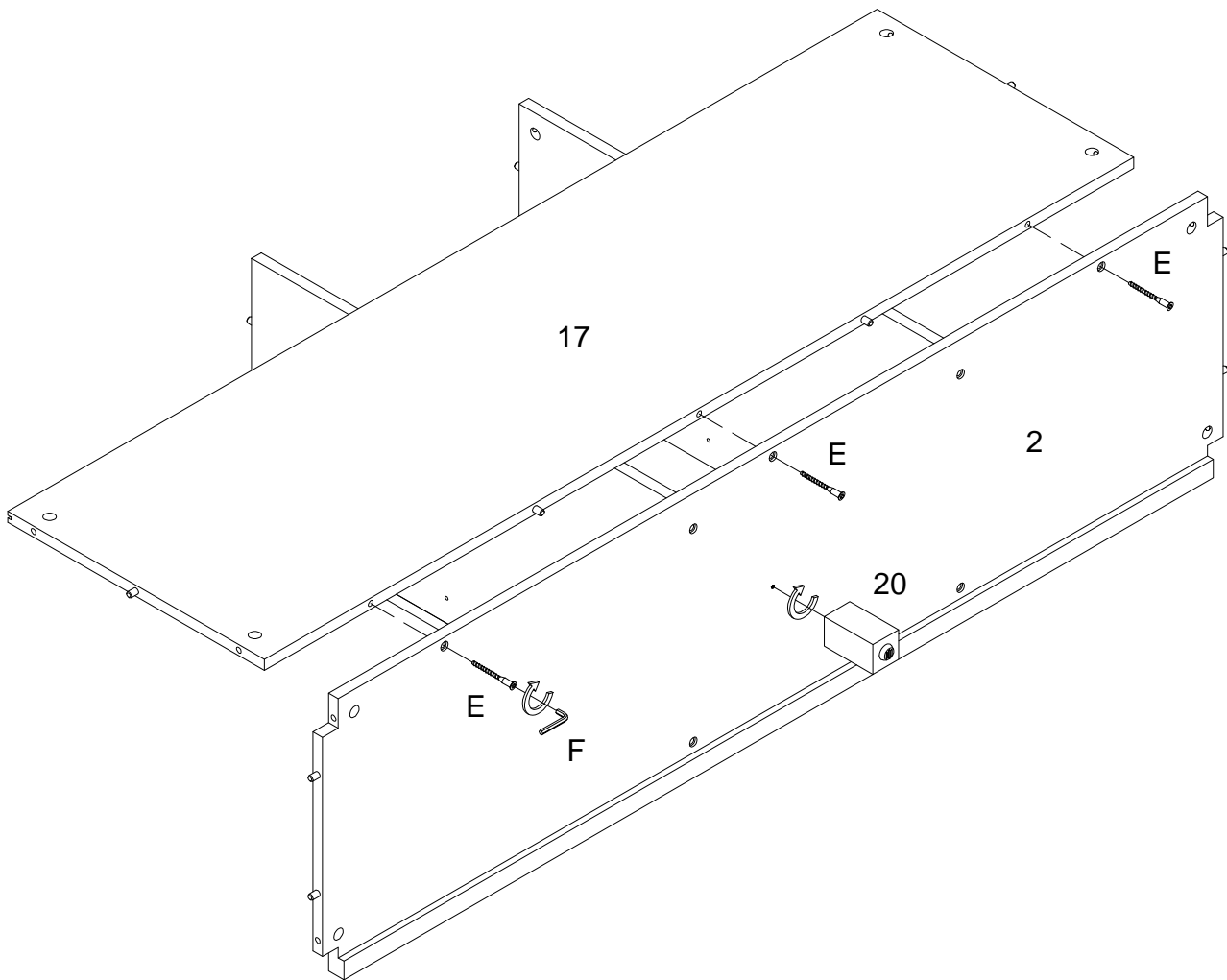
Using cam lock (C) secure parts (4,5) to part (9), parts (6,7) to part (11) with Philips head screwdriver as per diagram.

# Step 7



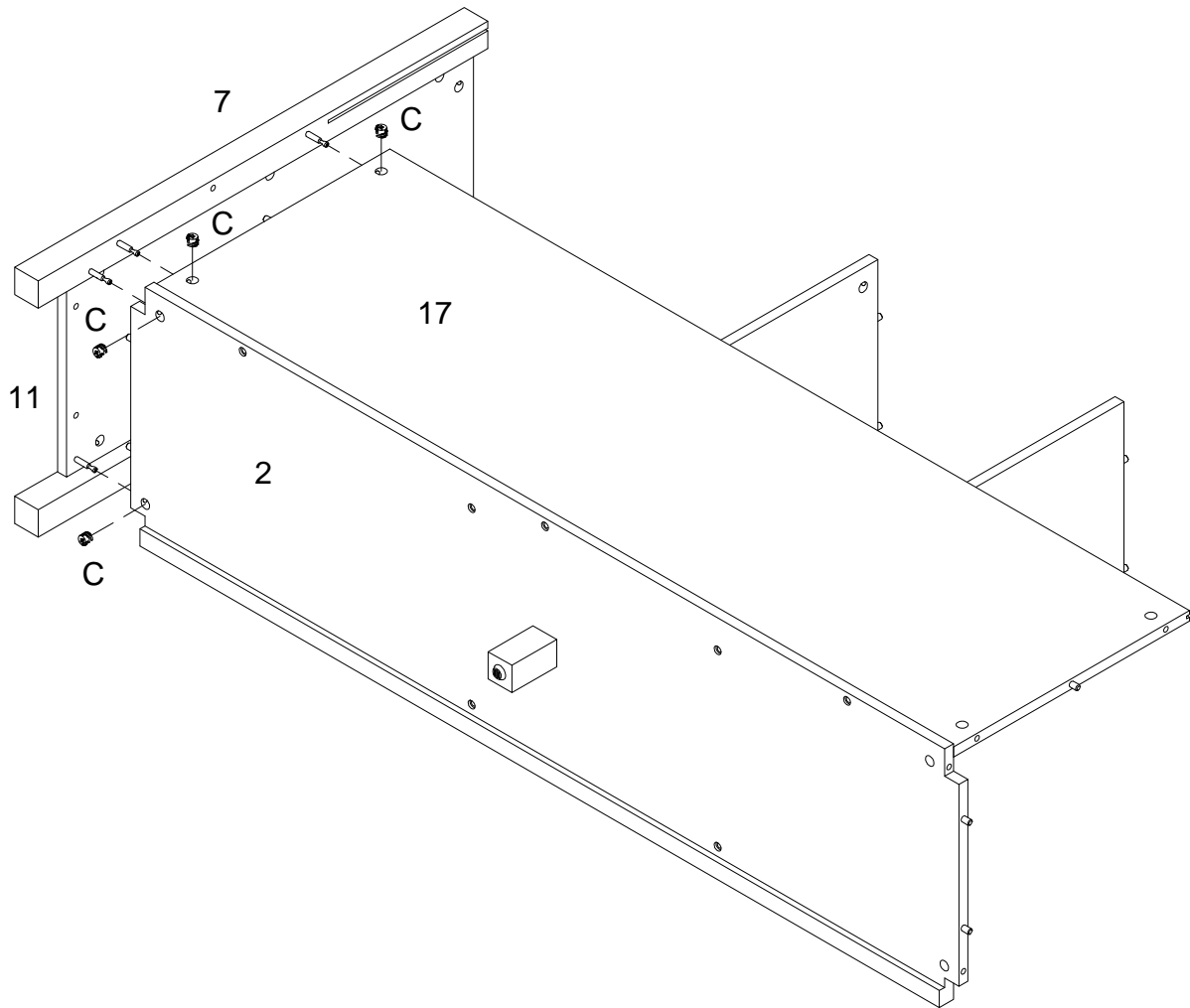
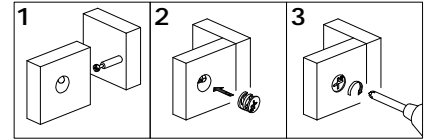
Using screw (E) attach part (2) to parts (10,12) with hex key (F) as per diagram.

# Step 8



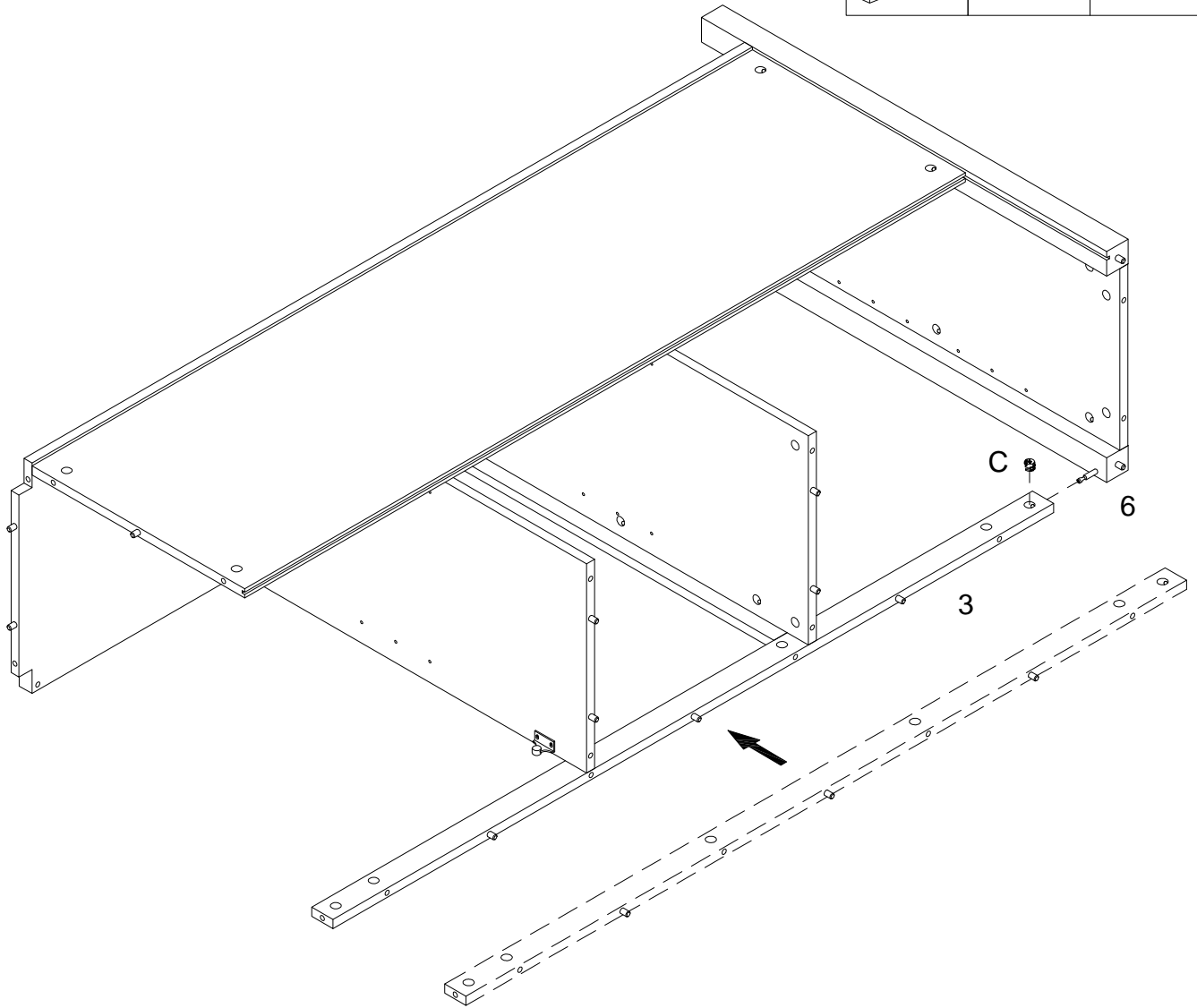
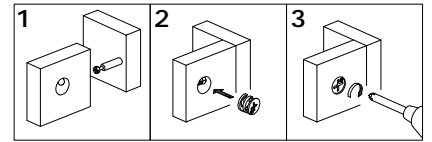
Using screw (E) attach part (2) to part (17) with hex key (F), and attached part (20) to part (2) as per diagram.

# Step 9



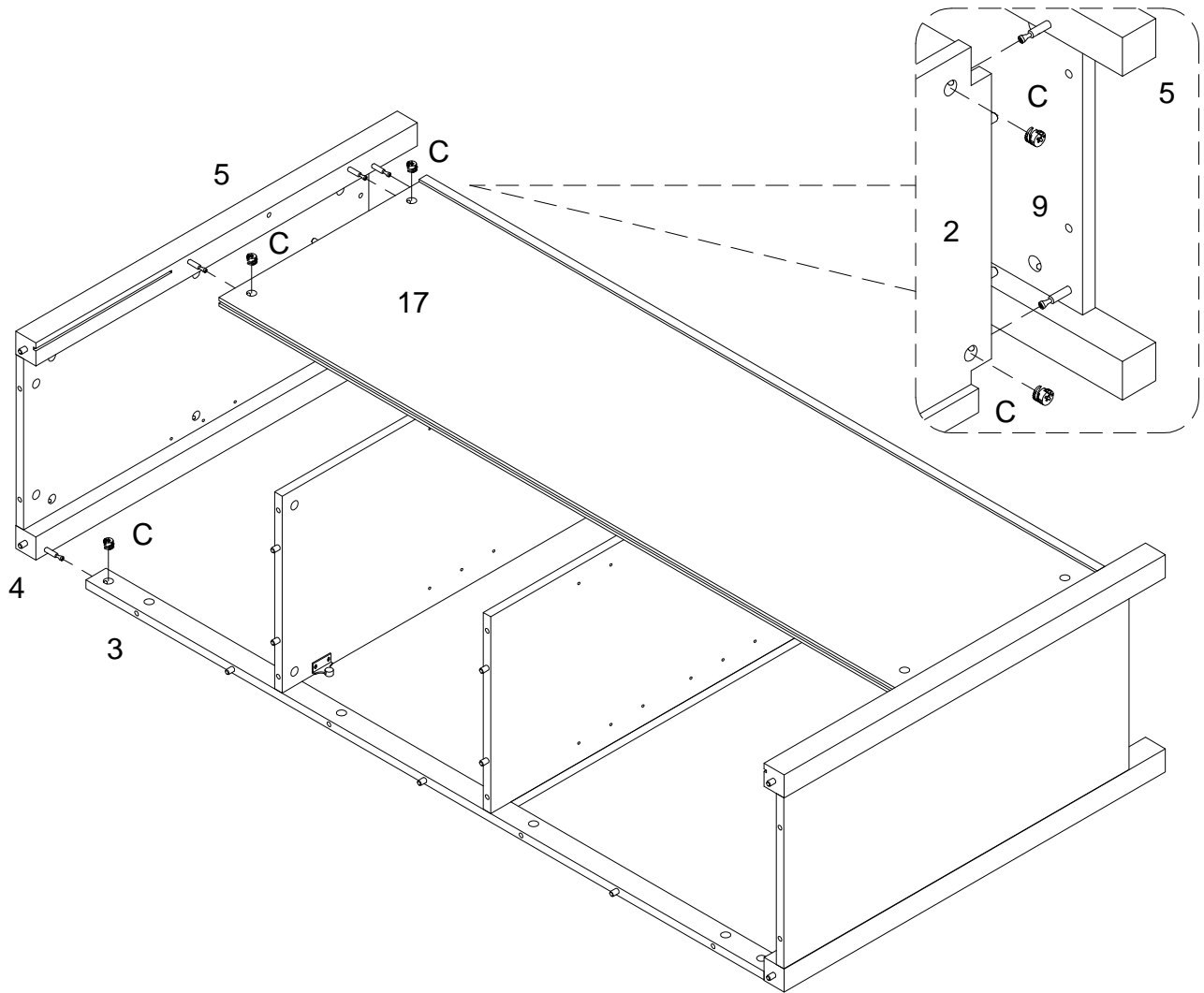
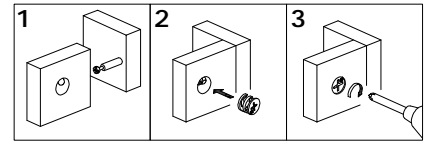
Using cam lock (C) secure parts (7,11) to parts (2,17) with Philips head screwdriver as per diagram.

# Step 10



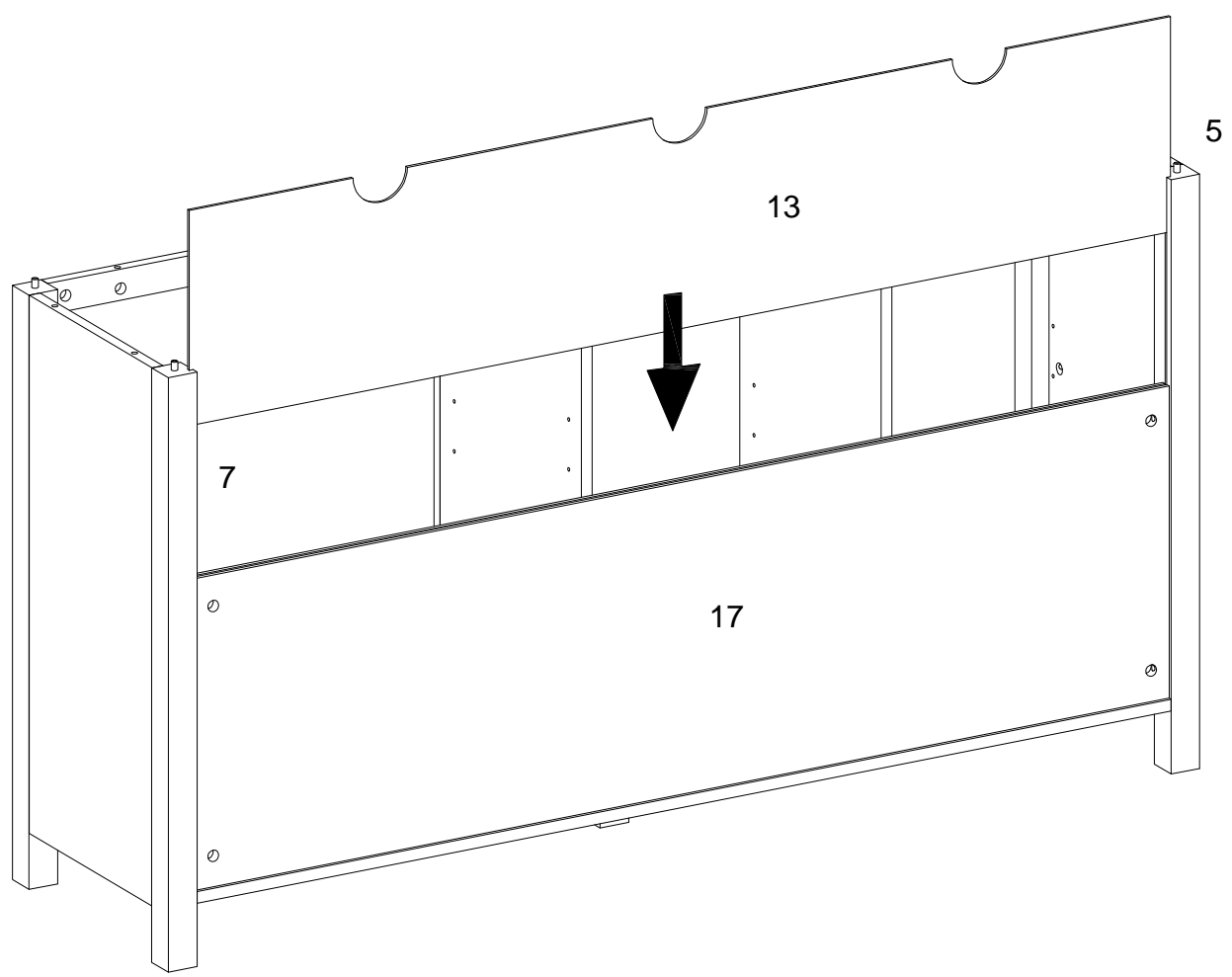
Using cam lock (C) secure part (6) to part (3) with Philips head screwdriver as per diagram.

# Step 11



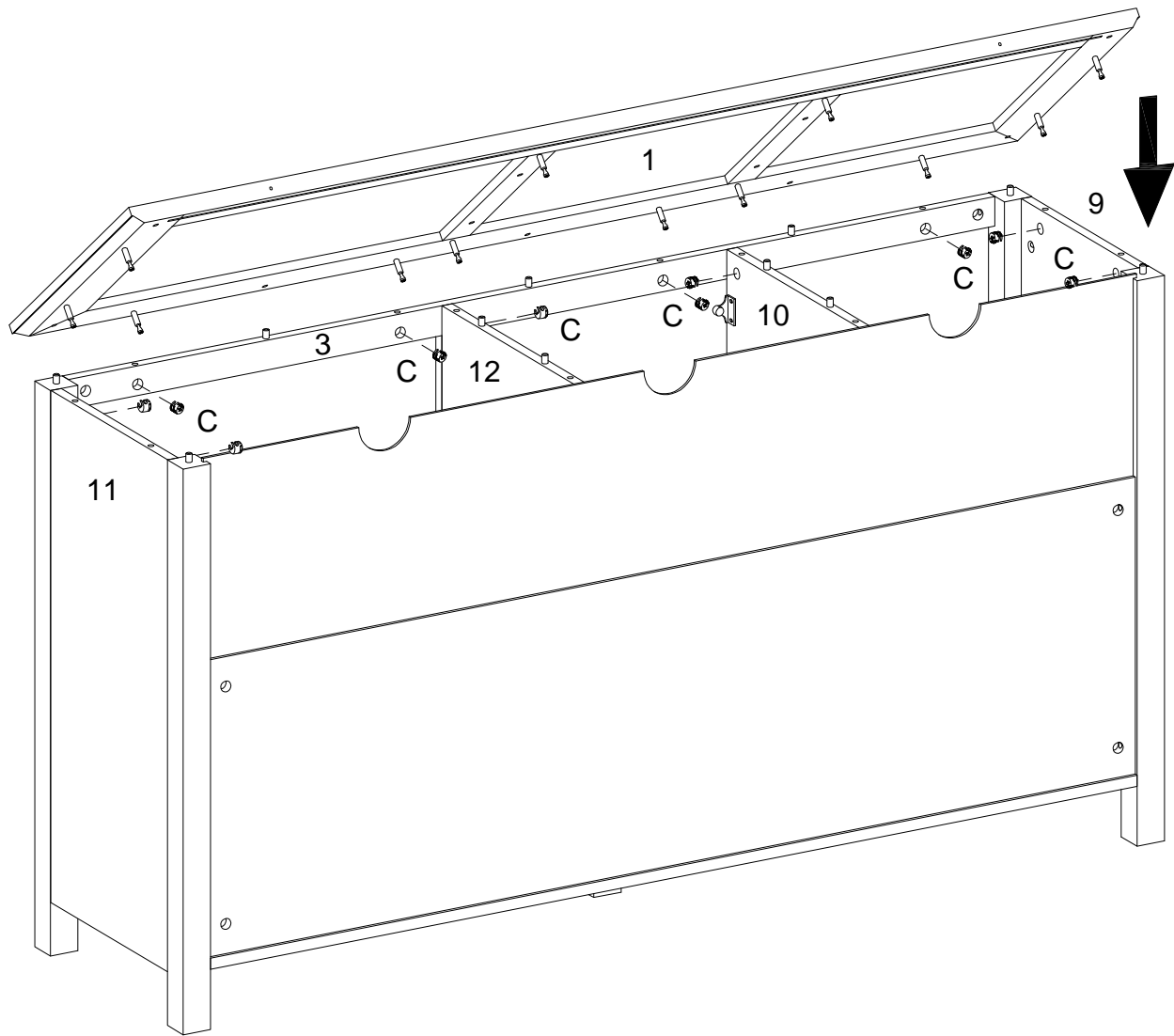
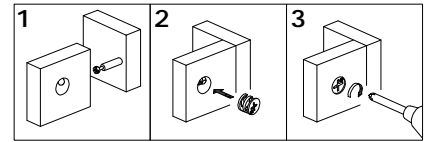
Using cam lock (C) secure part (4) to part (3) ,parts (5,9) to parts (2,17) with Philips head screwdriver as per diagram.

# Step 12



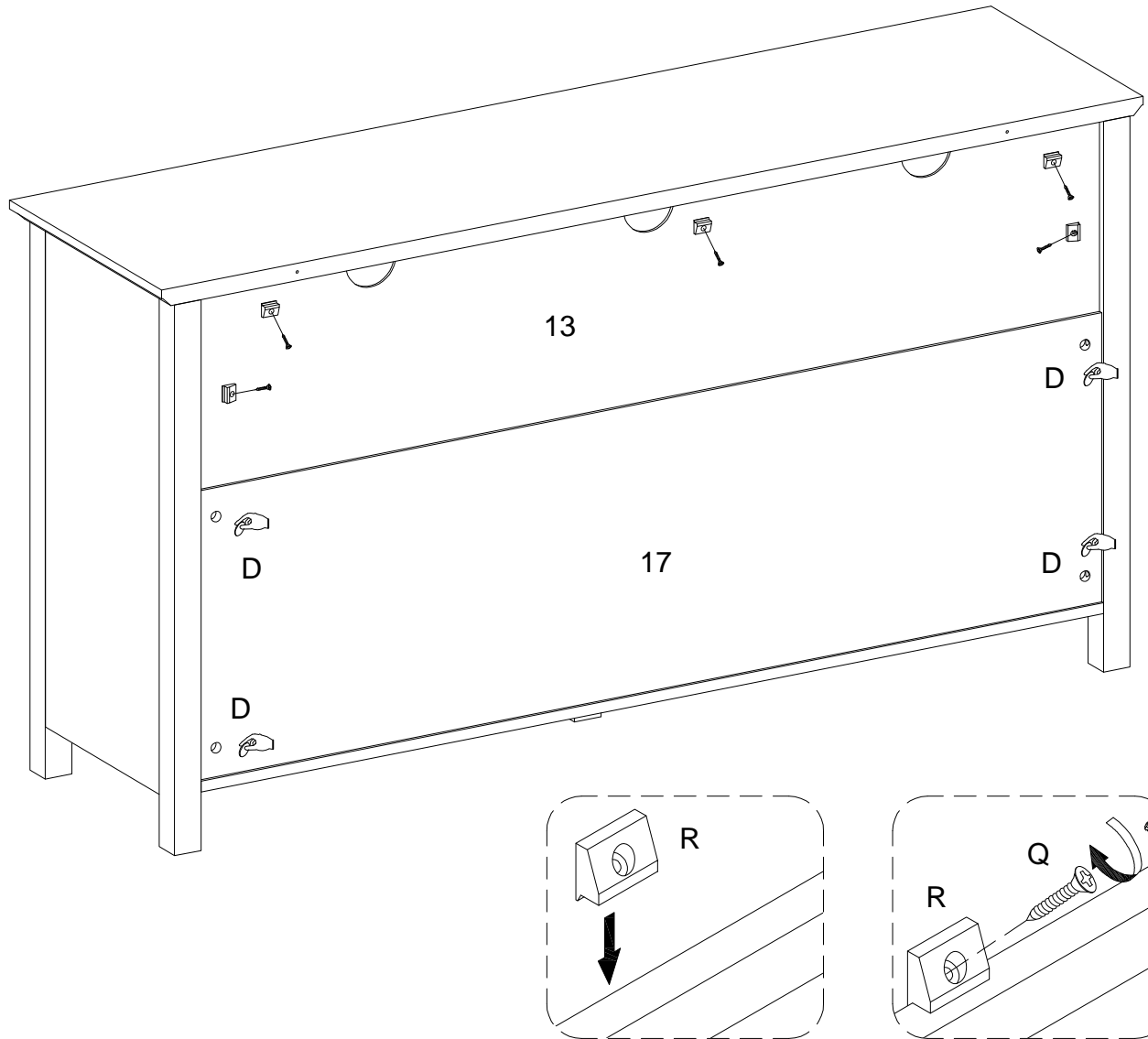
Put part (13) as per diagram.

# Step 13



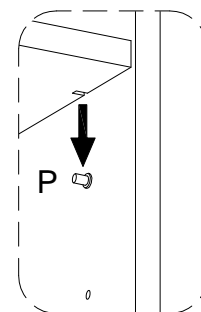
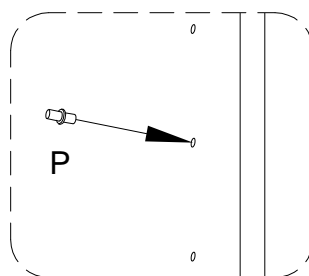
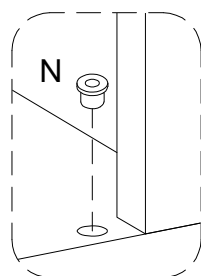
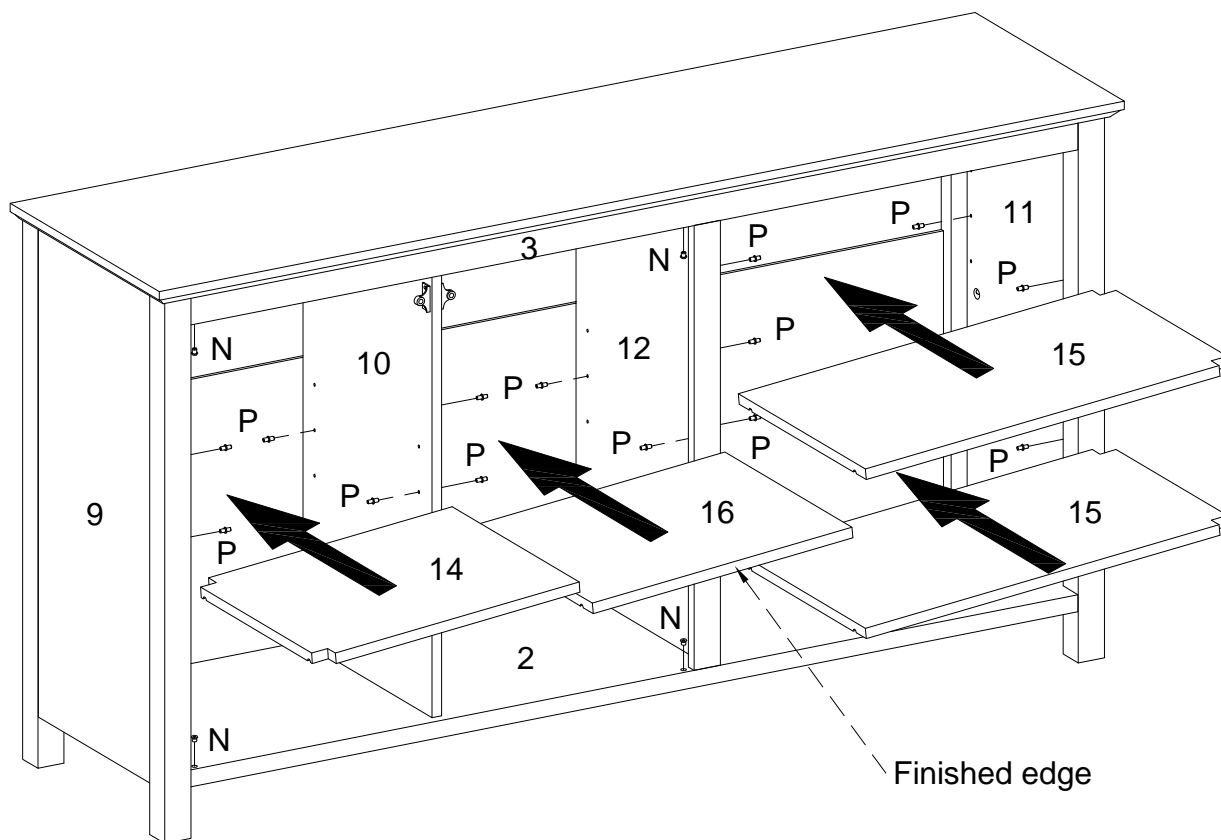
Using cam lock (C) secure part (1) to parts (3,9,10,11,12) with Philips head screwdriver as per diagram.

# Step 14



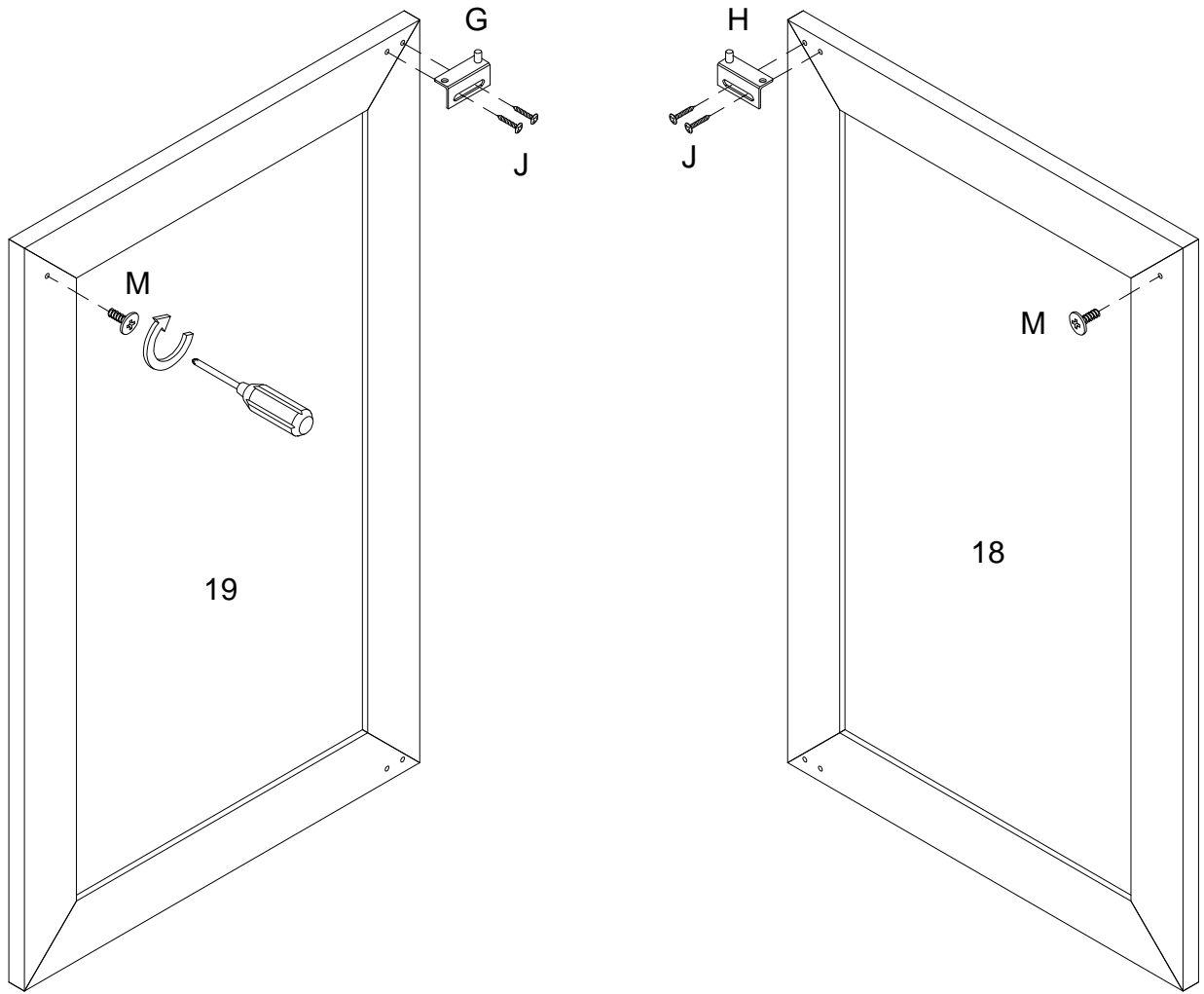
Using screw (Q) secure plastic wedge (R) with Philips head screwdriver ,then place stickers (D) cover the holes as per diagram.

# Step 15



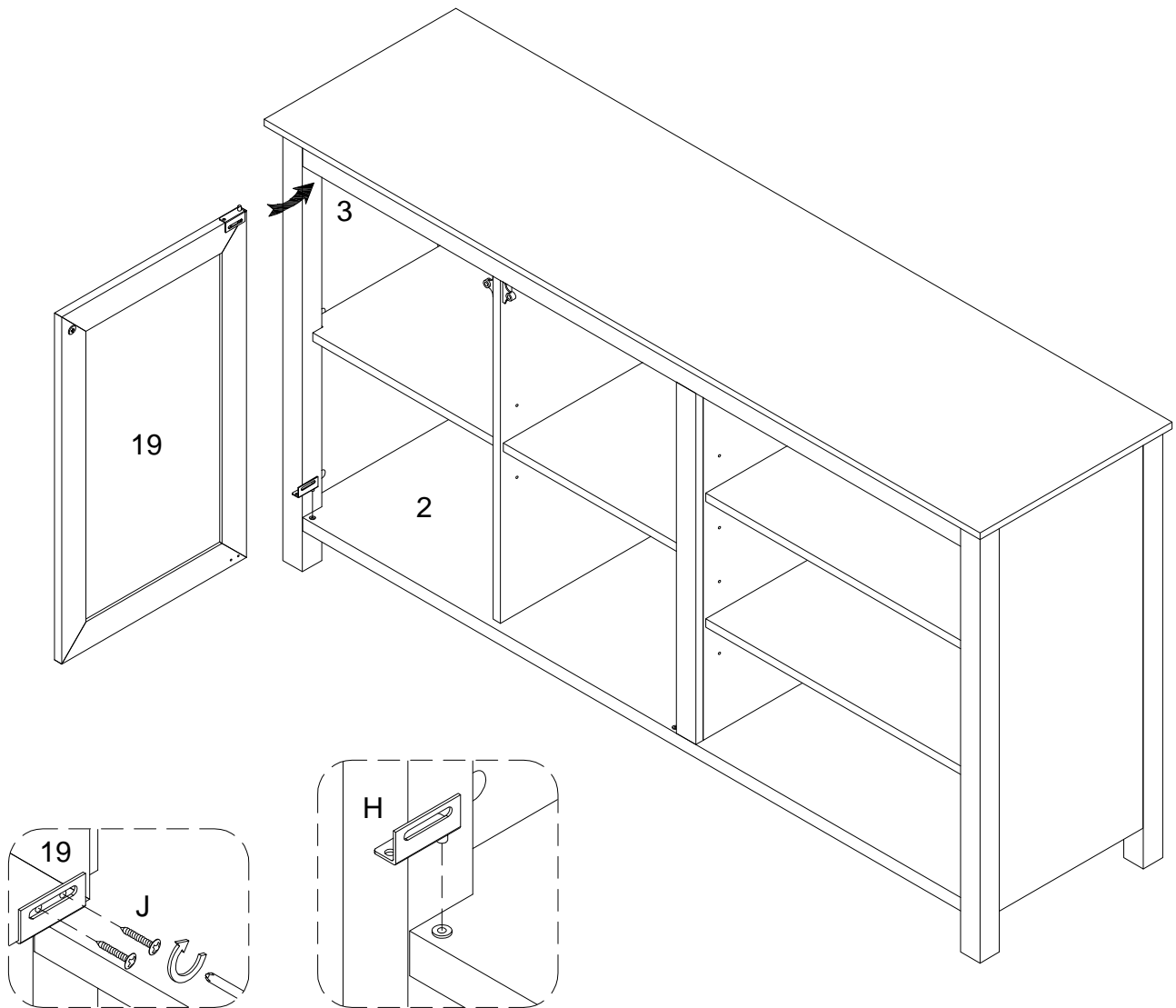
Insert plastic pivot (N) to parts (2,3) ,and insert shelf support pin (P) into parts (9,10,11,12) as per diagram. Make sure you place the four shelf support pins (P) in the same level. So the shelf is not titled .Put adjustable shelf panels into unit as per diagram. Tilt and rest the adjustable shelf onto the shelf support pins .

# Step 16



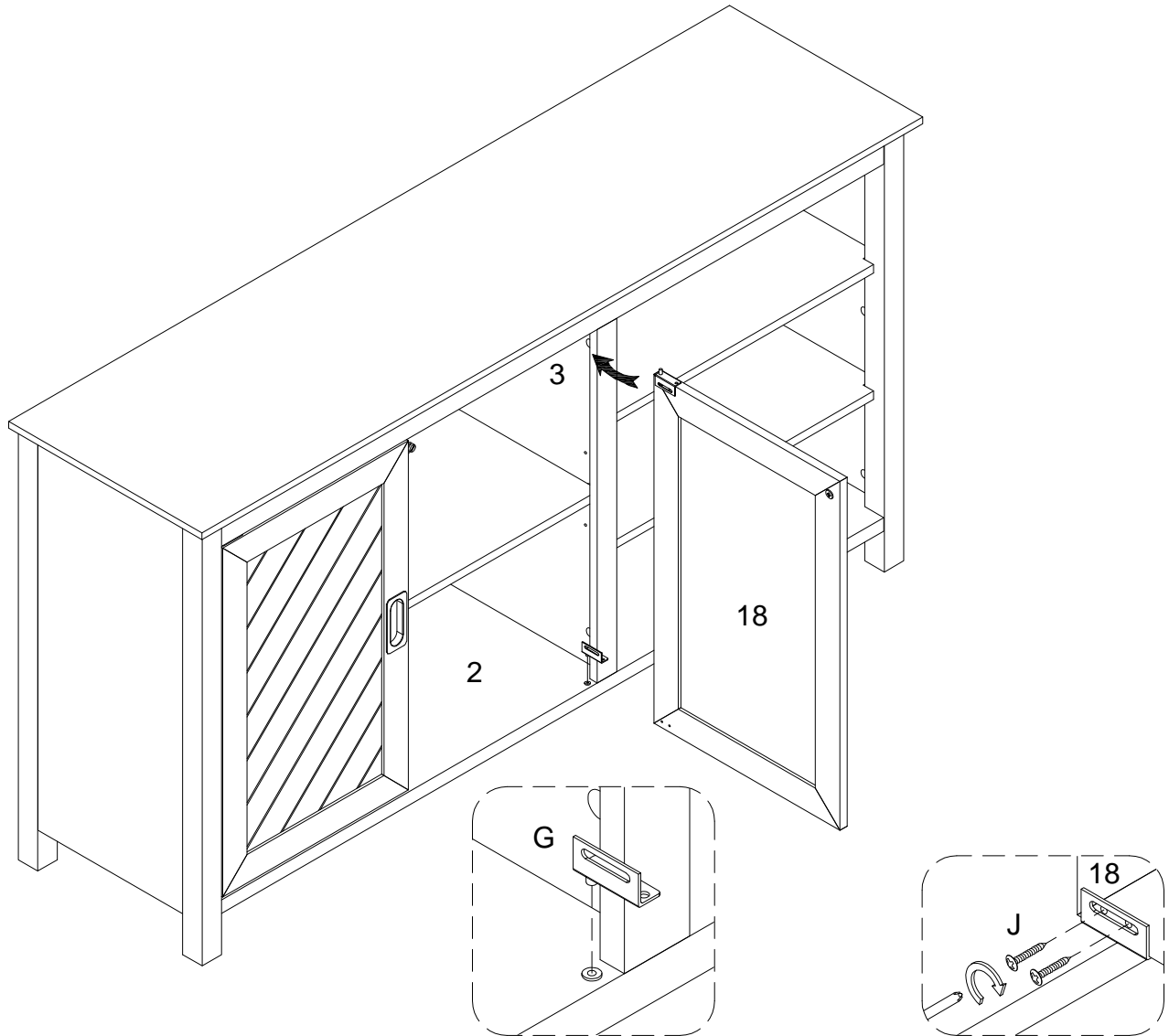
Using screw (J) attach door hinge (H) to parts (18) ,(G) to part (19) ,and secure bolt (M) into parts (18,19) with Philips head screwdriver as per diagram.

# Step 17



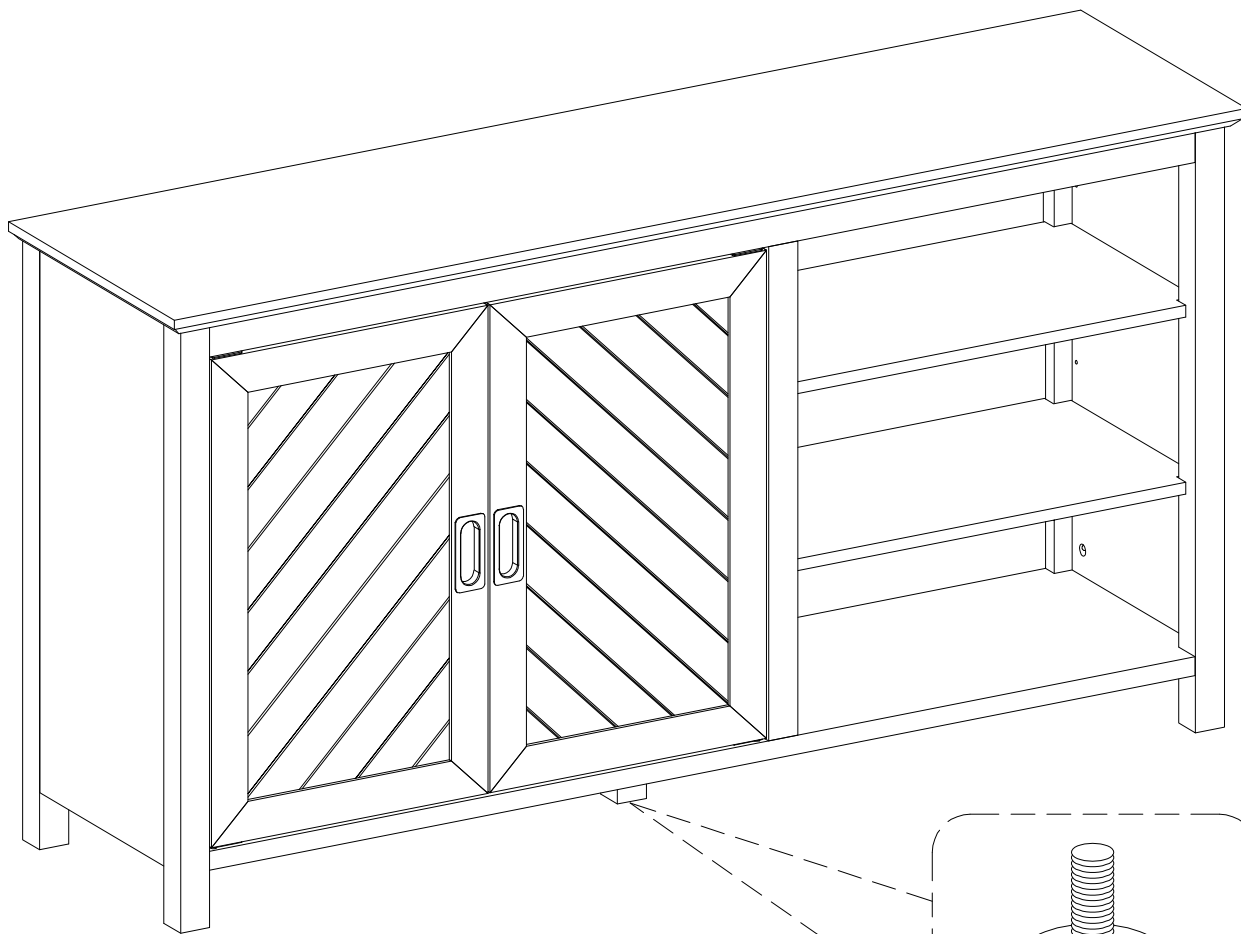
Insert top door hinge (G) into plastic pivot on part (3), then slide the door (19) into bottom door hinge (H). Secure door by tightening door hinge using screws (J) with equal pressure as per diagram.

# Step 18



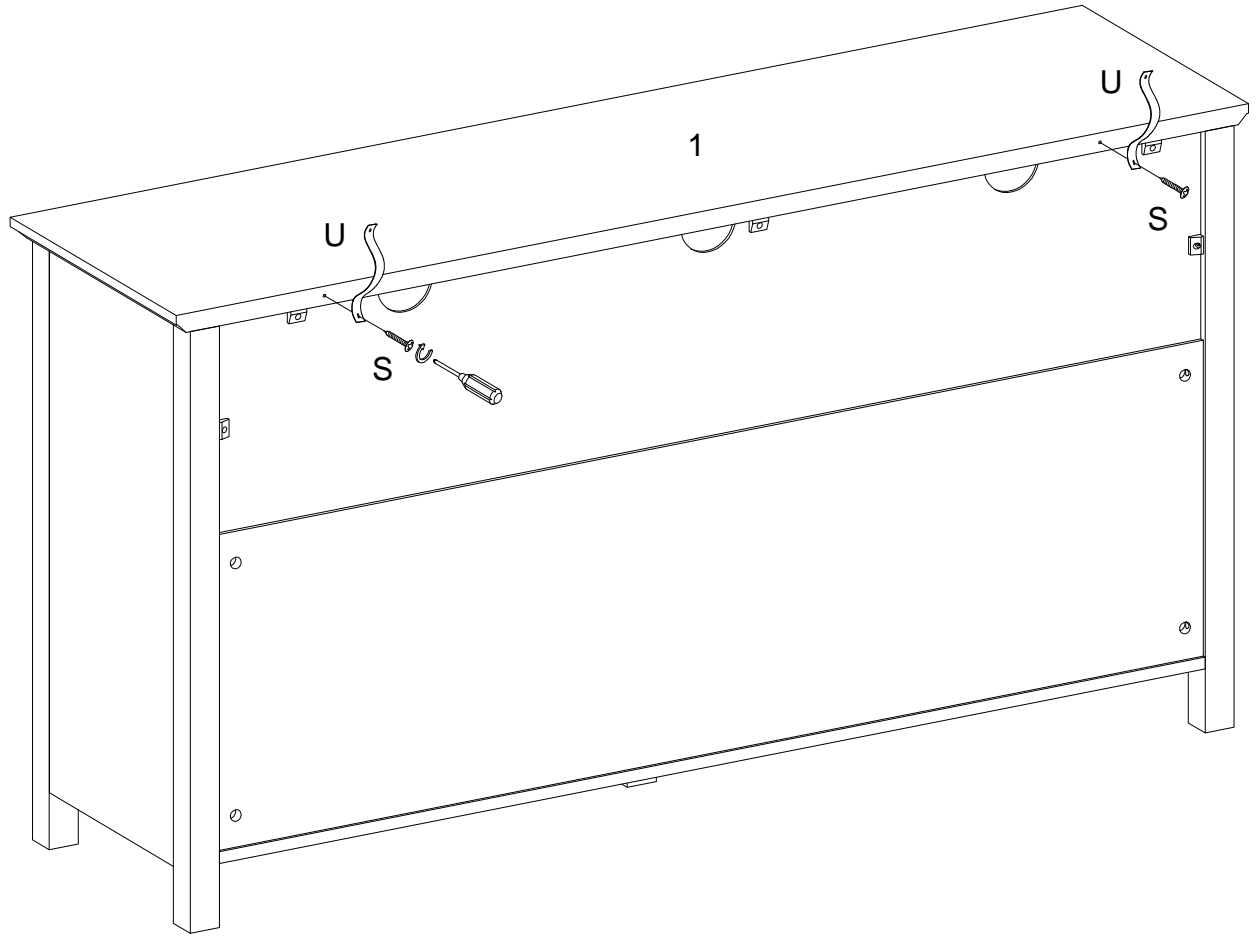
Insert top door hinge (H) into plastic pivot on part (3), then slide the door (18) into bottom door hinge (G). Secure door by tightening door hinge using screws (J) with equal pressure as per diagram.

# Step 19



If necessary, adjust the pre-attached Floor Levelers at the bottom of legs to level the unit.

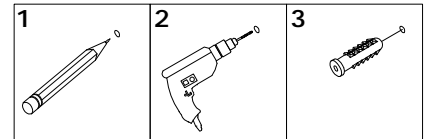
# Step 20



Using screw (S) attach Velcro strap (U) into part (1) with Philips head screwdriver as per diagram.

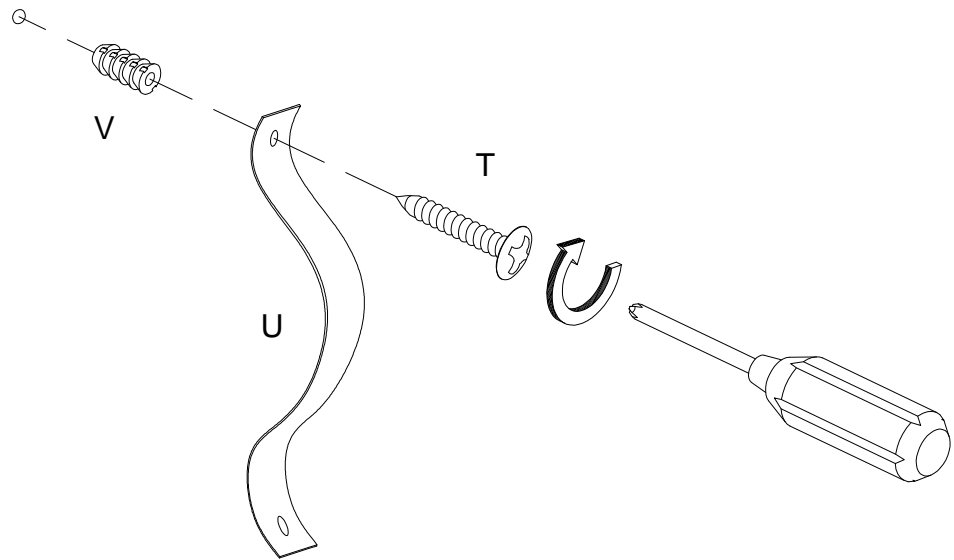
# Step 21

## WARNING



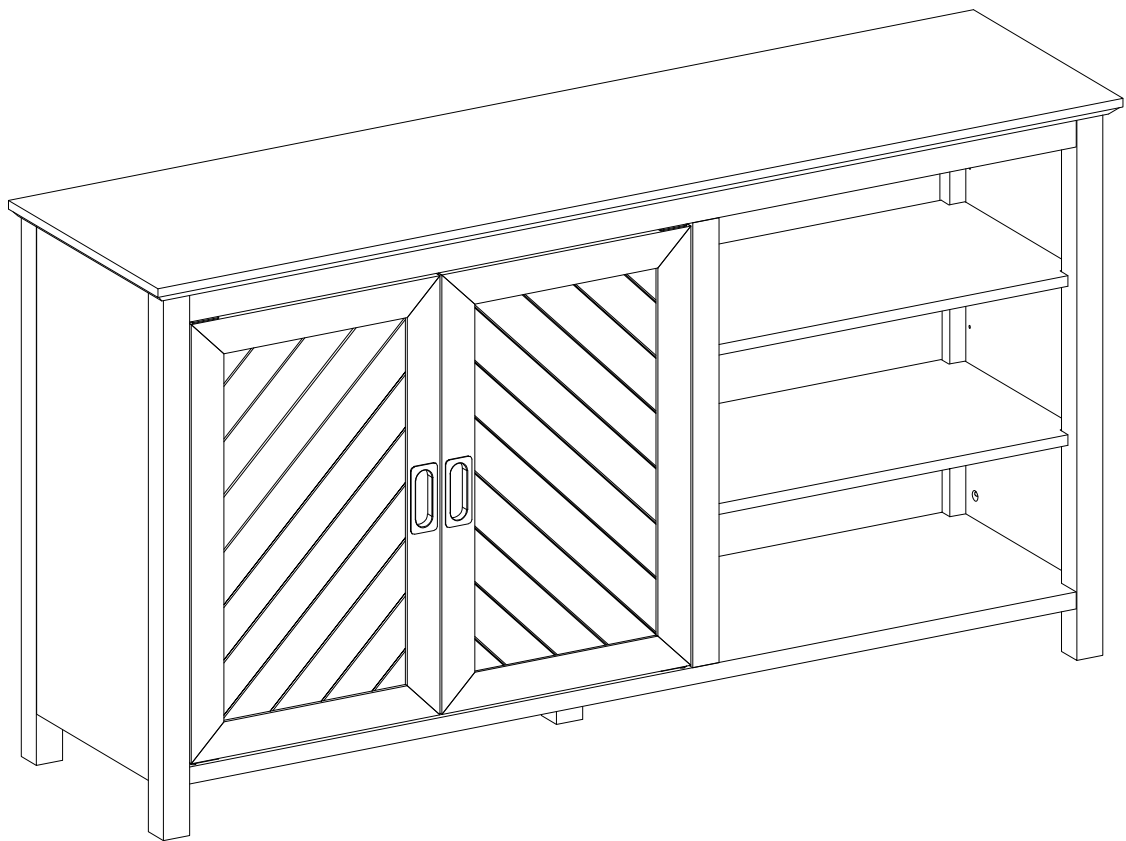
Serious or fatal injuries can occur from furniture tipping over. To prevent the furniture from tipping over we recommend that it is permanently fixed to the wall. Wall anchor and hardware are included with this product. Please make sure hardware is suitable for your walls before installing, as different wall materials may require different types of anchors.

Wall



Using screw (T) attach Velcro strap (U) into Nut (V) to wall with Philips head screwdriver as per diagram.

# Step 22



## Final Assembly